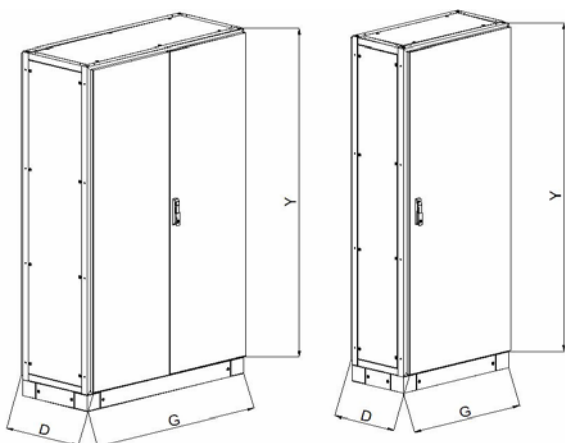


**DT 1000 SERIE FLOORSTANDING TYPE MODULAR "F" CABINETS (IP 55)**


Width (G)	Height (Y)	Depth (D)	Ref. No	
500	2000	400	<b>115.204.F</b>	
		500	<b>115.205.F</b>	
		600	<b>115.206.F</b>	
		800	<b>115.208.F</b>	
600	1200	400	<b>116.124.F</b>	
		500	<b>116.125.F</b>	
		600	<b>116.126.F</b>	
		800	<b>116.164.F</b>	
	1600	400	<b>116.164.F</b>	
		500	<b>116.165.F</b>	
		600	<b>116.166.F</b>	
		800	<b>116.184.F</b>	
	1800	400	<b>116.184.F</b>	
		500	<b>116.185.F</b>	
		600	<b>116.186.F</b>	
		800	<b>116.188.F</b>	
2000	400	<b>116.204.F</b>		
	500	<b>116.205.F</b>		
	600	<b>116.206.F</b>		
	800	<b>116.208.F</b>		
800	2200	600	<b>116.226.F</b>	
		1200	400	<b>118.124.F</b>
			500	<b>118.125.F</b>
			600	<b>118.126.F</b>
	1600		400	<b>118.164.F</b>
		500	<b>118.165.F</b>	
		600	<b>118.166.F</b>	
		1800	400	<b>118.184.F</b>
	500		<b>118.185.F</b>	
	600		<b>118.186.F</b>	
	800		<b>118.188.F</b>	

**Material :**

Body : 1,50 mm SHEET STEEL  
 Front Door : 2,00 mm SHEET STEEL  
 Side Panels : 1,20 mm SHEET STEEL  
 Mounting Plate : 2,00 mm GALVANIZED STEEL

**Surface Finishing :**

SHEET STEEL parts ; Iron phosphated and powder coated in textured RAL 7035

**Protection Category :**

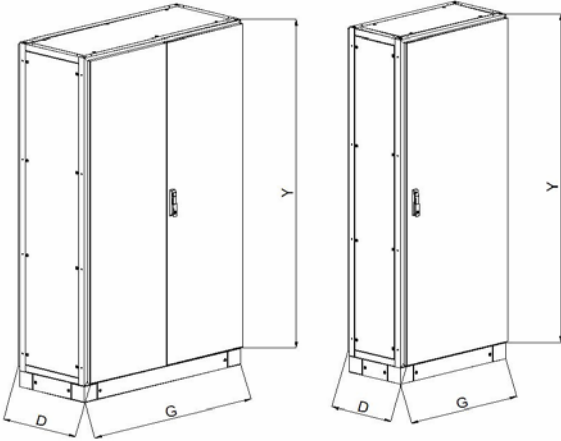
IP55 ( EN 60 529)  
 Polyurethane Sealing Gasket

**Supply Includes :**

Body, Front Door , Rear Panel , Normal Roof ,  
 Gland Plate , Mounting Plate , 100 mm Plinth ,  
 1 pair Side Panels.

# DT 1000 SERIE

## DT 1000 SERIE FLOORSTANDING TYPE MODULAR "F" CABINETS (IP 55)



### Material :

Body : 1,50 mm SHEET STEEL  
 Front Door : 2,00 mm SHEET STEEL  
 Side Panels : 1,20 mm SHEET STEEL  
 Mounting Plate : 2,00 mm GALVANIZED STEEL

### Surface Finishing :

SHEET STEEL parts ; Iron phosphated and powder coated in textured RAL 7035

### Protection Category :

IP55 ( EN 60 529)  
 Polyurethane Sealing Gasket

### Supply Includes :

Body, Front Door , Rear Panel , Normal Roof , Gland Plate , Mounting Plate , 100 mm Plinth , 1 pair Side Panels.

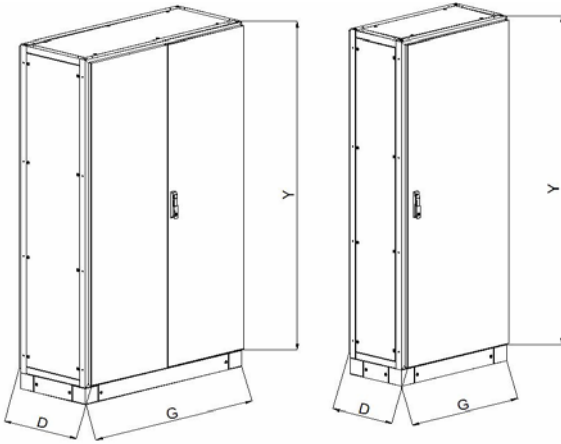
Width (G)	Height (Y)	Depth (D)	Ref. No
800	2000	400	<b>118.204.F</b>
		500	<b>118.205.F</b>
		600	<b>118.206.F</b>
		800	<b>118.208.F</b>
*1000	2200	600	<b>118.226.F</b>
	1800	400	<b>110.184.F</b>
		500	<b>110.185.F</b>
		600	<b>110.186.F</b>
800		<b>110.188.F</b>	
	2000	400	<b>110.204.F</b>
		500	<b>110.205.F</b>
		600	<b>110.206.F</b>
		800	<b>110.208.F</b>
*1200	1800	400	<b>112.184.F</b>
		500	<b>112.185.F</b>
		600	<b>112.186.F</b>
		800	<b>112.188.F</b>
	2000	400	<b>112.204.F</b>
		500	<b>112.205.F</b>
		600	<b>112.206.F</b>
		800	<b>112.208.F</b>
	2200	600	<b>112.226.F</b>

\* Cabinets with 2 doors

# DT 1000 SERIE

## DT 1000 SERIE FLOORSTANDING TYPE MODULAR "N" CABINETS (IP 55)

Width (G)	Height (Y)	Depth (D)	Ref.No	
500	2000	400	<b>115.204.N</b>	
		500	<b>115.205.N</b>	
		600	<b>115.206.N</b>	
		800	<b>115.208.N</b>	
600	1200	400	<b>116.124.N</b>	
		500	<b>116.125.N</b>	
		600	<b>116.126.N</b>	
		800	<b>116.128.N</b>	
	1600	400	<b>116.164.N</b>	
		500	<b>116.165.N</b>	
		600	<b>116.166.N</b>	
		800	<b>116.168.N</b>	
	1800	400	<b>116.184.N</b>	
		500	<b>116.185.N</b>	
		600	<b>116.186.N</b>	
		800	<b>116.188.N</b>	
2000	400	<b>116.204.N</b>		
	500	<b>116.205.N</b>		
	600	<b>116.206.N</b>		
	800	<b>116.208.N</b>		
2200	600	<b>116.226.N</b>		
	800	1200	400	<b>118.124.N</b>
			500	<b>118.125.N</b>
			600	<b>118.126.N</b>
800			<b>118.128.N</b>	
1600	400	<b>118.164.N</b>		
	500	<b>118.165.N</b>		
	600	<b>118.166.N</b>		
	800	<b>118.168.N</b>		
1800	400	<b>118.184.N</b>		
	500	<b>118.185.N</b>		
	600	<b>118.186.N</b>		
	800	<b>118.188.N</b>		
2000	400	<b>118.204.N</b>		
	500	<b>118.205.N</b>		
	600	<b>118.206.N</b>		
	800	<b>118.208.N</b>		
2200	600	<b>118.226.N</b>		
	*1000	1800	400	<b>110.184.N</b>
			500	<b>110.185.N</b>
			600	<b>110.186.N</b>
800			<b>110.188.N</b>	
2000	400	<b>110.204.N</b>		
	500	<b>110.205.N</b>		
	600	<b>110.206.N</b>		
	800	<b>110.208.N</b>		
*1200	1800	400	<b>112.184.N</b>	
		500	<b>112.185.N</b>	
		600	<b>112.186.N</b>	
		800	<b>112.188.N</b>	
2000	400	<b>112.204.N</b>		
	500	<b>112.205.N</b>		
	600	<b>112.206.N</b>		
	800	<b>112.208.N</b>		
2200	600	<b>112.226.N</b>		



### Material :

Body : 1,50 mm SHEET STEEL  
 Front Door : 2,00 mm SHEET STEEL  
 Side Panels : 1,20 mm SHEET STEEL  
 Mounting Plate : 2,00 mm GALVANIZED STEEL

### Surface Finishing :

SHEET STEEL parts ; Iron phosphated and powder coated in textured RAL 7035

### Protection Category :

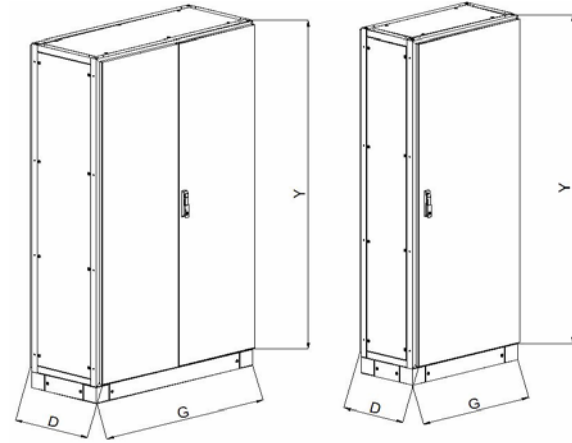
IP55 ( EN 60 529)  
 Polyurethane Sealing Gasket

### Supply Includes :

Body, Front Door , Rear Panel , Normal Roof , Gland Plate , Mounting Plate , 100 mm Plinth , WITHOUT 1 PAIR SIDE PANELS

\* Cabinets with 2 doors

## DT 1000 SERIE CABINET MODULES (IP 55)



Width (G)	Height (Y)	Depth (D)	Ref. No	
500	2000	400	<b>115.204</b>	
		500	<b>115.205</b>	
		600	<b>115.206</b>	
		800	<b>115.208</b>	
600	1200	400	<b>116.124</b>	
		500	<b>116.125</b>	
		600	<b>116.126</b>	
		800	<b>116.128</b>	
	1600	400	<b>116.164</b>	
		500	<b>116.165</b>	
		600	<b>116.166</b>	
		800	<b>116.168</b>	
	1800	400	<b>116.184</b>	
		500	<b>116.185</b>	
		600	<b>116.186</b>	
		800	<b>116.188</b>	
2000	400	<b>116.204</b>		
	500	<b>116.205</b>		
	600	<b>116.206</b>		
	800	<b>116.208</b>		
2200	600	<b>116.226</b>		
	800	1200	400	<b>118.124</b>
			500	<b>118.125</b>
			600	<b>118.126</b>
800			<b>118.128</b>	
1600	400	<b>118.164</b>		
	500	<b>118.165</b>		
	600	<b>118.166</b>		
	800	<b>118.168</b>		
1800	400	<b>118.184</b>		
	500	<b>118.185</b>		
	600	<b>118.186</b>		
	800	<b>118.188</b>		
800	2000	400	<b>118.204</b>	
		500	<b>118.205</b>	
		600	<b>118.206</b>	
		800	<b>118.208</b>	
2200	600	<b>118.226</b>		
	*1000	1800	400	<b>110.184</b>
			500	<b>110.185</b>
			600	<b>110.186</b>
800			<b>110.188</b>	
2000	400	<b>110.204</b>		
	500	<b>110.205</b>		
	600	<b>110.206</b>		
	800	<b>110.208</b>		
*1200	1800	400	<b>112.184</b>	
		500	<b>112.185</b>	
		600	<b>112.186</b>	
		800	<b>112.188</b>	
2000	400	<b>112.204</b>		
	500	<b>112.205</b>		
	600	<b>112.206</b>		
	800	<b>112.208</b>		
2200	600	<b>112.226</b>		

\* Cabinets with 2 doors

### Material :

Body : 1,50 mm SHEET STEEL  
 Front Door : 2,00 mm SHEET STEEL  
 Side Panels : 1,20 mm SHEET STEEL  
 Mounting Plate : 2,00 mm GALVANIZED STEEL

### Surface Finishing :

SHEET STEEL parts ; Iron phosphated and powder coated in textured RAL 7035

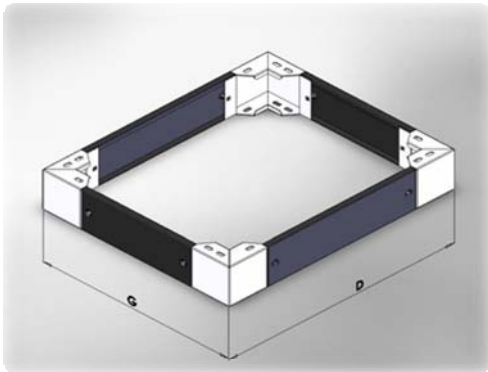
### Protection Category :

IP55 ( EN 60 529)  
 Polyurethane Sealing Gasket

### Supply Includes :

Body, Front Door , Rear Panel , Normal Roof,  
 WITHOUT 1 PAIR SIDE PANELS , GLAND PLATE  
 & 100 mm PLINTH.

## DT SERIE PLINTHS



**Material :**

Plinth Corner : 2 mm GALVANIZED STEEL

Plinth Lids : 1,5 mm GALVANIZED STEEL

**Surface Finishing:**

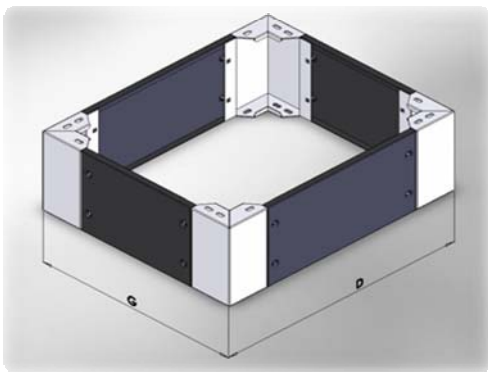
Iron phosphated and powder coated in textured (Corners ; RAL 7035 , Lids ; RAL 9005)

**Supply Includes:**

Plinth Lid , Plinth Corner & Connection parts

### 100 mm HEIGHT PLINTH

Width (G)	Depth (D)	Ref. No
500	400	<b>911.154</b>
	500	<b>911.155</b>
	600	<b>911.156</b>
	800	<b>911.158</b>
600	400	<b>911.164</b>
	500	<b>911.165</b>
	600	<b>911.166</b>
800	800	<b>911.168</b>
	400	<b>911.184</b>
	500	<b>911.185</b>
1000	600	<b>911.186</b>
	800	<b>911.188</b>
	400	<b>911.104</b>
1200	500	<b>911.105</b>
	600	<b>911.106</b>
	800	<b>911.108</b>
1200	400	<b>911.124</b>
	500	<b>911.125</b>
	600	<b>911.126</b>
	800	<b>911.128</b>



**Material :**

Plinth Corner : 2 mm GALVANIZED STEEL

Plinth Lids : 1,5 mm GALVANIZED STEEL

**Surface Finishing:**

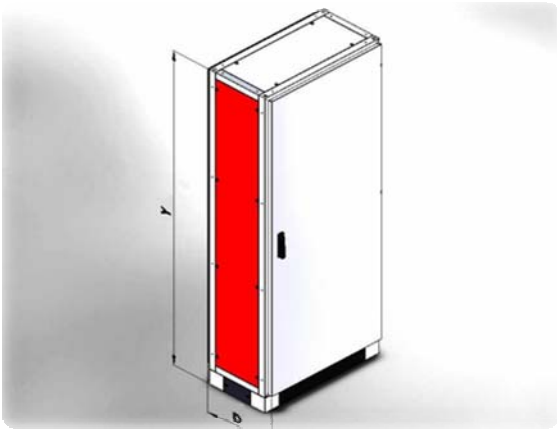
Iron phosphated and powder coated in textured (Corners ; RAL 7035 , Lids ; RAL 9005)

**Supply Includes:**

Plinth Lid , Plinth Corner & Connection parts

### 200 mm HEIGHT PLINTH

Width (G)	Depth (D)	Ref. No
500	400	<b>911.254</b>
	500	<b>911.255</b>
	600	<b>911.256</b>
	800	<b>911.258</b>
600	400	<b>911.264</b>
	500	<b>911.265</b>
	600	<b>911.266</b>
800	800	<b>911.268</b>
	400	<b>911.284</b>
	500	<b>911.285</b>
1000	600	<b>911.286</b>
	800	<b>911.288</b>
	400	<b>911.204</b>
1200	500	<b>911.205</b>
	600	<b>911.206</b>
	800	<b>911.208</b>
1200	400	<b>911.224</b>
	500	<b>911.225</b>
	600	<b>911.226</b>
	800	<b>911.228</b>



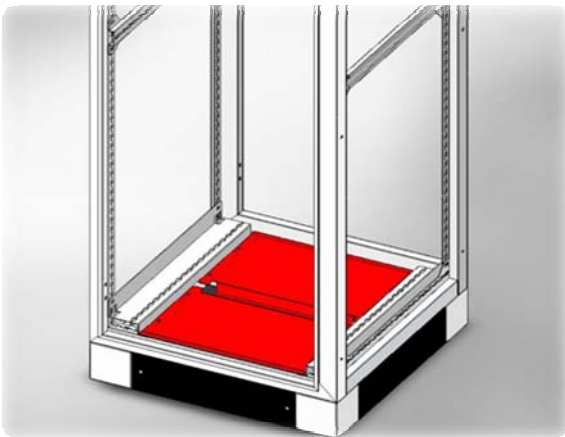
## SIDE LIDS

Height (Y)	Depth (D)	Ref. No
1200	400	932.412
	500	932.512
	600	932.612
1600	400	932.416
	500	932.516
	600	932.616
1800	400	932.418
	500	932.518
	600	932.618
2000	800	932.818
	400	932.420
	500	932.520
	600	932.620
2200	800	932.820
	600	932.622

**Material:** 1,20mm SHEET STEEL

**Surface Finishing :** Iron phosphated and powder coated in textured RAL 7035

**Supply Includes :** 2 pcs (1 pair) Side lids and connection components



## GLAND PLATES

Width (G)	Depth(D)	Ref. No
500	400	921.054
	500	921.055
	600	921.056
	800	921.058
600	400	921.064
	500	921.065
	600	921.066
	800	921.068
800	400	921.084
	500	921.085
	600	921.086
	800	921.088
1000	400	921.104
	500	921.105
	600	921.106
1200	800	921.108
	400	921.124
	500	921.125
	600	921.126
	800	921.128

**Material :** 1,50mm GALVANIZED STEEL

**Supply Includes :** Gland plate, foam rubber and connection components

## DT 1000 SERISI CAMLI KAPILAR



### GLAZED DOORS

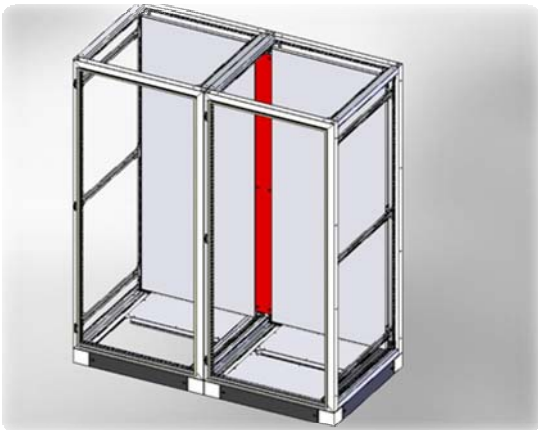
Width (G)	Depth (D)	Ref. No
500	2000	931.052
600	1600	931.066
	1800	931.068
	2000	931.060
800	1600	931.086
	1800	931.088
	2000	931.080

**Material:** 2,00mm SHEET STEEL, Plexi glass

**Surface Finishing :** Iron phosphated and powder coated in textured RAL 7035

**Supply Includes :** Door with plexi glass and connection components

## DT 1000 SERIE MOUNTING PLATE INTERMEDIATE COMBINATION PART



### MOUNTING PLATE INTERMEDIATE COMBINATION PART

Cabinet Height	Ref. No
1200	997.512
1600	997.516
1800	997.518
2000	997.520
2200	997.522

**Material:** 2,00mm GALVANIZED STEEL

**Supply Includes :** 1 pcs of mounting plate intermediate combination part and connection components