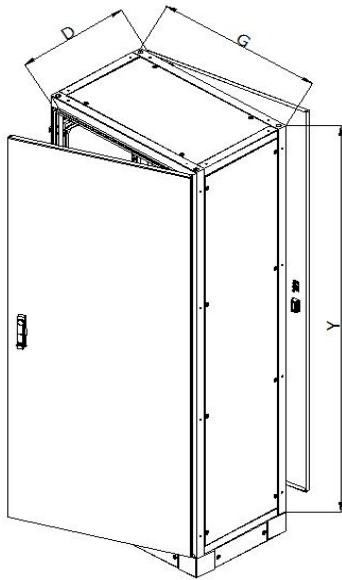


DT 2000 SERIE CABINET MODULE (IP 55)


Width (G)	Height (Y)	Depth (D)	Ref.No
500	2000	500	125.205
		600	125.206
		800	125.208
600	2000	500	126.205
		600	126.206
		800	126.208
800	2000	500	128.205
		600	128.206
		800	128.208
* 1000	2000	500	120.205
		600	120.206
		800	120.208
* 1200	2000	500	122.205
		600	122.206
		800	122.208

* Cabinets with Double Door

Material :

Body : 1,50 mm SHEET STEEL
 Front - Rear Lid : 2,00 mm SHEET STEEL
 Side Lids : 1,20 mm SHEET STEEL
 Mounting Plate : 2,00 mm GALVANIZED STEEL

Surface Finishing :

SHEET STEEL parts; Iron phosphated and powder coated in textured RAL 7035

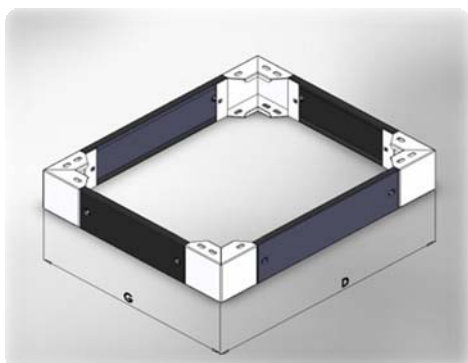
Protection Category :

IP55 (EN 60 529)
 Polyurethan Sealing Gasket

Supply Includes :

Body , Hinged door in two sides,normal roof,double mounting plate.

DT SERIE PLINTH



Material :

Plinth Corner : 2,00 mm GALVANIZED STEEL

Plinth Lids : 1,50 mm GALVANIZED STEEL

Surface Finishing :

Iron phosphated and powder coated (Corners ; RAL 7035 , Lids ; RAL 9005)

Supply Includes :

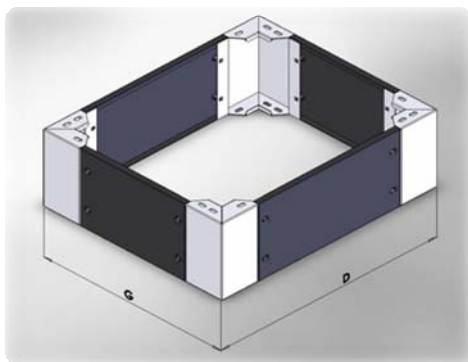
Plinth lid, Plinth corner and connection components

100 mm HEIGHT PLINTH

Width (G)	Depth (D)	Ref. No
500	400	911.154
	500	911.155
	600	911.156
600	800	911.158
	400	911.164
	500	911.165
800	600	911.166
	800	911.168
	400	911.184
1000	500	911.185
	600	911.186
	800	911.188
1200	400	911.104
	500	911.105
	600	911.106
1200	800	911.108
	400	911.124
	500	911.125
1200	600	911.126
	800	911.128

200 mm HEIGHT PLINTH

Width (G)	Depth (D)	Ref. No
500	400	911.254
	500	911.255
	600	911.256
	800	911.258
600	400	911.264
	500	911.265
	600	911.266
	800	911.268
800	400	911.284
	500	911.285
	600	911.286
	800	911.288
1000	400	911.204
	500	911.205
	600	911.206
	800	911.208
1200	400	911.224
	500	911.225
	600	911.226
	800	911.228



Material :

Plinth Corner : 2,00 mm GALVANIZED STEEL

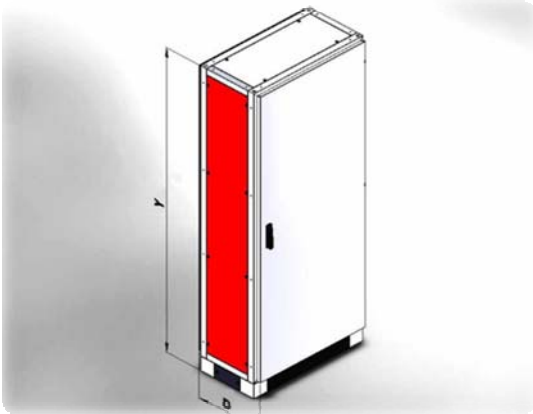
Plinth Lids : 1,50 mm GALVANIZED STEEL

Surface Finishing :

Iron phosphated and powder coated (Corners ; RAL 7035 , Lids ; RAL 9005)

Supply Includes :

Plinth lid, Plinth corner and connection components



SIDE LIDS

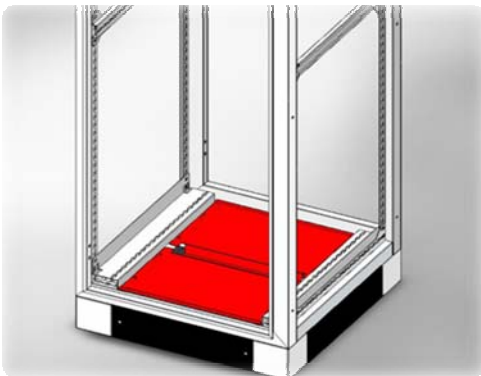
Height (Y)	Depth (D)	Ref. No
1200	400	932.412
	500	932.512
	600	932.612
1600	400	932.416
	500	932.516
	600	932.616
1800	400	932.418
	500	932.518
	600	932.618
	800	932.818
2000	400	932.420
	500	932.520
	600	932.620
2200	800	932.820
	600	932.622

Material: 1,20mm SHEET STEEL

Surface Finishing :

Iron phosphated and powder coated in textured RAL 7035

Supply Includes : 2 pcs (1 pair) side lids and connection components



GLAND PLATES

Width (G)	Depth (D)	Ref. No
500	400	921.054
	500	921.055
	600	921.056
	800	921.058
600	400	921.064
	500	921.065
	600	921.066
	800	921.068
800	400	921.084
	500	921.085
	600	921.086
	800	921.088
1000	400	921.104
	500	921.105
	600	921.106
	800	921.108
1200	400	921.124
	500	921.125
	600	921.126
	800	921.128

Material: 1,50mm GALVANIZED STEEL

Supply Includes : Gland plate, Foam rubber and connection components

DT SERIE GLASS DOORS



GLAZED DOORS

Width (G)	Depth (D)	Ref. No
500	2000	931.052
600	1600	931.066
	1800	931.068
	2000	931.060
800	1600	931.086
	1800	931.088
	2000	931.080

Material: 2,00mm SHEET STEEL, Plexi glass

Surface Finishing : Iron phosphated and powder coated in textured RAL 7035

Supply Includes : Plexi glass door including connection components