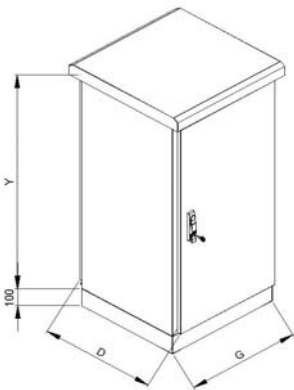


**OUTDOOR TYPE CABINETS (IP55)**


Width (G)	Height (Y)	Depth (D)	Ref.No
600	1100	400	<b>816.114</b>
		600	<b>816.116</b>
		800	<b>816.118</b>
	1600	400	<b>816.164</b>
		600	<b>816.166</b>
		800	<b>816.168</b>
1900	600	<b>816.196</b>	
	800	<b>816.198</b>	
	800	1100	400
600			<b>818.116</b>
800			<b>818.118</b>
1600		400	<b>818.164</b>
		600	<b>818.166</b>
		800	<b>818.168</b>
1900	600	<b>818.196</b>	
	800	<b>818.198</b>	
	1200	1100	400
600			<b>812.116</b>
400			<b>812.164</b>
1600		400	<b>812.166</b>
		600	<b>812.196</b>
		600	<b>812.198</b>

**Material :**

Body , Roof , Rear lid , Gland plate : 1.50 mm  
 GALVANIZED STEEL

Door , Plinth , Mounting plate : 2.00 mm  
 GALVANIZED STEEL

**Surface Finishing :**

Body , Rear lid , Gland plate and door : Iron  
 phosphated and powder coated in textured RAL  
 7035( OUTDOOR CLIMATE PAINT )

Roof : Iron phosphated and powder coated in  
 textured RAL 7012

**Protection Category :** IP55 ( EN 60 529)

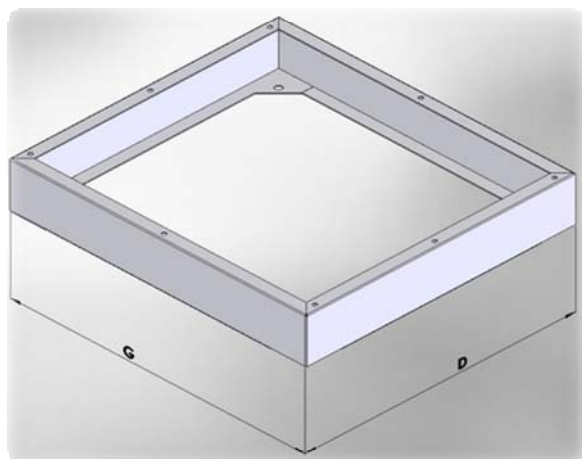
Polyurethan Sealing Gasket

**Supply Includes :**

Body , Door , Rear lid , Normal roof , Gland plate

## OUTDOOR TYPE 100 mm HEIGHT PLINTH

Width (G)	Depth (D)	Ref.No
600	400	913.164
	600	913.166
	800	913.168
800	400	913.184
	600	913.186
	800	913.188
1200	400	913.124
	600	913.126



**Material :** 2.00 mm GALVANIZED STEEL

**Surface Finishing :** Iron phosphated and powder coated in textured RAL 7012

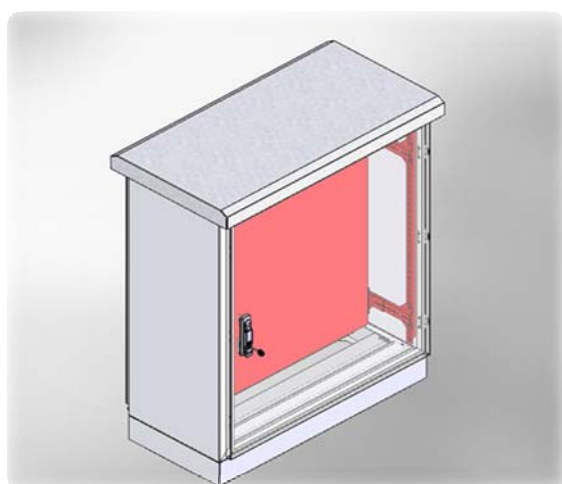
**Supply Includes :** Outdoor type plinth and connection components

## OUTDOOR TYPE 200 mm HEIGHT PLINTH

Width (G)	Depth (D)	Ref.No
600	400	913.264
	600	913.266
	800	913.268
800	400	913.284
	600	913.286
	800	913.288
1200	400	913.224
	600	913.226

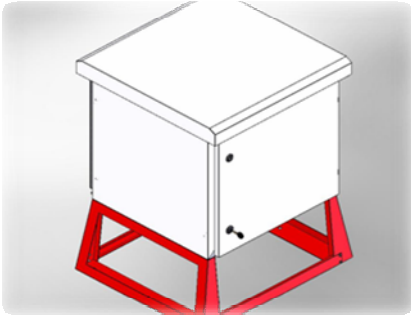
## OUTDOOR TYPE CABINET MOUNTING PLATES

Width (G)	Depth (D)	Ref.No
600	1100	942.562
	1600	942.566
	1900	942.569
800	1100	942.582
	1600	942.586
	1900	942.589
1200	1100	942.522
	1600	942.526
	1900	942.529



**Material :** 2.00 mm GALVANIZED STEEL

**Supply Includes :** Mounting plate and connection components



## OUTDOOR USE FEETS (H: 300 mm)

Width (G)	Depth (D)	Ref.No
600	400	914.364
	600	914.366
	800	914.368
800	400	914.384
	600	914.386
	800	914.388
1200	400	914.324
	600	914.326

**Material :** 2.00 mm GALVANIZED STEEL

**Surface Finishing :** Iron phosphated and powder coated in textured RAL 7035

**Supply Includes :** Outdoor use feet and connection components

## OUTDOOR TYPE 19" PROFILE SETS



Width (G)	Depth (D)	U	Ref.No
600	1100	22	944.961
	1600	33	944.966
	1900	40	944.969
800	1100	22	944.981
	1600	33	944.986
	1900	40	944.989
1200	1100	22	944.921
	1600	33	944.926
	1900	40	944.929

\* There are 4 pcs in 600 & 800 width and 8 pcs in 1200 mm width 19 " profile

**Material :** 2.00 mm GALVANIZED STEEL

**Supply Includes :** 19" Profile and connection components