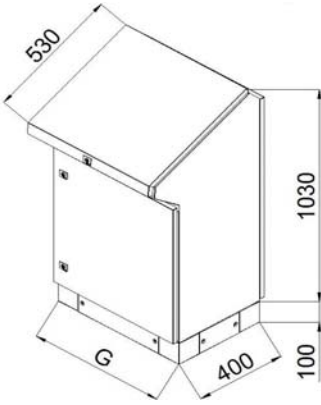


KMT 2000 CONTROL DESKS



Width (G)	Height (Y)	Depth (D)	Ref.No
600	1130	400	526.400
800	1130	400	528.400
1000	1130	400	520.400
1200	1130	400	522.400

Material :

Body : 1,50 mm SHEET STEEL
Lids : 1,50 mm SHEET STEEL
Mounting Plate : 2.00 mm GALVANIZED STEEL

Surface Finishing :

SHEET STEEL parts; Iron phosphated and powder coated in textured RAL 7035

Protection Category :

IP54(EN 60 529)

Polyurethan Sealing Gasket

Ürün İçeriği :Body,Gland plate,Front door,100 mm plinth,2 pcs of mounting plate,upper cover,rear door.