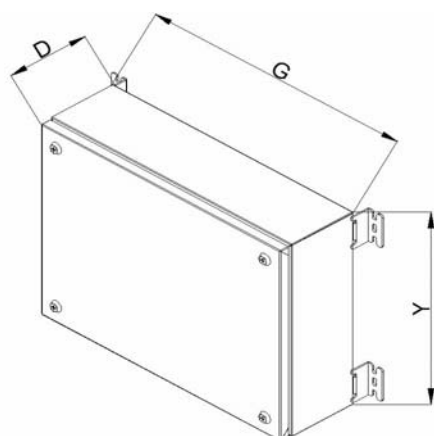


**CLOSED TYPE TERMINAL BOXES (IP 66)**



Width (G)	Height (Y)	Depth (D)	Ref. No
200	200	120	<b>312.212</b>
300	200	120	<b>313.212</b>
	300	120	<b>313.312</b>
400	200	120	<b>314.212</b>
	300	120	<b>314.312</b>
	400	120	<b>314.412</b>
500	200	120	<b>315.212</b>
	300	120	<b>315.312</b>
600	200	120	<b>316.212</b>
	300	120	<b>316.312</b>
	400	120	<b>316.412</b>

**Material :**

Body : 1,20 mm. SHEET STEEL

Door : 1,20 mm. SHEET STEEL

**Surface Finishing :**

SHEET STEEL parts; Iron Phosphated and Powder Coated in Textured RAL 7035

**Protection Category :**

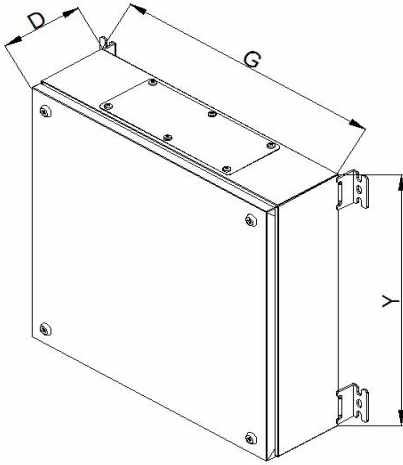
IP66 ( EN 60 529)

Polyurethane Sealing Gasket

**Supply Includes :**

Body,Door,Wall Brackets

## OPEN TYPE TERMINAL BOXES (IP55)



Width (G)	Height (Y)	Depth (D)	Ref. No
300	200	120	323.212
	300	120	323.312
400	200	120	324.212
	300	120	324.312
	400	120	324.412
500	200	120	325.212
	300	120	325.312
600	200	120	326.212
	300	120	326.312
	400	120	326.412

### Material :

Body : 1,20 mm. SHEET STEEL

Door : 1,20 mm. SHEET STEEL

### Surface Finishing :

SHEET STEEL parts; Iron Phosphated and Powder Coated in Textured RAL 703

### Protection Category :

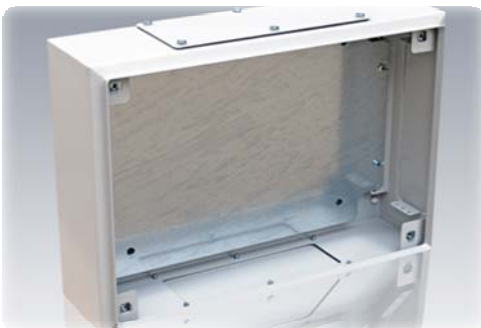
IP55 ( EN 60 529)

Polyurethane Sealing Gasket

### Supply Includes :

Body,Door,Wall Brackets,Steel gland plates.

## TERMINAL BOXES MOUNTING PLATES



Width (G)	Height (Y)	Ref. No
200	200	942.122
300	200	942.132
	300	942.133
400	200	942.142
	300	942.143
	400	942.144
500	200	942.152
	300	942.153
600	200	942.162
	300	942.163
	400	942.164

**Material:** 2,00mm GALVANIZED STEEL

**Supply Includes :** Mounting Plate and Connection parts.