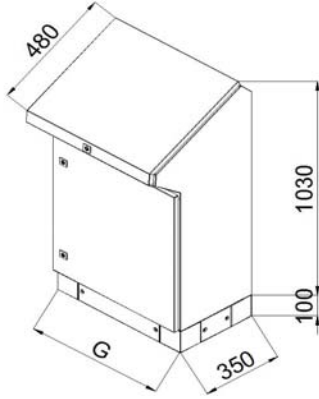


STAINLESS STEEL KMT 1000 SERIE

STAINLESS STEEL KMT 1000 CONTROL DESKS (IP55)



Width (G)	Yükseklik (Y)	Derinlik (D)	Ref.No
600	1130	350	516.350-K
800	1130	350	518.350-K
1000	1130	350	510.350-K
1200	1130	350	512.350-K

Material :

Body : 1,50 mm 304 STAINLESS STEEL

Lids : 1,50 mm 304 STAINLESS STEEL

Mounting Plate : 2.00 mm GALVANIZED STEEL

Protection Category :

IP55(EN 60 529)

Polyurethan Sealing Gasket

Supply Includes :

Body , Gland plate , Front lid , 100 mm plinth ,

1 pcs mounting plate , top lid