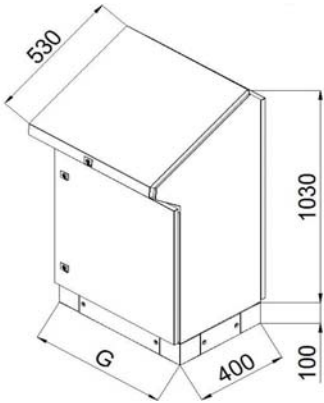


STAINLESS STEEL KMT 2000 SERIE

STAINLESS STEEL KMT 2000 CONTROL DESKS (IP55)



| Width (G) | Height (Y) | Depth (D) | Ref.No |
|-----------|------------|-----------|-----------|
| 600 | 1130 | 400 | 526.400-K |
| 800 | 1130 | 400 | 528.400-K |
| 1000 | 1130 | 400 | 520.400-K |
| 1200 | 1130 | 400 | 522.400-K |

Material :

Body : 1,50 mm.304 STAINLESS STEEL
 Lids : 1,50 mm.304 STAINLESS STEEL
 Mounting plate : 2.00 mm.GALVANIZED STEEL

Protection Category :

IP55(EN 60 529)
 Polyurethan Sealing Gasket

Supply Includes :

Body , Gland plate , Front door , 100 mm plinth , 2 pcs mounting plate , upper lid , Rear Door