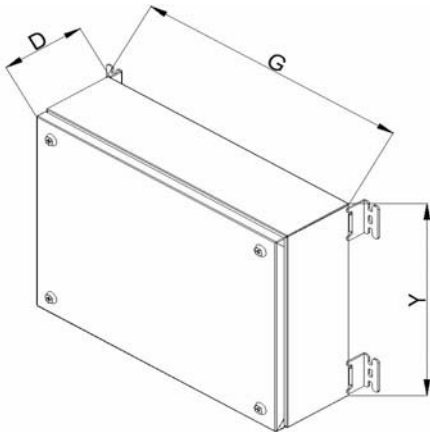


STAINLESS STEEL KT SERIE

STAINLESS STEEL CLOSED TYPE TERMINAL BOXES (IP 66)



Width (G)	Height (Y)	Depth (D)	Ref. No
200	200	120	312.212-K
300	200	120	313.212-K
	300	120	313.312-K
400	200	120	314.212-K
	300	120	314.312-K
	400	120	314.412-K

Material :

Body : 1,20 mm. 304 STAINLESS STEEL

Lid : 1,20 mm. 304 STAINLESS STEEL

Protection Category :

IP66 (EN 60 529)

Polyurethan Sealing Gasket

Supply Includes :

Enclosure body, Lid , Wall brackets