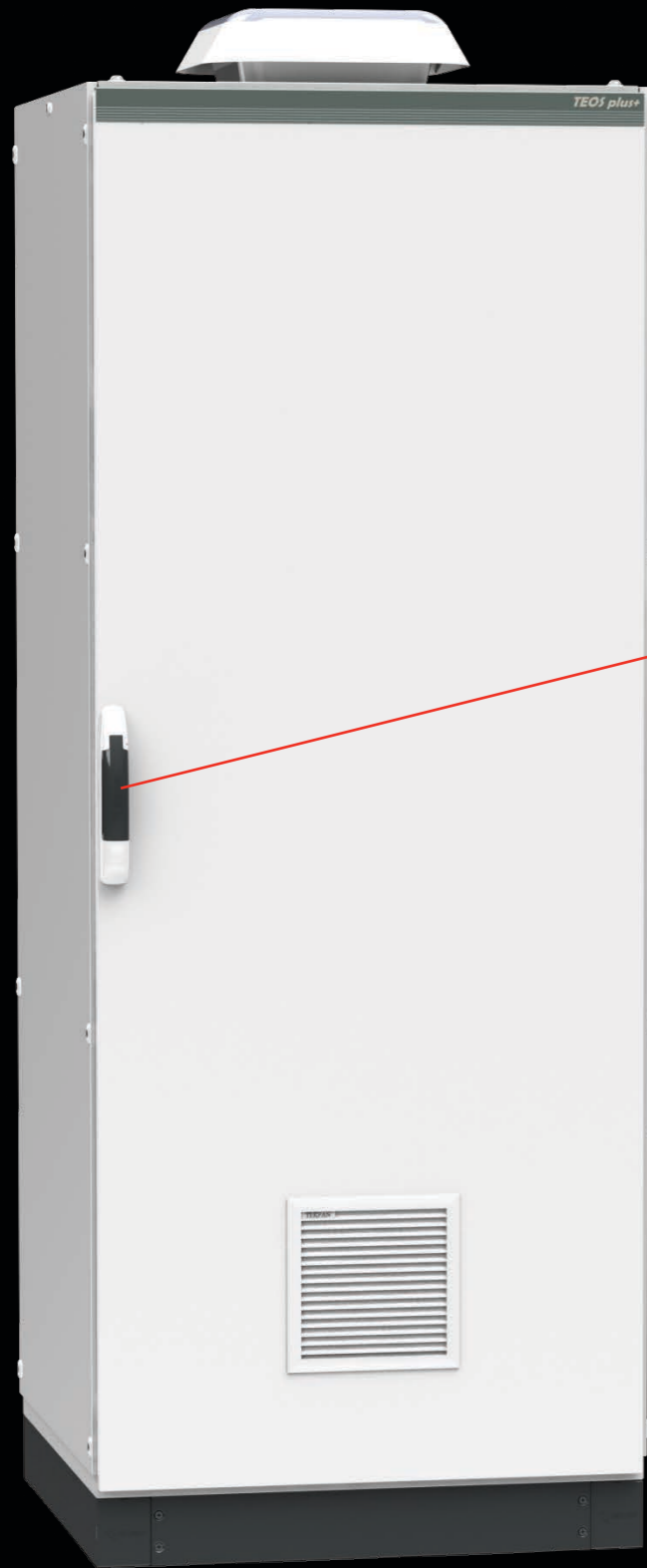
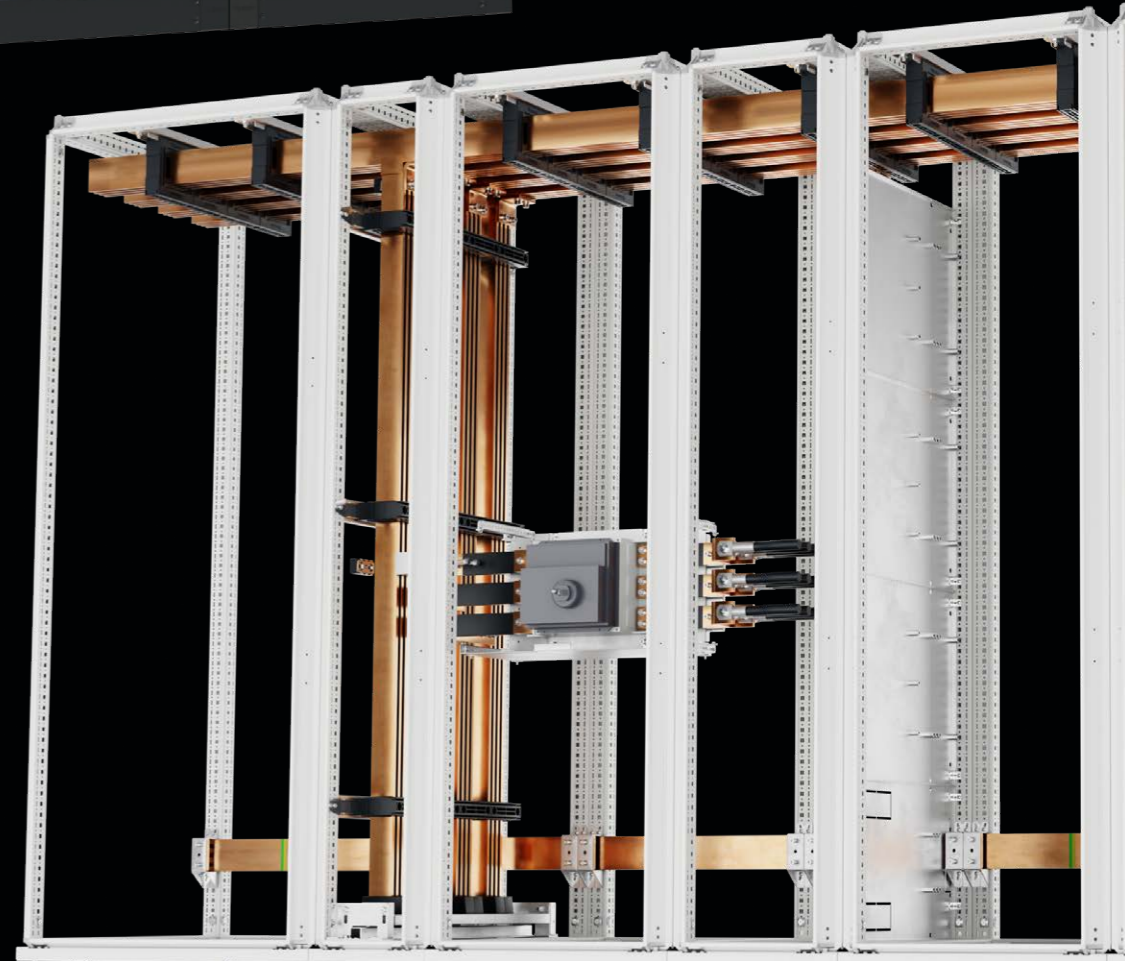


FLOORSTANDING MODULAR CABINET



FLOORSTANDING MODULAR CABINET





SEISMIC (EARTHQUAKE) RESISTANCE TEST REPORT

TEOS POWERED FRAME STRUCTURE

ZONE 3

<p>1. GENERAL DATA</p> <p>1.1. Customer TEKPAN TEKNİK ELEKTRİK, Ankara Asfaltı 14 km. İstiklal Mh. 17 Sk. No:8 Üsküdar/Beşiktaş/İstanbul /TURKEY</p> <p>1.2. Unit under test The tests were performed on the following unit: - TEOS plus double door enclosure, with a total mass of 395 kg.</p> <p>1.3. Manufacturer TEKPAN TEKNİK ELEKTRİK</p> <p>1.4. Reference documents</p> <p>1.4.1. Contract documents a. Offer P&P LMC No. OF-AR-04112 rev.01, dated June 19th, 2012. b. Order Tekpan dated June 19th, 2012.</p> <p>1.4.2. Technical documents and standards</p> <ol style="list-style-type: none"> Teknik Genişletme Yönetmeliği (TR-43) CE, NERB Requirements: Physical Protection, Issue 1, October 1995. IEC 60068-3-3: Environmental testing - Part 3: Guidelines - Seismic test methods for equipment. IEC 60068-2-6: Environmental testing - Part 2: Tests - Test Fc: Vibration (sinusoidal). IEC 60068-2-7: Environmental testing - Part 2: Tests - Test Fc: Vibration - Time history method. IEC 60068-2-8: Environmental testing - Part 2: Tests - Test Fc: Vibration - Time history method. <p>1.5. Test objective The purpose of the tests was to demonstrate that the unit before its compliance with the requirements stated in the 01 to 02 referring to a seismic risk classified as Zone 3.</p> <p>1.6. Tests overall results At the end of the tests, as a result of inspection, no damages on the unit were detected.</p>	<p>1.7. Testing laboratory P&P LMC S.r.l. Via Fontegge, 9 20098 Sesto San Giovanni (BG) ITALY</p> <p>1.8. Test date October 17th, 18th, 19th, 20th, 21st, 2012.</p> <p>1.9. Responsibilities A. Beati, test responsible M. Ceresa, test engineer D. Rossetti, test engineer</p> <p>2. TESTING PROCEDURES</p> <p>2.1. General remarks To perform the tests, three reference directions have been considered for the unit: X (front - rear), Y (side - side) and Z (vertical). The sequence of the tests for the unit has been: - Seismic tests, performed in three directions (X, Y, Z) and consisted in: - vibration response investigation - earthquake - vibration response investigation - earthquake All the applied vibration were sinusoidal. Tests in Z direction were performed on a vertical shaking table acted by an electro-dynamic shaker. For the other vibration directions, a horizontal shaking table was used. Excitation directions are shown in the photographs. All the performed tests are listed in the table of page from 15. Tests were assessed following the chronological sequence.</p> <p>2.2. Mounting techniques For all tests the unit was mounted in its intended operating configuration. The unit was fixed to the shaking table with No. 12 M14 screws with a tightening torque of 80 Nm.</p> <p>2.3. Control and measuring positions During the tests, for the motion control the signal of a non-resonant accelerometer in the excitation direction (FTI) was used. Moreover two modal accelerometers (MFI and MFD) were placed on the unit for the vibration measurement (see photos). In the table reported below are summarized model and serial number of the transducers mounted in the control and measuring positions during the tests.</p>
--	--

ZONE 4

<p>1. GENERAL DATA</p> <p>1.1. Customer TEKPAN TEKNİK ELEKTRİK, Ankara Asfaltı 14 km. İstiklal Mh. 17 Sk. No:8 Üsküdar/Beşiktaş/İstanbul /TURKEY</p> <p>1.2. Unit under test The tests were performed on the following unit: - TEOS Plus single door enclosure, with a total mass of 313 kg.</p> <p>1.3. Manufacturer TEKPAN TEKNİK ELEKTRİK</p> <p>1.4. Reference documents</p> <p>1.4.1. Contract documents a. Offer P&P LMC No. OF-AR-04112 rev.01, dated June 19th, 2012. b. Order Tekpan dated June 19th, 2012.</p> <p>1.4.2. Technical documents and standards</p> <ol style="list-style-type: none"> Teknik Genişletme Yönetmeliği (TR-43) CE, NERB Requirements: Physical Protection, Issue 1, October 1995. IEC 60068-3-3: Environmental testing - Part 3: Guidelines - Seismic test methods for equipment. IEC 60068-2-6: Environmental testing - Part 2: Tests - Test Fc: Vibration (sinusoidal). IEC 60068-2-7: Environmental testing - Part 2: Tests - Test Fc: Vibration - Time history method. IEC 60068-2-8: Environmental testing - Part 2: Tests - Test Fc: Vibration - Time history method. <p>1.5. Test objective The purpose of the tests was to demonstrate that the unit before its compliance with the requirements stated in the 01 to 02 referring to a seismic risk classified as Zone 4.</p> <p>1.6. Tests overall results At the end of the tests, as a result of inspection, no damages on the unit were detected.</p>	<p>1.7. Testing laboratory P&P LMC S.r.l. Via Fontegge, 9 20098 Sesto San Giovanni (BG) ITALY</p> <p>1.8. Test date October 17th, 18th, 2012.</p> <p>1.9. Responsibilities A. Beati, test responsible M. Ceresa, test engineer D. Rossetti, test engineer</p> <p>2. TESTING PROCEDURES</p> <p>2.1. General remarks To perform the tests, three reference directions have been considered for the unit: X (front - rear), Y (side - side) and Z (vertical). The sequence of the tests for the unit has been: - Seismic tests, performed in three directions (X, Y, Z) and consisted in: - vibration response investigation - earthquake - vibration response investigation - earthquake All the applied vibration were sinusoidal. Tests in Z direction were performed on a vertical shaking table acted by an electro-dynamic shaker. For the other vibration directions, a horizontal shaking table was used. Excitation directions are shown in the photographs. All the performed tests are listed in the table of page 15. Tests were assessed following the chronological sequence.</p> <p>2.2. Mounting techniques For all tests the unit was mounted in its intended operating configuration. The unit was fixed to the shaking table with No. 8 M14 screws with a tightening torque of 80 Nm.</p> <p>2.3. Control and measuring positions During the tests, for the motion control the signal of a non-resonant accelerometer in the excitation direction (FTI) was used. Moreover two modal accelerometers (MFI and MFD) were placed on the unit for the vibration measurement (see photos). In the table reported below are summarized model and serial number of the transducers mounted in the control and measuring positions during the tests.</p>
--	---

- Zone3' All Teos series products are within the scope of Zone 3 seismic resistance tests.
- Zone3' test was conducted for double-door enclosures of size 1200 widthx2000+100 height and 600 mm depth, and covers all sizes and types of the Teos series.
- You can view the complete report on our websites.

- For 'Zone 4' seismic resistance tests, an enclosure sized 800 width x 2000+100 height x 800 with an extra reinforced interior and welded plinth was used.
- The abovementioned size and structure are required for your needs within the scope of 'Zone 4'. Please contact our sales department for your needs.
- You can view the complete report on our websites



Turkish Patent No: TR 201009615Y

Produced with a closed rail structure, Teos enclosure rails are clamped with a special non-welded clamping system. Their resistance to both vertical and horizontal pressures is extremely high compared to open rail structures. This force enables full resistance for the movement of the installed equipments and resistance in overcurrents.

UL CERTIFICATE VALID CERTIFICATE IN THE USA AND CANADA

CERTIFICATE OF COMPLIANCE

Certificate Number	20120920-E352599
Report Reference	E352599-20120920
Issue Date	2012-SEPTEMBER-20

Issued to: TEKPAN - TEKNİK ELEKTRİK KUMANDA PANO SAN VE TURİZM TİCARET LTD STİ ANKARA ASFALTI 14 KM İSTİKLAL MH 17 SK NO 8 TURKEY

This is to certify that representative samples of INDUSTRIAL CONTROL PANELS Enclosures for Industrial Control Panels, Sheet metal enclosure Series TEOS and DM.

Have been investigated by UL in accordance with the Standard(s) indicated on this Certificate.

Standard(s) for Safety: Industrial Control Panels, UL 508A. Industrial Control Equipment, C22.2 No. 14-10

Additional Information: See the UL Online Certifications Directory at www.ul.com/database for additional information

Only those products bearing the UL Listing Mark for the US and Canada should be considered as being covered by UL's Listing and Follow-Up Service meeting the appropriate requirements for US and Canada. The UL Listing Mark for the US and Canada generally includes: the UL in a circle symbol with "C" and "US" identifiers; the word "LISTED"; a control number (may be alphanumeric) assigned by UL; and the product category name (product identifier) as indicated in the appropriate UL Directory. Look for the UL Listing Mark on the product.

William R. Conroy
 Director, North American Certification Programs
 UL LLC
Any information and documentation involving UL Mark services are provided on behalf of UL LLC (UL) or any authorized licensee of UL. For questions, please contact a local UL Customer Service Representative at www.ul.com/customer

Page 1 of 1

EAC CERTIFICATE

ТАМЖОНЕННЫЙ СВИДЕТЕЛЬСТВО
СЕРТИФИКАТ СООТВЕТСТВИЯ

№ TC RU C-TR.M010.B.01386
Сфера RU № 0480583

ОРГАНИЗМ СЕРТИФИКАЦИИ Общество с ограниченной ответственностью «ЦЕНТР-СТАНДАРТ». Место нахождения: 119119, Российская Федерация, город Москва, Боровицкий проезд, дом 42, корпус 1С-3, этаж 1, комната 11. Адрес места осуществления деятельности: 117405, Российская Федерация, город Москва, улица Бородинская, дом 4, корпус 1, 3-й этаж, комната № 11. Телефон: +7 (495) 664-23 98. Адрес электронной почты: info@center-cert.ru. Адрес регистрации: 7903245611, адрес электронной почты: ul.com@ru2000@gmail.com

ЗАЯВИТЕЛЬ Общество с ограниченной ответственностью «СЭС Космонавт». Место нахождения: 185017, Российская Федерация, город Москва, улица 3-я Парковая, дом 9, квартира 18. Телефон: 7903245611, адрес электронной почты: ul.com@ru2000@gmail.com

ИЗГОТОВИТЕЛЬ «ТЕКΠΑΝ TEKNİK ELEKTRİK KUMANDA PANO SAN VE TİCARET LİC.A.Ş.» Место нахождения: ТУРКІЯ, Кемерде О.С.Б. Исткль Мх. 17 Ск.Но.8 Ускудар/Бешикташ/Истанбул

ПРОДУКЦИЯ Электропитание термовой защиты «ТЕКΠΑΝ», артикулы: 990.200, 990.201, 990.202, 990.203, 990.204, 990.205, 990.206, 990.207, 990.208, 990.209, 990.210, 990.211, 990.212, 990.213, 990.214, 990.215, 990.216, 990.217, 990.218, 990.219, 990.220, 990.221, 990.222, 990.223. Предприятие изготовлено в соответствии с Декретом 2014/35/ЕС «Наказание на оборудование». Серийный выпуск.

КОД ТН ВЭД ТС: 8536 69 900 8

СООТВЕТСТВУЕТ ТРЕБОВАНИЮ Технического регламента Таможенного союза ТР ТС 004/2011 "О безопасности низковольтного оборудования"

СЕРТИФИКАТ ВЫДАН НА ОСНОВАНИИ протокола испытаний № 1084/01/ЭИ.М.2017 от 03.10.2017 года, выданного Исполнительным директором Общества с ограниченной ответственностью «ПРОМАИТЕСТ», аттестат выданной регистрации № RA.RU.1135/01, дата вступления в силу 27.09.2017 года в соответствии с сертификацией продукции Общества с ограниченной ответственностью «ЦЕНТР-СТАНДАРТ».

Сфера сертификации: 1с

ДОПОЛНИТЕЛЬНАЯ ИНФОРМАЦИЯ Сфера сертификации: Технические регламенты Таможенного союза и условия применения указаны в «Справочнике по сертификации, применению в Таможенном Союзе, обязательному применению в Таможенном Союзе». Технический регламент Таможенного союза ТР ТС 004/2011 "О безопасности низковольтного оборудования". ГОСТ 30811.1-2002 "Совместимость электромагнитная в радиочастотном диапазоне. Часть 1. Общие требования к методам испытаний". ГОСТ 30811.2-2002 "Совместимость электромагнитная в радиочастотном диапазоне. Часть 2. Дополнительные требования к методам испытаний и условия применения".

СФЕРА СЕРТИФИКАЦИИ: 04.10.2017 ПО 03.10.2022

ВКАЛОЧИТАВНО
 Е.Н. Ушманов
 В.А. Туканов

- You can view the complete report on our websites

TEOS EARTING CONTINUITIY



Placed on the aluminium corner combination, the earthing hooks are tightly mounted on the uncoated inner surface of the rails by means of eroding. Thereby, the earthing continuity is ensured for all rails and their parts

Placed on the bottom-top inner parts of the front door, the earthing screw increases conductive surface. Thereby, the front door is more efficiently grounded as the most important part to be grounded.

Applied to all other cover plates, the earthing screws allow for the complete earthing of all enclosure cover plates. Furthermore, TEOS allows for earthing all parts by use of special grounding washers.

TEOS CORROSION PROTECTION



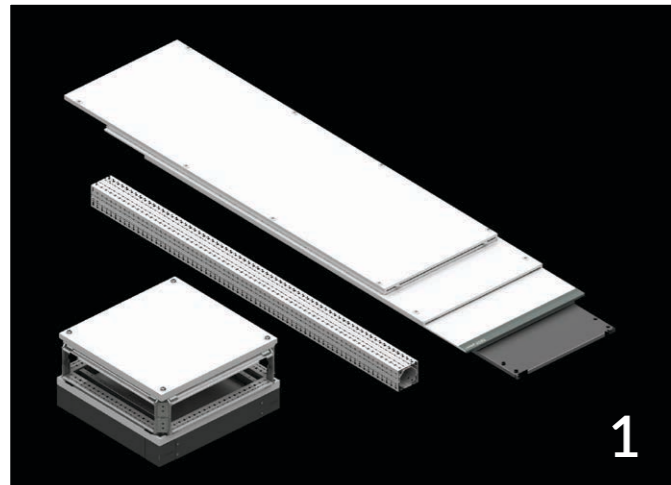
Teos closed frame made by galvanized steel (DIN EN 10142_00 DX51 D+Z) and coated Nano-plating and powder coated from outside of the surface. Non-powder coated inside surface can not corrode because of the galvanized material style.

Manufactured from aluminim-cast (E-160) material, the rail connection corners do not corrode thanks to their aluminim structure.

70-90 µm epoxy polyester powder-coating
8-10 µm fosfat
Metal

All coated parts respectively undergo the automatic processes of washing, Nano-plating, deionized passivation- drying- coating- firing and are treated with active coating. 500 hour salt test resistance is acquired according to the test results of this process

TEOS EASY ASSEMBLING AND LOGISTICAL ADVANTAGES



1



2



3



4

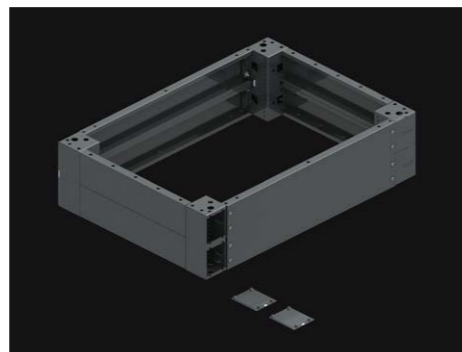
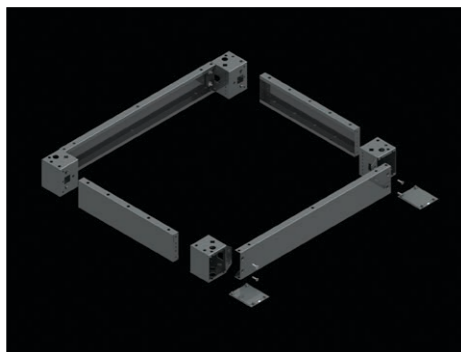
Offered as flat package, the TEOS series is designed for an easy mounting in a minimal amount of time. It does not require angulation for the body and can be mounted between 15-20 minutes by two people.

Offered as flat package, TEOS series save space during transportation and storage. However, since packages can be replaced with each other, they provide more solutions with less inventory.

You can access the Teos assembly video by scanning the QR code.



TEOS PLINTH SYSTEM



Front surfaces of the corner parts are open in the plinth system which is designed with a height of 100 mm and 200 mm. This enables not only an easy mounting on the enclosure but also an easy ground fixing. Upon the completion of this process, the plastic panel closes without use of screws.

Plinth front panels are mounted with screws while the side panels are screwed from the inside.

A separate corner can be used for plinth applications with a height of 200 mm as well as plinths with a height of 100 mm can be superimposed to reach the 200 mm height.

TEOS FRONT DOOR

Lock and hinge placed in four points

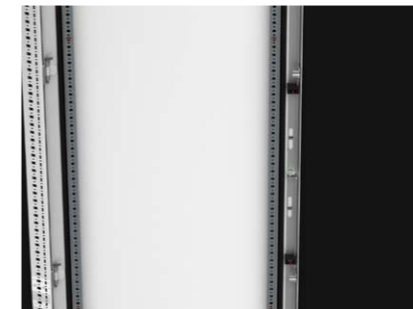


Wheel Application



The standard wheel application that comes with TEOS+ products prevents the door from sagging, balances the weight of the door, and prevents harsh closing due to wind or other factors, thus protecting panels and accents against any mechanical impact.

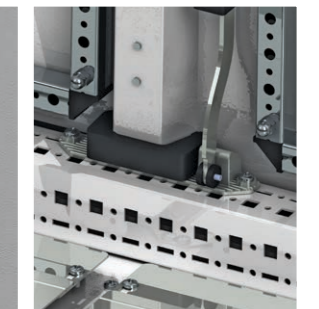
Wide Space and Strong Door Rail



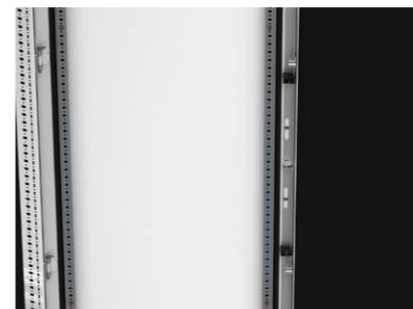
Since locking is performed on the rails, inner space of the cover plates allows for a maximum efficiency.

As the closed support rails are manufactured as a completely closed box, they are more resistant to bending. This ensures a stronger cover plate.

Comfort Handle Lock with Insert Protection



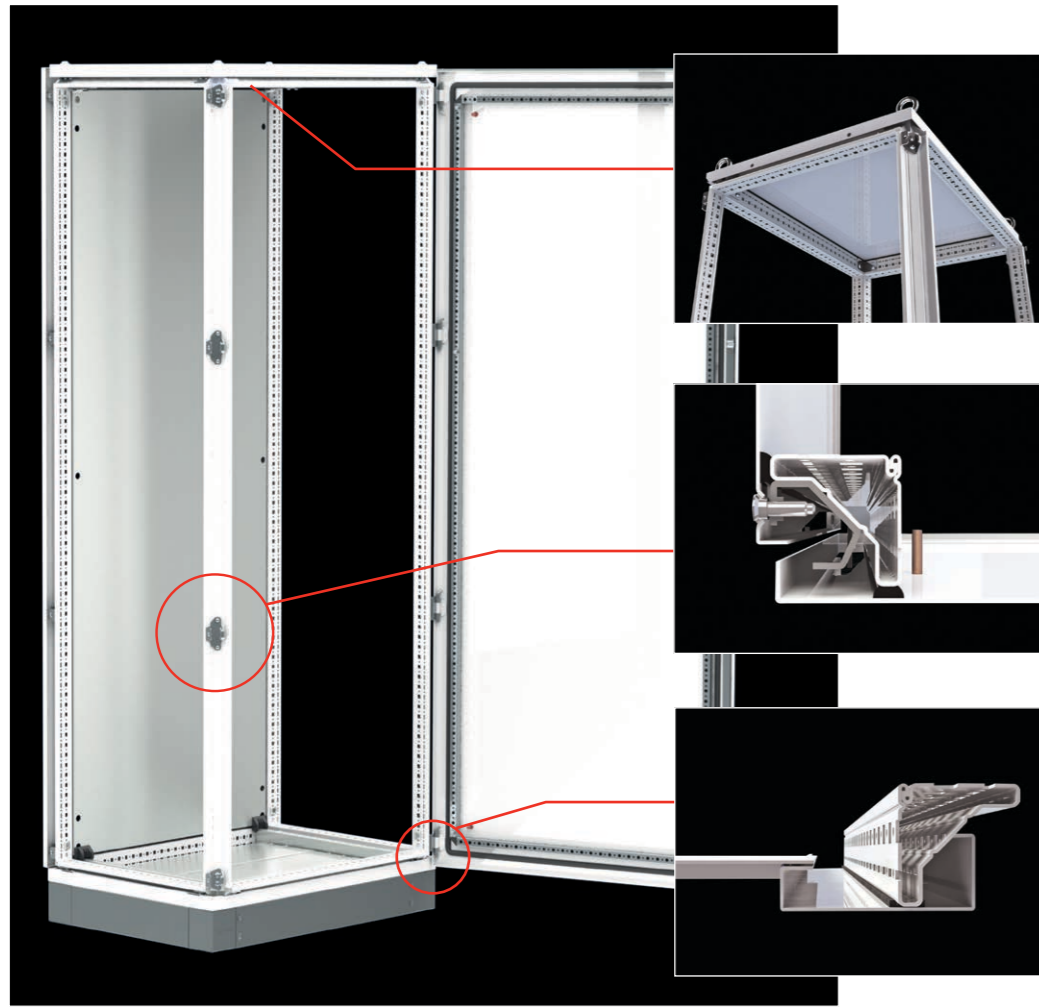
Rigid and Durable Lock Structure



Lock failures experienced in most enclosures are prevented in TEOS. Thanks to their corrugated and long-lasting structure, the locking plates do not bend and corrode.

IP 54 - IP 65 PROTECTION CATEGORY

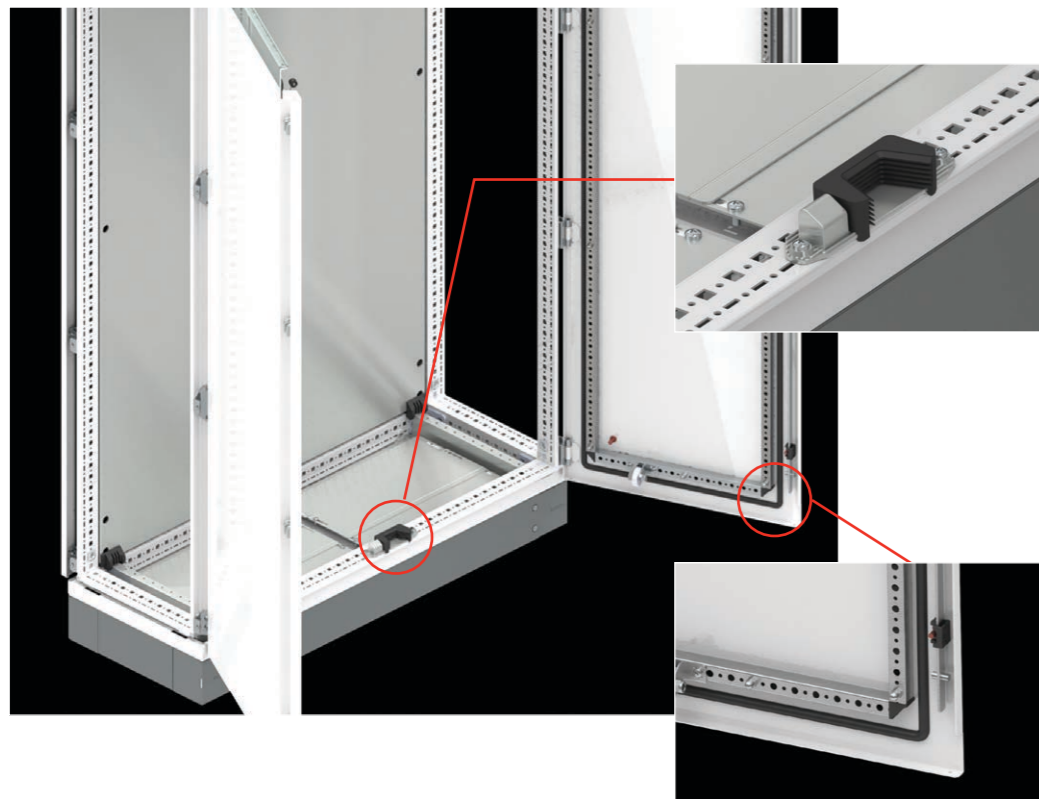
MOUNTING PLATE SYSTEM



Sealing foam gaskets are used on the body door, back door, side panels and top panels of the enclosure. This gasket enables complete isolation between -40 and +100 C

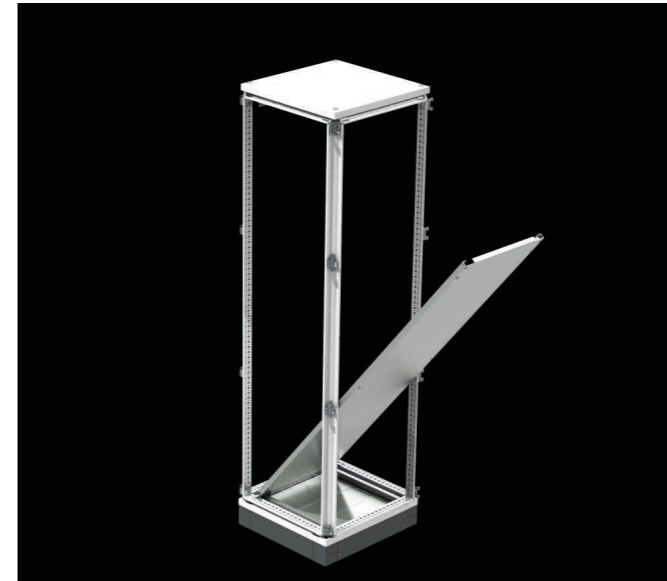
All gaskets apply pressure on the convex frame curves. Dust and water particles are left in the space between the convex curves, and thus pressure on the gasket is prevented.

All seal applications on the covers press on the convex curves in the carcasses. Dust and water droplets are left in the area between these convex curves and the pressure on the seal is prevented.



Applied to double-door enclosures, the insulating gasket assumes a full protective role between two panels and the frame when both doors close over the gasket.

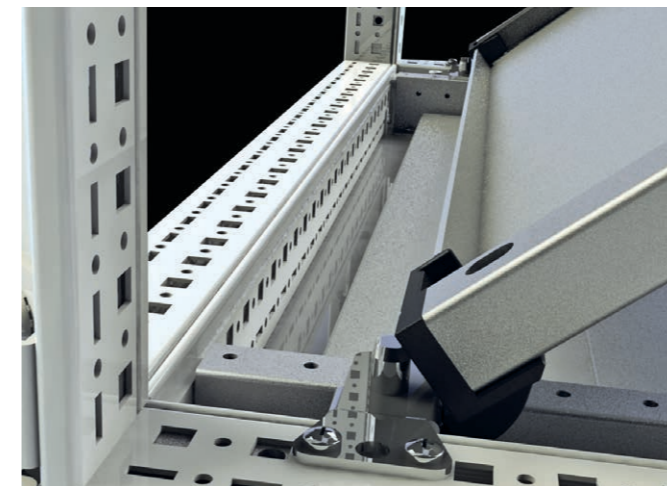
Applied to all front doors and panels, the liquid seal is used in all double-door enclosures and acts as an insulator between two doors. Locking system of both doors work separately and this enables a full gasket pressing



Manufactured from a 3,00 mm galvanized steel, TEOS mounting plates are railed and easily mounted. With its thick steel sheet structure, the mounting plate can carry heavy equipment with its rigid structure and does not need additional side support parts. In this way, bayed enclosure space is increased in combined enclosures.



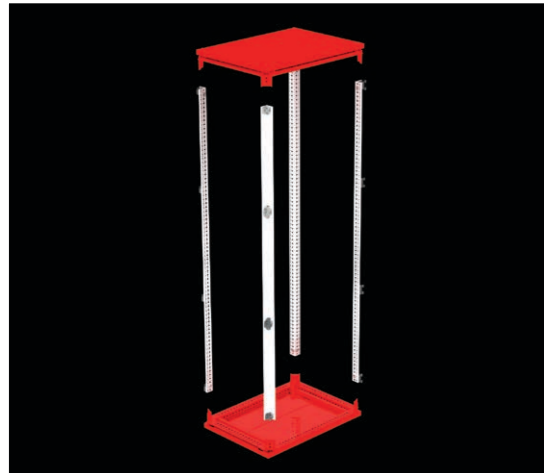
Connected to the mounting plates, the intermediate mounting plate increases space and can move back and front together with the mounting plates.



SIZES and MODELS (DISASSEMBLED)

SIZES and MODELS (DISASSEMBLED)

TOP/BOTTOM GROUP



Relevant Size : ENCLOSURE WIDTH x DEPTH
 Material : Body : 1,50 mm galvanized steel+steel + Nano Plating + Electrostatic Powder Coating RAL 7035
 Top Cover : 1,50 mm mild steel + Nano Plating + Electrostatic Powder Coating RAL 7035
 Bottom : 1,50 mm mild steel + Nano Plating + Electrostatic Powder Coating RAL 7035
 Gland Plate : 1,50 mm galvanized steel

Supply Includes : 1 set of upper body, 1 set of lower body, 1 pcs gland plate, 1 pcs top cover and body mounting parts.

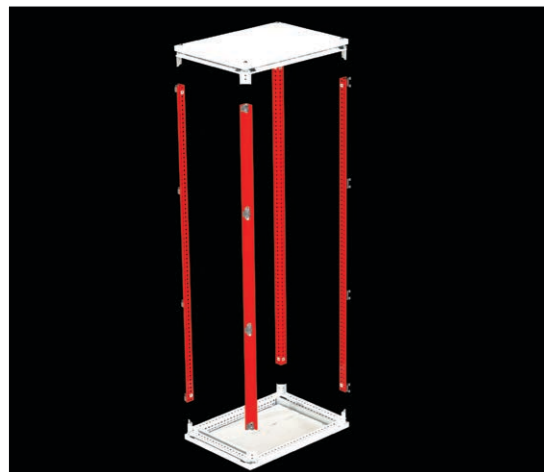
NOTE : 4 pcs eyebolts is added upon your request.

PRODUCT CODE	WIDTH (mm)	DEPTH (mm)
701.450	400	500
701.460	400	600
701.480	400	800
701.640	600	400
701.650	600	500
701.660	600	600
701.680	600	800
701.610	600	1000

PRODUCT CODE	WIDTH (mm)	DEPTH (mm)
701.740	700	400
701.750	700	500
701.760	700	600
701.780	700	800
701.840	800	400
701.850	800	500
701.860	800	600
701.880	800	800
701.810	800	1000

PRODUCT CODE	WIDTH (mm)	DEPTH (mm)
701.040	1000	400
701.050	1000	500
701.060	1000	600
701.080	1000	800
701.240	1200	400
701.250	1200	500
701.260	1200	600
701.280	1200	800

VERTICAL FRAME GROUP



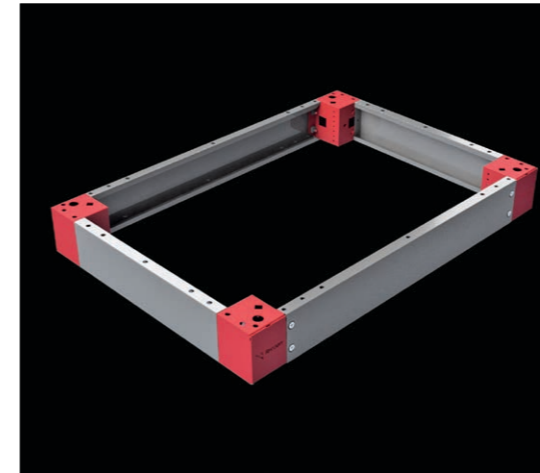
Relevant Size : ENCLOSURE HEIGHT

Material : Frame : 1,50 mm galvanized steel + Nano Plating + Electrostatic Powder Coating RAL 7035

Supply Includes : 4 pcs vertical frame

PRODUCT CODE	HEIGHT (mm)
702.120	1200
702.160	1600
702.180	1800
702.200	2000
702.220	2200

PLINTH CORNER PART



Relevant Size : PLINTH HEIGHT

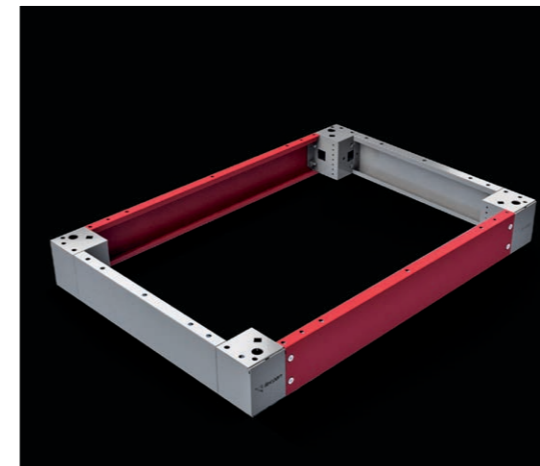
Material : Corner part : 2,00 mm galvanized steel + RAL 7012 powder-coating
 Plastic Panel : RAL 7012 ABS Plastic

Supply Includes : 4 pcs 100 mm or 200 mm high plinth corner part, 4 pcs plastic cover and mounting parts

NOTE : Please see page 154-159 for plinth accessories.

PRODUCT CODE	TEOS Plinth Height (mm)
708.100	100
708.200	200

PLINTH FRONT COVERS



Relevant Size : ENCLOSURE WIDTH

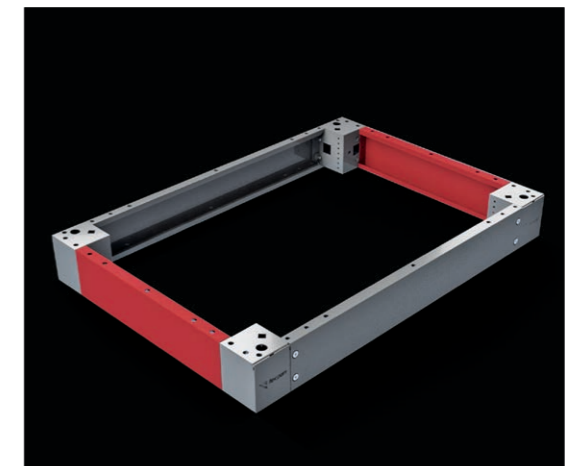
Material : 1,50 mm galvanized steel + RAL 7012 powder-coating

Supply Includes : 2 pcs 100 mm high front plinth panel and mounting parts

NECESSARY : 2 sets of front plinth panel group for 200 mm height plinths.

PRODUCT CODE	Enclosure Width (mm)
709.140	400
709.160	600
709.170	700
709.180	800
709.100	1000
709.120	1200

PLINTH SIDE COVERS



Relevant Size : ENCLOSURE DEPTH

Material : 1,50 mm galvanized steel + RAL 7012 powder-coating

Supply Includes : 2 pcs 100 mm high side plinth panel and mounting parts

NECESSARY : 2 sets of front plinth panel group for 200 mm height plinths.

PRODUCT CODE	Enclosure Depth (mm)
710.140	400
710.150	500
710.160	600
710.180	800
710.100	1000

SIZES and MODELS (DISASSEMBLED)

MOUNTING PLATE



Relevant size : ENCLOSURE WIDTH x HEIGHT

Material : 3,00 mm Galvanized steel + 2,00 mm Galvanized Sac

Supply Includes: 1 pcs Mounting Plate and Mounting Parts

TEOS plus ENCLOSURE mm		
PRODUCT CODE	WIDTH (mm)	HEIGHT (mm)
717.418	400	1800
717.420	400	2000
707.612	600	1200
707.616	600	1600
707.618	600	1800
707.620	600	2000
707.622	600	2200

TEOS plus ENCLOSURE mm		
PRODUCT CODE	WIDTH (mm)	HEIGHT (mm)
707.718	700	1800
707.720	700	2000
707.812	800	1200
707.816	800	1600
707.818	800	1800
707.820	800	2000
707. 822	800	2200

TEOS plus ENCLOSURE mm		
PRODUCT CODE	WIDTH (mm)	HEIGHT (mm)
707.018	1000	1800
707.020	1000	2000
707.212	1200	1200
707.216	1200	1600
707.218	1200	1800
707.220	1200	2000
707.222	1200	2200

SIZES and MODELS (DISASSEMBLED)

BAYING KIT

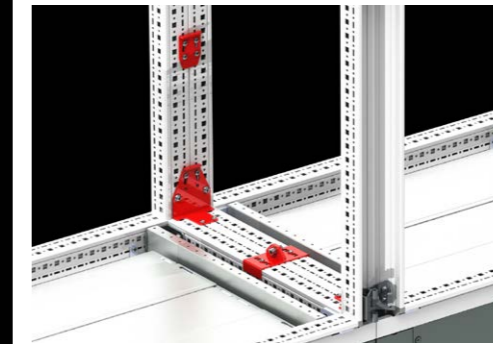


Material : 3,00 mm - 4,00 mm mild steel parts + zinc coated

Supply Includes : 2 pcs combination, 4 pcs angular brackets, 2 pcs adjustable bracket, 4 pcs fixing bracket, 5,60 m intermediate insulation gasket and mounting parts

Product Code : 711.000

NOTE : Please see page 162-164 for other combination and support systems.



INTERMEDIATE MOUNTING PLATE



Relevant size : ENCLOSURE HEIGHT

Material : 2,00 mm galvanized steel

Supply Includes: 1 pcs mounting plate, 3 pcs bracket and mounting parts

PRODUCT CODE	ENCLOSURE HEIGHT (mm)
712.120	1200
712.160	1600
712.180	1800
712.200	2000
712.220	2200

SIZES and MODELS (DISASSEMBLED)

SIZES and MODELS (DISASSEMBLED)



ENCLOSURE DEPTH 500 mm (D)		Height (H) 1200 mm			Height (H) 1600 mm		
		PENCLOSURE WIDTH mm (W)			PENCLOSURE WIDTH mm (W)		
Step	Product Description	Single Door 600	Single Door 800	Double Door 1200	Single Door 600	Single Door 800	Double Door 1200
1	TOP/BOTTOM GROUP	701.650	701.850	701.250	701.650	701.850	701.250
2	VERTICAL FRAMES GROUP	702.120	702.120	702.120	702.160	702.160	702.160
3	PLINTH CORNER PART H100mm (H2)	708.100	708.100	708.100	708.100	708.100	708.100
3	PLINTH CORNER PART H200mm (H2)	708.200	708.200	708.200	708.200	708.200	708.200
4	PLINTH FRONT COVERS H100mm (H2)	709.160	709.180	709.120	709.160	709.180	709.120
5	PLINTH SIDE COVERS H100mm (H2)	710.150	710.150	710.150	710.150	710.150	710.150
6	REAR PANEL	703.612	703.812	703.212	703.616	703.816	703.216
7	FRONT DOOR (SOLID)	724.612	724.812	724.212	724.616	724.816	724.216
8	SIDE PANELS (2 pcs.)	706.125	706.125	706.125	706.165	706.165	706.165
9	MOUNTING PLATE	707.612	707.812	707.212	707.616	707.816	707.216
10	BAYING KIT	711.000	711.000	711.000	711.000	711.000	711.000
11	EYEBOLT(4 pcs.)	612.000	612.000	612.000	612.000	612.000	612.000

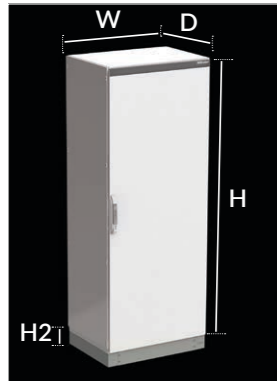
ENCLOSURE DEPTH 500 mm (D)		Height (H) 1800 mm					
		ENCLOSURE WIDTH mm (W)					
Step	Product Description	Single Door 400	Single Door 600	Single Door 800	Double Door 800	Double Door 1000	Double Door 1200
1	TOP/BOTTOM GROUP	701.450	701.650	701.850	701.850	701.050	701.250
2	VERTICAL FRAMES GROUP	702.180	702.180	702.180	702.180	702.180	702.180
3	PLINTH CORNER PART H100mm (H2)	708.100	708.100	708.100	708.100	708.100	708.100
3	PLINTH CORNER PART H200mm (H2)	708.200	708.200	708.200	708.200	708.200	708.200
4	PLINTH FRONT COVERS H100mm (H2)	709.140	709.160	709.180	709.180	709.100	709.120
5	PLINTH SIDE COVERS H100mm (H2)	710.150	710.150	710.150	710.150	710.150	710.150
6	REAR PANEL	703.418	703.618	703.818	703.818	703.018	703.218
7	FRONT DOOR (SOLID)	724.418	724.618	724.818	724.811	724.018	724.218
7	FRONT DOOR (GLAZED)	-	725.618	725.818	-	-	-
8	SIDE PANELS (2 pcs.)	706.185	706.185	706.185	706.185	706.185	706.185
9	MOUNTING PLATE	-	707.618	707.818	707.818	707.018	707.218
10	BAYING KIT	711.000	711.000	711.000	711.000	711.000	711.000
11	EYEBOLT(4 pcs.)	612.000	612.000	612.000	612.000	612.000	612.000

ENCLOSURE DEPTH 400 mm (D)		Height (H) 1800 mm				
		ENCLOSURE WIDTH mm (W)				
Step	Product Description	Single Door 600	Single Door 800	Double Door 800	Double Door 1000	Double Door 1200
1	TOP/BOTTOM GROUP	701.640	701.840	701.840	701.040	701.240
2	VERTICAL FRAMES GROUP	702.180	702.180	702.180	702.180	702.180
3	PLINTH CORNER PART H100mm (H2)	708.100	708.100	708.100	708.100	708.100
3	PLINTH CORNER PART H200mm (H2)	708.200	708.200	708.200	708.200	708.200
4	PLINTH FRONT COVERS H100mm (H2)	709.160	709.180	709.180	709.100	709.120
5	PLINTH SIDE COVERS H100mm (H2)	710.140	710.140	710.140	710.140	710.140
6	REAR PANEL	703.618	703.818	703.818	703.018	703.218
7	FRONT DOOR (SOLID)	724.618	724.818	724.811	724.018	724.218
7	FRONT DOOR (GLAZED)	725.618	725.818	-	-	-
8	SIDE PANELS (2 pcs.)	706.184	706.184	706.184	706.184	706.184
9	MOUNTING PLATE	707.618	707.818	707.818	707.018	707.218
10	BAYING KIT	711.000	711.000	711.000	711.000	711.000
11	EYEBOLT(4 pcs.)	612.000	612.000	612.000	612.000	612.000

ENCLOSURE DEPTH 600 mm (D)		Height (H) 1800 mm					
		ENCLOSURE WIDTH mm (W)					
Step	Product Description	Single Door 400	Single Door 600	Single Door 800	Single Door 800	Double Door 1000	Double Door 1200
1	TOP/BOTTOM GROUP	701.460	701.660	701.860	701.860	701.060	701.260
2	VERTICAL FRAMES GROUP	702.180	702.180	702.180	702.180	702.180	702.180
3	PLINTH CORNER PART H100mm (H2)	708.100	708.100	708.100	708.100	708.100	708.100
3	PLINTH CORNER PART H200mm (H2)	708.200	708.200	708.200	708.200	708.200	708.200
4	PLINTH FRONT COVERS H100mm (H2)	709.140	709.160	709.180	709.180	709.100	709.120
5	PLINTH SIDE COVERS H100mm (H2)	710.160	710.160	710.160	710.160	710.160	710.160
6	REAR PANEL	703.418	703.618	703.818	703.818	703.018	703.218
7	FRONT DOOR (SOLID)	724.418	724.618	724.818	724.818	724.018	724.218
7	FRONT DOOR (GLAZED)	-	725.618	725.818	-	-	-
8	SIDE PANELS (2 pcs.)	706.186	706.186	706.186	706.186	706.186	706.186
9	MOUNTING PLATE	-	707.618	707.818	707.818	707.018	707.218
10	BAYING KIT	711.000	711.000	711.000	711.000	711.000	711.000
11	EYEBOLT(4 pcs.)	612.000	612.000	612.000	612.000	612.000	612.000

SIZES and MODELS (DISASSEMBLED)

SIZES and MODELS (DISASSEMBLED)



		Height (H) 2000 mm						
		ENCLOSURE DEPTH 400 mm (D)			ENCLOSURE WIDTH mm (W)			
Step	Product Description	Single Door 600	Single Door 700	Single Door 800	Double Door 800	Single Door 1000	Double Door 1000	Double Door 1200
1	TOP/BOTTOM GROUP	701.640	701.740	701.840	701.840	701.040	701.040	701.240
2	VERTICAL FRAMES GROUP	702.200	702.200	702.200	702.200	702.200	702.200	702.200
3	PLINTH CORNER PART H100mm (H2)	708.100	708.100	708.100	708.100	708.100	708.100	708.100
3	PLINTH CORNER PART H200mm (H2)	708.200	708.200	708.200	708.200	708.200	708.200	708.200
4	PLINTH FRONT COVERS H100mm (H2)	709.160	709.170	709.180	709.180	709.100	709.100	709.120
5	PLINTH SIDE COVERS H100mm (H2)	710.140	710.140	710.140	710.140	710.140	710.140	710.140
6	REAR PANEL	703.620	703.720	703.820	703.820	703.020	703.020	703.220
7	FRONT DOOR (SOLID)	724.620	724.720	724.820	724.821	724.021	724.020	724.220
7	FRONT DOOR (GLAZED)	725.620	725.720	725.820	-	-	-	-
8	SIDE PANELS (2 pcs)	706.204	706.204	706.204	706.204	706.204	706.204	706.204
9	MOUNTING PLATE	707.620	707.720	707.820	707.820	707.020	707.020	707.220
10	BAYING KIT	711.000	711.000	711.000	711.000	711.000	711.000	711.000
11	EYEBOLT(4 pcs.)	612.000	612.000	612.000	612.000	612.000	612.000	612.000

		Height (H) 2000 mm							
		ENCLOSURE DEPTH 500 mm (D)			ENCLOSURE WIDTH mm (W)				
Step	Product Description	Single Door 400	Single Door 600	Single Door 700	Single Door 800	Double Door 800	Single Door 1000	Double Door 1000	Double Door 1200
1	TOP/BOTTOM GROUP	701.450	701.650	701.750	701.850	701.850	701.050	701.050	701.250
2	VERTICAL FRAMES GROUP	702.200	702.200	702.200	702.200	702.200	702.200	702.200	702.200
3	PLINTH CORNER PART H100mm (H2)	708.100	708.100	708.100	708.100	708.100	708.100	708.100	708.100
3	PLINTH CORNER PART H200mm (H2)	708.200	708.200	708.200	708.200	708.200	708.200	708.200	708.200
4	PLINTH FRONT COVERS H100mm (H2)	709.140	709.160	709.170	709.180	709.180	709.100	709.100	709.120
5	PLINTH SIDE COVERS H100mm (H2)	710.150	710.150	710.150	710.150	710.150	710.150	710.150	710.150
6	REAR PANEL	703.420	703.620	703.720	703.820	703.820	703.020	703.020	703.220
7	FRONT DOOR (SOLID)	724.420	724.620	724.720	724.820	724.821	724.021	724.020	724.220
7	FRONT DOOR (GLAZED)	-	725.620	725.720	725.820	-	-	-	-
8	SIDE PANELS (2 pcs)	706.205	706.205	706.205	706.205	706.205	706.205	706.205	706.205
9	MOUNTING PLATE	-	707.620	707.720	707.820	707.820	707.020	707.020	707.220
10	BAYING KIT	711.000	711.000	711.000	711.000	711.000	711.000	711.000	711.000
11	EYEBOLT(4 pcs.)	612.000	612.000	612.000	612.000	612.000	612.000	612.000	612.000

		Height (H) 2000 mm							
		ENCLOSURE DEPTH 600 mm (D)			ENCLOSURE WIDTH mm (W)				
Step	Product Description	Single Door 400	Single Door 600	Single Door 700	Single Door 800	Double Door 800	Single Door 1000	Double Door 1000	Double Door 1200
1	TOP/BOTTOM GROUP	701.460	701.660	701.760	701.860	701.860	701.060	701.060	701.260
2	VERTICAL FRAMES GROUP	702.200	702.200	702.200	702.200	702.200	702.200	702.200	702.200
3	PLINTH CORNER PART H100mm (H2)	708.100	708.100	708.100	708.100	708.100	708.100	708.100	708.100
3	PLINTH CORNER PART H200mm (H2)	708.200	708.200	708.200	708.200	708.200	708.200	708.200	708.200
4	PLINTH FRONT COVERS H100mm (H2)	709.140	709.160	709.170	709.180	709.180	709.100	709.100	709.120
5	PLINTH SIDE COVERS H100mm (H2)	710.160	710.160	710.160	710.160	710.160	710.160	710.160	710.160
6	REAR PANEL	703.420	703.620	703.720	703.820	703.820	703.020	703.020	703.220
7	FRONT DOOR (SOLID)	724.420	724.620	724.720	724.820	724.821	724.021	724.020	724.220
7	FRONT DOOR (GLAZED)	-	725.620	725.720	725.820	-	-	-	-
8	SIDE PANELS (2 pcs)	706.206	706.206	706.206	706.206	706.206	706.206	706.206	706.206
9	MOUNTING PLATE	-	707.620	707.720	707.820	707.820	707.020	707.020	707.220
10	BAYING KIT	711.000	711.000	711.000	711.000	711.000	711.000	711.000	711.000
11	EYEBOLT(4 pcs.)	612.000	612.000	612.000	612.000	612.000	612.000	612.000	612.000

		Height (H) 2000 mm							
		ENCLOSURE DEPTH 800 mm (D)			ENCLOSURE WIDTH mm (W)				
Step	Product Description	Single Door 400	Single Door 600	Single Door 700	Single Door 800	Double Door 800	Single Door 1000	Double Door 1000	Double Door 1200
1	TOP/BOTTOM GROUP	701.480	701.680	701.780	701.880	701.880	701.080	701.080	701.280
2	VERTICAL FRAMES GROUP	702.200	702.200	702.200	702.200	702.200	702.200	702.200	702.200
3	PLINTH CORNER PART H100mm (H2)	708.100	708.100	708.100	708.100	708.100	708.100	708.100	708.100
3	PLINTH CORNER PART H200mm (H2)	708.200	708.200	708.200	708.200	708.200	708.200	708.200	708.200
4	PLINTH FRONT COVERS H100mm (H2)	709.140	709.160	709.170	709.180	709.180	709.100	709.100	709.120
5	PLINTH SIDE COVERS H100mm (H2)	710.180	710.180	710.180	710.180	710.180	710.180	710.180	710.180
6	REAR PANEL	703.420	703.620	703.720	703.820	703.820	703.020	703.020	703.220
7	FRONT DOOR (SOLID)	724.420	724.620	724.720	724.820	724.821	724.021	724.020	724.220
7	FRONT DOOR (GLAZED)	-	725.620	725.720	725.820	-	-	-	-
8	SIDE PANELS (2 pcs)	706.208	706.208	706.208	706.208	706.208	706.208	706.208	706.208
9	MOUNTING PLATE	-	707.620	707.720	707.820	707.820	707.020	707.020	707.220
10	BAYING KIT	711.000	711.000	711.000	711.000	711.000	711.000	711.000	711.000
11	EYEBOLT(4 pcs.)	612.000	612.000	612.000	612.000	612.000	612.000	612.000	612.000

		Height (H) 2000 mm				
		ENCLOSURE DEPTH 1000 mm (D)			ENCLOSURE WIDTH mm (W)	
Step	Product Description	Single Door 400	Single Door 600	Single Door 700	Single Door 800	Double Door 800
1	TOP/BOTTOM GROUP	701.410	701.610	701.710	701.810	701.810
2	VERTICAL FRAMES GROUP	702.200	702.200	702.200	702.200	702.200
3	PLINTH CORNER PART H100mm (H2)	708.100	708.100	708.100	708.100	708.100
3	PLINTH CORNER PART H200mm (H2)	708.200	708.200	708.200	708.200	708.200
4	PLINTH FRONT COVERS H100mm (H2)	709.140	709.160	709.170	709.180	709.180
5	PLINTH SIDE COVERS H100mm (H2)	710.110	710.110	710.110	710.110	710.110
6	REAR PANEL	703.420	703.620	703.720	703.820	703.820
7	FRONT DOOR (SOLID)	724.420	724.620	724.720	724.820	724.821
7	FRONT DOOR (GLAZED)	-	725.620	725.720	725.820	-
8	SIDE PANELS (2 pcs)	706.210	706.210	706.210	706.210	706.210
9	MOUNTING PLATE	-	707.620	707.720	707.820	707.820
10	BAYING KIT	711.000	711.000	711.000	711.000	711.000
11	EYEBOLT(4 pcs.)	612.000	612.000	612.000	612.000	612.000

SIZES and MODELS (ASSEMBLED)



		Height (H) 2200 mm		
		ENCLOSURE WIDTH mm (W)		
ENCLOSURE DEPTH 600 mm (D)		Single Door 600	Single Door 800	Double Door 1200
Step	Product Description			
1	TOP/BOTTOM GROUP	701.660	701.860	701.260
2	VERTICAL FRAMES GROUP	702.220	702.220	702.220
3	PLINTH CORNER PART H100mm (H2)	708.100	708.100	708.100
3	PLINTH CORNER PART H200mm (H2)	708.200	708.200	708.200
4	PLINTH FRONT COVERS H100mm (H2)	709.160	709.180	709.120
5	PLINTH SIDE COVERS H100mm (H2)	710.160	710.160	710.160
6	REAR PANEL	703.622	703.822	703.222
7	FRONT DOOR (SOLID)	724.622	724.822	724.222
8	SIDE PANELS (2 pcs)	706.226	706.226	706.226
9	MOUNTING PLATE	707.622	707.822	707.222
10	BAYING KIT	711.000	711.000	711.000
11	EYEBOLT(4 pcs.)	612.000	612.000	612.000

SOLID DOOR, MOUNTING PLATE						
HEIGHT (H) 1200						Side Panel (2 Pcs)
WIDTH (W)	HEIGHT (H)	DEPTH (D)	Without Plinth	H100 with Plinth	H200 with Plinth	
600	1200	500	706.125.011	706.125.111	706.125.211	706.125
800	1200	500	708.125.011	708.125.111	708.125.211	706.125
1200	1200	500	712.125.011	712.125.111	712.125.211	706.125

SOLID DOOR, Without MOUNTING PLATE						
HEIGHT (H) 1200						Side Panel (2 Pcs)
WIDTH (W)	HEIGHT (H)	DEPTH (D)	Without Plinth	H100 with Plinth	H200 with Plinth	
600	1200	500	706.125.000	706.125.100	706.125.200	706.125
800	1200	500	708.125.000	708.125.100	708.125.200	706.125
1200	1200	500	712.125.000	712.125.100	712.125.200	706.125

ATTENTION : Mounting Plate thickness of the mounting plate is chosen as 3,00 mm as standard.
ATTENTION : Mounting Plate, Side Panel and Plinth are optional as per selection table
REQUIRED : For panel assembly, a baying kit is required for each baying point. Baying Kit Product Code: 711.000
SUPPLY INCLUDES : Top / Bottom Group, Vertical Frame Group, Front Door, Rear Panel

SIZES and MODELS (ASSEMBLED)

SOLID DOOR, MOUNTING PLATE						
HEIGHT (H) 1600						Side Panel (2 Pcs)
WIDTH (W)	HEIGHT (H)	DEPTH (D)	Without Plinth	H100 with Plinth	H200 with Plinth	
600	1200	500	706.165.011	706.165.111	706.165.211	706.165
800	1200	500	708.165.011	708.165.111	708.165.211	706.165
1200	1200	500	712.165.011	712.165.111	712.165.211	706.165

SOLID DOOR, Without MOUNTING PLATE						
HEIGHT (H) 1600						Side Panel (2 Pcs)
WIDTH (W)	HEIGHT (H)	DEPTH (D)	Without Plinth	H100 with Plinth	H200 with Plinth	
600	1200	500	706.165.000	706.165.100	706.165.200	706.165
800	1200	500	708.165.000	708.165.100	708.165.200	706.165
1200	1200	500	712.165.000	712.165.100	712.165.200	706.165

ATTENTION : Mounting Plate thickness of the mounting plate is chosen as 3,00 mm as standard.
ATTENTION : Mounting Plate, Side Panel and Plinth are optional as per selection table
REQUIRED : For panel assembly, a baying kit is required for each baying point. Baying Kit Product Code: 711.000
SUPPLY INCLUDES : Top / Bottom Group, Vertical Frame Group, Front Door, Rear Panel

HEIGHT (H) 1800		SOLID DOOR, MOUNTING PLATE			SOLID DOOR, Without MOUNTING PLATE		
WIDTH (W)	DEPTH (D)	Without Plinth	H100 with Plinth	H200 with Plinth	Without Plinth	H100 with Plinth	H200 with Plinth
400	500	704.185.011	704.185.111	704.185.211	704.185.000	704.185.100	704.185.200
400	600	704.186.011	704.186.111	704.186.211	704.186.000	704.186.100	704.186.200
600	400	706.184.011	706.184.111	706.184.211	706.184.000	706.184.100	706.184.200
600	500	706.185.011	706.185.111	706.185.211	706.185.000	706.185.100	706.185.200
600	600	706.186.011	706.186.111	706.186.211	706.186.000	706.186.100	706.186.200
800	400	708.184.011	708.184.111	708.184.211	708.184.000	708.184.100	708.184.200
800	500	708.185.011	708.185.111	708.185.211	708.185.000	708.185.100	708.185.200
800	600	708.186.011	708.186.111	708.186.211	708.186.000	708.186.100	708.186.200
1000	400	710.184.011	710.184.111	710.184.211	710.184.000	710.184.100	710.184.200
1000	500	710.185.011	710.185.111	710.185.211	710.185.000	710.185.100	710.185.200
1000	600	710.186.011	710.186.111	710.186.211	710.186.000	710.186.100	710.186.200
1200	400	712.184.011	712.184.111	712.184.211	712.184.000	712.184.100	712.184.200
1200	500	712.185.011	712.185.111	712.185.211	712.185.000	712.185.100	712.185.200
1200	600	712.186.011	712.186.111	712.186.211	712.186.000	712.186.100	712.186.200

Height (H) 1800		GLAZED DOOR, MOUNTING PLATE			GLAZED DOOR, without MOUNTING PLATE		
WIDTH (W)	DEPTH (D)	Without Plinth	H100 with Plinth	H200 with Plinth	Without Plinth	H100 with Plinth	H200 with Plinth
600	400	776.184.011	776.184.111	776.184.211	776.184.000	776.184.100	776.184.200
600	500	776.185.011	776.185.111	776.185.211	776.185.000	776.185.100	776.185.200
600	600	776.186.011	776.186.111	776.186.211	776.186.000	776.186.100	776.186.200
800	400	778.184.011	778.184.111	778.184.211	778.184.000	778.184.100	778.184.200
800	500	778.185.011	778.185.111	778.185.211	778.185.000	778.185.100	778.185.200
800	600	778.186.011	778.186.111	778.186.211	778.186.000	778.186.100	778.186.200

ATTENTION : Mounting Plate thickness of the mounting plate is chosen as 3,00 mm as standard.
ATTENTION : Mounting Plate, Side Panel and Plinth are optional as per selection table
REQUIRED : For panel assembly, a baying kit is required for each baying point. Baying Kit Product Code: 711.000
SUPPLY INCLUDES : Top / Bottom Group, Vertical Frame Group, Front Door, Rear Panel

SIZES and MODELS (ASSEMBLED)

SIZES and MODELS (ASSEMBLED)

Height (H) 2000		SOLID DOOR, MOUNTING PLATE			SOLID DOOR, Without MOUNTING PLATE		
Width (W)	Depth (D)	Without Plinth	H100 with Plinth	H200 with Plinth	Without Plinth	H100 with Plinth	H200 with Plinth
400	500	704.205.011	704.205.111	704.205.211	704.205.000	704.205.100	704.205.200
400	600	704.206.011	704.206.111	704.206.211	704.206.000	704.206.100	704.206.200
400	800	704.208.011	704.208.111	704.208.211	704.208.000	704.208.100	704.208.200
600	400	706.204.011	706.204.111	706.204.211	706.204.000	706.204.100	706.204.200
600	500	706.205.011	706.205.111	706.205.211	706.205.000	706.205.100	706.205.200
600	600	706.206.011	706.206.111	706.206.211	706.206.000	706.206.100	706.206.200
600	800	706.208.011	706.208.111	706.208.211	706.208.000	706.208.100	706.208.200
600	1000	706.200.011	706.200.111	706.200.211	706.200.000	706.210.000	706.220.000
700	400	707.204.011	707.204.111	707.204.211	707.204.000	707.204.100	707.204.200
700	500	707.205.011	707.205.111	707.205.211	707.205.000	707.205.100	707.205.200
700	600	707.206.011	707.206.111	707.206.211	707.206.000	707.206.100	707.206.200
700	800	707.208.011	707.208.111	707.208.211	707.208.000	707.208.100	707.208.200
800	400	708.204.011	708.204.111	708.204.211	708.204.000	708.204.100	708.204.200
800	500	708.205.011	708.205.111	708.205.211	708.205.000	708.205.100	708.205.200
800	600	708.206.011	708.206.111	708.206.211	708.206.000	708.206.100	708.206.200
800	800	708.208.011	708.208.111	708.208.211	708.208.000	708.208.100	708.208.200
800	1000	708.200.011	708.200.111	708.200.211	708.200.000	708.210.000	708.220.000
1000	400	710.204.011	710.204.111	710.204.211	710.204.000	710.204.100	710.204.200
1000	500	710.205.011	710.205.111	710.205.211	710.205.000	710.205.100	710.205.200
1000	600	710.206.011	710.206.111	710.206.211	710.206.000	710.206.100	710.206.200
1000	800	710.208.011	710.208.111	710.208.211	710.208.000	710.208.100	710.208.200
1200	400	712.204.011	712.204.111	712.204.211	712.204.000	712.204.100	712.204.200
1200	500	712.205.011	712.205.111	712.205.211	712.205.000	712.205.100	712.205.200
1200	600	712.206.011	712.206.111	712.206.211	712.206.000	712.206.100	712.206.200
1200	800	712.208.011	712.208.111	712.208.211	712.208.000	712.208.100	712.208.200

ATTENTION : Mounting Plate thickness of the mounting plate is chosen as 3,00 mm as standard.
ATTENTION : Mounting Plate, Side Panel and Plinth are optional as per selection table
REQUIRED : For panel assembly, a baying kit is required for each baying point. Baying Kit Product Code: 711.000
SUPPLY INCLUDES : Top / Bottom Group, Vertical Frame Group, Front Door, Rear Panel

Height (H) 2000		GLAZED DOOR, MOUNTING PLATE			Side Panel (2 Pcs)	GLAZED DOOR, without MOUNTING PLATE		
Width (W)	Depth (D)	Without Plinth	H100 with Plinth	H200 with Plinth		Without Plinth	H100 with Plinth	H200 with Plinth
600	400	776.204.011	776.204.111	776.204.211	706.204	776.204.000	776.204.100	776.204.200
600	500	776.205.011	776.205.111	776.205.211	706.205	776.205.000	776.205.100	776.205.200
600	600	776.206.011	776.206.111	776.206.211	706.206	776.206.000	776.206.100	776.206.200
600	800	776.208.011	776.208.111	776.208.211	706.208	776.208.000	776.208.100	776.208.200
600	1000	776.200.011	776.200.111	776.200.211	706.200	776.200.000	776.210.000	776.220.000
700	400	777.204.011	777.204.111	777.204.211	706.204	777.204.000	777.204.100	777.204.200
700	500	777.205.011	777.205.111	777.205.211	706.205	777.205.000	777.205.100	777.205.200
700	600	777.206.011	777.206.111	777.206.211	706.206	777.206.000	777.206.100	777.206.200
700	800	777.208.011	777.208.111	777.208.211	706.208	777.208.000	777.208.100	777.208.200
800	400	778.204.011	778.204.111	778.204.211	706.204	778.204.000	778.204.100	778.204.200
800	500	778.205.011	778.205.111	778.205.211	706.205	778.205.000	778.205.100	778.205.200
800	600	778.206.011	778.206.111	778.206.211	706.206	778.206.000	778.206.100	778.206.200
800	800	778.208.011	778.208.111	778.208.211	706.208	778.208.000	778.208.100	778.208.200
800	1000	778.200.011	778.200.111	778.200.211	706.200	778.200.000	778.210.100	778.210.200

ATTENTION : Mounting Plate thickness of the mounting plate is chosen as 3,00 mm as standard.
ATTENTION : Mounting Plate, Side Panel and Plinth are optional as per selection table
REQUIRED : For panel assembly, a baying kit is required for each baying point. Baying Kit Product Code: 711.000
SUPPLY INCLUDES : Top / Bottom Group, Vertical Frame Group, Front Door, Rear Panel

SOLID DOOR, MOUNTING PLATE						
Height (H) 2200						Side Panel (2 Pcs)
Width (W)	Height (H)	Depth (D)	Without Plinth	H100 with Plinth	H200 with Plinth	
600	2200	600	706.226.011	706.226.111	706.165.211	706.226
800	2200	600	708.226.011	708.226.111	708.165.211	706.226
1200	2200	600	712.226.011	712.226.111	712.165.211	706.226

SOLID DOOR, without MOUNTING PLATE						
Height (H) 2200						Side Panel (2 Pcs)
Width (W)	Height (H)	Depth (D)	Without Plinth	H100 with Plinth	H200 with Plinth	
600	2200	600	706.226.000	706.226.100	706.226.200	706.226
800	2200	600	708.226.000	708.226.100	708.226.200	706.226
1200	2200	600	712.226.000	712.226.100	712.226.200	706.226

ATTENTION : Mounting Plate thickness of the mounting plate is chosen as 3,00 mm as standard.
ATTENTION : Mounting Plate, Side Panel and Plinth are optional as per selection table
REQUIRED : For panel assembly, a baying kit is required for each baying point. Baying Kit Product Code: 711.000
SUPPLY INCLUDES : Top / Bottom Group, Vertical Frame Group, Front Door, Rear Panel