



CE  
EAC  
IEC  
RoHS  
UK  
CA



**KMT-1000  
CONTROL DESK**

303



**KMT-2000  
CONTROL DESK**

304



**KMP-3000  
CONTROL DESK**

305



**PC CABINET**

306

CONTROL DESKS

KMT - 1000 CONTROL DESK



**Material** : Body, Doors : 1,50 mm Mild Steel + RAL 7035 electrostatic powder coating  
 Support plinth corner : 2.00 mm Galvanized steel+RAL 7035 electrostatic powder coating  
 Mounting plate : 2.00 mm Galvanized steel

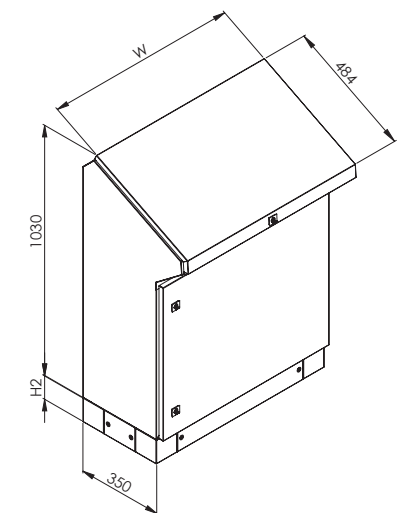
**IP Rate** : IP55

**Supply includes** : 1 pcs compact body, 1 pcs door, 1 pcs top panel with damper, 1 pcs mounting plate, 1 set of gland plate with foam, 1 pcs H100 plinth

- Please see page 350-351 for the stainless steel version.
- Please see page 410 for technical drawings.

- Hinged door on front-rear in KMT-2000 and KMP-3000.
- Standard damper support
- Single, fixed mounting plate for KMT-1000 series; double and sliding mounting plates for KMT-2000 and KMP-3000 series.
- Standard foamed gland plate
- Standard H100mm plinth

PRODUCT CODE	ENCLOSURE WIDTH (mm)	DOOR TYPE
516.350	600	SINGLE
518.350	800	SINGLE
510.350	1000	DOUBLE
512.350	1200	DOUBLE



KMT - 2000 CONTROL DESK



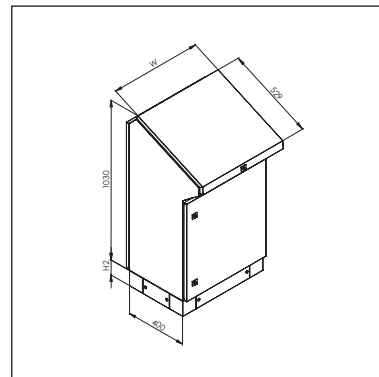
**Material** : Body, panels : 1,50 mm Mild Steel + RAL 7035 electrostatic powder coating  
 Support plinth corner : 2.00 mm Galvanized steel+RAL 7035 electrostatic powder coating  
 Mounting plate : 2.00 mm Galvanized steel

**IP Rate** : IP55

**Supply includes** : 1 pcs compact body, 1 pcs front door, 1 pcs top panel with damper, 1 pcs rear door,  
 2 pcs mounting plate, 1 pcs gland plate with foam, 1 set of H100mm plinth

- Standard top panel with damper
- Hinged, locked back door
- Two separate sliding mounting plates at the front and back.
- Please see page 350-351 for the stainless steel version.
- Please see page 411 for the technical drawings.

PRODUCT CODE	ENCLOSURE WIDTH (mm)	DOOR TYPE
526.400	600	SINGLE FRONT + REAR
528.400	800	SINGLE FRONT + REAR
520.400	1000	DOUBLE FRONT + REAR
522.400	1200	DOUBLE FRONT + REAR



KMP - 3000 CONTROL DESK



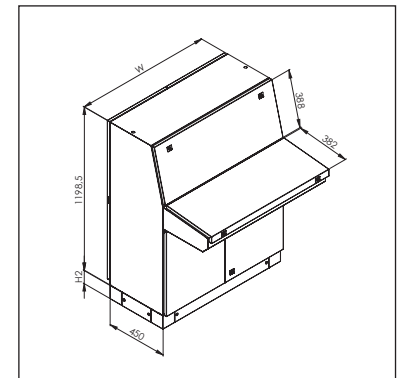
**Material** : Body, panels : 1,50 mm Mild Steel + RAL7035 electrostatic powder coating  
 Support plinth corner : 2.00 mm Galvanized steel + RAL 7035 electrostatic powder coating  
 Mounting plate : 2.00 mm Galvanized steel

**IP Rate** : IP55

**Supply includes** : 1 pcs main body, 1 pcs console body and damper panel, 1 pcs top panel,  
 1 pcs front panel, 1 pcs front door, 1 pcs rear door, 2 pcs mounting plates,  
 1 set of gland plate with foam, 100 mm plinth set

- Standard damper on the console panel
- Hinged door application on four separate surfaces: back door, front door, console panel and top panel.
- Two separate sliding mounting plate at the front and back.
- Please see page 412 for technical drawings.

PRODUCT CODE	ENCLOSURE WIDTH (mm)	DOOR TYPE
538.450	800	SINGLE FRONT + REAR
530.450	1000	DOUBLE FRONT + REAR
532.450	1200	DOUBLE FRONT + REAR



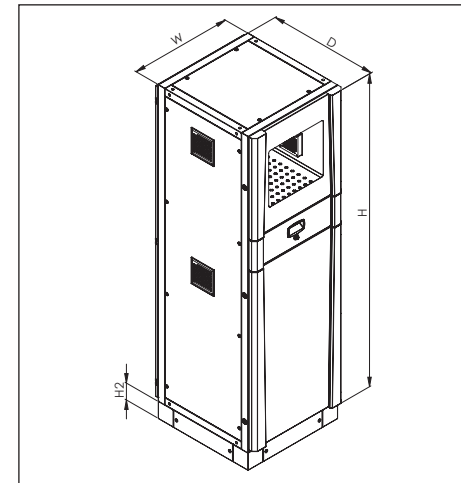
PC CABINET



- Closed-system keyboard and mouse
- No dust-holding when keyboard and mouse used.
- Please see page 413 for technical drawings.



PC CABINET

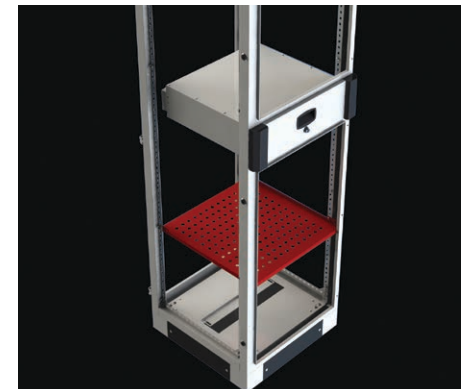


**Material** : Completely steel material : 1,50 mm mild steel + RAL 7035 coating  
 Front frame : RAL 9005 coating  
 Glass : 4 mm tempered glass

**IP Rate** : IP55

**Supply includes** : 1 pcs body, openable back door, 2 pcs partial front doors, sliding keyboard part, 2 pcs fixed shelf, H100mm plinth, gland plate with foam, 4 pcs filters.

PRODUCT CODE	PC CABINET WIDTH (W)	PC CABINET HEIGHT (H+H2)	PC CABINET DEPTH (D)
406.186	600	1800+100	600
406.188	600	1800+100	800



**FIXED SHELF**

**Material** : 1,50 mm mild steel + RAL 7035 coating

**Supply includes** : 1 pcs fixed shelf and screws

PRODUCT CODE	PC CABINET WIDTH (W)	PC CABINET DEPTH (D)
941.266	600	600
941.268	600	800

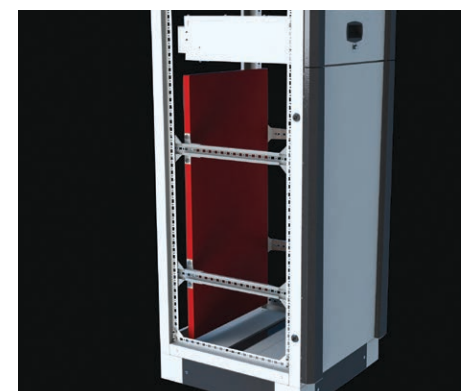


**MOVABLE SHELF**

**Material** : 1,50 mm mild steel + RAL 7035 coating

**Supply includes** : 1 pcs shelf rail

PRODUCT CODE	PC CABINET WIDTH (W)	PC CABINET DEPTH (D)
941.306	600	600
941.308	600	800



**MOUNTING PLATE**

**Material** : 2 mm Galvanized steel

**Supply includes** : 1 pcs mounting plate



PRODUCT CODE	PLATE WIDTH (W1)	PLATE HEIGHT (H3)
942.308	490	585
942.310	490	940