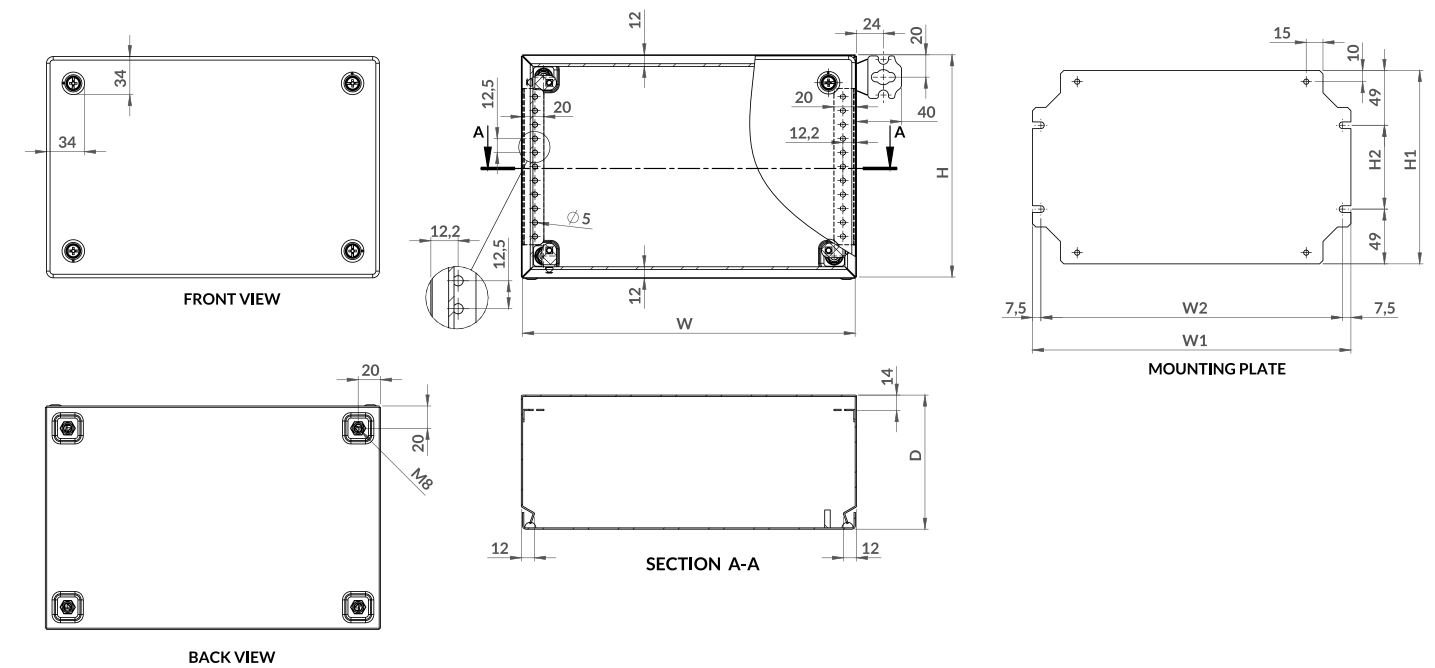
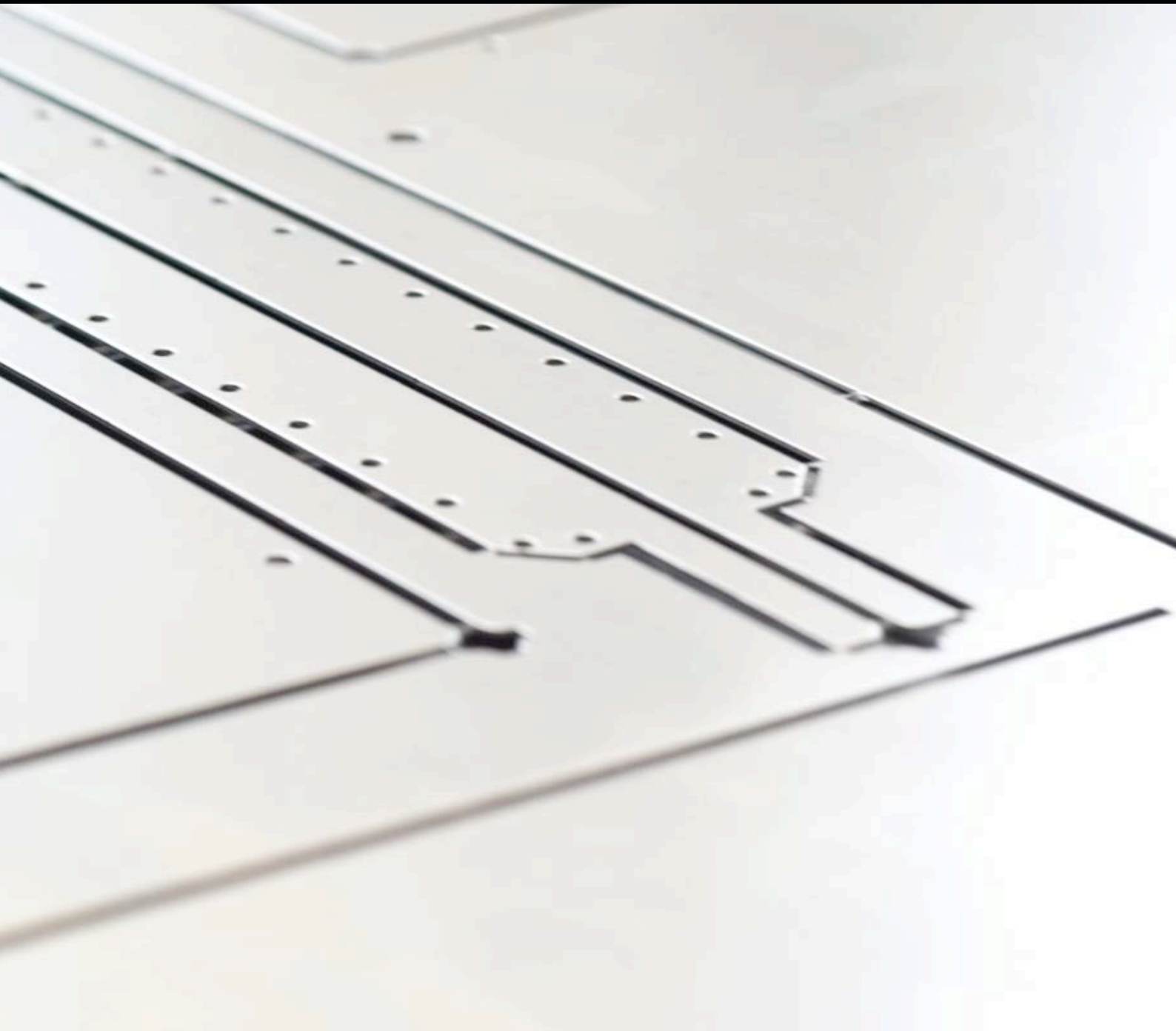


KT TERMINAL BOX



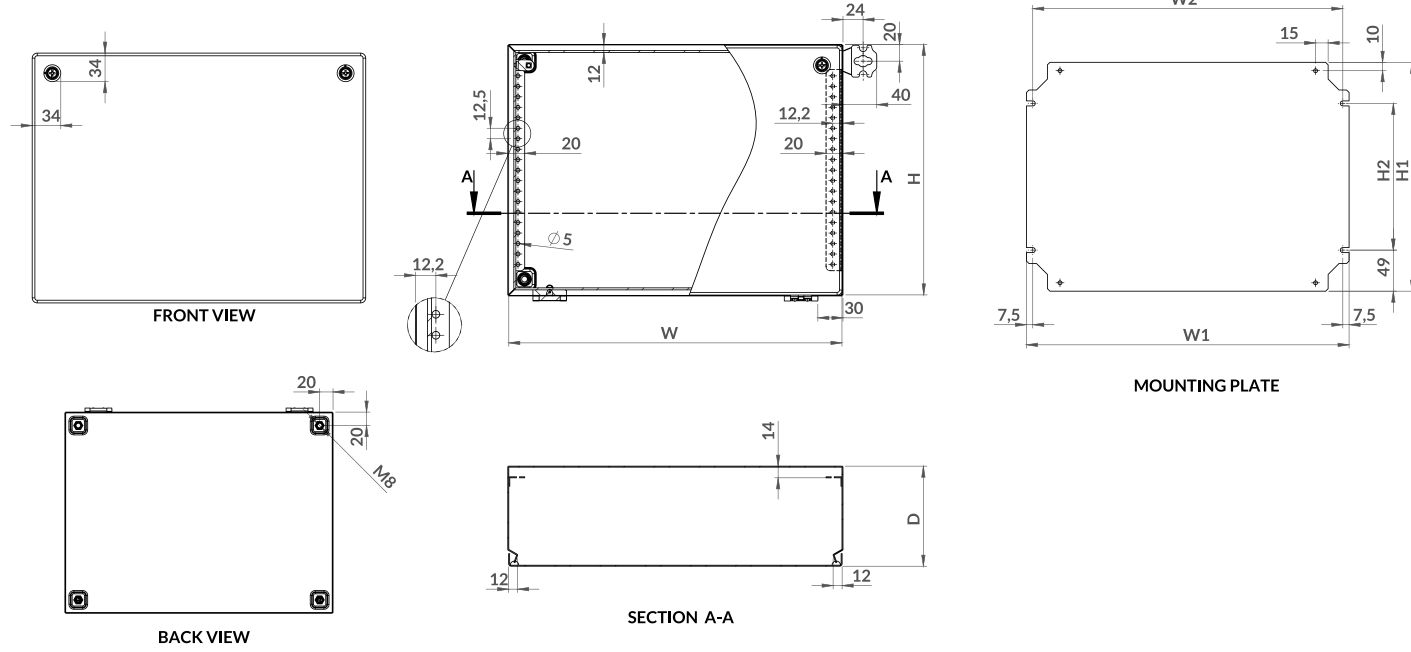
ENCLOSURE WIDTH (W)	W1	W2	ENCLOSURE HEIGHT (H)	H1	H2	ENCLOSURE DEPTH (D)
150	135	120	150	123	25	80
200	185	170	200	173	75	80
300	285	270	300	273	175	120
400	385	370	400	373	275	120
500	485	470				
600	585	570				
800	785	770				

Durability

The enclosures have been designed by experienced engineers for ease of use and durability.

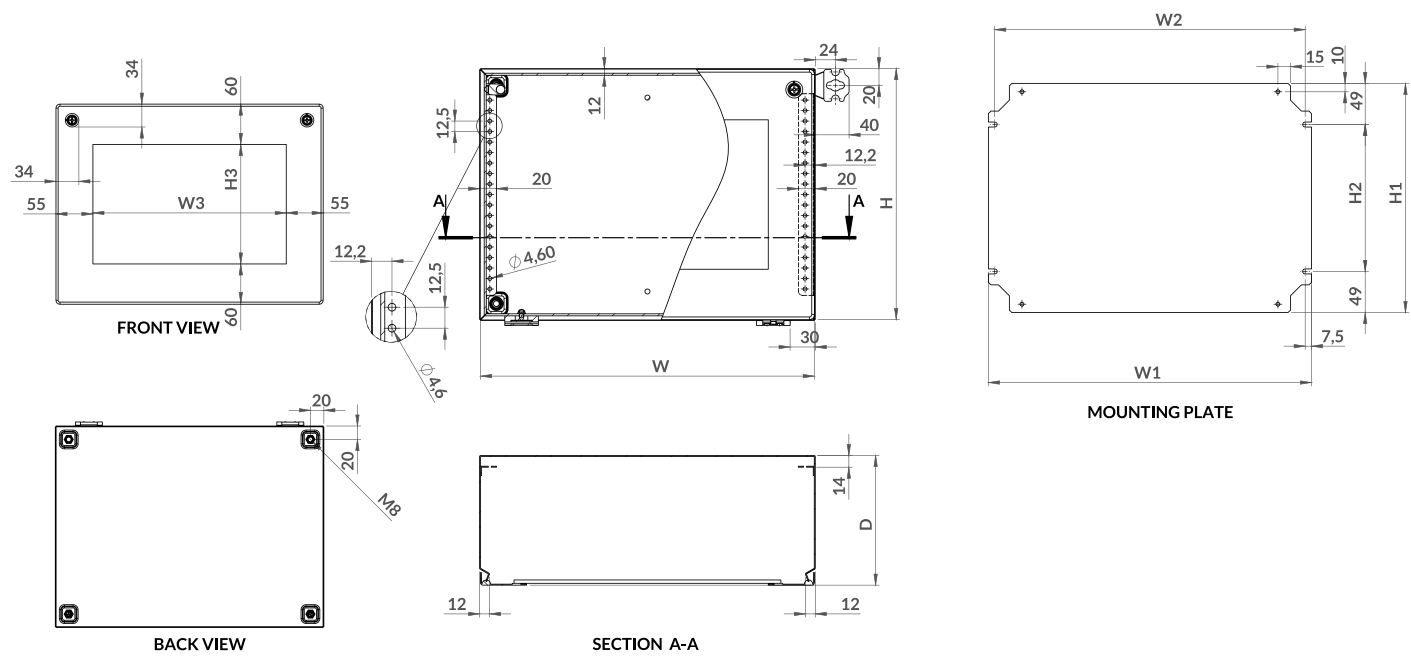
KT BUS BOX

KT SOLID DOOR BUS BOX



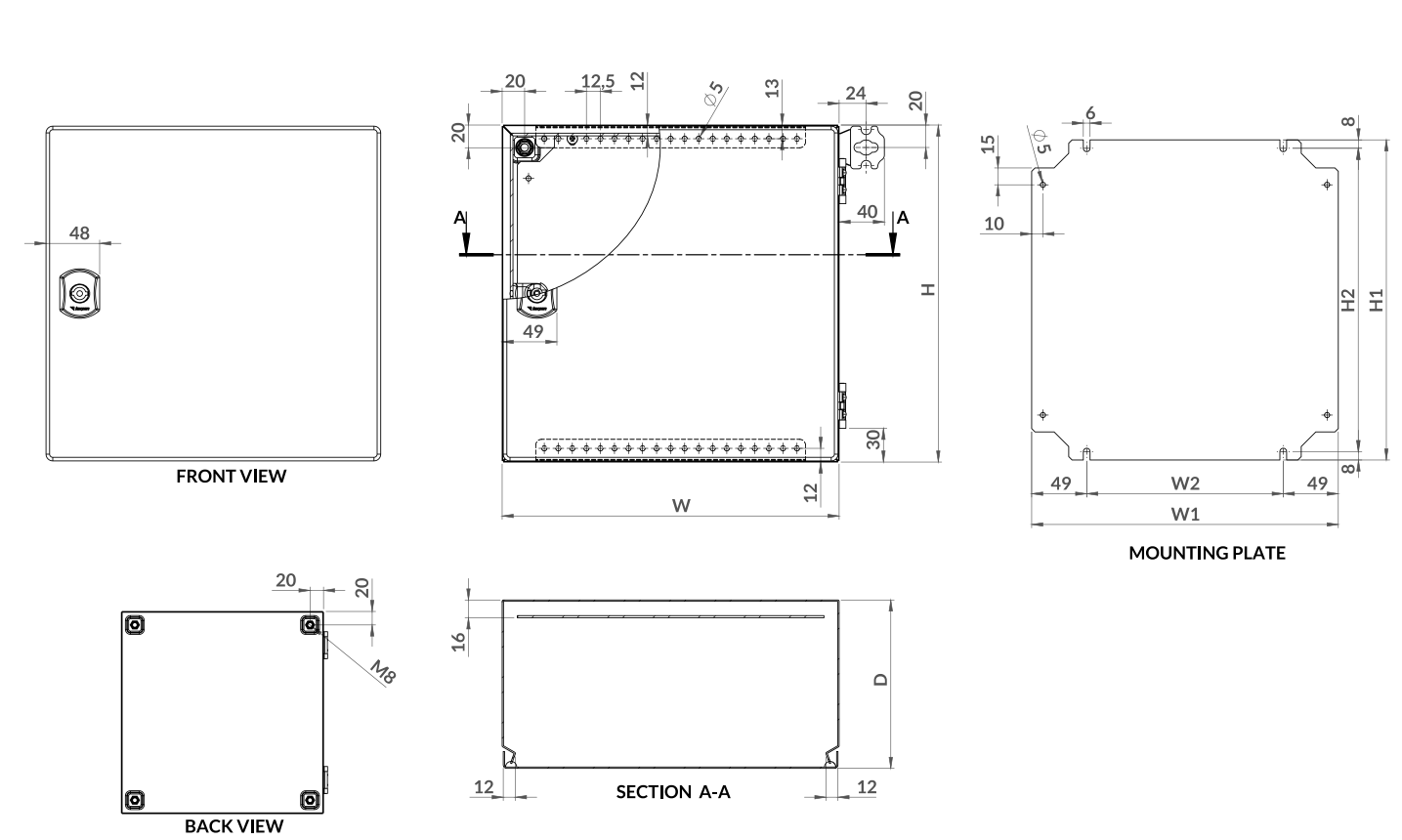
ENCLOSURE WIDTH (W)	W1	W2	ENCLOSURE HEIGHT (H)	H1	H2	ENCLOSURE DEPTH (D)
400	385	370	200	173	25	155
600	585	570	300	273	175	
800	785	770	-	-	-	

KT GLAZED DOOR BUS BOX



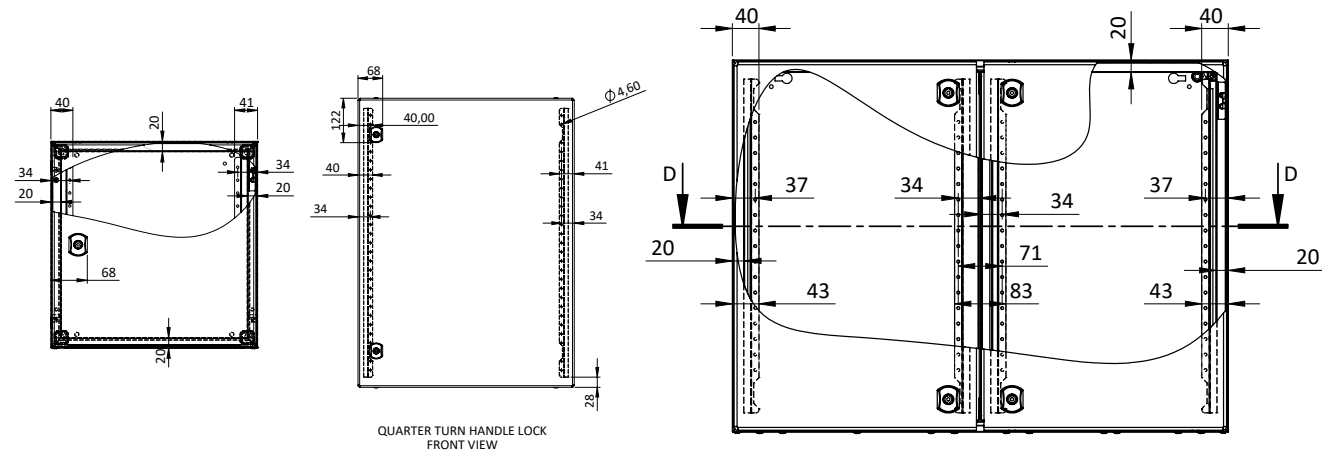
ENCLOSURE WIDTH (W)	W1	W2	W3	ENCLOSURE HEIGHT (H)	H1	H2	H2	ENCLOSURE DEPTH (D)
400	385	370	288	200	173	25	78	155
600	585	570	488	300	273	75	178	
800	785	770	688	-	-	-	-	

DM-SMALL ENCLOSURE



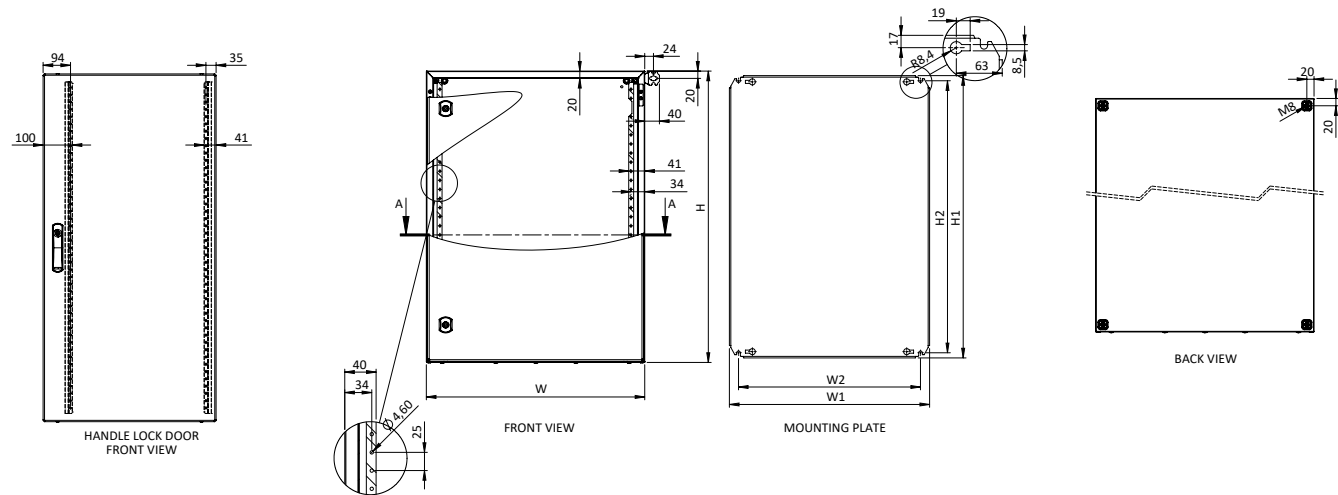
ENCLOSURE WIDTH (W)	W1	W2	ENCLOSURE HEIGHT (H)	H1	H2	ENCLOSURE DEPTH (D)
200	185	75	200	173	170	150
250	235	125	250	223	220	
300	285	175	300	273	270	-
400	385	275	400	373	370	

DM-MEDIUM SOLID DOOR ENCLOSURE

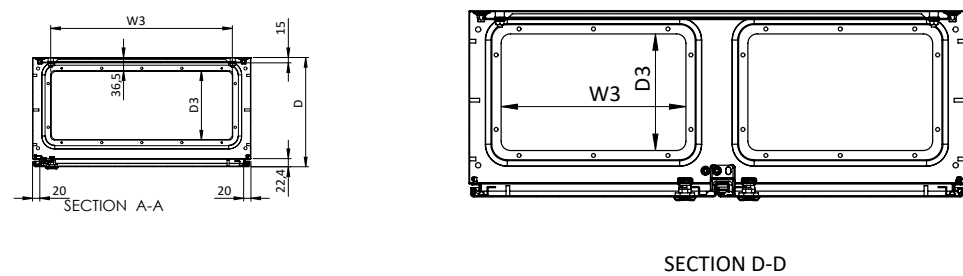


DM-MEDIUM DOUBLE-DOOR ENCLOSURE

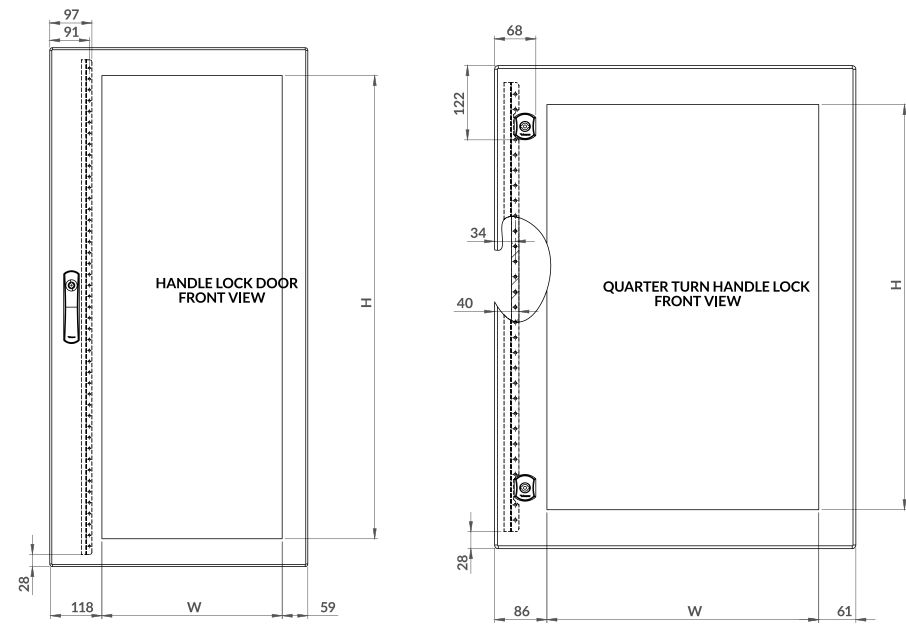
ENCLOSURE WIDTH (W)	W1	W2	ENCLOSURE HEIGHT (H)	H1	H2	ENCLOSURE DEPTH (D)
250	200	150	300	275	247	150
300	250	200	350	325	297	210
400	350	300	400	375	347	260
500	450	400	500	475	447	300
600	550	500	600	575	547	400
800	750	700	700	675	647	-
-	-	-	800	775	747	-
-	-	-	1000	975	947	-
-	-	-	1200	1175	1147	-



DM-MEDIUM GLAND PLATE CUT-OUT DIMENSIONS			
ENCLOSURE WIDTH (W) x DEPTH (D)	W3 (mm)	D3 (mm)	NUMBER OF GLAND PLATES
300x210	200	115	1
400x210	300	115	1
400x260	300	115	1
400x300	300	190	1
500x210	400	115	1
500x260	400	115	1
500x300	400	190	1
600x210	500	115	1
600x260	500	115	1
600x300	500	190	1
600x400	500	190	1
800x210	300	115	2
800x260	300	115	2
800x300	300	115	2



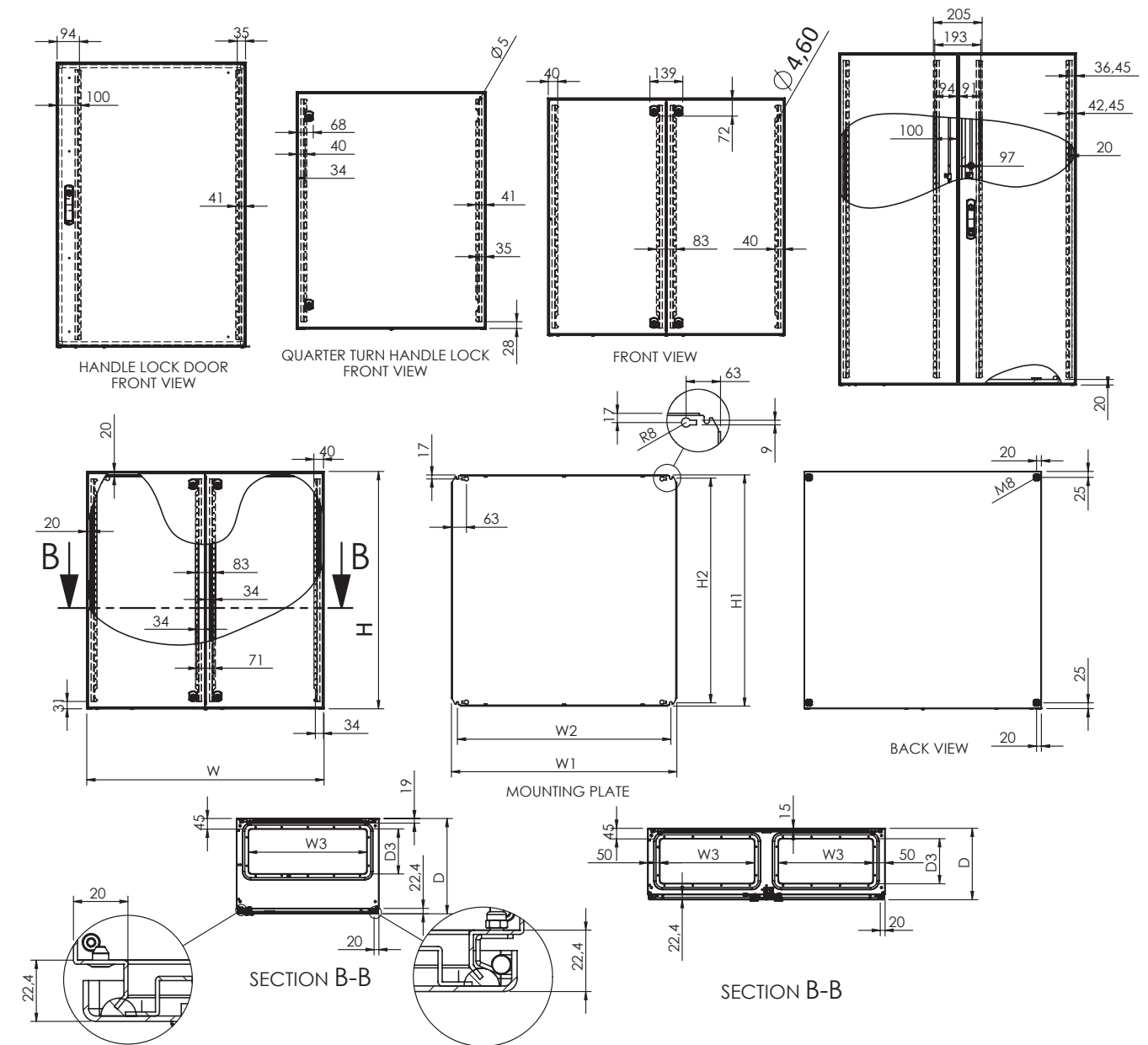
DM-MEDIUM GLAZED DOOR ENCLOSURE



ENCLOSURE WIDTH (W)	ENCLOSURE HEIGHT (H)	W	H
400	500	247	366
400	600	247	466
500	600	347	466
500	700	347	566
600	600	447	466
600	800	447	666
600	1000	447	866
600	1200	415	1066
800	1000	647	866
800	1200	615	1066

DM-MEDIUM GLAND PLATE CUT-OUT DIMENSIONS			
ENCLOSURE WIDTH (W) x DEPTH (D)	W3 (mm)	D3 (mm)	NUMBER OF GLAND PLATES
400x210	300	115	1
400x260	300	115	1
400x300	300	190	1
500x210	400	115	1
500x260	400	115	1
500x300	400	190	1
600x210	500	115	1
600x260	500	115	1
600x300	500	190	1
600x400	500	190	1
800x210	300	115	2
800x260	300	115	2
800x300	300	115	2

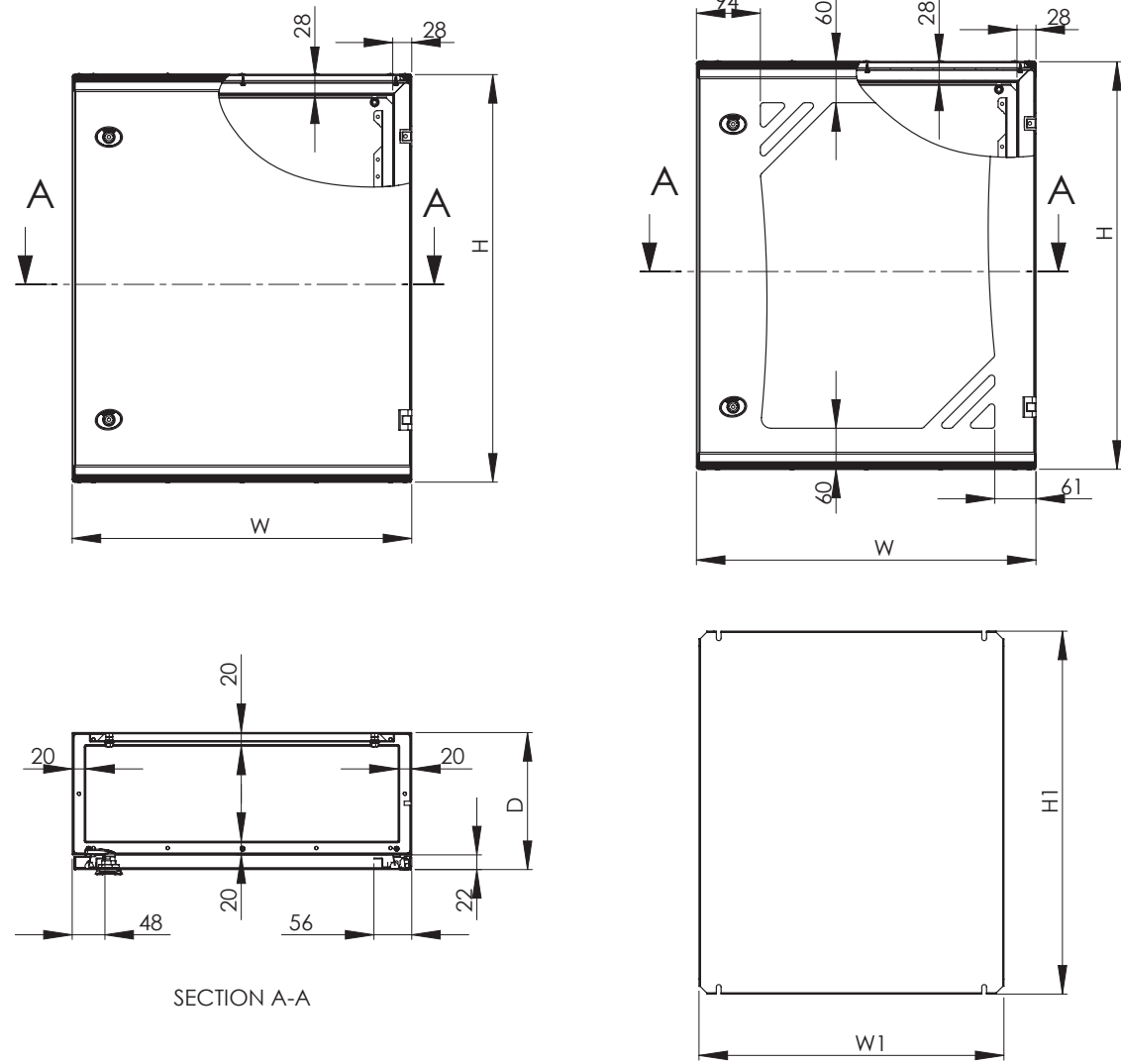
DM-LARGE SOLID DOOR ENCLOSURE



ENCLOSURE WIDTH (W)	W1	W2	ENCLOSURE HEIGHT (H)	H1	H2	ENCLOSURE DEPTH (D)
600	550	500	800	775	747	300
800	750	700	1000	975	947	
1000	950	900	1200	1175	1147	
1200	1150	1100	1400	1375	1347	400

DM-LARGE GLAND PLATE CUT-OUT DIMENSIONS			
ENCLOSURE WIDTH (W) x DEPTH (D)	W3 (mm)	D3 (mm)	NUMBER OF GLAND PLATES
600x400	500	190	1
800x400	300	190	2
1000x300	400	190	2
1000x 400	400	190	2
1200x300	500	190	2
1200x400	500	190	2

ARES SERIES

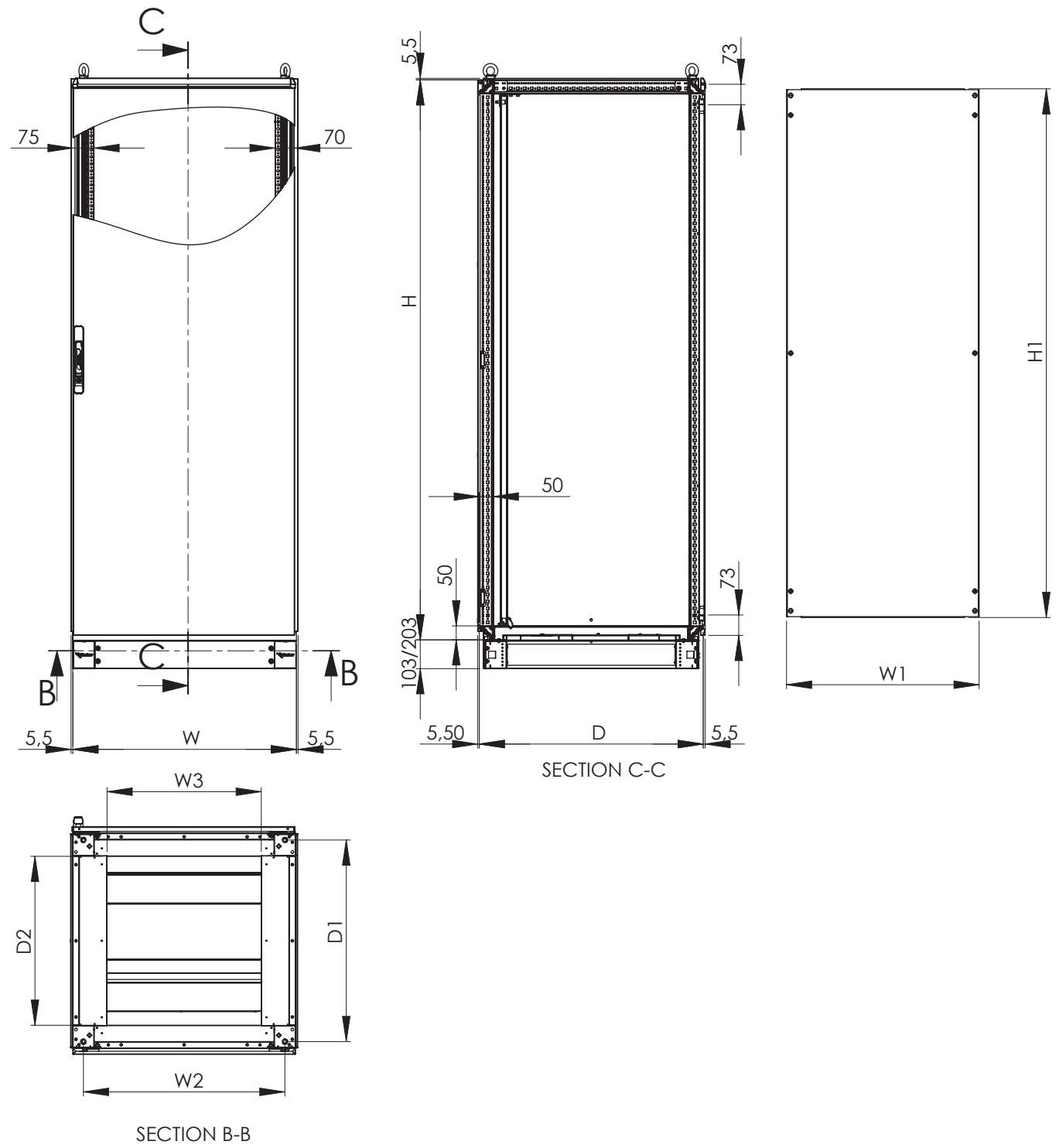


ENCLOSURE WIDTH	W	W1
300	300	249
400	400	349
500	500	449
600	600	549
800	800	749

ENCLOSURE DEPTH	D
150	150
200	200
280	280

ENCLOSURE HEIGHT	H	H1
400	400	334
500	500	434
600	600	534
700	700	634
800	800	734
1000	1000	934
1150	1150	1084

TEOS SERIES SINGLE DOOR

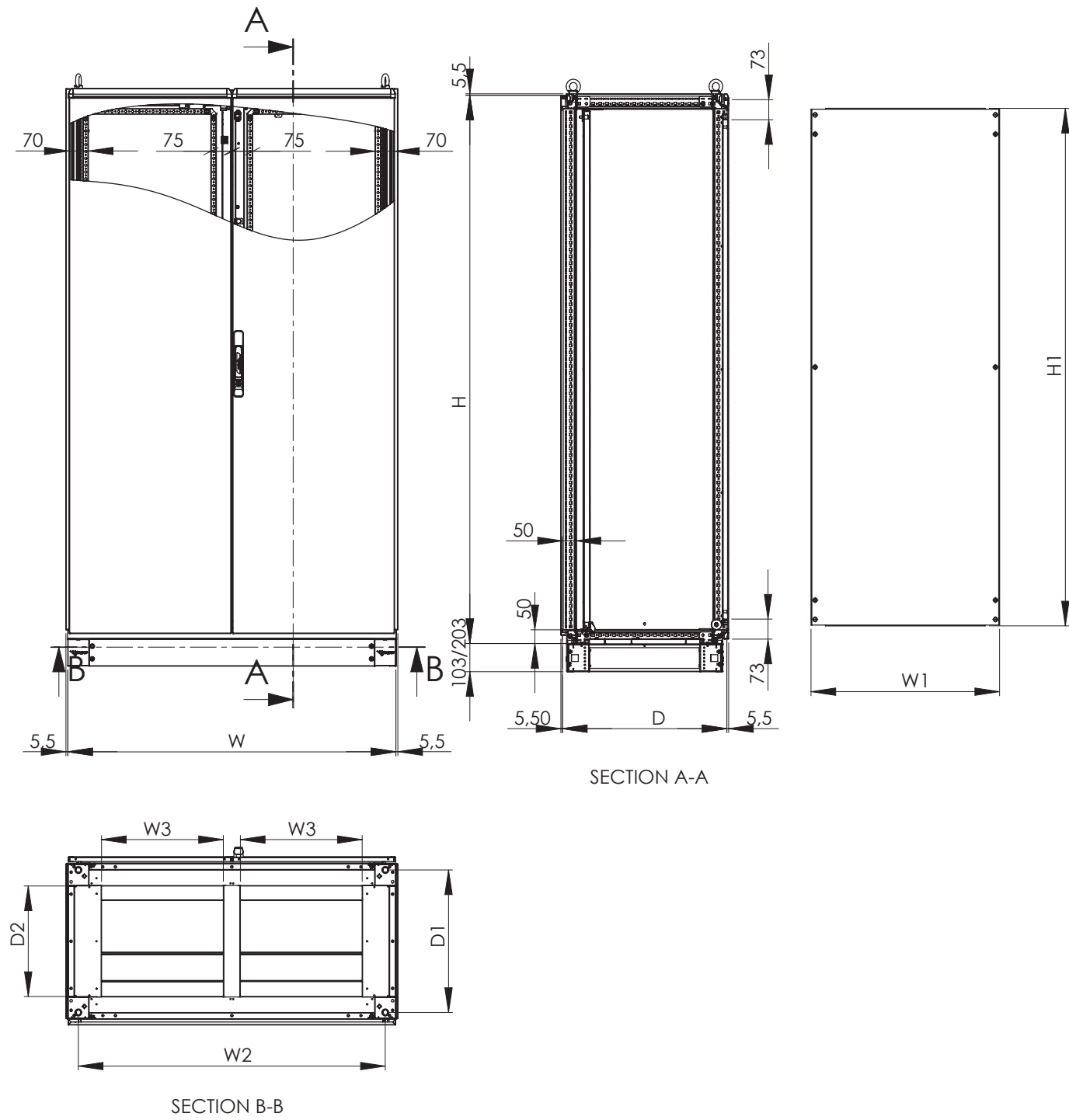


ENCLOSURE WIDTH	W	W1	W2	W3
400	400	-	320	151
500	500	388	420	251
600	600	488	520	351
700	700	588	620	451
800	800	688	720	551
1000	1000	888	920	444,5x2
1200	1200	1088	1120	544,5x2

ENCLOSURE DEPTH	D	D1	D2
400	400	320	203
500	500	420	303
600	600	520	403
700	700	620	503
800	800	720	603

ENCLOSURE HEIGHT	H	H1
1200	1200	1088
1600	1600	1488
1800	1800	1688
2000	2000	1888
2200	2200	2088

TEOS SERIES DOUBLE DOOR



SECTION A-A

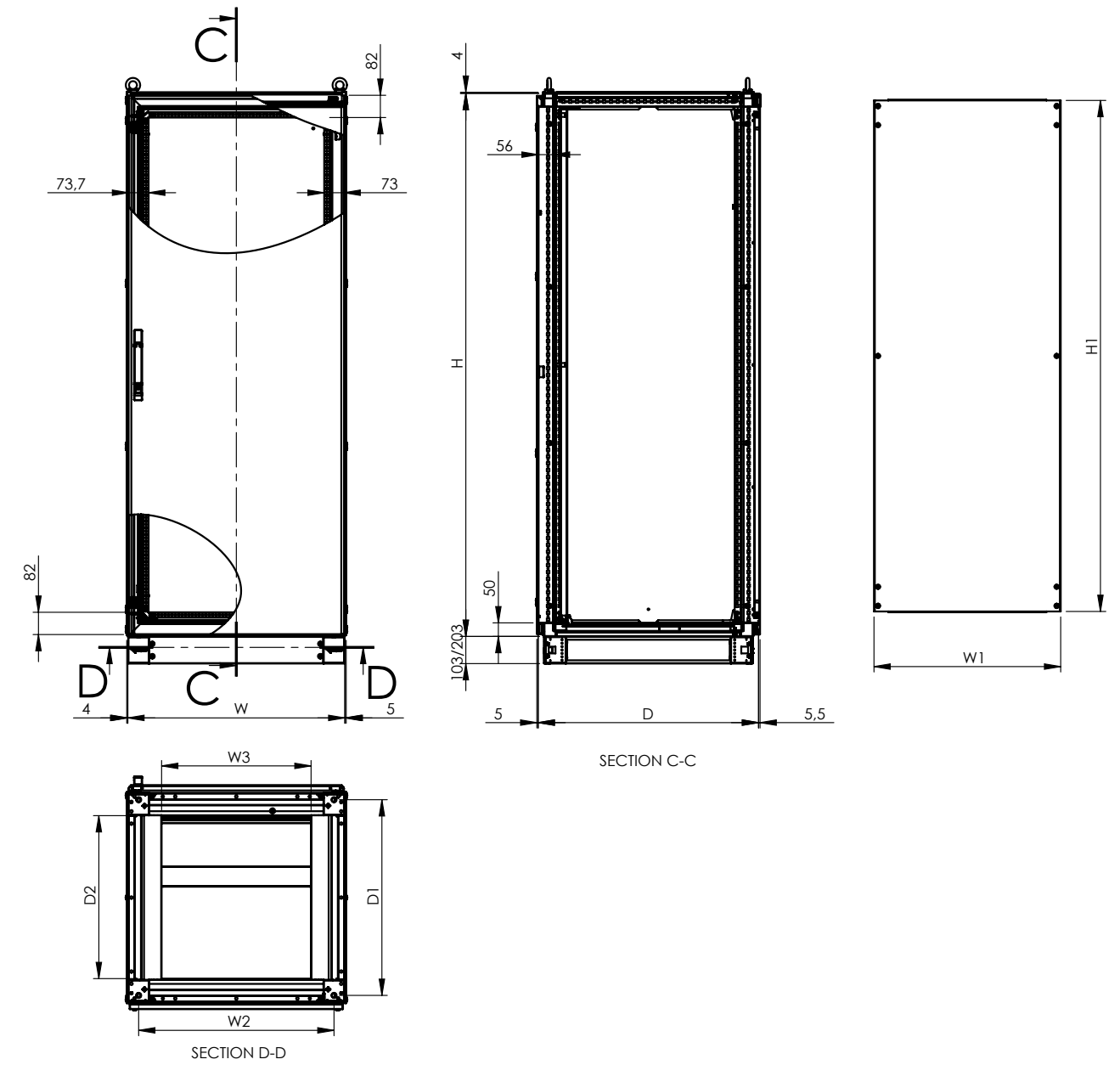
SECTION B-B

ENCLOSURE WIDTH	W	W1	W2	W3
400	400	-	320	151
500	500	388	420	251
600	600	488	520	351
700	700	588	620	451
800	800	688	720	551
1000	1000	888	920	444,5x2
1200	1200	1088	1120	544,5x2

ENCLOSURE DEPTH	D	D1	D2
400	400	320	203
500	500	420	303
600	600	520	403
700	700	620	503
800	800	720	603

ENCLOSURE HEIGHT	H	H1
1200	1200	1088
1600	1600	1488
1800	1800	1688
2000	2000	1888
2200	2200	2088

NEO MODULAR SERIES SINGLE DOOR



SECTION C-C

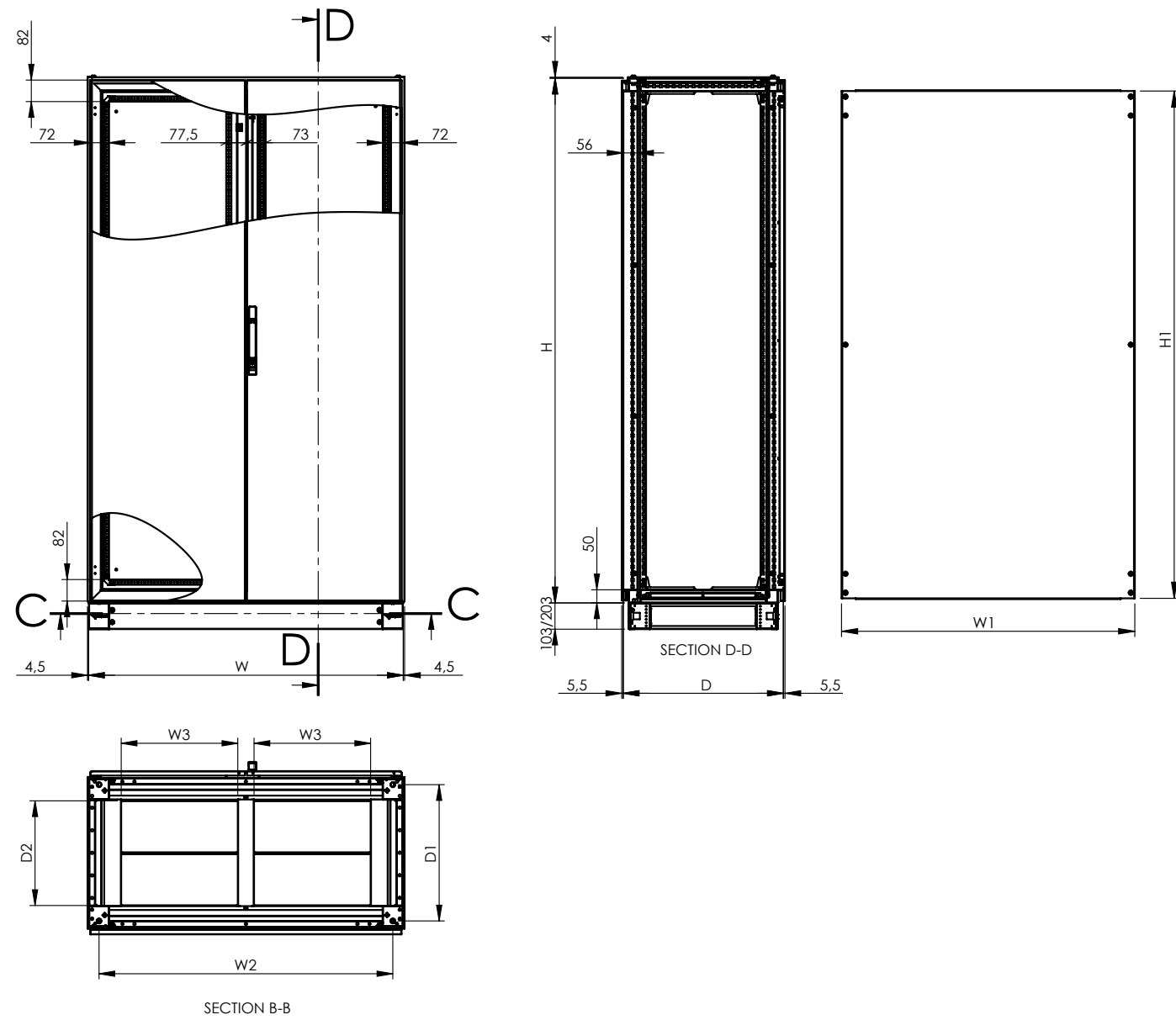
SECTION D-D

ENCLOSURE WIDTH	W	W1	W2	W3
400	400	-	320	151
600	600	488	520	351
800	800	688	720	551
1000	1000	888	920	344,5x2
1200	1200	1088	1120	544,5x2

ENCLOSURE DEPTH	D	D1	D2
400	370	320	203
500	470	420	303
600	570	520	403
800	770	720	603

ENCLOSURE HEIGHT	H	H1
1200	1200	1088
1600	1600	1488
1800	1800	1688
2000	2000	1888

NEO MODULAR SERIES DOUBLE DOOR

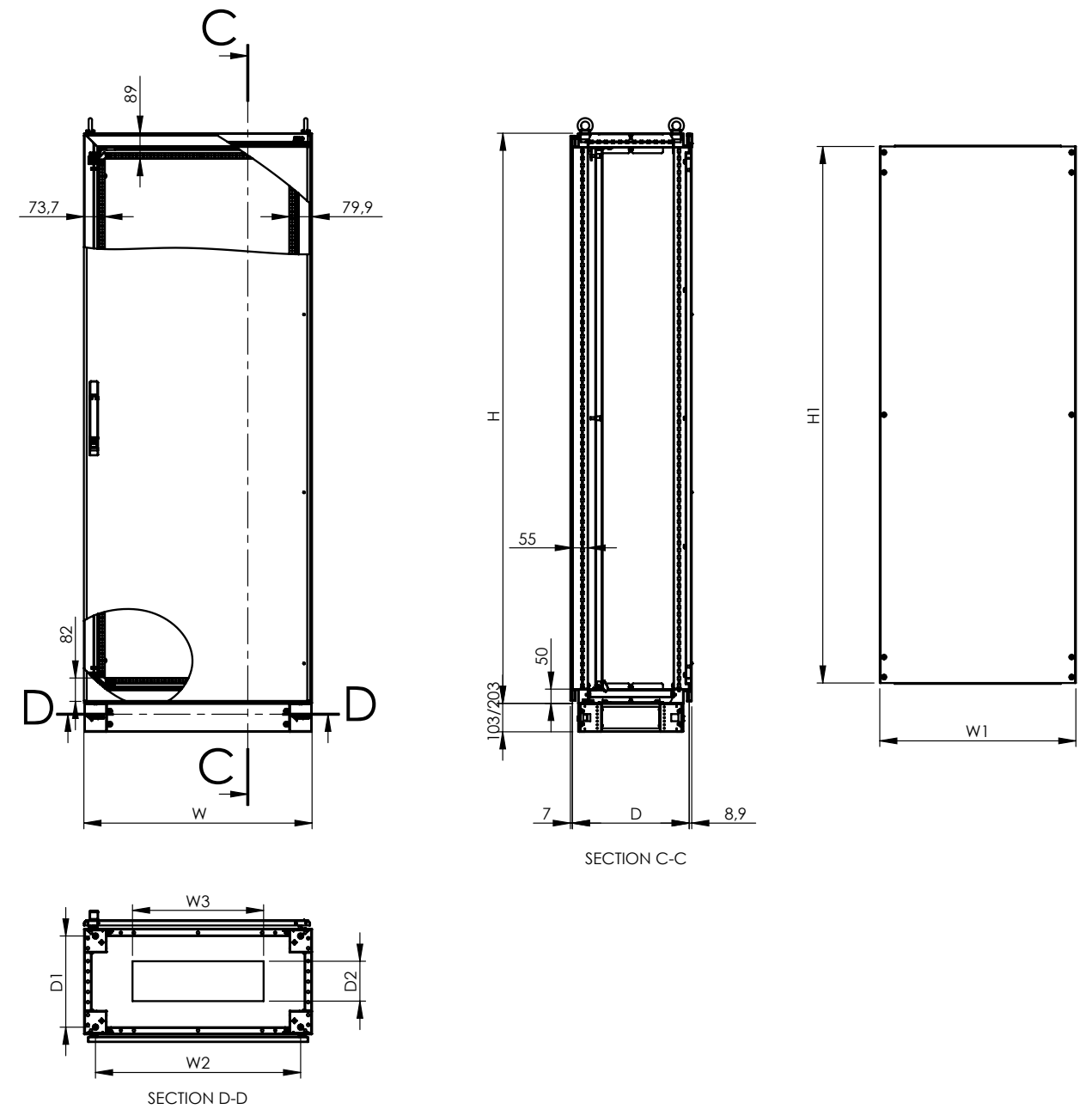


ENCLOSURE WIDTH	W	W1	W2	W3
400	400	-	320	151
600	600	488	520	351
800	800	688	720	551
1000	1000	888	920	344,5x2
1200	1200	1088	1120	444,5x2

ENCLOSURE DEPTH	D	D1	D2
400	370	320	203
500	470	420	303
600	570	520	403
800	770	720	603

ENCLOSURE HEIGHT	H	H1
1200	1200	1088
1600	1600	1488
1800	1800	1688
2000	2000	1888

NEO MONOBLOCK SERIES SINGLE DOOR

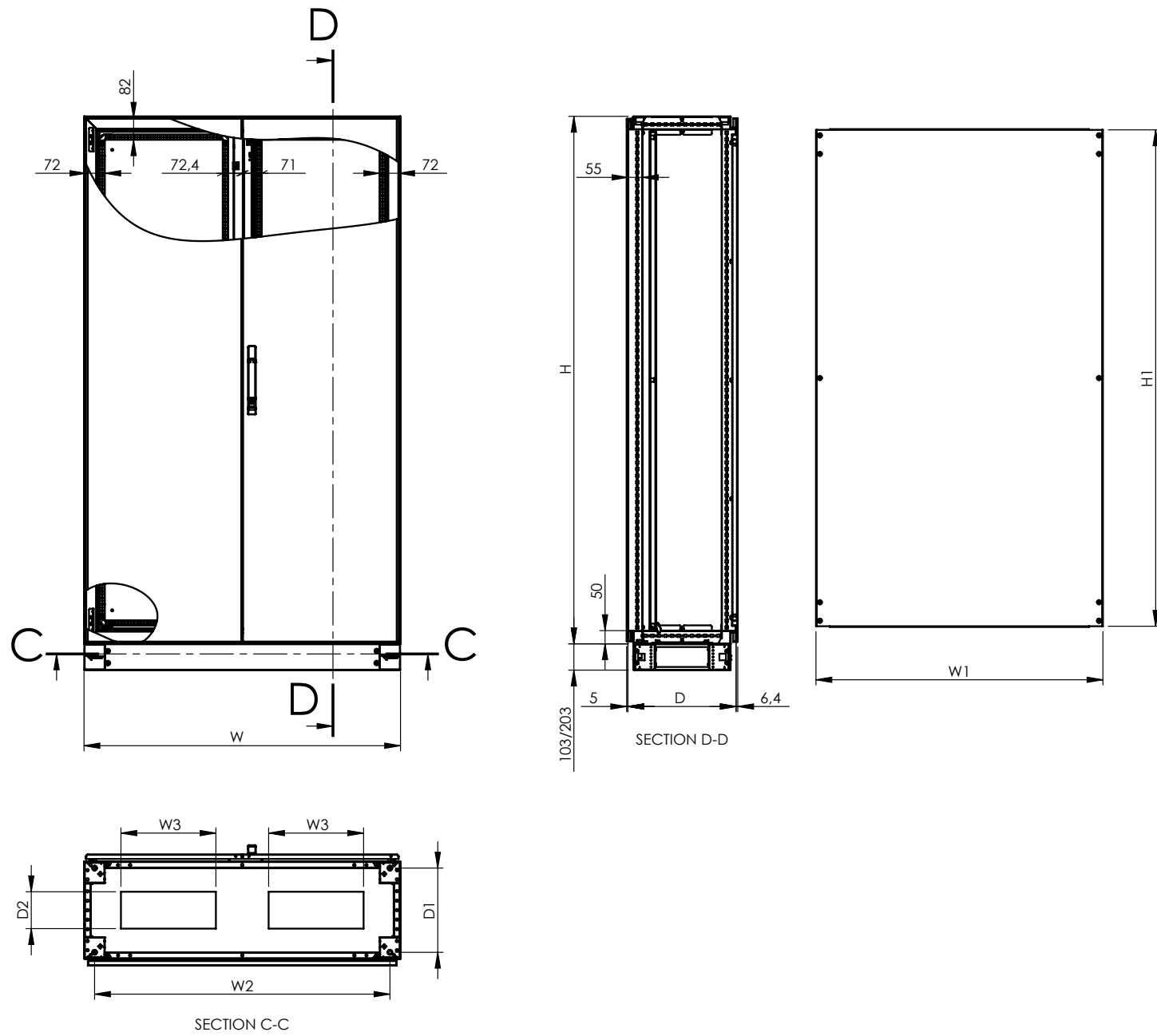


ENCLOSURE WIDTH	W	W1	W2	W3
600	600	488	520	260
800	800	688	720	460
1000	1000	888	920	260x2
1200	1200	1088	1120	360x2

ENCLOSURE DEPTH	D	D1	D2
400	370	320	140
500	470	420	140
600	570	520	140

ENCLOSURE HEIGHT	H	H1
1200	1200	1088
1600	1600	1488
1800	1800	1688
2000	2000	1888

NEO MONOBLOCK SERIES DOUBLE DOOR

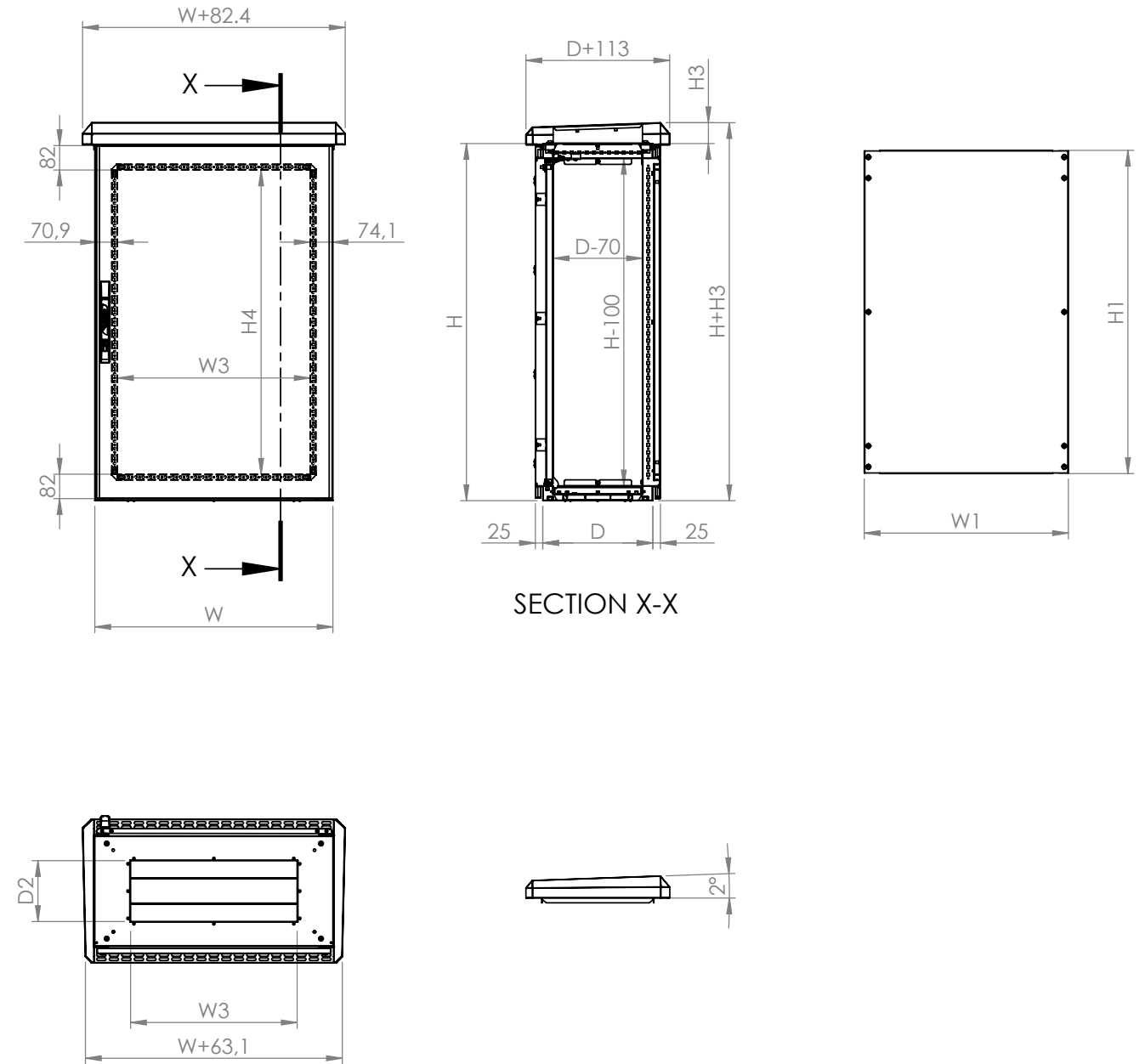


ENCLOSURE WIDTH	W	W1	W2	W3
600	600	488	520	351
800	800	688	720	551
1000	1000	888	920	260x2
1200	1200	1088	1120	360x2

ENCLOSURE DEPTH	D	D1	D2
400	370	320	140
500	470	420	140
600	570	520	140

ENCLOSURE HEIGHT	H	H1
1200	1200	1088
1600	1600	1488
1800	1800	1688
2000	2000	1888

NEO HC MONOBLOCK SERIES SINGLE DOOR (CLOSED SIDE)



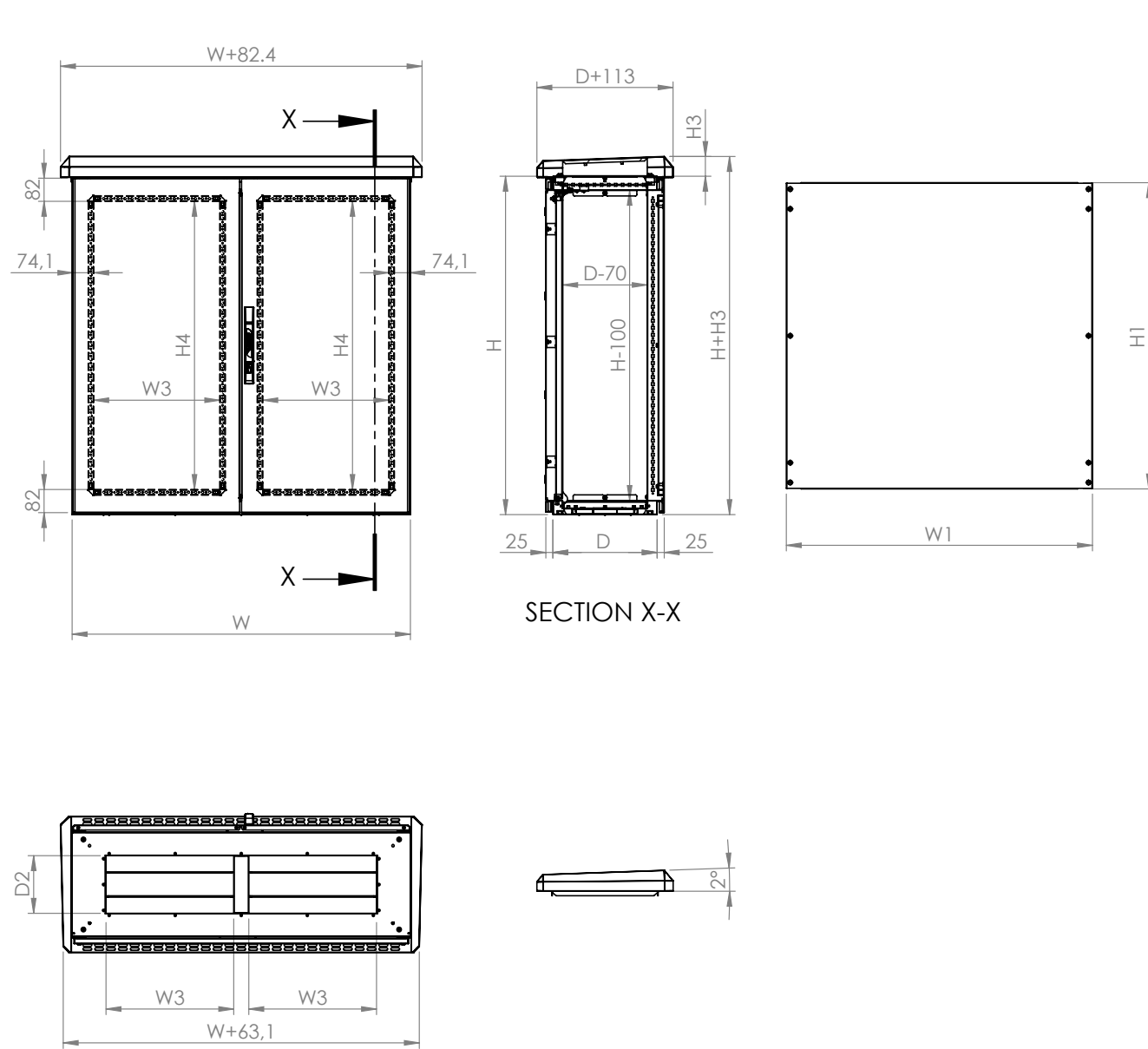
ENCLOSURE WIDTH	W1	W2	W3
600	600	488	447
800	800	688	647
1200	1200	1088	447

ENCLOSURE DEPTH	D	D2
400	370	204,4
600	570	404,4

ENCLOSURE HEIGHT	H	H1	H4
1200	1200	1088	1222

ENCLOSURE DEPTH	H3
400	70
600	77

NEO HC MONOBLOCK SERIES DOUBLE DOOR (CLOSED SIDE)



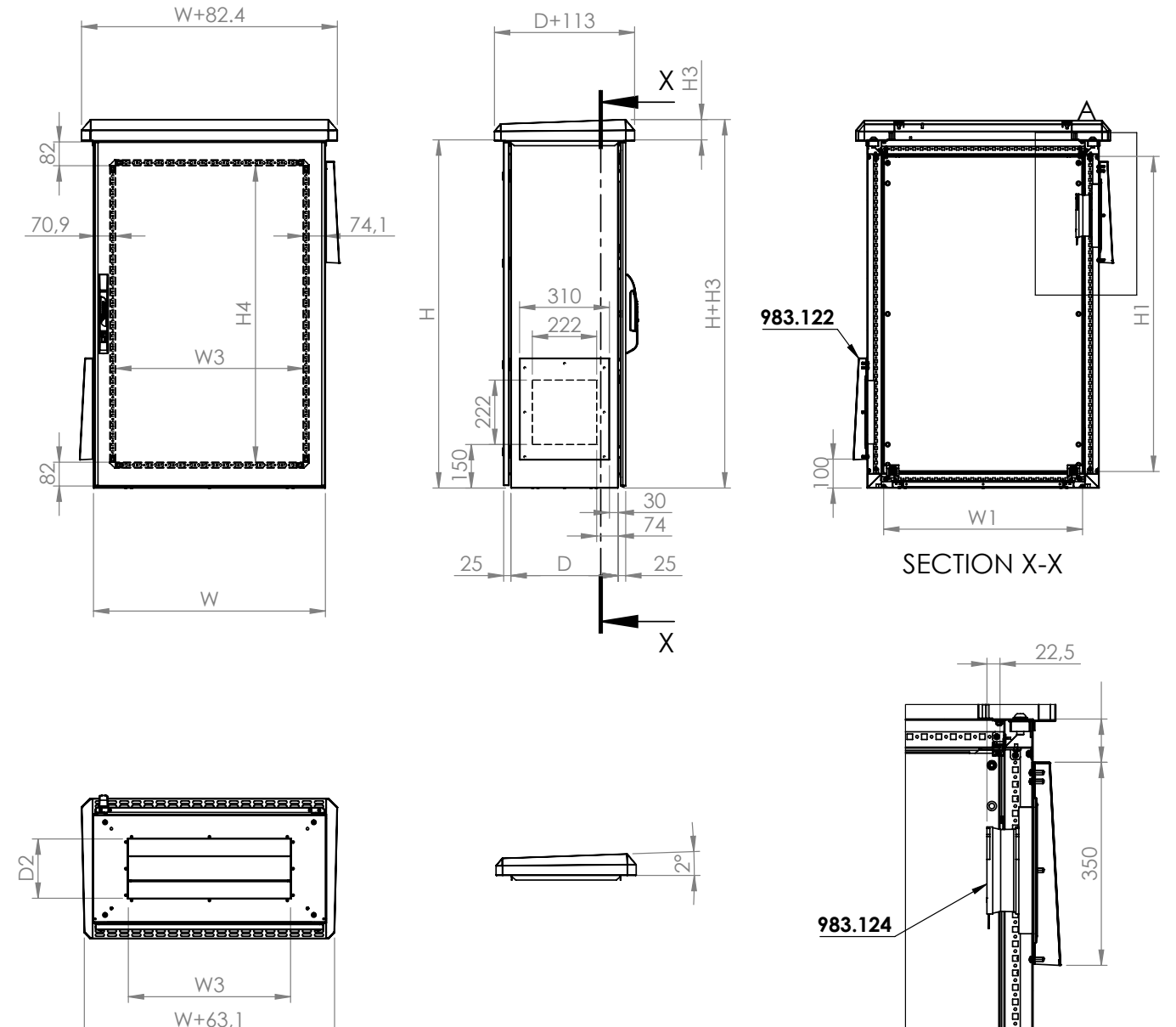
ENCLOSURE WIDTH	W1	W2	W3
600	600	488	447
800	800	688	647
1200	1200	1088	447

ENCLOSURE HEIGHT	H	H1	H4
1200	1200	1088	1222

ENCLOSURE DEPTH	D	D2
400	370	204,4
600	570	404,4

ENCLOSURE DEPTH	H3
400	70
600	77

NEO HC MONOBLOCK SERIES SINGLE DOOR (FILTER CUT OUT)



DETAIL A
SCALE 1 : 10

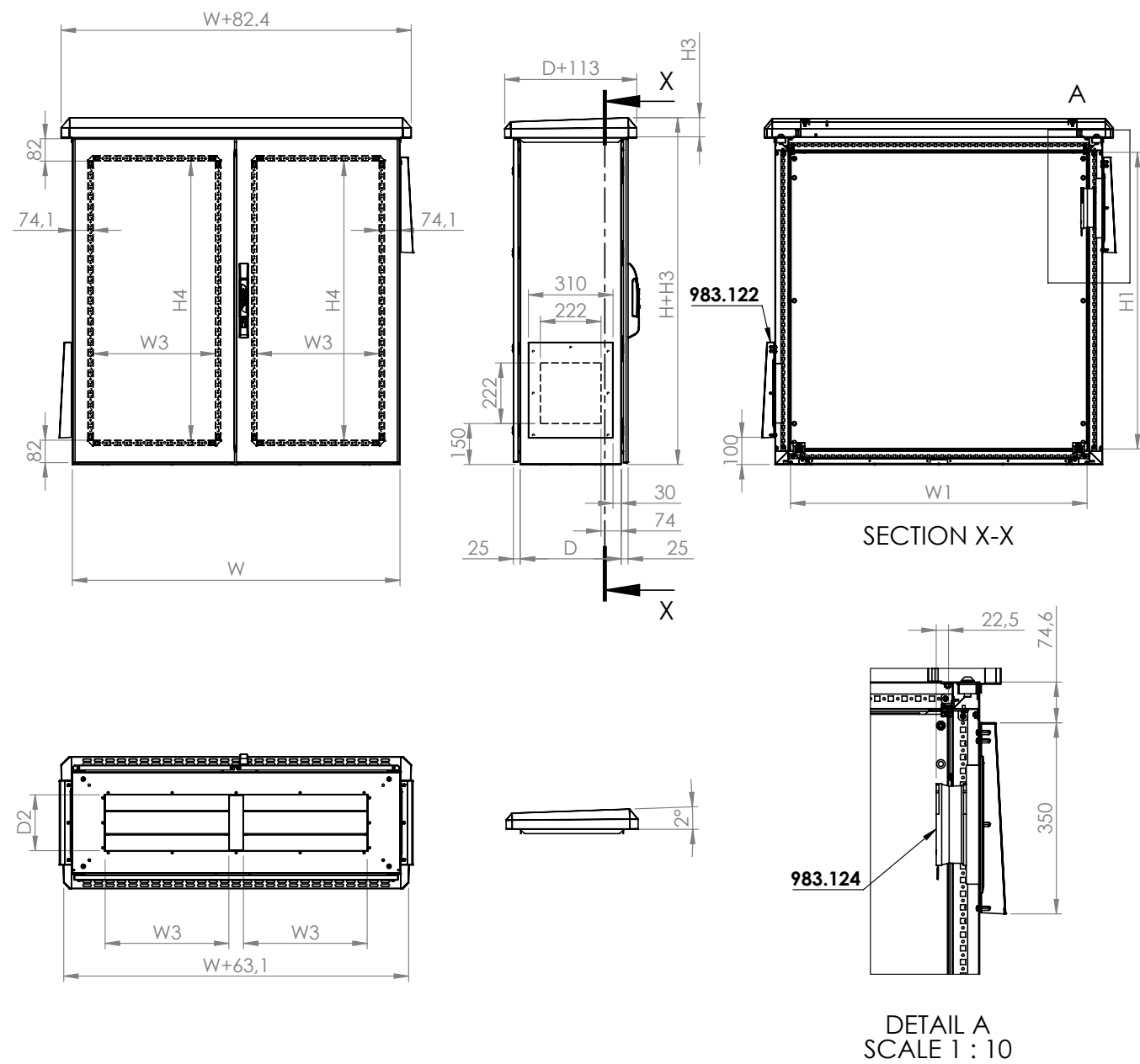
ENCLOSURE WIDTH	W1	W2	W3
600	600	488	447
800	800	688	647
1200	1200	1088	447

ENCLOSURE HEIGHT	H	H1	H4
1200	1200	1088	1222

ENCLOSURE DEPTH	D	D2
400	370	204,4
600	570	404,4

ENCLOSURE DEPTH	H3
400	70
600	77

NEO HC MONOBLOCK SERIES DOUBLE DOOR (FILTER CUT OUT)



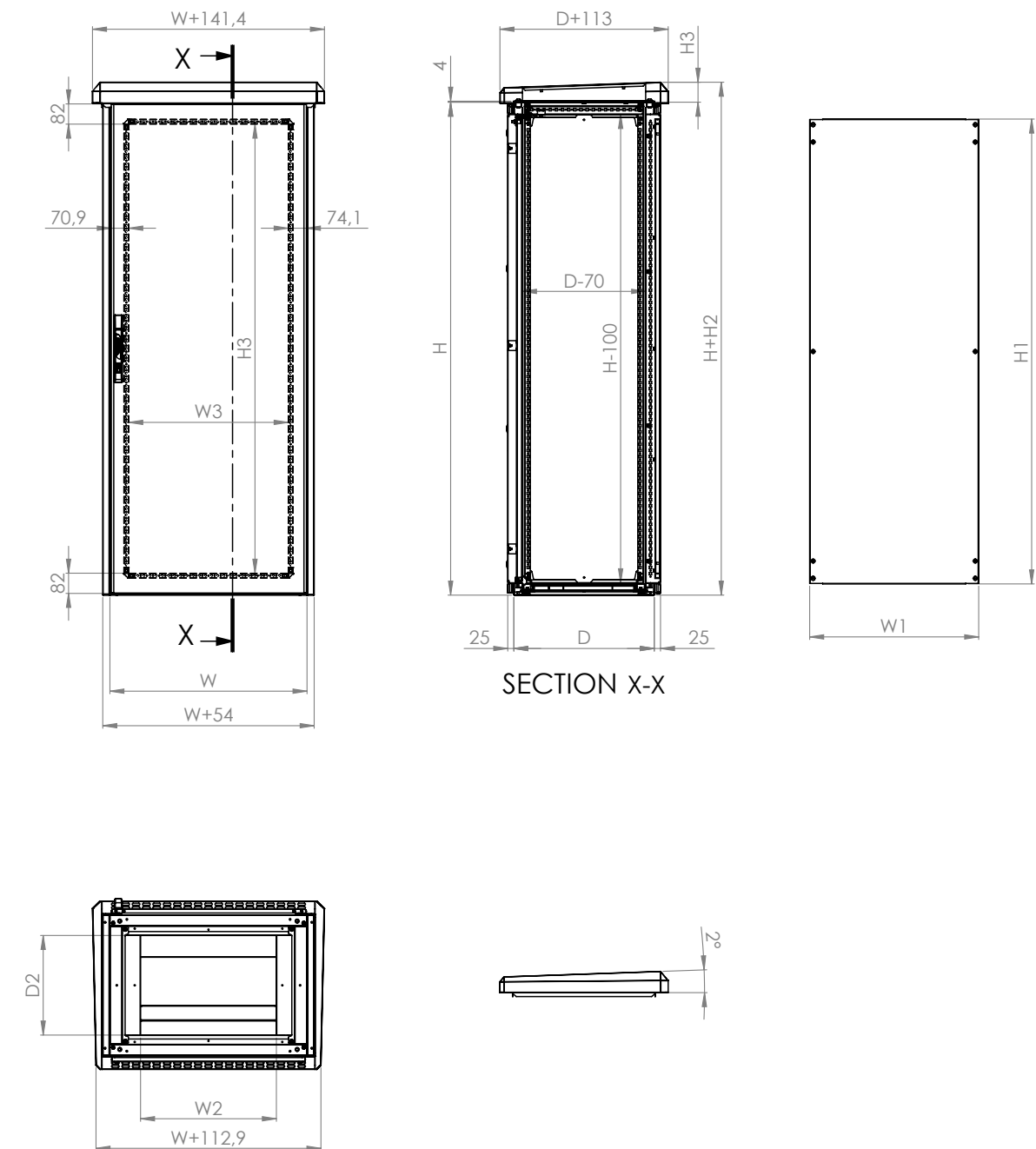
ENCLOSURE WIDTH	W1	W2	W3
600	600	488	447
800	800	688	647
1200	1200	1088	447

ENCLOSURE HEIGHT	H	H1	H4
1200	1200	1088	1222

ENCLOSURE DEPTH	D	D2
400	370	204,4
600	570	404,4

ENCLOSURE DEPTH	H3
400	70
600	77

NEO HC MODULAR SERIES SINGLE DOOR (CLOSED SIDE)

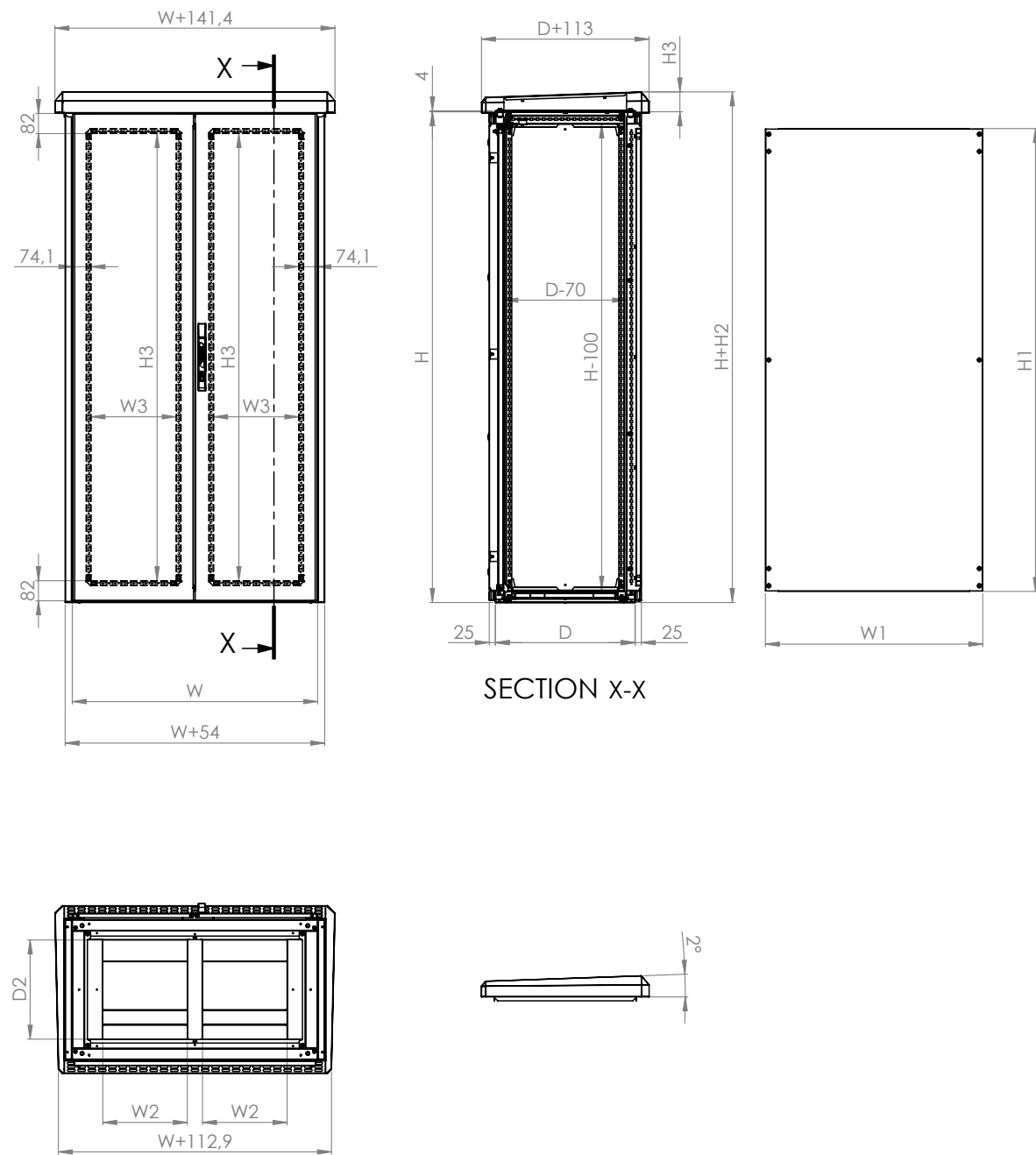


ENCLOSURE WIDTH	W	W1	W2	W3
400	400	288	151	247
600	600	488	351	447
700	700	588	451	547
800	800	688	551	647
1000	1000	888	344,6x2	347
1200	1200	1088	444,6x2	447

ENCLOSURE DEPTH	D	D2	ENCLOSURE DEPTH	H3
400	370	331	400	74
600	570	531	600	81
800	770	731	800	91

ENCLOSURE HEIGHT	H	H1	H4
1200	1200	1088	1222
1600	1600	1688	1622
2000	2000	1888	1822

NEO HC MODULAR SERIES DOUBLE DOOR (CLOSED SIDE)

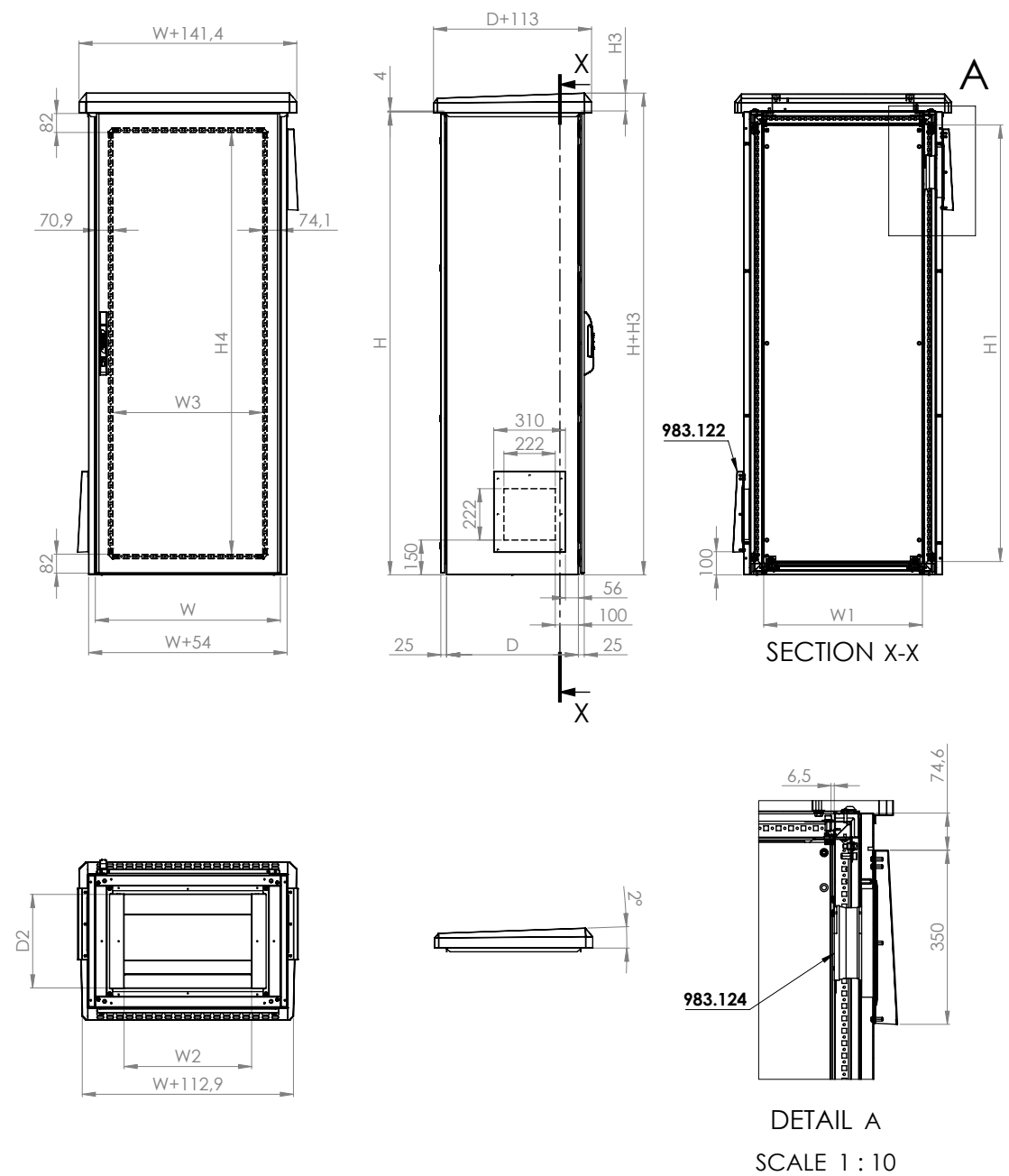


ENCLOSURE WIDTH	W	W1	W2	W3
400	400	288	151	247
600	600	488	351	447
700	700	588	451	547
800	800	688	551	647
1000	1000	888	344,6x2	347
1200	1200	1088	444,6x2	447

ENCLOSURE DEPTH	D	D2	ENCLOSURE DEPTH	H3
400	370	331	400	74
600	570	531	600	81
800	770	731	800	91

ENCLOSURE HEIGHT	H	H1	H4
1200	1200	1088	1222
1600	1600	1688	1622
2000	2000	1888	1822

NEO HC MODULAR SERIES SINGLE DOOR (FILTER CUT OUT)



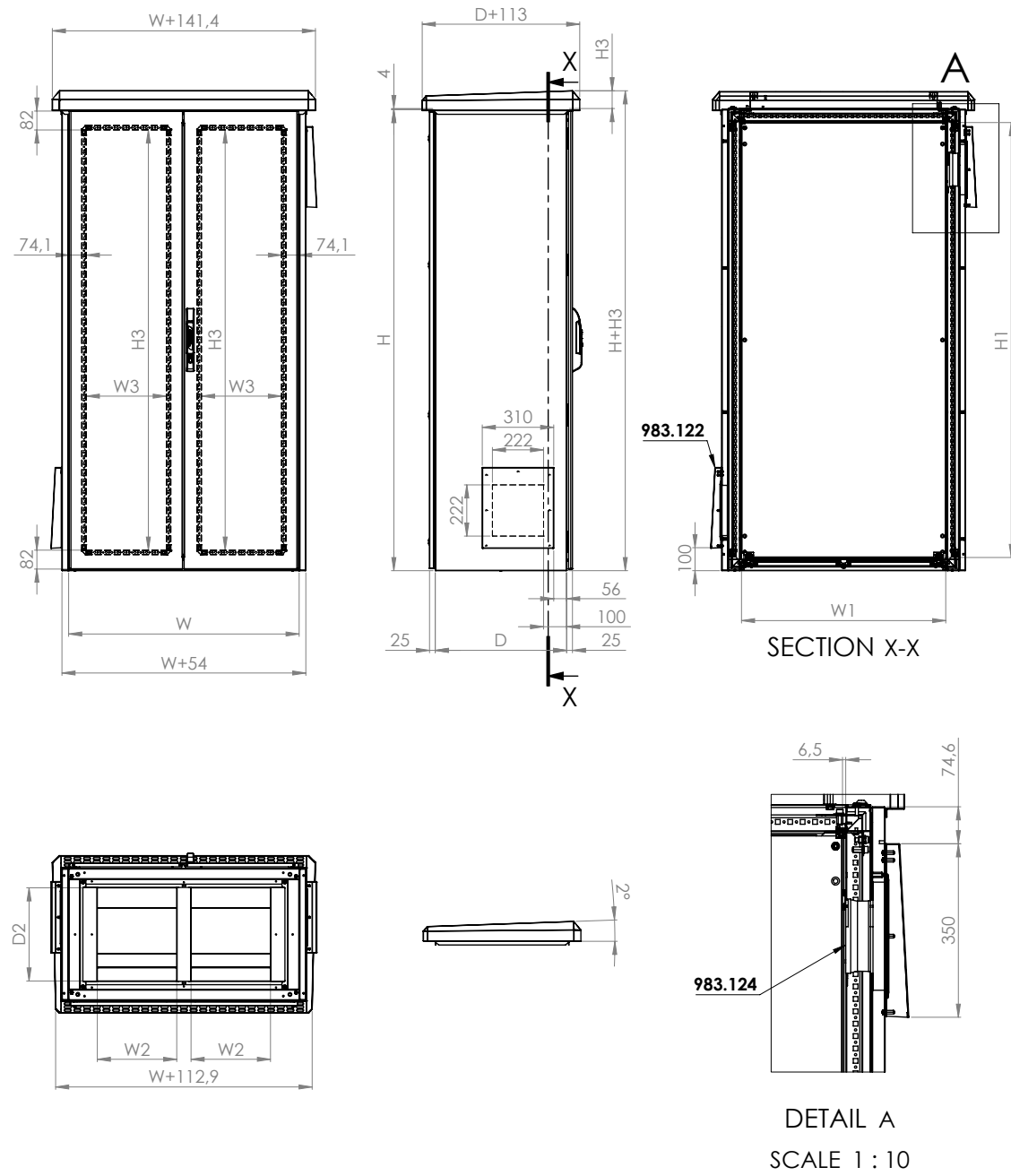
ENCLOSURE WIDTH	W	W1	W2	W3
400	400	288	151	247
600	600	488	351	447
700	700	588	451	547
800	800	688	551	647
1000	1000	888	344,6x2	347
1200	1200	1088	444,6x2	447

ENCLOSURE DEPTH	D	D2	ENCLOSURE DEPTH	H3
400	370	331	400	74
600	570	531	600	81
800	770	731	800	91

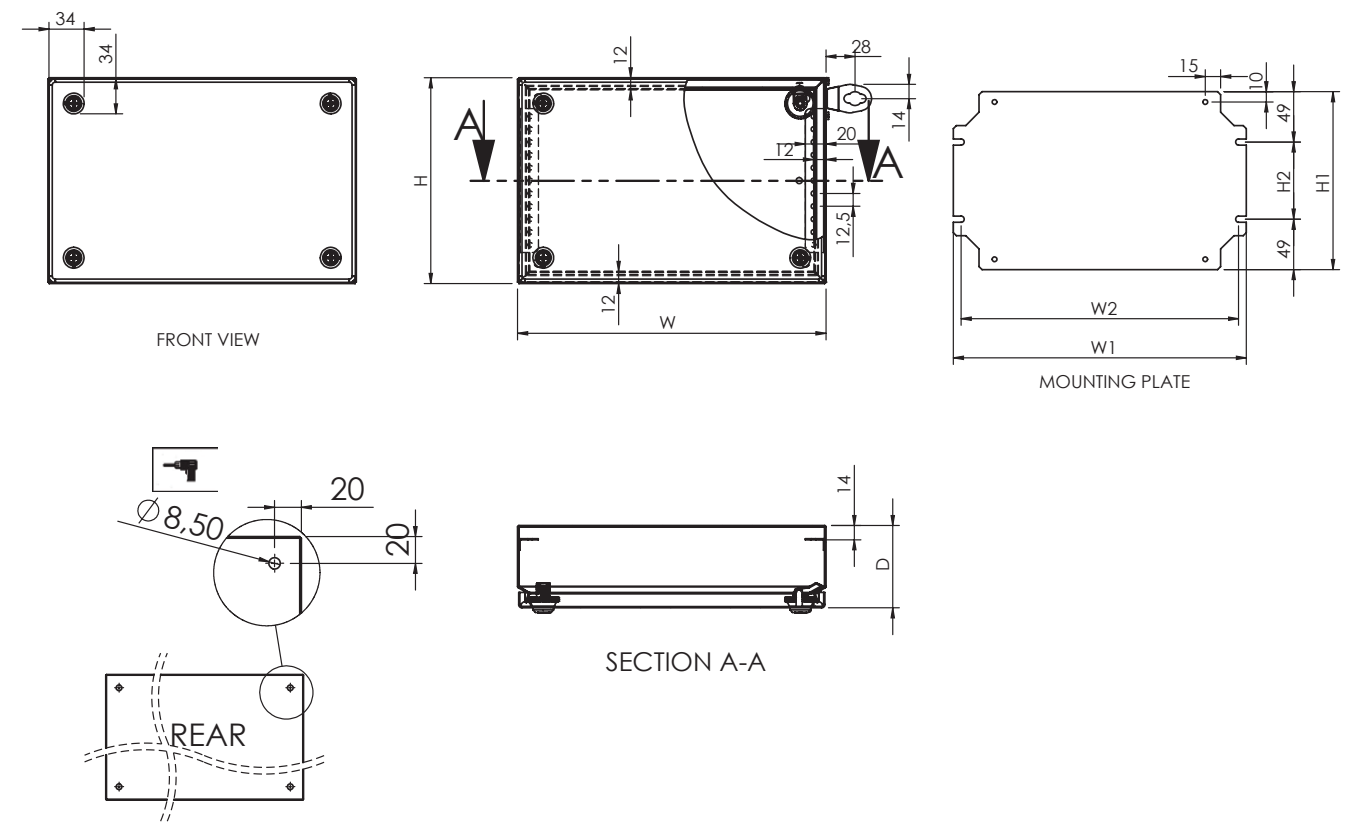
ENCLOSURE HEIGHT	H	H1	H4
1200	1200	1088	1222
1600	1600	1688	1622
2000	2000	1888	1822

DETAIL A
SCALE 1 : 10

NEO HC MODULAR SERIES DOUBLE DOOR (FILTER CUT OUT)



KT SERIES STAINLESS STEEL



ENCLOSURE WIDTH	W	W1	W2	W3
400	400	288	151	247
600	600	488	351	447
700	700	588	451	547
800	800	688	551	647
1000	1000	888	344,6x2	347
1200	1200	1088	444,6x2	447

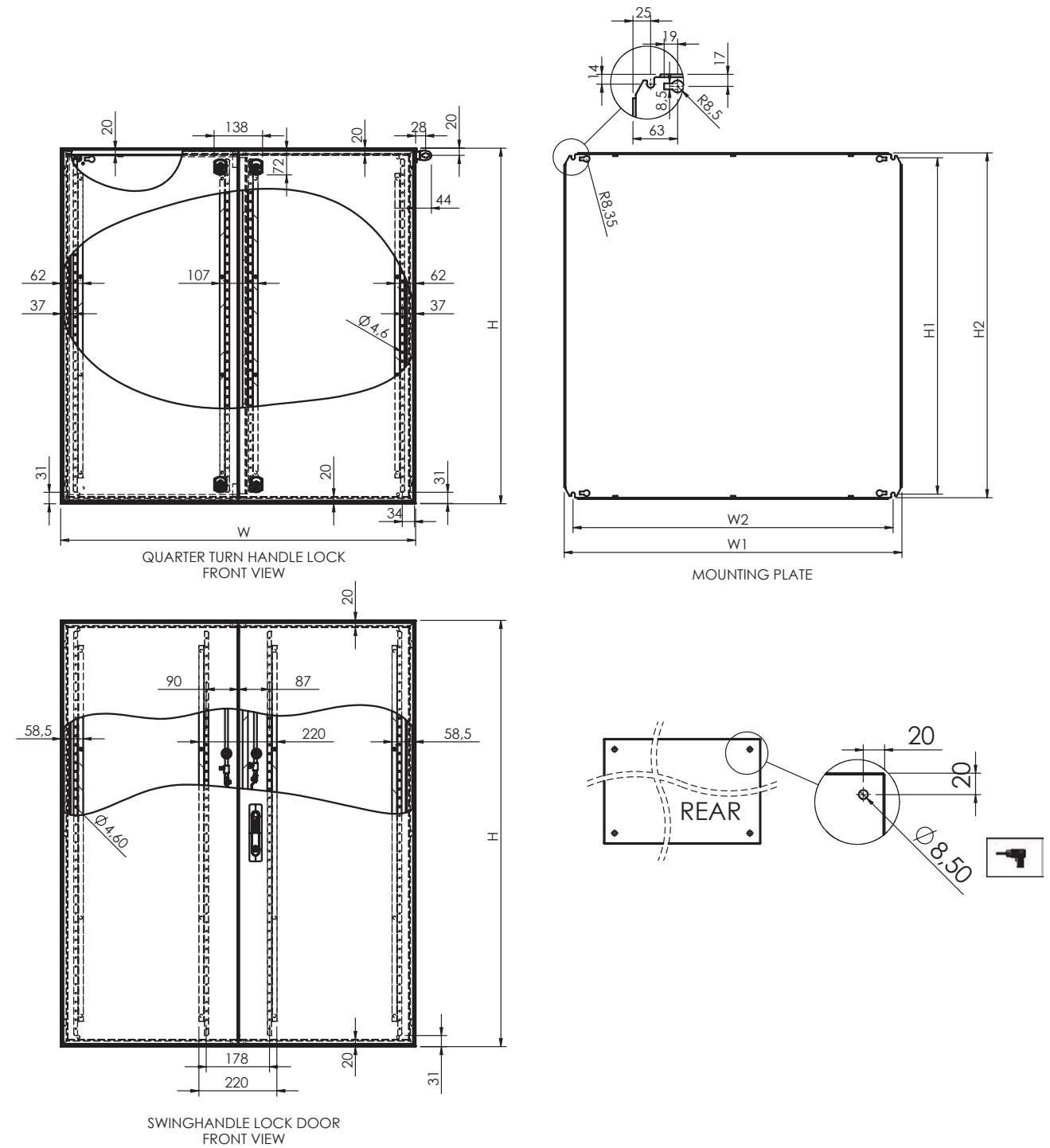
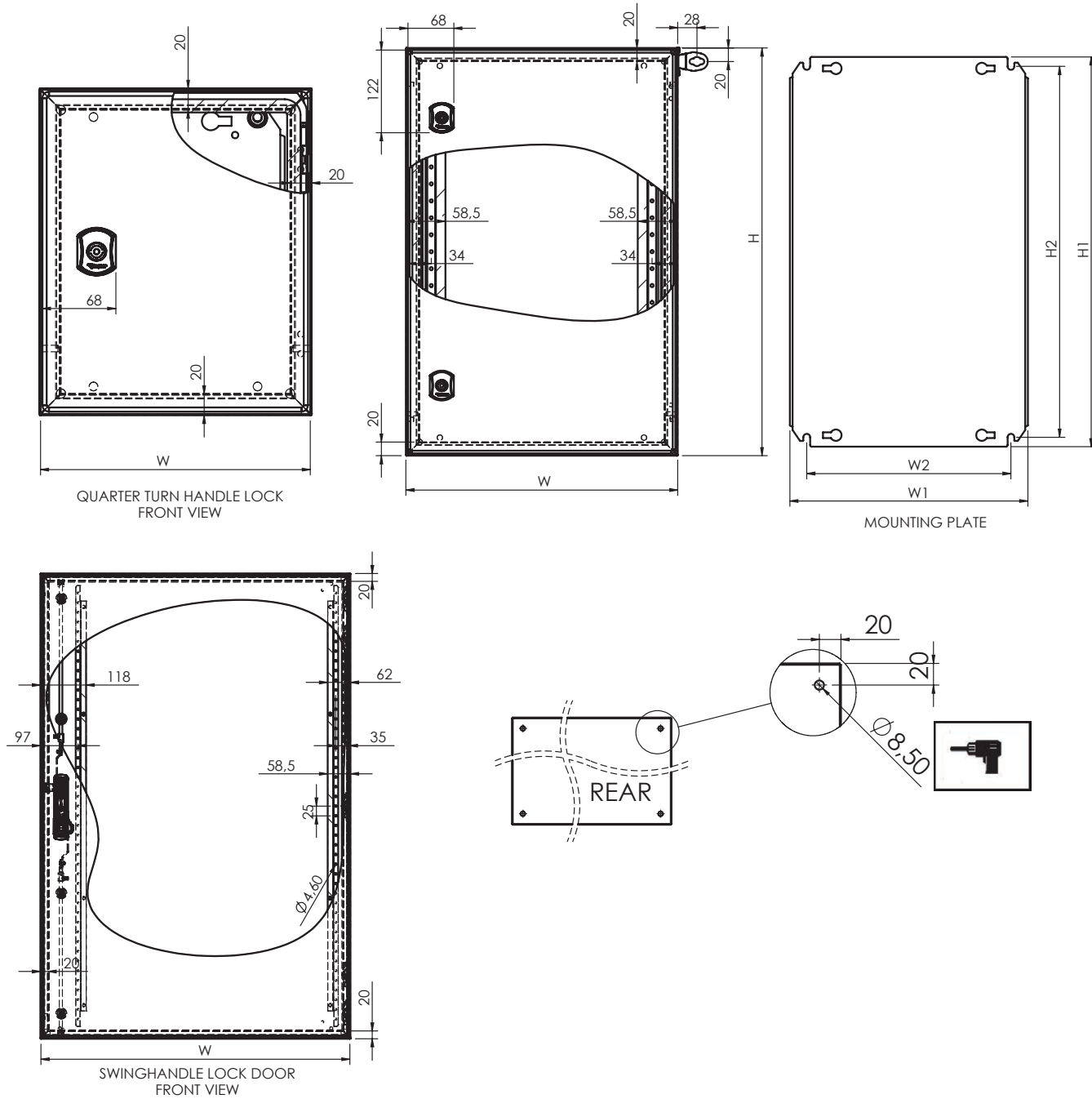
ENCLOSURE DEPTH	D	D2	ENCLOSURE DEPTH	H3
400	370	331	400	74
600	570	531	600	81
800	770	731	800	91

ENCLOSURE HEIGHT	H	H1	H4
1200	1200	1088	1222
1600	1600	1688	1622
2000	2000	1888	1822

ENCLOSURE WIDTH (W)	W1	W2	ENCLOSURE HEIGHT (H)	H1	H2	ENCLOSURE DEPTH (D)
150	135	120	150	123	25	80
200	185	170	200	173	75	120
300	285	270	300	273	175	-
400	385	370	-	-	-	-

DM SERIES STAINLESS STEEL (AISI 304) SINGLE DOOR

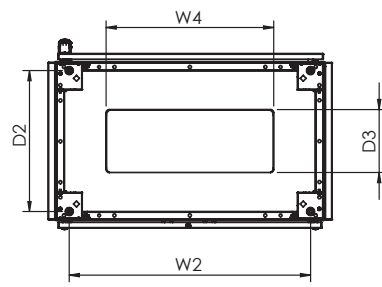
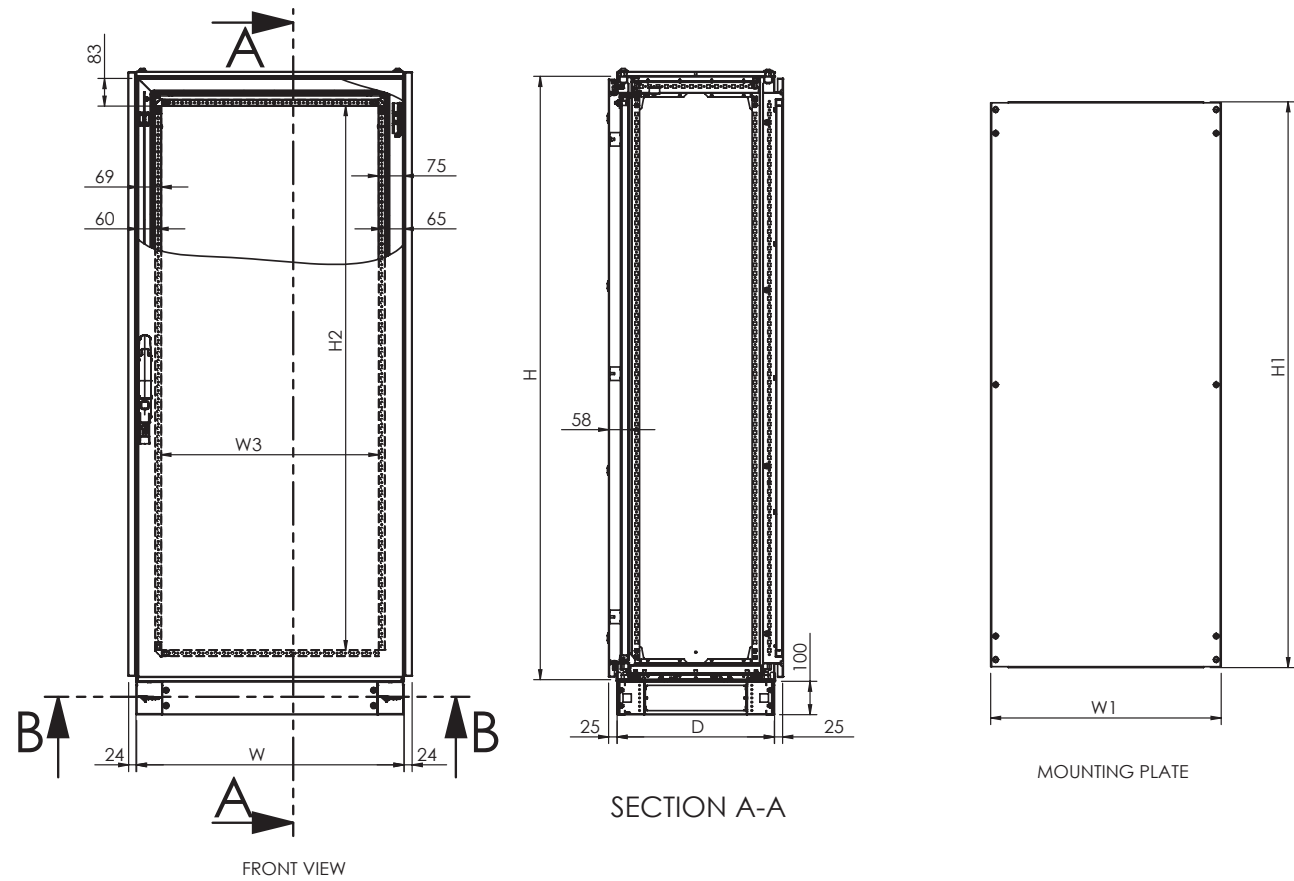
DM SERIES STAINLESS STEEL (AISI 304) DOUBLE DOOR



ENCLOSURE WIDTH (W)	W1	W2	ENCLOSURE HEIGHT (H)	H1	H2	ENCLOSURE DEPTH (D)
250	200	150	300	275	247	150
300	250	200	400	375	347	210
400	350	300	600	575	547	260
500	450	400	700	675	647	300
600	550	500	800	775	747	-
800	750	700	1000	975	947	-
1000	950	900	1200	1175	1147	-

ENCLOSURE WIDTH (W)	W1	W2	ENCLOSURE HEIGHT (H)	H1	H2	ENCLOSURE DEPTH (D)
250	200	150	300	275	247	150
300	250	200	400	375	347	210
400	350	300	500	475	447	260
500	450	400	600	575	547	300
600	550	500	700	675	647	-
800	750	700	800	775	747	-
1000	950	900	1000	975	947	-
-	-	-	1200	1175	1147	-

NEO SERIES STAINLESS STEEL SINGLE DOOR



SECTION B-B

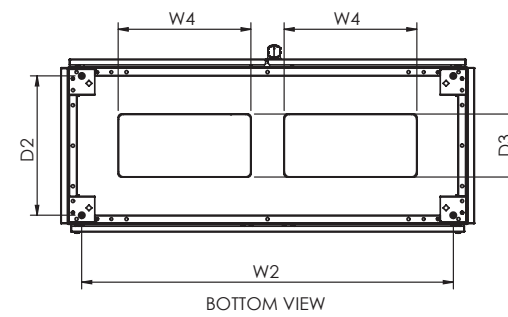
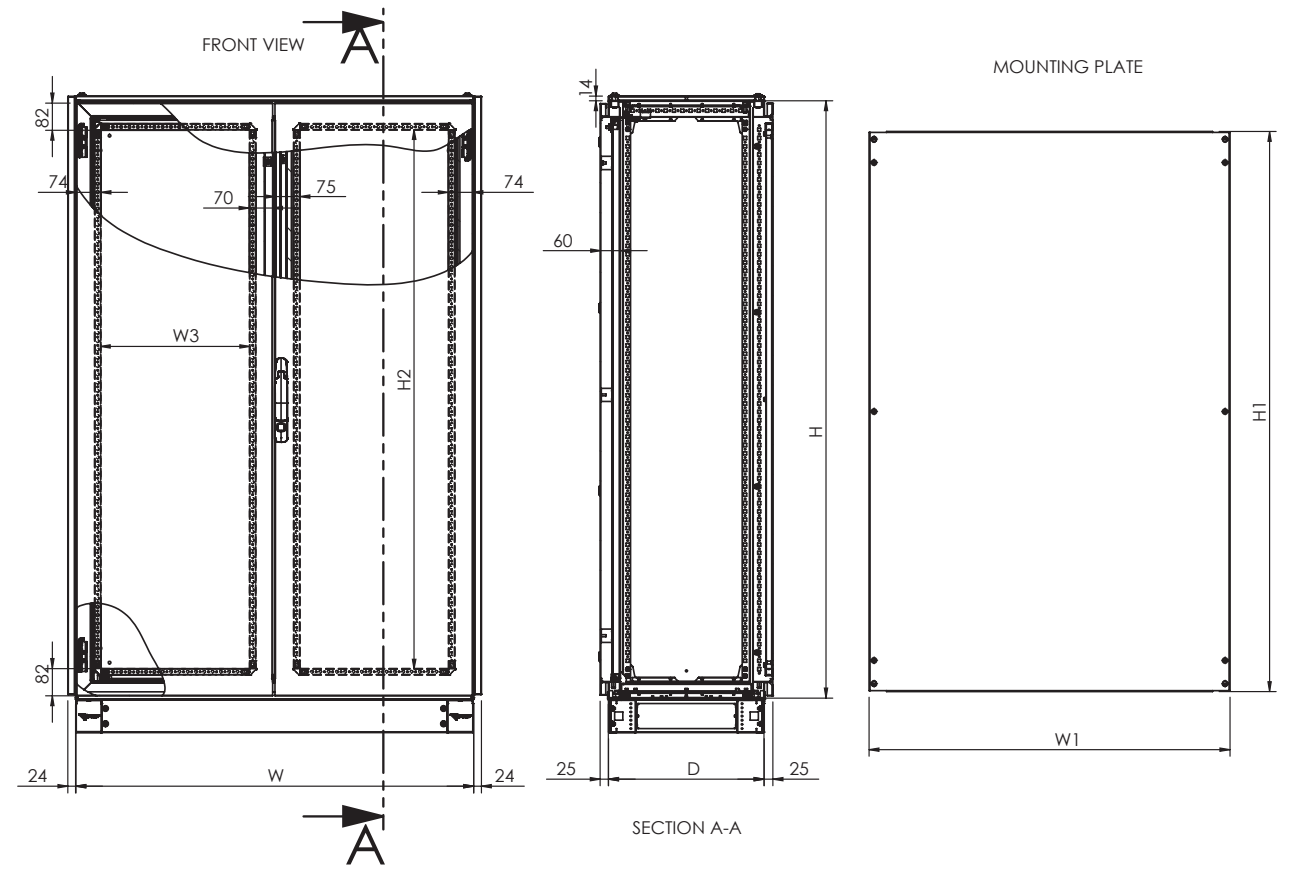
ENCLOSURE WIDTH (W)	W	W1	W2	W3
600	600	488	520	447
800	800	688	720	647
1000	1000	888	920	347
1200	1200	1088	1120	447

ENCLOSURE HEIGHT (H)	H	H1	H2
1600	1600	1488	1422
1800	1800	1688	1622
2000	2000	1888	1822

ENCLOSURE DEPTH (D)	D	D2
400	370	320
500	470	420
600	570	520

ENCLOSURE WIDTHxDEPTH	W4	D3	GLAND PLATE QUANTITY
600x400	300	115	1
600x500	300	190	1
600x600	300	115	2
800x500	500	190	1
800x600	500	115	2
1000x400	300	115	2
1200x400	400	115	2
1200x500	400	190	2

NEO SERIES STAINLESS STEEL DOUBLE DOOR



BOTTOM VIEW

ENCLOSURE WIDTH (W)	W	W1	W2	W3
600	600	488	520	447
800	800	688	720	647
1000	1000	888	920	347
1200	1200	1088	1120	447

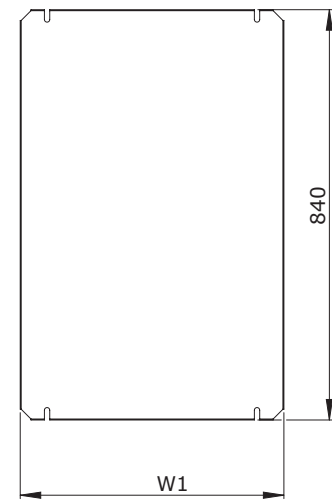
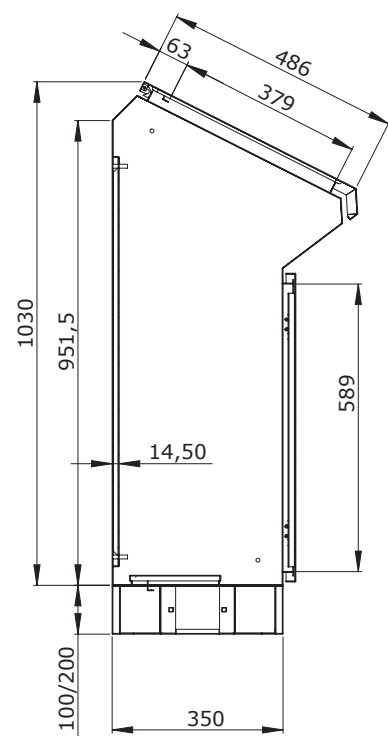
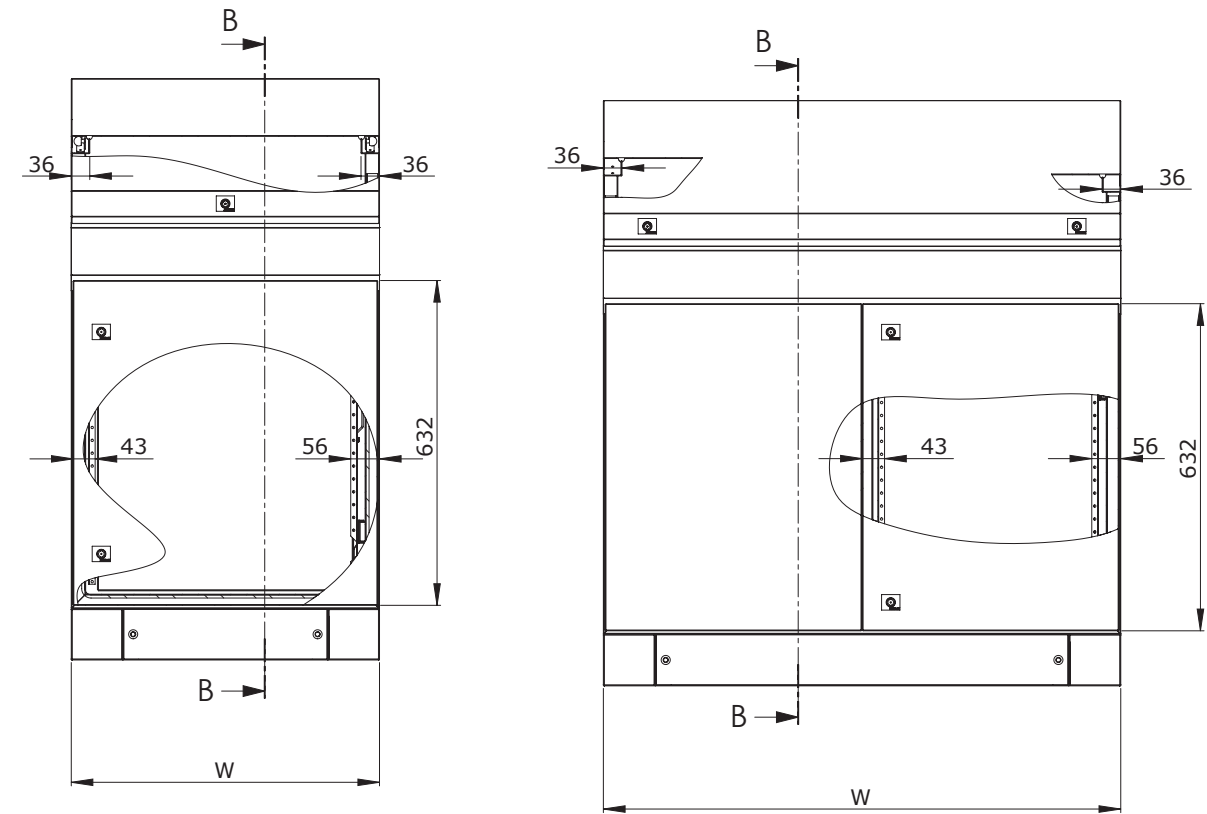
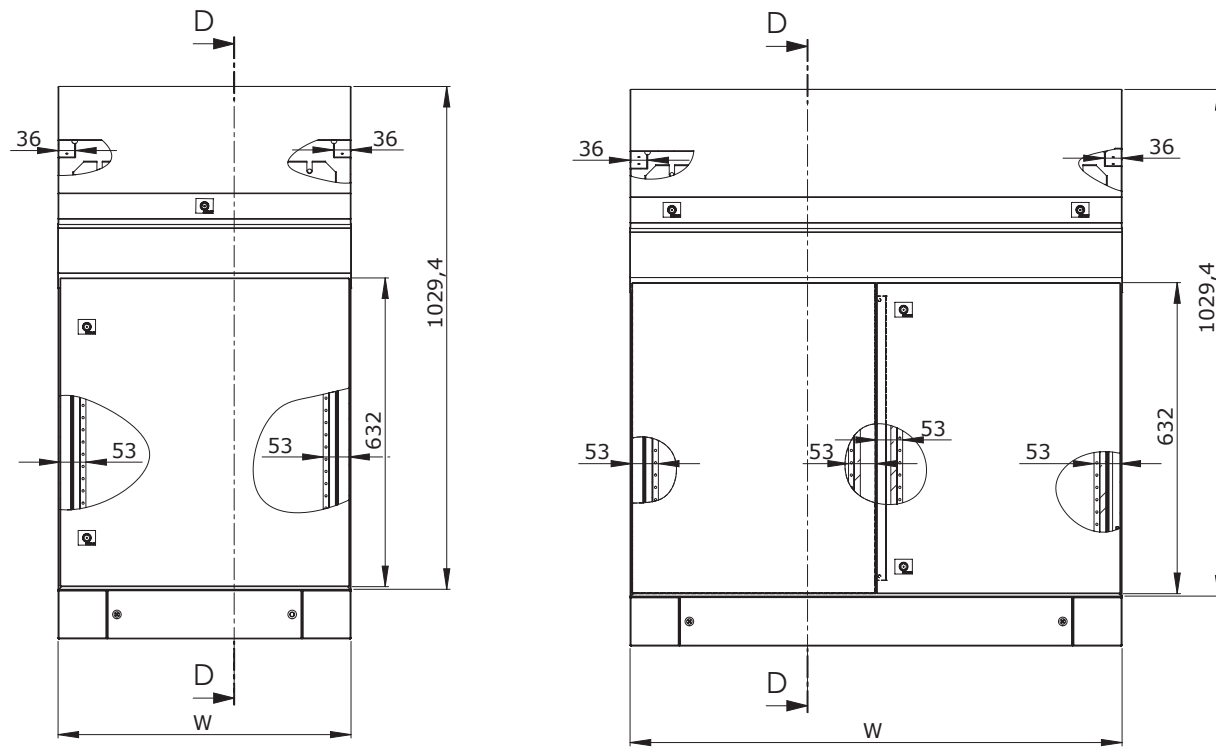
ENCLOSURE HEIGHT (H)	H	H1	H2
1600	1600	1488	1422
1800	1800	1688	1622
2000	2000	1888	1822

ENCLOSURE DEPTH (D)	D	D2
400	370	320
500	470	420
600	570	520

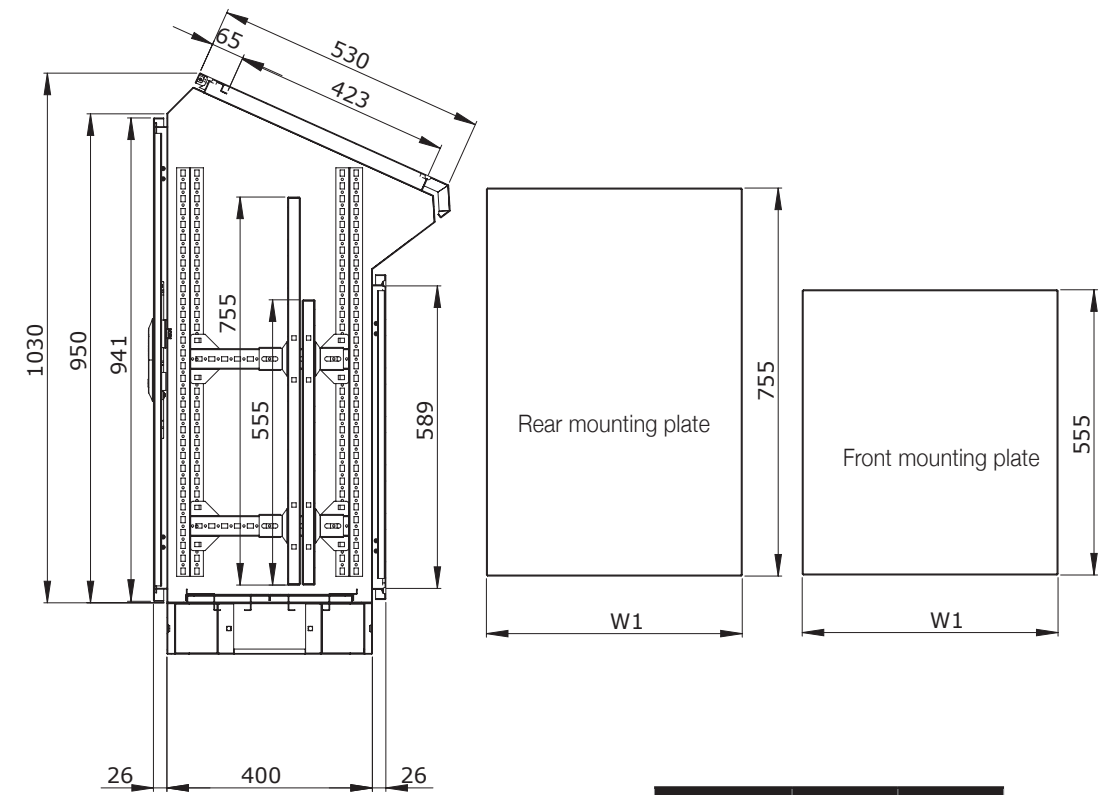
ENCLOSURE WIDTHxDEPTH	W4	D3	GLAND PLATE QUANTITY
600x400	300	115	1
600x500	300	190	1
600x600	300	115	2
800x500	500	190	1
800x600	500	115	2
1000x400	300	115	2
1200x400	400	115	2
1200x500	400	190	2

KMT-1000 SERIES

KMP-2000 SERIES



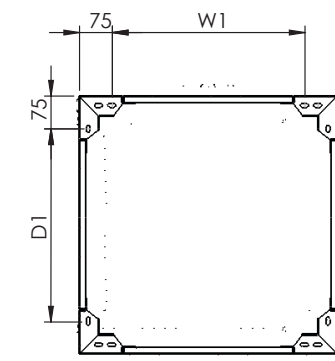
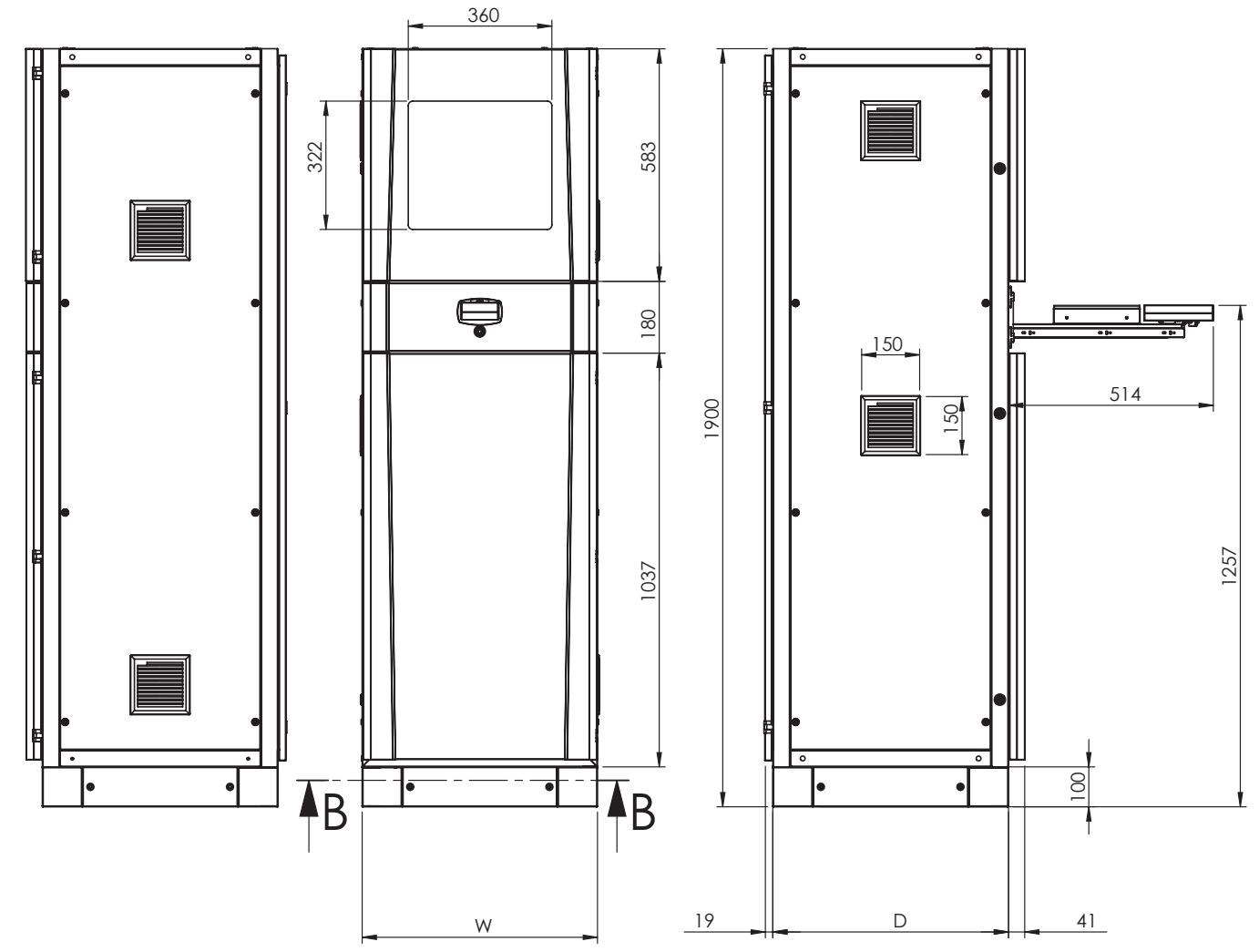
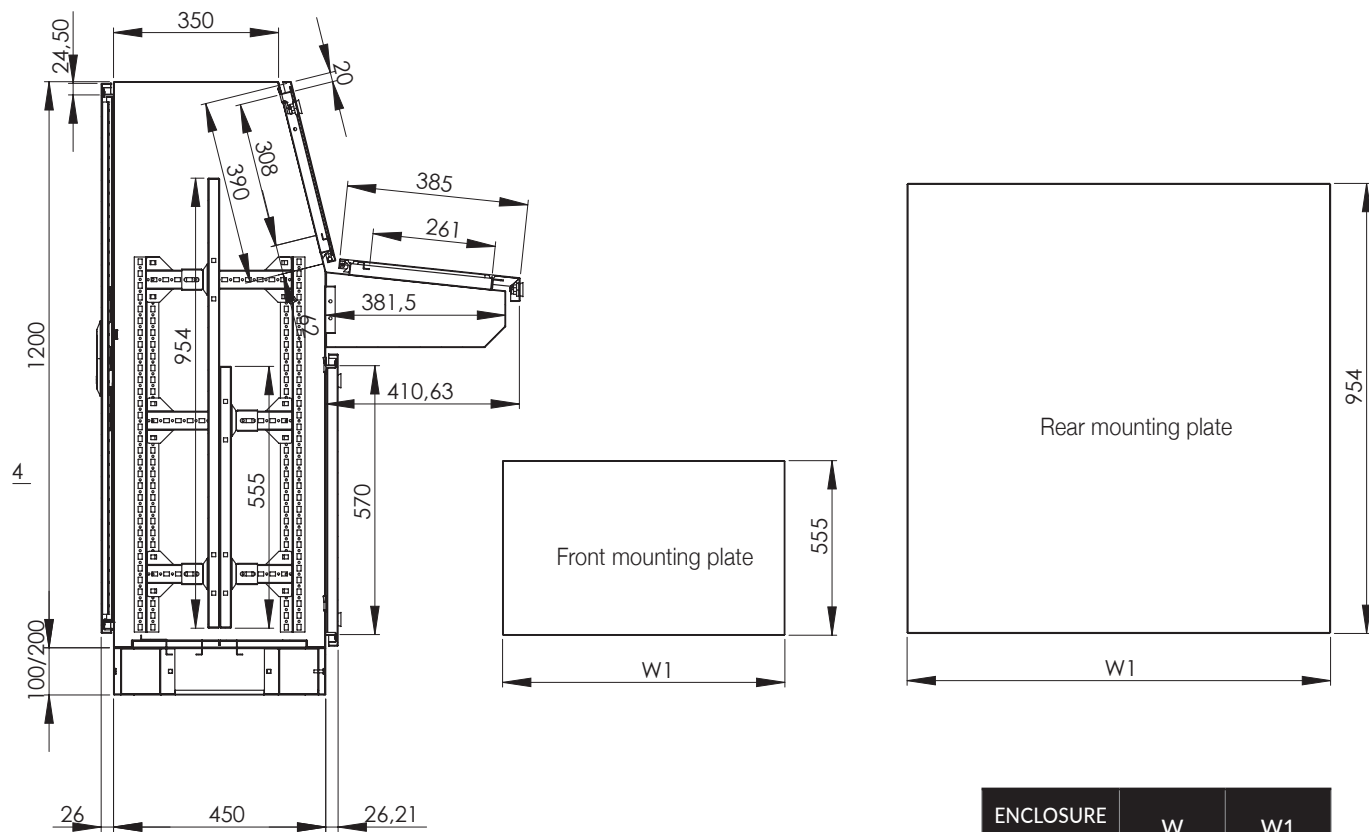
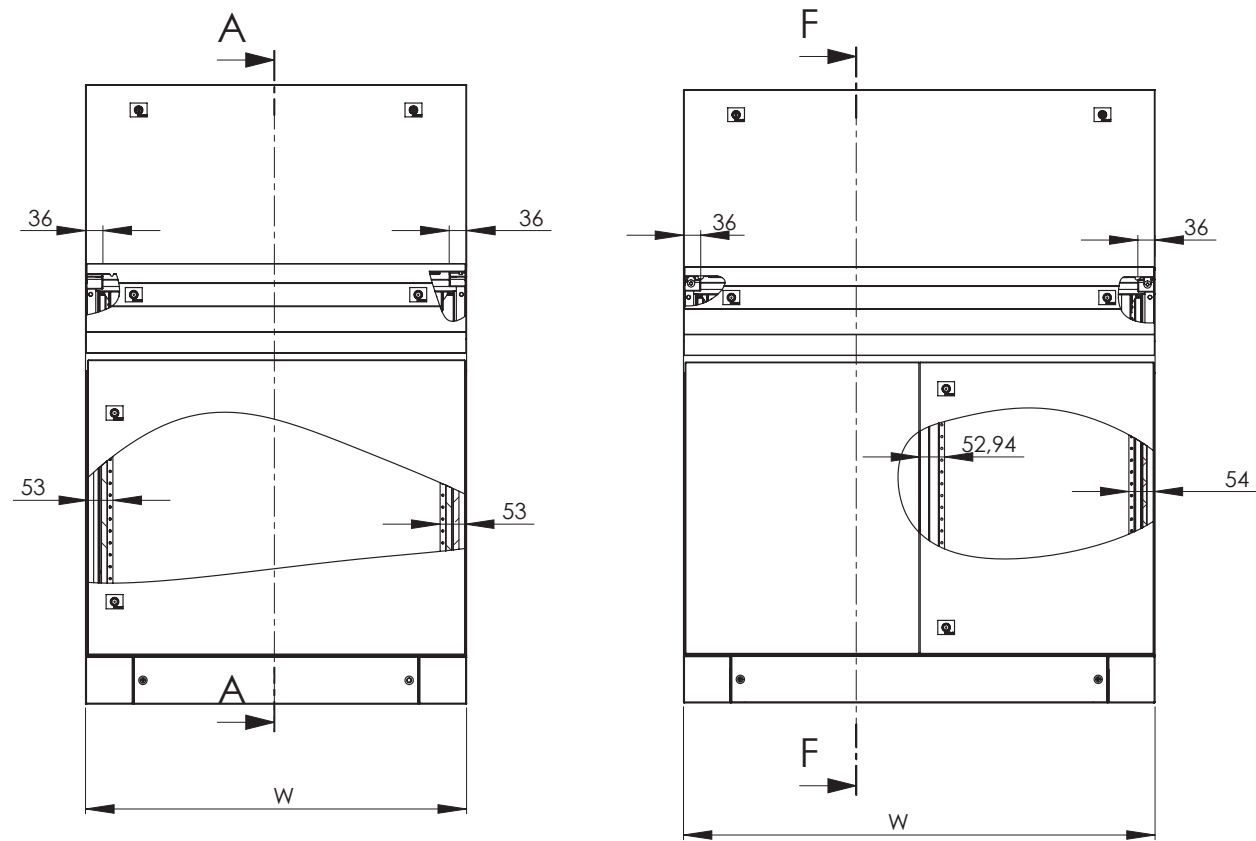
ENCLOSURE WIDTH	W	W1
600	600	540
800	800	740
1000	1000	940
1200	1200	1140



ENCLOSURE WIDTH	W	W1
600	600	498
800	800	698
1000	1000	898
1200	1200	1098

KMP-3000 SERIES

PC CABINET



SECTION F-F
SCALE 1 : 10

ENCLOSURE WIDTH	W	W1
600	600	498
800	800	698
1000	1000	898
1200	1200	1098

ENCLOSURE WIDTH	W	W1
600	590	440

ENCLOSURE DEPTH	D	D1
600	590	440
800	790	640