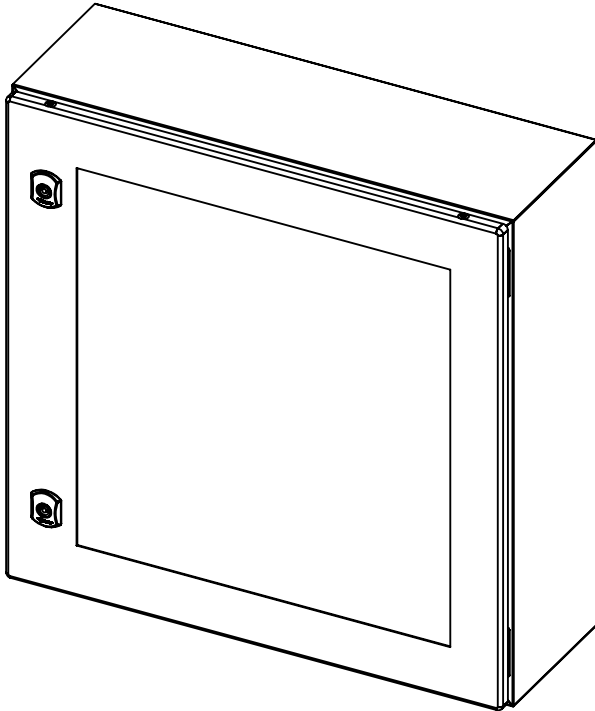
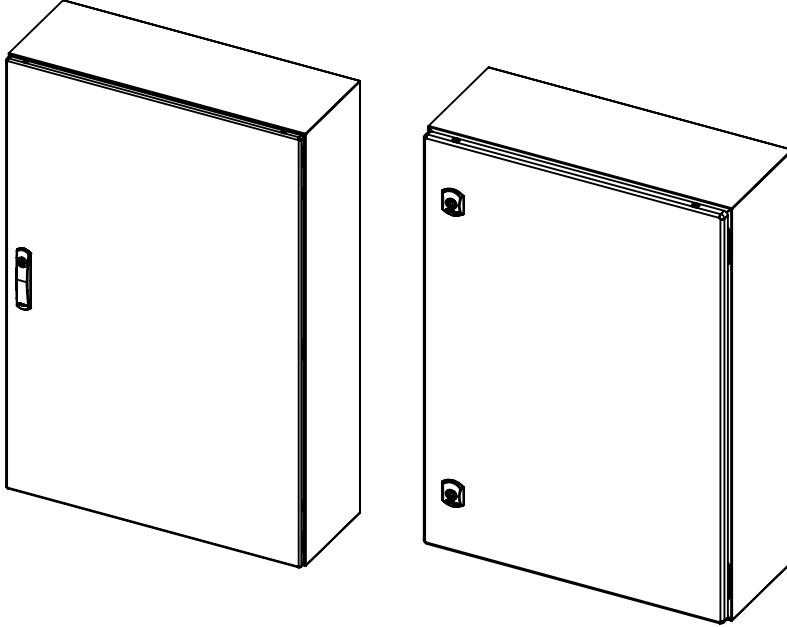


tekpan[®]

INDUSTRIAL ENCLOSURES & CABINETS



DM MEDIUM SERIES **DM MEDIUM SERİSİ**

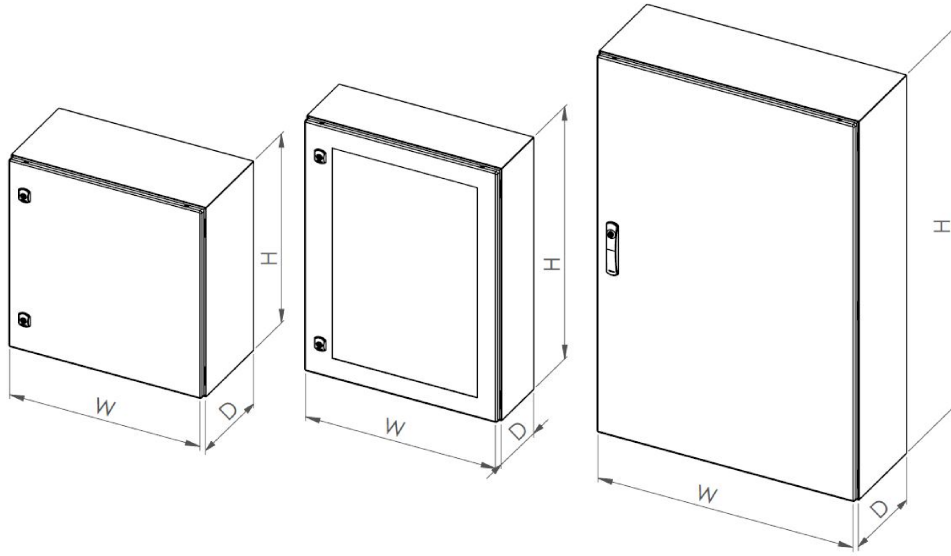
DM 252.315	DM 256.821
DM 252.321	DM 256.826
DM 252.351	DM 256.830
DM 253.315	DM 256.840
DM 253.321	DM 256.126
DM 253.415	DM 256.130
DM 253.421	DM 256.123
DM 253.521	DM 258.630
DM 254.315	DM 258.632
DM 254.421	DM 258.821
DM 254.515	DM 258.830
DM 254.521	DM 258.126
DM 254.526	DM 258.130
DM 254.530	DM 258.123
DM 254.615	DM 274.521
DM 254.621	DM 274.530
DM 254.626	DM 274.621
DM 254.630	DM 274.630
DM 254.830	DM 275.621
DM 255.421	DM 275.630
DM 255.521	DM 275.721
DM 255.530	DM 275.726
DM 255.615	DM 276.621
DM 255.621	DM 276.630
DM 255.626	DM 276.821
DM 255.630	DM 276.830
DM 255.721	DM 276.126
DM 255.726	DM 276.130
DM 256.421	DM 276.123
DM 256.621	DM 278.130
DM 256.630	DM 278.123
DM 256.640	



For more information go to www.tekpan.com

DM MEDIUM SERIES

DM MEDIUM SERİSİ



DM 252.315	DM Medium 250 G x 300 Y x 150 D	DM 256.821	DM Medium 600 G x 800 Y x 210 D
DM 252.321	DM Medium 250 G x 300 Y x 210 D	DM 256.826	DM Medium 600 G x 800 Y x 260 D
DM 252.351	DM Medium 250 G x 350 Y x 150 D	DM 256.830	DM Medium 600 G x 800 Y x 300 D
DM 253.315	DM Medium 300 G x 300 Y x 150 D	DM 256.840	DM Medium 600 G x 800 Y x 400 D
DM 253.321	DM Medium 300 G x 300 Y x 210 D	DM 256.126	DM Medium 600 G x 1000 Y x 260 D
DM 253.415	DM Medium 300 G x 400 Y x 150 D	DM 256.130	DM Medium 600 G x 1000 Y x 300 D
DM 253.421	DM Medium 300 G x 400 Y x 210 D	DM 256.123	DM Medium 600 G x 1200 Y x 300 D
DM 253.521	DM Medium 300 G x 500 Y x 210 D	DM 258.630	DM Medium 800 G x 600 Y x 300 D
DM 254.315	DM Medium 400 G x 300 Y x 150 D	DM 258.632	DM Medium 800 G x 600 Y x 300 D
DM 254.421	DM Medium 400 G x 400 Y x 210 D	DM 258.821	DM Medium 800 G x 800 Y x 210 D
DM 254.515	DM Medium 400 G x 500 Y x 150 D	DM 258.830	DM Medium 800 G x 800 Y x 300 D
DM 254.521	DM Medium 400 G x 500 Y x 210 D	DM 258.126	DM Medium 800 G x 1000 Y x 260 D
DM 254.526	DM Medium 400 G x 500 Y x 260 D	DM 258.130	DM Medium 800 G x 1000 Y x 300 D
DM 254.530	DM Medium 400 G x 500 Y x 300 D	DM 258.123	DM Medium 800 G x 1200 Y x 300 D
DM 254.615	DM Medium 400 G x 600 Y x 150 D	DM 274.521	DM Medium 400 G x 500 Y x 210 D GLZ.DOOR
DM 254.621	DM Medium 400 G x 600 Y x 210 D	DM 274.530	DM Medium 400 G x 500 Y x 300 D GLZ.DOOR
DM 254.626	DM Medium 400 G x 600 Y x 260 D	DM 274.621	DM Medium 400 G x 600 Y x 210 D GLZ.DOOR
DM 254.630	DM Medium 400 G x 600 Y x 300 D	DM 274.630	DM Medium 400 G x 600 Y x 300 D GLZ.DOOR
DM 254.830	DM Medium 400 G x 800 Y x 300 D	DM 275.621	DM Medium 500 G x 600 Y x 210 D GLZ.DOOR
DM 255.421	DM Medium 500 G x 400 Y x 210 D	DM 275.630	DM Medium 500 G x 600 Y x 300 D GLZ.DOOR
DM 255.521	DM Medium 500 G x 500 Y x 210 D	DM 275.721	DM Medium 500 G x 700 Y x 210 D GLZ.DOOR
DM 255.530	DM Medium 500 G x 500 Y x 300 D	DM 275.726	DM Medium 500 G x 700 Y x 260 D GLZ.DOOR
DM 255.615	DM Medium 500 G x 600 Y x 150 D	DM 276.621	DM Medium 600 G x 600 Y x 210 D GLZ.DOOR
DM 255.621	DM Medium 500 G x 600 Y x 210 D	DM 276.630	DM Medium 600 G x 600 Y x 300 D GLZ.DOOR
DM 255.626	DM Medium 500 G x 600 Y x 260 D	DM 276.821	DM Medium 600 G x 800 Y x 210 D GLZ.DOOR
DM 255.630	DM Medium 500 G x 600 Y x 300 D	DM 276.830	DM Medium 600 G x 800 Y x 300 D GLZ.DOOR
DM 255.721	DM Medium 500 G x 700 Y x 210 D	DM 276.126	DM Medium 600 G x 1000 Y x 260 D GLZ.DOOR
DM 255.726	DM Medium 500 G x 700 Y x 260 D	DM 276.130	DM Medium 600 G x 1000 Y x 300 D GLZ.DOOR
DM 256.421	DM Medium 600 G x 400 Y x 210 D	DM 276.123	DM Medium 600 G x 1200 Y x 300 D GLZ.DOOR
DM 256.621	DM Medium 600 G x 600 Y x 210 D	DM 278.130	DM Medium 800 G x 1000 Y x 300 D GLZ.DOOR
DM 256.630	DM Medium 600 G x 600 Y x 300 D	DM 278.123	DM Medium 800 G x 1200 Y x 300 D GLZ.DOOR
DM 256.640	DM Medium 600 G x 600 Y x 400 D		

DM MEDIUM SERIES

DM MEDIUM SERİSİ

DM MEDIUM SERIES														
ITEM	Ref.No:	PRODUCT INFORMATION												
		ENCLOSURE DIMENSIONS W x H x D (mm)			SHEET THICKNESS(mm)			MOUNTING PLATE DIMENSIONS W x H (mm)		MOUNTING PLATE	DOOR			
		*WIDTH (mm)	*HEIGHT (mm)	*DEPTH (mm)	BODY (mm)	COVER (mm)	MOUNTING PLATE (mm)	WIDTH (mm)	HEIGHT (mm)	INC.-/W/O	LOCK	LOCK PIECE	HINGE QTY	DOOR TYPE
1	DM 252.315	250	300	150	1,2	1,2	2	200	275	INC.	QUARTER TURN DOUBLE-BIT LOCK	1	2	SOLID
2	DM 252.321	250	300	210	1,2	1,2	2	200	275	INC.	QUARTER TURN DOUBLE-BIT LOCK	1	2	SOLID
3	DM 252.351	250	350	150	1,2	1,2	2	200	325	INC.	QUARTER TURN DOUBLE-BIT LOCK	1	2	SOLID
4	DM 253.315	300	300	150	1,2	1,2	2	250	275	INC.	QUARTER TURN DOUBLE-BIT LOCK	1	2	SOLID
5	DM 253.321	300	300	210	1,2	1,2	2	250	275	INC.	QUARTER TURN DOUBLE-BIT LOCK	1	2	SOLID
6	DM 253.415	300	400	150	1,2	1,2	2	250	375	INC.	QUARTER TURN DOUBLE-BIT LOCK	1	2	SOLID
7	DM 253.421	300	400	210	1,2	1,2	2	250	375	INC.	QUARTER TURN DOUBLE-BIT LOCK	1	2	SOLID
8	DM 253.521	300	500	210	1,2	1,2	2	250	475	INC.	QUARTER TURN DOUBLE-BIT LOCK	2	2	SOLID
9	DM 254.315	400	300	150	1,2	1,2	2	350	275	INC.	QUARTER TURN DOUBLE-BIT LOCK	1	2	SOLID
10	DM 254.421	400	400	210	1,2	1,2	2	350	375	INC.	QUARTER TURN DOUBLE-BIT LOCK	1	2	SOLID
11	DM 254.515	400	500	150	1,2	1,2	2	350	475	INC.	QUARTER TURN DOUBLE-BIT LOCK	2	2	SOLID
12	DM 254.521	400	500	210	1,2	1,2	2	350	475	INC.	QUARTER TURN DOUBLE-BIT LOCK	2	2	SOLID
13	DM 254.526	400	500	260	1,2	1,2	2	350	475	INC.	QUARTER TURN DOUBLE-BIT LOCK	2	2	SOLID
14	DM 254.530	400	500	300	1,2	1,2	2	350	475	INC.	QUARTER TURN DOUBLE-BIT LOCK	2	2	SOLID
15	DM 254.615	400	600	150	1,2	1,2	2	350	575	INC.	QUARTER TURN DOUBLE-BIT LOCK	2	2	SOLID
16	DM 254.621	400	600	210	1,2	1,2	2	350	575	INC.	QUARTER TURN DOUBLE-BIT LOCK	2	2	SOLID
17	DM 254.626	400	600	260	1,2	1,2	2	350	575	INC.	QUARTER TURN DOUBLE-BIT LOCK	2	2	SOLID
18	DM 254.630	400	600	300	1,2	1,2	2	350	575	INC.	QUARTER TURN DOUBLE-BIT LOCK	2	2	SOLID
19	DM 254.830	400	800	300	1,2	1,5	2	350	775	INC.	QUARTER TURN DOUBLE-BIT LOCK	2	2	SOLID
20	DM 255.421	500	400	210	1,2	1,2	2	450	375	INC.	QUARTER TURN DOUBLE-BIT LOCK	1	2	SOLID
21	DM 255.521	500	500	210	1,2	1,2	2	450	475	INC.	QUARTER TURN DOUBLE-BIT LOCK	2	2	SOLID
22	DM 255.530	500	500	300	1,2	1,2	2	450	475	INC.	QUARTER TURN DOUBLE-BIT LOCK	2	2	SOLID
23	DM 255.615	500	600	150	1,2	1,2	2	450	575	INC.	QUARTER TURN DOUBLE-BIT LOCK	2	2	SOLID
24	DM 255.621	500	600	210	1,2	1,5	2	450	575	INC.	QUARTER TURN DOUBLE-BIT LOCK	2	2	SOLID
25	DM 255.626	500	600	260	1,2	1,5	2	450	575	INC.	QUARTER TURN DOUBLE-BIT LOCK	2	2	SOLID
26	DM 255.630	500	600	300	1,2	1,5	2	450	575	INC.	QUARTER TURN DOUBLE-BIT LOCK	2	2	SOLID
27	DM 255.721	500	700	210	1,2	1,5	2	450	675	INC.	QUARTER TURN DOUBLE-BIT LOCK	2	2	SOLID
28	DM 255.726	500	700	260	1,2	1,5	2	450	675	INC.	QUARTER TURN DOUBLE-BIT LOCK	2	2	SOLID
29	DM 256.421	600	400	210	1,2	1,2	2	550	375	INC.	QUARTER TURN DOUBLE-BIT LOCK	1	2	SOLID
30	DM 256.621	600	600	210	1,2	1,5	2	550	575	INC.	QUARTER TURN DOUBLE-BIT LOCK	2	2	SOLID
31	DM 256.630	600	600	300	1,2	1,5	2	550	575	INC.	QUARTER TURN DOUBLE-BIT LOCK	2	2	SOLID
32	DM 256.640	600	600	400	1,2	1,5	2	550	575	INC.	QUARTER TURN DOUBLE-BIT LOCK	2	2	SOLID
33	DM 256.821	600	800	210	1,5	2	2	550	775	INC.	QUARTER TURN DOUBLE-BIT LOCK	2	2	SOLID
34	DM 256.826	600	800	260	1,5	2	2	550	775	INC.	QUARTER TURN DOUBLE-BIT LOCK	2	2	SOLID
35	DM 256.830	600	800	300	1,5	2	2	550	775	INC.	QUARTER TURN DOUBLE-BIT LOCK	2	2	SOLID
36	DM 256.840	600	800	400	1,5	2	2	550	775	INC.	QUARTER TURN DOUBLE-BIT LOCK	2	2	SOLID
37	DM 256.126	600	1000	260	1,5	2	2	550	975	INC.	QUARTER TURN DOUBLE-BIT LOCK	2	3	SOLID
38	DM 256.130	600	1000	300	1,5	2	2	550	975	INC.	QUARTER TURN DOUBLE-BIT LOCK	2	3	SOLID
39	DM 256.123	600	1200	300	1,5	2	2	550	1175	INC.	3 NOKTALI DOUBLE-BIT KİLİT	1	3	SOLID
40	DM 258.630	800	600	300	1,2	2	2	750	575	INC.	QUARTER TURN DOUBLE-BIT LOCK	2	2	SOLID
41	DM 258.632	800	600	300	1,2	2	2	750	575	INC.	QUARTER TURN DOUBLE-BIT LOCK	2	4	DOUBLE DOOR
42	DM 258.821	800	800	210	1,5	2	2	750	775	INC.	QUARTER TURN DOUBLE-BIT LOCK	2	2	SOLID
43	DM 258.830	800	800	300	1,5	2	2	750	775	INC.	QUARTER TURN DOUBLE-BIT LOCK	2	2	SOLID
44	DM 258.126	800	1000	260	1,5	2	2	750	975	INC.	QUARTER TURN DOUBLE-BIT LOCK	2	3	SOLID
45	DM 258.130	800	1000	300	1,5	2	2	750	975	INC.	QUARTER TURN DOUBLE-BIT LOCK	2	3	SOLID
46	DM 258.123	800	1200	300	1,5	2	2	750	1175	INC.	3 NOKTALI DOUBLE-BIT KİLİT	1	3	SOLID
47	DM 274.521	400	500	210	1,2	1,2	2	350	475	W/O	QUARTER TURN DOUBLE-BIT LOCK	2	2	GLAZED
48	DM 274.530	400	500	300	1,2	1,2	2	350	475	W/O	QUARTER TURN DOUBLE-BIT LOCK	2	2	GLAZED
49	DM 274.621	400	600	210	1,2	1,2	2	350	575	W/O	QUARTER TURN DOUBLE-BIT LOCK	2	2	GLAZED
50	DM 274.630	400	600	300	1,2	1,2	2	350	575	W/O	QUARTER TURN DOUBLE-BIT LOCK	2	2	GLAZED
51	DM 275.621	500	600	210	1,2	1,5	2	450	575	W/O	QUARTER TURN DOUBLE-BIT LOCK	2	2	GLAZED
52	DM 275.630	500	600	300	1,2	1,5	2	450	575	W/O	QUARTER TURN DOUBLE-BIT LOCK	2	2	GLAZED
53	DM 275.721	500	700	210	1,2	1,5	2	450	675	W/O	QUARTER TURN DOUBLE-BIT LOCK	2	2	GLAZED
54	DM 275.726	500	700	260	1,2	1,5	2	450	675	W/O	QUARTER TURN DOUBLE-BIT LOCK	2	2	GLAZED
55	DM 276.621	600	600	210	1,2	1,5	2	550	575	W/O	QUARTER TURN DOUBLE-BIT LOCK	2	2	GLAZED
56	DM 276.630	600	600	300	1,2	1,5	2	550	575	W/O	QUARTER TURN DOUBLE-BIT LOCK	2	2	GLAZED
57	DM 276.821	600	800	210	1,5	2	2	550	775	W/O	QUARTER TURN DOUBLE-BIT LOCK	2	2	GLAZED
58	DM 276.830	600	800	300	1,5	2	2	550	775	W/O	QUARTER TURN DOUBLE-BIT LOCK	2	2	GLAZED
59	DM 276.126	600	1000	260	1,5	2	2	550	975	W/O	QUARTER TURN DOUBLE-BIT LOCK	2	3	GLAZED
60	DM 276.130	600	1000	300	1,5	2	2	550	975	W/O	QUARTER TURN DOUBLE-BIT LOCK	2	3	GLAZED
61	DM 276.123	600	1200	300	1,5	2	2	550	1175	W/O	3 POINT DOUBLE-BIT LOCK	1	3	GLAZED
62	DM 278.130	800	1000	300	1,5	2	2	750	975	W/O	QUARTER TURN DOUBLE-BIT LOCK	2	3	GLAZED
63	DM 278.123	800	1200	300	1,5	2	2	750	1175	W/O	3 POINT DOUBLE-BIT LOCK	1	3	GLAZED

Material	Main Body 1,2mm-1,5mm Mild Steel, Front Door 1,2mm-1,5mm-2mm Mild Steel Mounting Plate 2mm Galvanized
Surface Finishing	Iron-phosphate + electrostatic powder coating RAL 7035
IK 10	Single Door
IK 8	Glazed Door
IP Class	IEC ve EN 60529 IP 66
NEMA Class	Nema 4
Standarts	IEC 62208 (Enclosure Standarts)
Corrosion Class	C3 according to TS EN ISO 12944-2
Guarantee	KYT-72

DM MEDIUM SERIES

DM MEDIUM SERİSİ

DM MEDIUM SERIES						
ITEM	Ref.No:	ENCLOSURE DIMENSIONS W x H x D (mm)			**MOUNTING PLATE	***WALL BRACKET
		*WIDTH (mm)	*HEIGHT (mm)	*DEPTH (mm)		
1	DM 252.315	250	300	150	943.323	971.300
2	DM 252.321	250	300	210	943.323	971.300
3	DM 252.351	250	350	150	943.353	971.300
4	DM 253.315	300	300	150	943.333	971.300
5	DM 253.321	300	300	210	943.333	971.300
6	DM 253.415	300	400	150	943.334	971.300
7	DM 253.421	300	400	210	943.334	971.300
8	DM 253.521	300	500	210	943.335	971.300
9	DM 254.315	400	300	150	943.343	971.300
10	DM 254.421	400	400	210	943.344	971.300
11	DM 254.515	400	500	150	943.345	971.300
12	DM 254.521	400	500	210	943.345	971.300
13	DM 254.526	400	500	260	943.345	971.300
14	DM 254.530	400	500	300	943.345	971.300
15	DM 254.615	400	600	150	943.346	971.300
16	DM 254.621	400	600	210	943.346	971.300
17	DM 254.626	400	600	260	943.346	971.300
18	DM 254.630	400	600	300	943.346	971.300
19	DM 254.830	400	800	300	94.338	971.300
20	DM 255.421	500	400	210	943.354	971.300
21	DM 255.521	500	500	210	943.355	971.300
22	DM 255.530	500	500	300	943.355	971.300
23	DM 255.615	500	600	150	943.356	971.300
24	DM 255.621	500	600	210	943.356	971.300
25	DM 255.626	500	600	260	943.356	971.300
26	DM 255.630	500	600	300	943.356	971.300
27	DM 255.721	500	700	210	943.357	971.300
28	DM 255.726	500	700	260	943.357	971.300
29	DM 256.421	600	400	210	943.364	971.300
30	DM 256.621	600	600	210	943.366	971.300
31	DM 256.630	600	600	300	943.366	971.300
32	DM 256.640	600	600	400	943.366	971.300
33	DM 256.821	600	800	210	943.368	971.300
34	DM 256.826	600	800	260	943.368	971.300
35	DM 256.830	600	800	300	943.368	971.300
36	DM 256.840	600	800	400	943.368	971.300
37	DM 256.126	600	1000	260	943.361	971.300
38	DM 256.130	600	1000	300	943.361	971.300
39	DM 256.123	600	1200	300	943.362	971.300
40	DM 258.630	800	600	300	943.386	971.300
41	DM 258.821	800	800	210	943.388	971.300
42	DM 258.830	800	800	300	943.388	971.300
43	DM 258.832	800	800	300	943.388	971.300
44	DM 258.126	800	1000	260	943.381	971.300
45	DM 258.130	800	1000	300	943.381	971.300
46	DM 258.123	800	1200	300	943.382	971.300

INFORMATION

- * Please check the electronic copies (2D drawing) for the original dimensions.
- ** The option is a product, the package content comes as 1 Mounting plate and bolt pack.
- *** One panel must be ordered per panel, there are 4 wall brackets, sealing gaskets and connection equipment in the package.

DM MEDIUM SERIES

DM MEDIUM SERİSİ

DM MEDIUM SERİSİ

SIRA	Ref.No:	ÜRÜN BİLGİSİ												
		PANO ÖLÇÜLERİ W x H x D (mm)			SAC KALINLIKLARI(mm)			MONTAJ PLAKASI ÖLÇÜLERİ W x H (mm)		MONTAJ PLAKASI	KAPAK			
		*GENİŞLİK (mm)	*YÜKSEKLİK (mm)	*DERİNLİK (mm)	GÖVDE (mm)	KAPAK (mm)	MONTAJ PLAKASI (mm)	GENİŞLİK (mm)	YÜKSEKLİK (mm)	MON. PL. VAR / YOK	KİLİT	KİLİT ADEĐİ	MENTEŞE ADEĐİ	KAPI TİPİ
1	DM 252.315	250	300	150	1,2	1,2	2	200	275	VAR	ÇEYREK DÖNÜŞLÜ DOUBLE-BIT KİLİT	1	2	DÜZ
2	DM 252.321	250	300	210	1,2	1,2	2	200	275	VAR	ÇEYREK DÖNÜŞLÜ DOUBLE-BIT KİLİT	1	2	DÜZ
3	DM 252.351	250	350	150	1,2	1,2	2	200	325	VAR	ÇEYREK DÖNÜŞLÜ DOUBLE-BIT KİLİT	1	2	DÜZ
4	DM 253.315	300	300	150	1,2	1,2	2	250	275	VAR	ÇEYREK DÖNÜŞLÜ DOUBLE-BIT KİLİT	1	2	DÜZ
5	DM 253.321	300	300	210	1,2	1,2	2	250	275	VAR	ÇEYREK DÖNÜŞLÜ DOUBLE-BIT KİLİT	1	2	DÜZ
6	DM 253.415	300	400	150	1,2	1,2	2	250	375	VAR	ÇEYREK DÖNÜŞLÜ DOUBLE-BIT KİLİT	1	2	DÜZ
7	DM 253.421	300	400	210	1,2	1,2	2	250	375	VAR	ÇEYREK DÖNÜŞLÜ DOUBLE-BIT KİLİT	1	2	DÜZ
8	DM 253.521	300	500	210	1,2	1,2	2	250	475	VAR	ÇEYREK DÖNÜŞLÜ DOUBLE-BIT KİLİT	2	2	DÜZ
9	DM 254.315	400	300	150	1,2	1,2	2	350	275	VAR	ÇEYREK DÖNÜŞLÜ DOUBLE-BIT KİLİT	1	2	DÜZ
10	DM 254.421	400	400	210	1,2	1,2	2	350	375	VAR	ÇEYREK DÖNÜŞLÜ DOUBLE-BIT KİLİT	1	2	DÜZ
11	DM 254.515	400	500	150	1,2	1,2	2	350	475	VAR	ÇEYREK DÖNÜŞLÜ DOUBLE-BIT KİLİT	2	2	DÜZ
12	DM 254.521	400	500	210	1,2	1,2	2	350	475	VAR	ÇEYREK DÖNÜŞLÜ DOUBLE-BIT KİLİT	2	2	DÜZ
13	DM 254.526	400	500	260	1,2	1,2	2	350	475	VAR	ÇEYREK DÖNÜŞLÜ DOUBLE-BIT KİLİT	2	2	DÜZ
14	DM 254.530	400	500	300	1,2	1,2	2	350	475	VAR	ÇEYREK DÖNÜŞLÜ DOUBLE-BIT KİLİT	2	2	DÜZ
15	DM 254.615	400	600	150	1,2	1,2	2	350	575	VAR	ÇEYREK DÖNÜŞLÜ DOUBLE-BIT KİLİT	2	2	DÜZ
16	DM 254.621	400	600	210	1,2	1,2	2	350	575	VAR	ÇEYREK DÖNÜŞLÜ DOUBLE-BIT KİLİT	2	2	DÜZ
17	DM 254.626	400	600	260	1,2	1,2	2	350	575	VAR	ÇEYREK DÖNÜŞLÜ DOUBLE-BIT KİLİT	2	2	DÜZ
18	DM 254.630	400	600	300	1,2	1,2	2	350	575	VAR	ÇEYREK DÖNÜŞLÜ DOUBLE-BIT KİLİT	2	2	DÜZ
19	DM 254.830	400	800	300	1,2	1,5	2	350	775	VAR	ÇEYREK DÖNÜŞLÜ DOUBLE-BIT KİLİT	2	2	DÜZ
20	DM 255.421	500	400	210	1,2	1,2	2	450	375	VAR	ÇEYREK DÖNÜŞLÜ DOUBLE-BIT KİLİT	1	2	DÜZ
21	DM 255.521	500	500	210	1,2	1,2	2	450	475	VAR	ÇEYREK DÖNÜŞLÜ DOUBLE-BIT KİLİT	2	2	DÜZ
22	DM 255.530	500	500	300	1,2	1,2	2	450	475	VAR	ÇEYREK DÖNÜŞLÜ DOUBLE-BIT KİLİT	2	2	DÜZ
23	DM 255.615	500	600	150	1,2	1,2	2	450	575	VAR	ÇEYREK DÖNÜŞLÜ DOUBLE-BIT KİLİT	2	2	DÜZ
24	DM 255.621	500	600	210	1,2	1,5	2	450	575	VAR	ÇEYREK DÖNÜŞLÜ DOUBLE-BIT KİLİT	2	2	DÜZ
25	DM 255.626	500	600	260	1,2	1,5	2	450	575	VAR	ÇEYREK DÖNÜŞLÜ DOUBLE-BIT KİLİT	2	2	DÜZ
26	DM 255.630	500	600	300	1,2	1,5	2	450	575	VAR	ÇEYREK DÖNÜŞLÜ DOUBLE-BIT KİLİT	2	2	DÜZ
27	DM 255.721	500	700	210	1,2	1,5	2	450	675	VAR	ÇEYREK DÖNÜŞLÜ DOUBLE-BIT KİLİT	2	2	DÜZ
28	DM 255.726	500	700	260	1,2	1,5	2	450	675	VAR	ÇEYREK DÖNÜŞLÜ DOUBLE-BIT KİLİT	2	2	DÜZ
29	DM 256.421	600	400	210	1,2	1,2	2	550	375	VAR	ÇEYREK DÖNÜŞLÜ DOUBLE-BIT KİLİT	1	2	DÜZ
30	DM 256.621	600	600	210	1,2	1,5	2	550	575	VAR	ÇEYREK DÖNÜŞLÜ DOUBLE-BIT KİLİT	2	2	DÜZ
31	DM 256.630	600	600	300	1,2	1,5	2	550	575	VAR	ÇEYREK DÖNÜŞLÜ DOUBLE-BIT KİLİT	2	2	DÜZ
32	DM 256.640	600	600	400	1,2	1,5	2	550	575	VAR	ÇEYREK DÖNÜŞLÜ DOUBLE-BIT KİLİT	2	2	DÜZ
33	DM 256.821	600	800	210	1,5	2	2	550	775	VAR	ÇEYREK DÖNÜŞLÜ DOUBLE-BIT KİLİT	2	2	DÜZ
34	DM 256.826	600	800	260	1,5	2	2	550	775	VAR	ÇEYREK DÖNÜŞLÜ DOUBLE-BIT KİLİT	2	2	DÜZ
35	DM 256.830	600	800	300	1,5	2	2	550	775	VAR	ÇEYREK DÖNÜŞLÜ DOUBLE-BIT KİLİT	2	2	DÜZ
36	DM 256.840	600	800	400	1,5	2	2	550	775	VAR	ÇEYREK DÖNÜŞLÜ DOUBLE-BIT KİLİT	2	2	DÜZ
37	DM 256.126	600	1000	260	1,5	2	2	550	975	VAR	ÇEYREK DÖNÜŞLÜ DOUBLE-BIT KİLİT	2	3	DÜZ
38	DM 256.130	600	1000	300	1,5	2	2	550	975	VAR	ÇEYREK DÖNÜŞLÜ DOUBLE-BIT KİLİT	2	3	DÜZ
39	DM 256.123	600	1200	300	1,5	2	2	550	1175	VAR	3 NOKTALI DOUBLE-BIT KİLİT	1	3	DÜZ
40	DM 258.630	800	600	300	1,2	2	2	750	575	VAR	ÇEYREK DÖNÜŞLÜ DOUBLE-BIT KİLİT	2	2	DÜZ
41	DM 258.632	800	600	300	1,2	2	2	750	575	VAR	ÇEYREK DÖNÜŞLÜ DOUBLE-BIT KİLİT	2	4	ÇİFT
42	DM 258.821	800	800	210	1,5	2	2	750	775	VAR	ÇEYREK DÖNÜŞLÜ DOUBLE-BIT KİLİT	2	2	DÜZ
43	DM 258.830	800	800	300	1,5	2	2	750	775	VAR	ÇEYREK DÖNÜŞLÜ DOUBLE-BIT KİLİT	2	2	DÜZ
44	DM 258.126	800	1000	260	1,5	2	2	750	975	VAR	ÇEYREK DÖNÜŞLÜ DOUBLE-BIT KİLİT	2	3	DÜZ
45	DM 258.130	800	1000	300	1,5	2	2	750	975	VAR	ÇEYREK DÖNÜŞLÜ DOUBLE-BIT KİLİT	2	3	DÜZ
46	DM 258.123	800	1200	300	1,5	2	2	750	1175	VAR	3 NOKTALI DOUBLE-BIT KİLİT	1	3	DÜZ
47	DM 274.521	400	500	210	1,2	1,2	2	350	475	YOK	ÇEYREK DÖNÜŞLÜ DOUBLE-BIT KİLİT	2	2	CAMLI
48	DM 274.530	400	500	300	1,2	1,2	2	350	475	YOK	ÇEYREK DÖNÜŞLÜ DOUBLE-BIT KİLİT	2	2	CAMLI
49	DM 274.621	400	600	210	1,2	1,2	2	350	575	YOK	ÇEYREK DÖNÜŞLÜ DOUBLE-BIT KİLİT	2	2	CAMLI
50	DM 274.630	400	600	300	1,2	1,2	2	350	575	YOK	ÇEYREK DÖNÜŞLÜ DOUBLE-BIT KİLİT	2	2	CAMLI
51	DM 275.621	500	600	210	1,2	1,5	2	450	575	YOK	ÇEYREK DÖNÜŞLÜ DOUBLE-BIT KİLİT	2	2	CAMLI
52	DM 275.630	500	600	300	1,2	1,5	2	450	575	YOK	ÇEYREK DÖNÜŞLÜ DOUBLE-BIT KİLİT	2	2	CAMLI
53	DM 275.721	500	700	210	1,2	1,5	2	450	675	YOK	ÇEYREK DÖNÜŞLÜ DOUBLE-BIT KİLİT	2	2	CAMLI
54	DM 275.726	500	700	260	1,2	1,5	2	450	675	YOK	ÇEYREK DÖNÜŞLÜ DOUBLE-BIT KİLİT	2	2	CAMLI
55	DM 276.621	600	600	210	1,2	1,5	2	550	575	YOK	ÇEYREK DÖNÜŞLÜ DOUBLE-BIT KİLİT	2	2	CAMLI
56	DM 276.630	600	600	300	1,2	1,5	2	550	575	YOK	ÇEYREK DÖNÜŞLÜ DOUBLE-BIT KİLİT	2	2	CAMLI
57	DM 276.821	600	800	210	1,5	2	2	550	775	YOK	ÇEYREK DÖNÜŞLÜ DOUBLE-BIT KİLİT	2	2	CAMLI
58	DM 276.830	600	800	300	1,5	2	2	550	775	YOK	ÇEYREK DÖNÜŞLÜ DOUBLE-BIT KİLİT	2	2	CAMLI
59	DM 276.126	600	1000	260	1,5	2	2	550	975	YOK	ÇEYREK DÖNÜŞLÜ DOUBLE-BIT KİLİT	2	3	CAMLI
60	DM 276.130	600	1000	300	1,5	2	2	550	975	YOK	ÇEYREK DÖNÜŞLÜ DOUBLE-BIT KİLİT	2	3	CAMLI
61	DM 276.123	600	1200	300	1,5	2	2	550	1175	YOK	3 NOKTALI DOUBLE-BIT KİLİT	1	3	CAMLI
62	DM 278.130	800	1000	300	1,5	2	2	750	975	YOK	ÇEYREK DÖNÜŞLÜ DOUBLE-BIT KİLİT	2	3	CAMLI
63	DM 278.123	800	1200	300	1,5	2	2	750	1175	YOK	3 NOKTALI DOUBLE-BIT KİLİT	1	3	CAMLI

Malzeme	Gövde 1.2mm-1,5mm DKP Sac, Ön Kapı 1,2mm-1,5mm-2mm DKP Sac
	Montaj Plakası 2mm Galvaniz Sac
Yüzey İşlem	Demir-fosfat + elektrostatik toz boya RAL 7035
IK 10	Tek Kapılı
IK 8	Camlı Kapı
IP Sınıfı	IEC ve EN 60529 IP 66
NEMA Sınıfı	Nema 4
Standartlar	IEC 62208 (Pano Standartları)
Korozyon Sınıfı	TS EN ISO 12944-2' ye göre C3
Garanti	KYT-72

DM MEDIUM SERIES

DM MEDIUM SERİSİ

DM MEDIUM SERİSİ						
SIRA	Ref.No:	PANO ÖLÇÜLERİ G x Y x D (mm)			**MONTAJ PLAKASI	***DUVAR TUTUCU
		*GENİŞLİK (mm)	*YÜKSEKLİK (mm)	*DERİNLİK (mm)		
1	DM 252.315	250	300	150	943.323	971.300
2	DM 252.321	250	300	210	943.323	971.300
3	DM 252.351	250	350	150	943.353	971.300
4	DM 253.315	300	300	150	943.333	971.300
5	DM 253.321	300	300	210	943.333	971.300
6	DM 253.415	300	400	150	943.334	971.300
7	DM 253.421	300	400	210	943.334	971.300
8	DM 253.521	300	500	210	943.335	971.300
9	DM 254.315	400	300	150	943.343	971.300
10	DM 254.421	400	400	210	943.344	971.300
11	DM 254.515	400	500	150	943.345	971.300
12	DM 254.521	400	500	210	943.345	971.300
13	DM 254.526	400	500	260	943.345	971.300
14	DM 254.530	400	500	300	943.345	971.300
15	DM 254.615	400	600	150	943.346	971.300
16	DM 254.621	400	600	210	943.346	971.300
17	DM 254.626	400	600	260	943.346	971.300
18	DM 254.630	400	600	300	943.346	971.300
19	DM 254.830	400	800	300	94.338	971.300
20	DM 255.421	500	400	210	943.354	971.300
21	DM 255.521	500	500	210	943.355	971.300
22	DM 255.530	500	500	300	943.355	971.300
23	DM 255.615	500	600	150	943.356	971.300
24	DM 255.621	500	600	210	943.356	971.300
25	DM 255.626	500	600	260	943.356	971.300
26	DM 255.630	500	600	300	943.356	971.300
27	DM 255.721	500	700	210	943.357	971.300
28	DM 255.726	500	700	260	943.357	971.300
29	DM 256.421	600	400	210	943.364	971.300
30	DM 256.621	600	600	210	943.366	971.300
31	DM 256.630	600	600	300	943.366	971.300
32	DM 256.640	600	600	400	943.366	971.300
33	DM 256.821	600	800	210	943.368	971.300
34	DM 256.826	600	800	260	943.368	971.300
35	DM 256.830	600	800	300	943.368	971.300
36	DM 256.840	600	800	400	943.368	971.300
37	DM 256.126	600	1000	260	943.361	971.300
38	DM 256.130	600	1000	300	943.361	971.300
39	DM 256.123	600	1200	300	943.362	971.300
40	DM 258.630	800	600	300	943.386	971.300
41	DM 258.821	800	800	210	943.388	971.300
42	DM 258.830	800	800	300	943.388	971.300
43	DM 258.832	800	800	300	943.388	971.300
44	DM 258.126	800	1000	260	943.381	971.300
45	DM 258.130	800	1000	300	943.381	971.300
46	DM 258.123	800	1200	300	943.382	971.300










BİLGİ

- * Orjinal boyutlar için lütfen (2D çizim) elektronik kopyalarını kontrol edin.
- ** Opsiyon üründür, paket içeriği 1 adet Montaj plakası ve civata paketi olarak gelmektedir.
- *** Pano başına 1 adet sipariş edilmelidir, paket içeriğinde 4 adet duvar tutucu kulak, sızdırmazlık contası ve bağlantı ekipmanları mevcuttur.

DM MEDIUM SERIES

DM MEDIUM SERİSİ

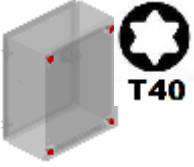
DM MEDIUM ÜRÜN TABLOSU

Ref.No:	A	B	C	D	E	F	G	H	I
	Kullanım Kılavuzu User Manuel	Ø16x8 Conta Gasket	M8x16	M5	M6	Etiket Sticker	M8x15	M8	M8
									
DM 252.315	1	8	4	2	2	3	1	1	5
DM 252.321	1	8	4	2	2	3	1	1	5
DM 252.351	1	8	4	2	2	3	1	1	5
DM 253.315	1	8	4	2	2	3	1	1	5
DM 253.321	1	8	4	2	2	3	1	1	5
DM 253.415	1	8	4	2	2	3	1	1	5
DM 253.421	1	8	4	2	2	3	1	1	5
DM 253.521	1	8	4	2	2	3	1	1	5
DM 254.315	1	8	4	2	2	3	1	1	5
DM 254.421	1	8	4	2	2	3	1	1	5
DM 254.515	1	8	4	2	2	3	1	1	5
DM 254.521	1	8	4	2	2	3	1	1	5
DM 254.526	1	8	4	2	2	3	1	1	5
DM 254.530	1	8	4	2	2	3	1	1	5
DM 254.615	1	8	4	2	2	3	1	1	5
DM 254.621	1	8	4	2	2	3	1	1	5
DM 254.626	1	8	4	2	2	3	1	1	5
DM 254.630	1	8	4	2	2	3	1	1	5
DM 254.830	1	8	4	2	2	3	1	1	5
DM 255.421	1	8	4	2	2	3	1	1	5
DM 255.521	1	8	4	2	2	3	1	1	5
DM 255.530	1	8	4	2	2	3	1	1	5
DM 255.615	1	8	4	2	2	3	1	1	5
DM 255.621	1	8	4	2	2	3	1	1	5
DM 255.626	1	8	4	2	2	3	1	1	5
DM 255.630	1	8	4	2	2	3	1	1	5
DM 255.721	1	8	4	2	2	3	1	1	5
DM 255.726	1	8	4	2	2	3	1	1	5
DM 256.421	1	8	4	2	2	3	1	1	5
DM 256.621	1	8	4	2	2	3	1	1	5
DM 256.630	1	8	4	2	2	3	1	1	5
DM 256.640	1	8	4	2	2	3	1	1	5
DM 256.821	1	8	4	2	2	3	1	1	5
DM 256.826	1	8	4	2	2	3	1	1	5
DM 256.830	1	8	4	2	2	3	1	1	5
DM 256.840	1	8	4	2	2	3	1	1	5
DM 256.126	1	8	4	2	2	3	1	1	5
DM 256.130	1	8	4	2	2	3	1	1	5
DM 256.123	1	8	4	2	2	3	1	1	5
DM 258.630	1	8	4	2	2	3	1	1	5
DM 258.632	1	8	4	4	4	5	1	1	5
DM 258.821	1	8	4	2	2	3	1	1	5
DM 258.830	1	8	4	2	2	3	1	1	5
DM 258.126	1	8	4	2	2	3	1	1	5
DM 258.130	1	8	4	2	2	3	1	1	5
DM 258.123	1	8	4	2	2	3	1	1	5
DM 274.521	1	8	4	2	2	3	1	1	5
DM 274.530	1	8	4	2	2	3	1	1	5
DM 274.621	1	8	4	2	2	3	1	1	5
DM 274.630	1	8	4	2	2	3	1	1	5
DM 275.621	1	8	4	2	2	3	1	1	5
DM 275.630	1	8	4	2	2	3	1	1	5
DM 275.721	1	8	4	2	2	3	1	1	5
DM 275.726	1	8	4	2	2	3	1	1	5
DM 276.621	1	8	4	2	2	3	1	1	5
DM 276.630	1	8	4	2	2	3	1	1	5
DM 276.821	1	8	4	2	2	3	1	1	5
DM 276.830	1	8	4	2	2	3	1	1	5
DM 276.126	1	8	4	2	2	3	1	1	5
DM 276.130	1	8	4	2	2	3	1	1	5
DM 276.123	1	8	4	2	2	3	1	1	5
DM 278.130	1	8	4	2	2	3	1	1	5
DM 278.123	1	8	4	2	2	3	1	1	5

DM MEDIUM SERIES








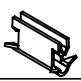



DM MEDIUM SERİSİ

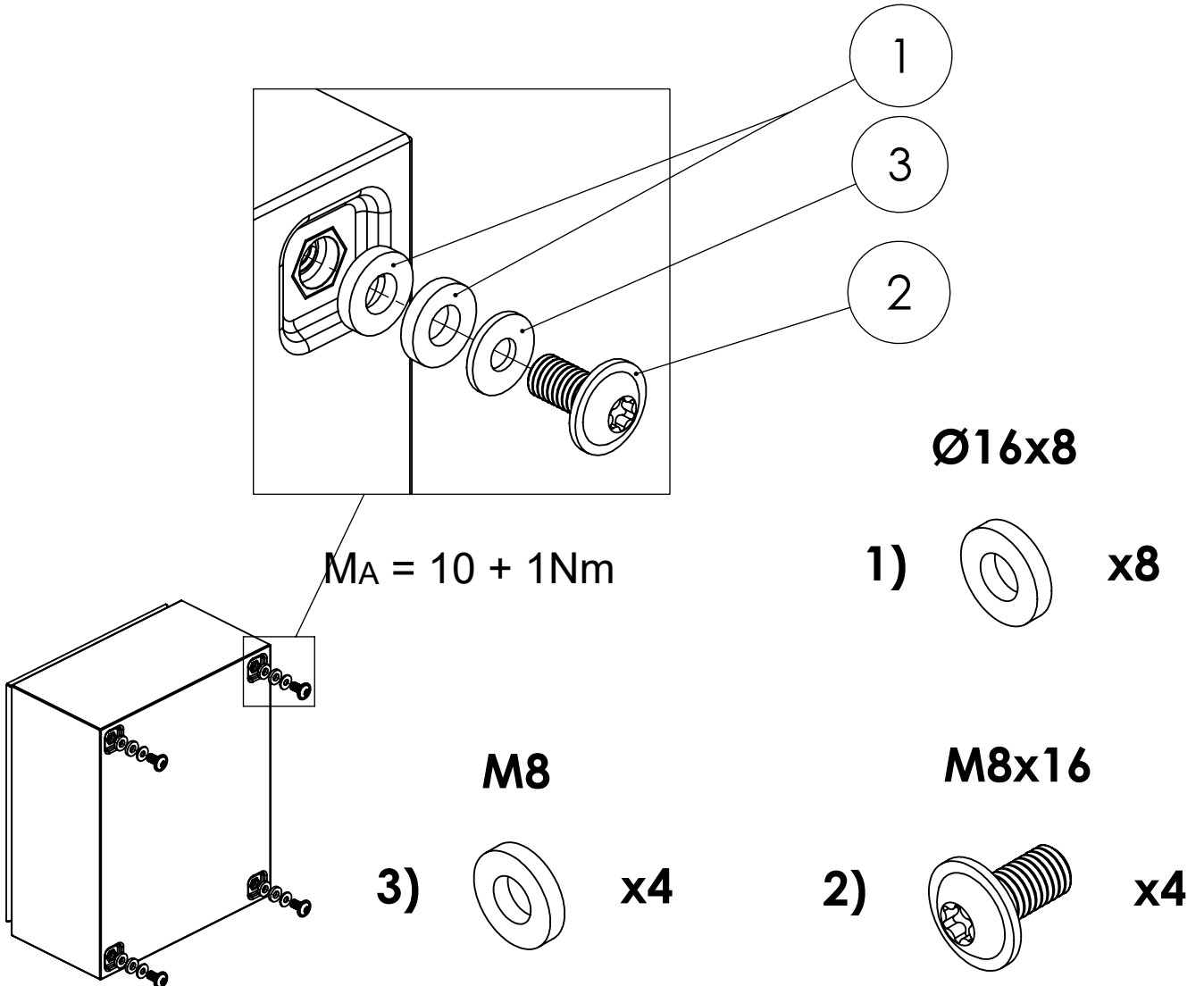
DM MEDIUM SERİSİ						
SIRA	Ref.No:	KORUMA DERECEŚİ		SIRA	Ref.No:	HEAT LOSS (W) ($\Delta T=20K$)
		IP	IK			ISI KAYBI
1	DM 252.315	66	10	1	DM 252.315	15,8
2	DM 252.321	66	10	2	DM 252.321	18,3
3	DM 252.351	66	10	3	DM 252.351	16,7
4	DM 253.315	66	10	4	DM 253.315	17,3
5	DM 253.321	66	10	5	DM 253.321	21,1
6	DM 253.415	66	10	6	DM 253.415	20,6
7	DM 253.421	66	10	7	DM 253.421	25,3
8	DM 253.521	66	10	8	DM 253.521	28,9
9	DM 254.315	66	10	9	DM 254.315	22,1
10	DM 254.421	66	10	10	DM 254.421	30,4
11	DM 254.515	66	10	11	DM 254.515	30,0
12	DM 254.521	66	10	12	DM 254.521	36,1
13	DM 254.526	66	10	13	DM 254.526	39,3
14	DM 254.530	66	10	14	DM 254.530	44,4
15	DM 254.615	66	10	15	DM 254.615	34,1
16	DM 254.621	66	10	16	DM 254.621	39,8
17	DM 254.626	66	10	17	DM 254.626	45,1
18	DM 254.630	66	10	18	DM 254.630	49,0
19	DM 254.830	66	10	19	DM 254.830	59,5
20	DM 255.421	66	10	20	DM 255.421	37,1
21	DM 255.521	66	10	21	DM 255.521	41,9
22	DM 255.530	66	10	22	DM 255.530	51,2
23	DM 255.615	66	10	23	DM 255.615	41,0
24	DM 255.621	66	10	24	DM 255.621	48,4
25	DM 255.626	66	10	25	DM 255.626	53,4
26	DM 255.630	66	10	26	DM 255.630	57,1
27	DM 255.721	66	10	27	DM 255.721	53,1
28	DM 255.726	66	10	28	DM 255.726	58,5
29	DM 256.421	66	10	29	DM 256.421	43,2
30	DM 256.621	66	10	30	DM 256.621	55,6
31	DM 256.630	66	10	31	DM 256.630	65,9
32	DM 256.640	66	10	32	DM 256.640	65,9
33	DM 256.821	66	10	33	DM 256.821	66,2
34	DM 256.826	66	10	34	DM 256.826	58,0
35	DM 256.830	66	10	35	DM 256.830	63,9
36	DM 256.840	66	10	36	DM 256.840	82,4
37	DM 256.126	66	10	37	DM 256.126	71,0
38	DM 256.130	66	10	38	DM 256.130	77,1
39	DM 256.123	66	10	39	DM 256.123	91,6
40	DM 258.630	66	10	40	DM 258.630	66,7
41	DM 258.632	55	10	41	DM 258.632	66,7
42	DM 258.821	66	10	42	DM 258.821	68,7
43	DM 258.830	66	10	43	DM 258.830	87,3
44	DM 258.126	66	10	44	DM 258.126	96,1
45	DM 258.130	66	10	45	DM 258.130	105,9
46	DM 258.123	66	10	46	DM 258.123	119,5



GASKET AND BOLT ASSEMBLY CONTA VE CIVATA MONTAJ

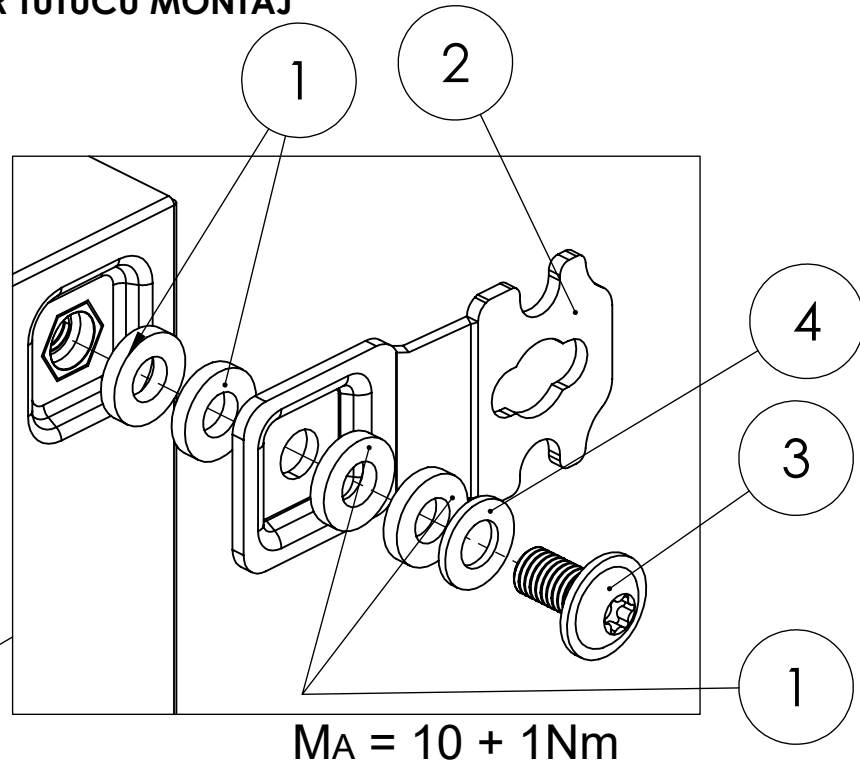
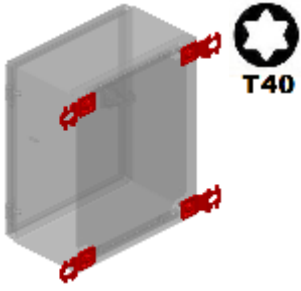
INNER PACKAGE CONTENT / İÇ PAKET İÇERİĞİ

PCS.			PCS.		
	M8x16	4		M8	1
	Ø16x8mm	8		M8	5
	M6	2		Sticker/Etiket	3
	M6	2		Grounding Tab	S - 1 / D - 2
	M8x15	1		Double bit Key	1
	4.8x9.5	**			

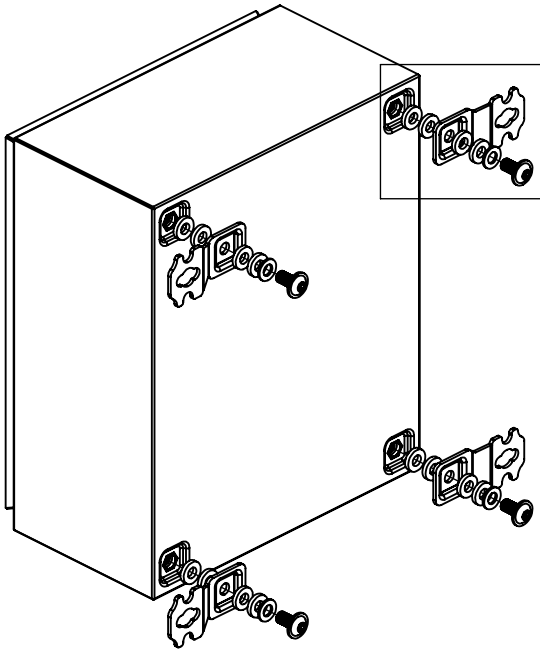


** : The number of parts changes according to the enclosures size.

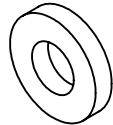
WALL BRACKET MOUNTING DUVAR TUTUCU MONTAJ



$M_A = 10 + 1Nm$

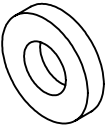


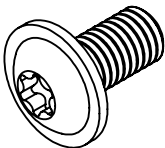
$\varnothing 16 \times 8$

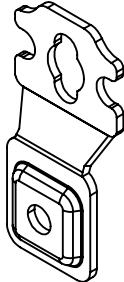
1)  x16

M8

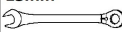
M8x16

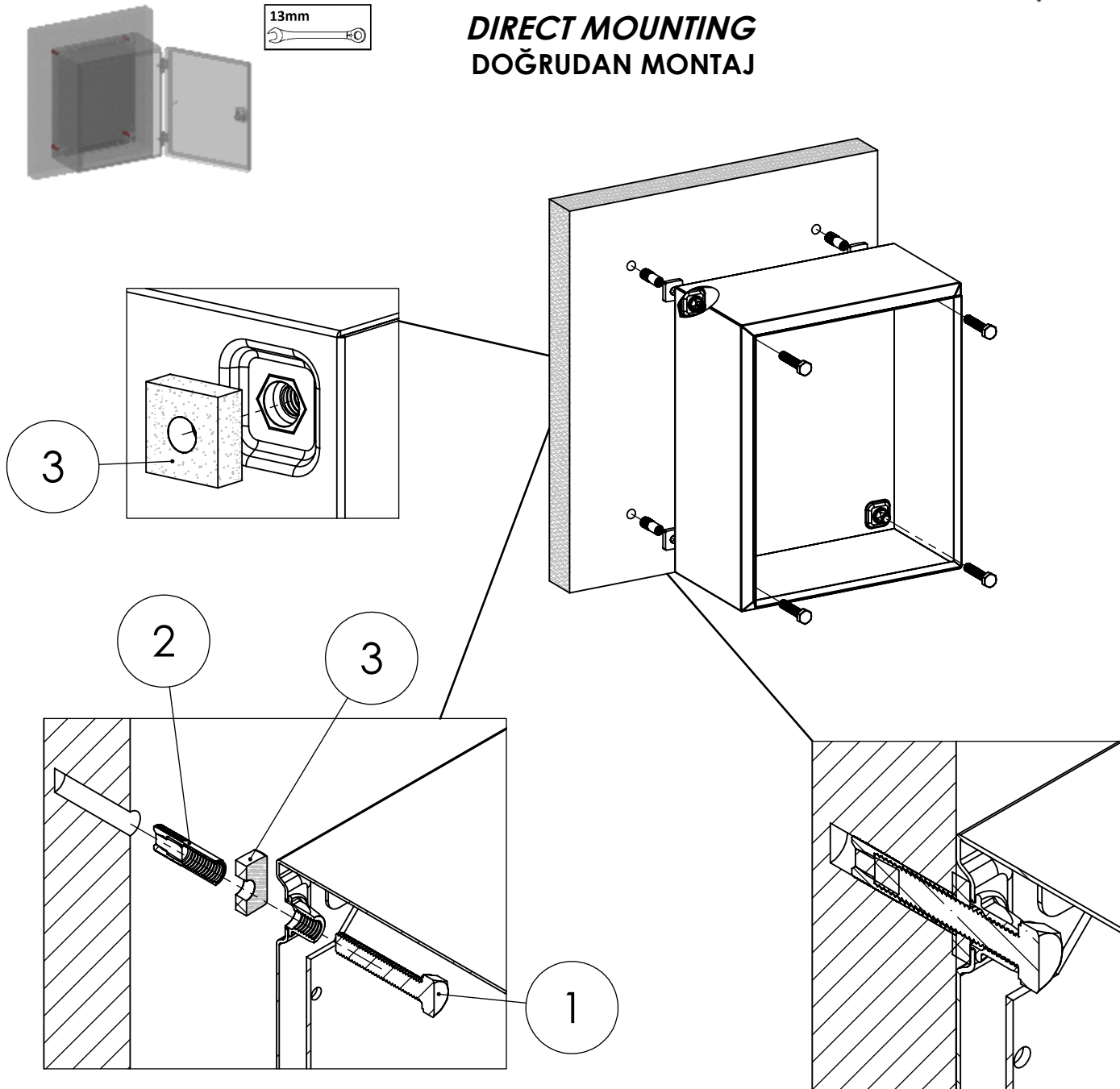
4)  x4

3)  x4

2)  x4

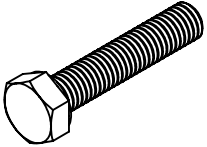
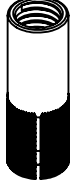
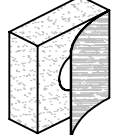
DIRECT MOUNTING
DOĞRUDAN MONTAJ

13mm


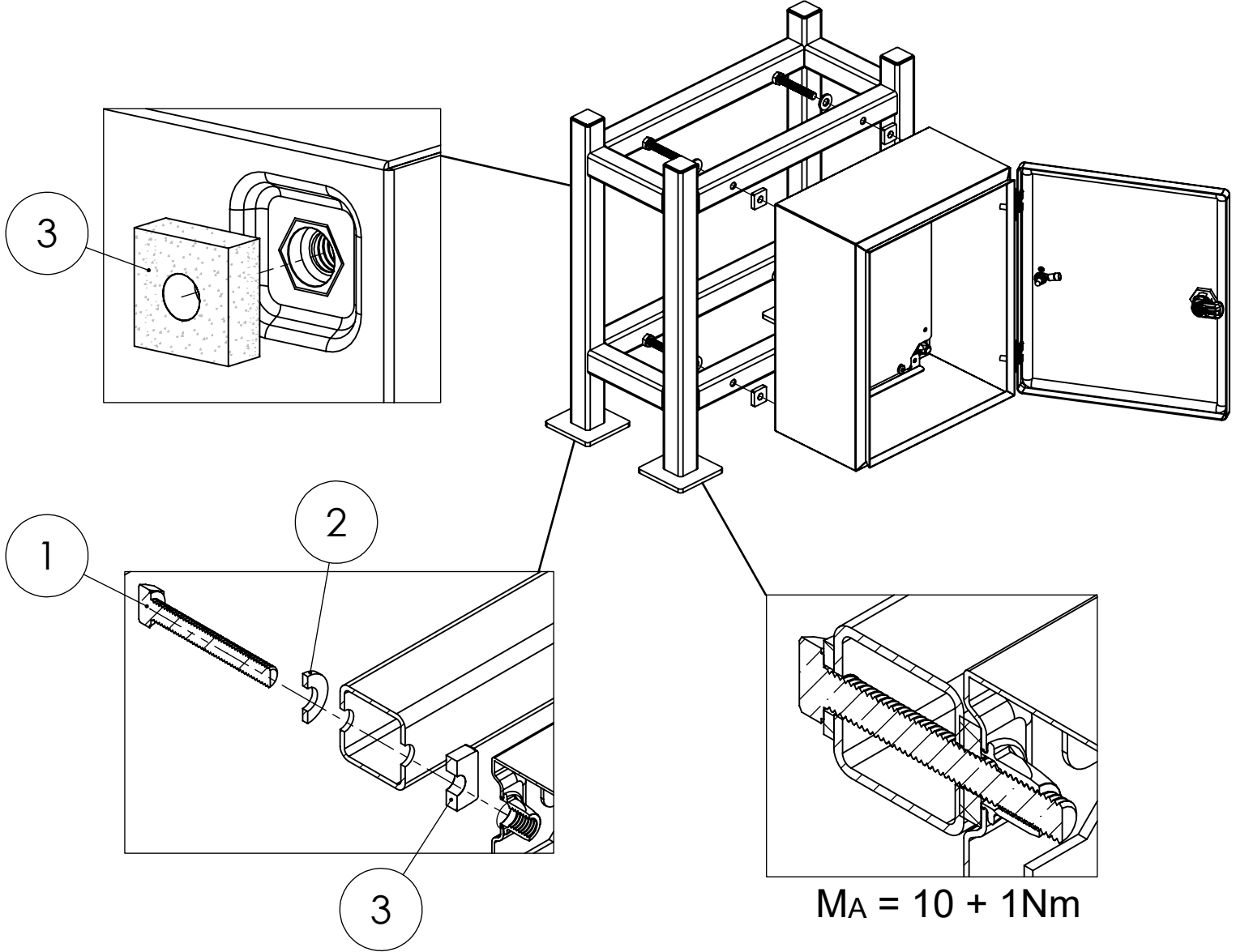
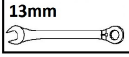
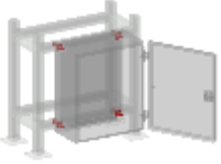


$MA = 10 + 1Nm$

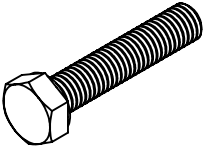
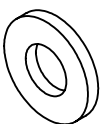
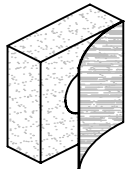
i **RECOMMENDED PARTS**

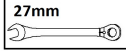
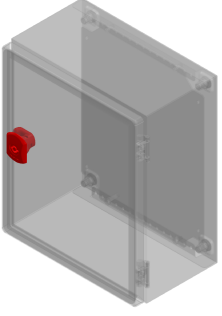
- | | | |
|--|---|--|
| <p>M8</p> <p>1)  x4</p> | <p>M8</p> <p>2)  x4</p> <p>STEEL DOWEL</p> | <p>3)  x4</p> <p>971.400 Adhesive gasket</p> |
|--|---|--|

ASSEMBLY TO PROFILE CONSTRUCTION
PROFİL YAPIYA MONTAJ

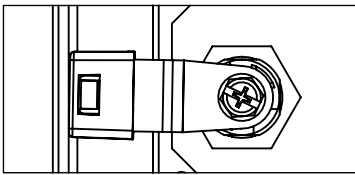
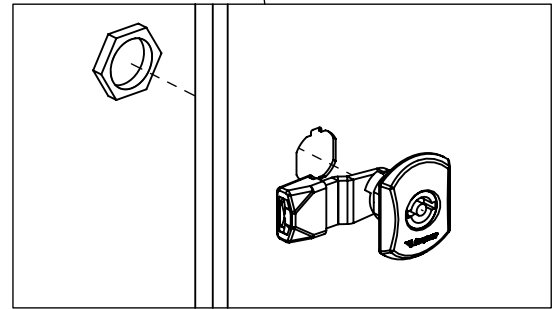
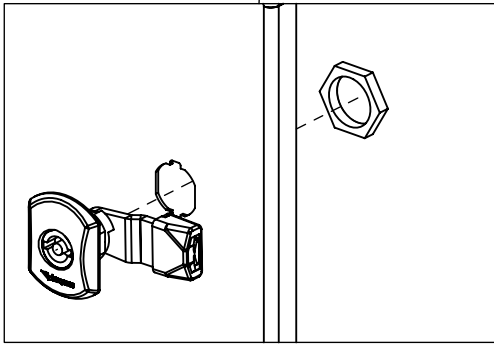
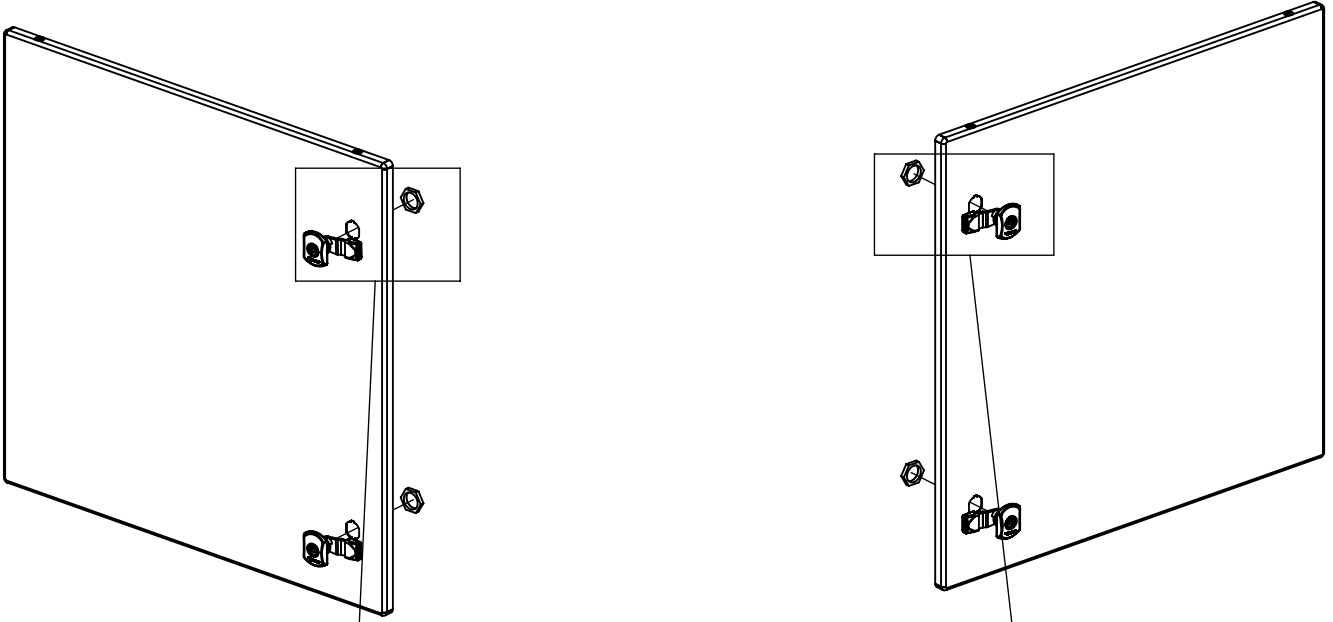
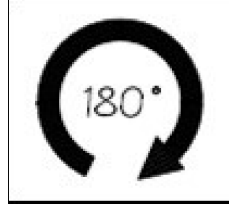


i **RECOMMENDED PARTS**

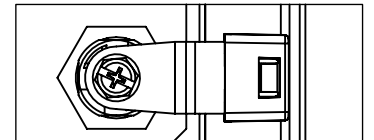
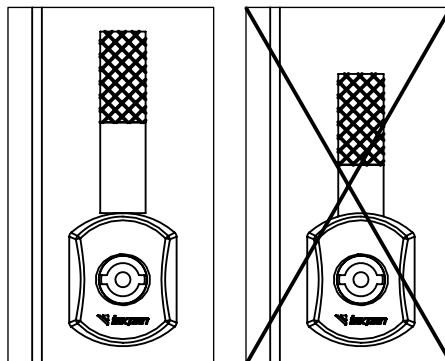
M8	M8	
1) 	2) 	3) 
x4	x4	x4
		971.400 Adhesive gasket



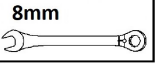
CHANGING THE DIRECTION OF THE LOCK KİLİT YÖN DEĞİŞTİRME



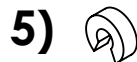
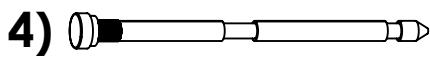
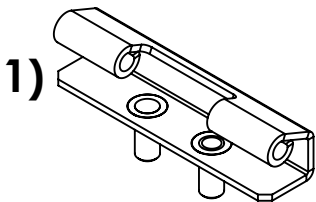
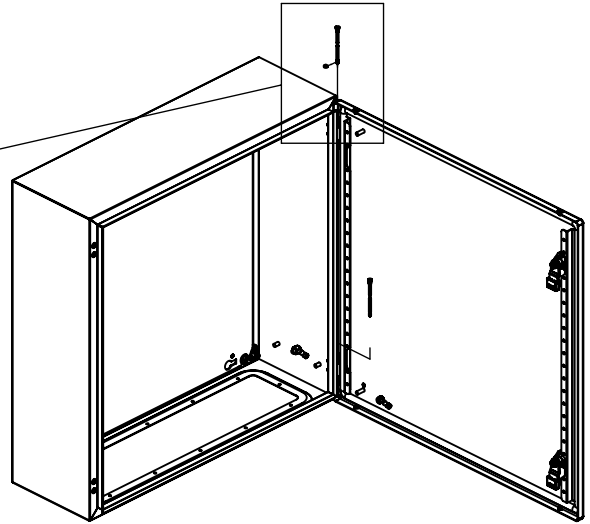
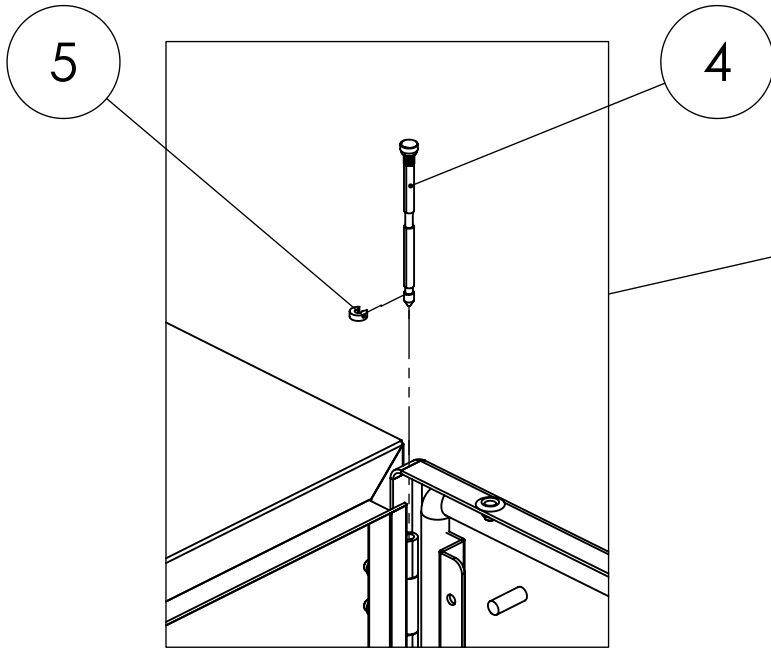
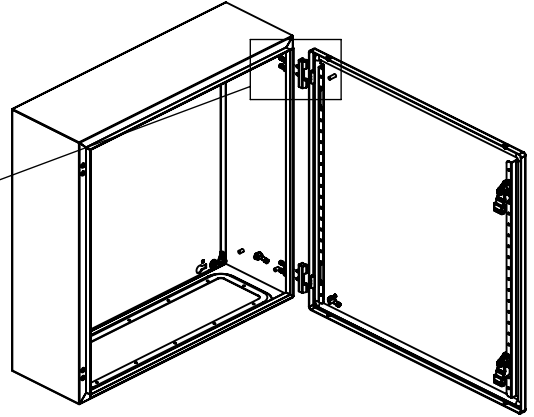
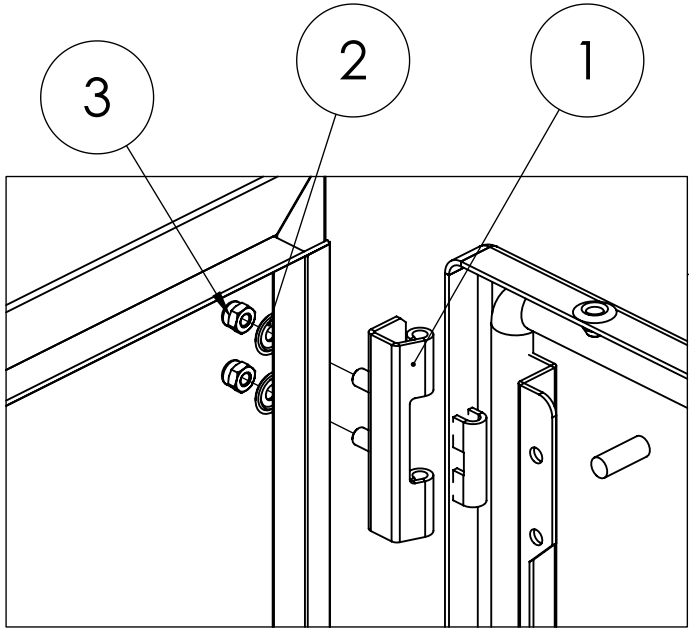
**REAR VIEW OF THE LOCK
KİLİT ARKA GÖRÜNÜM**



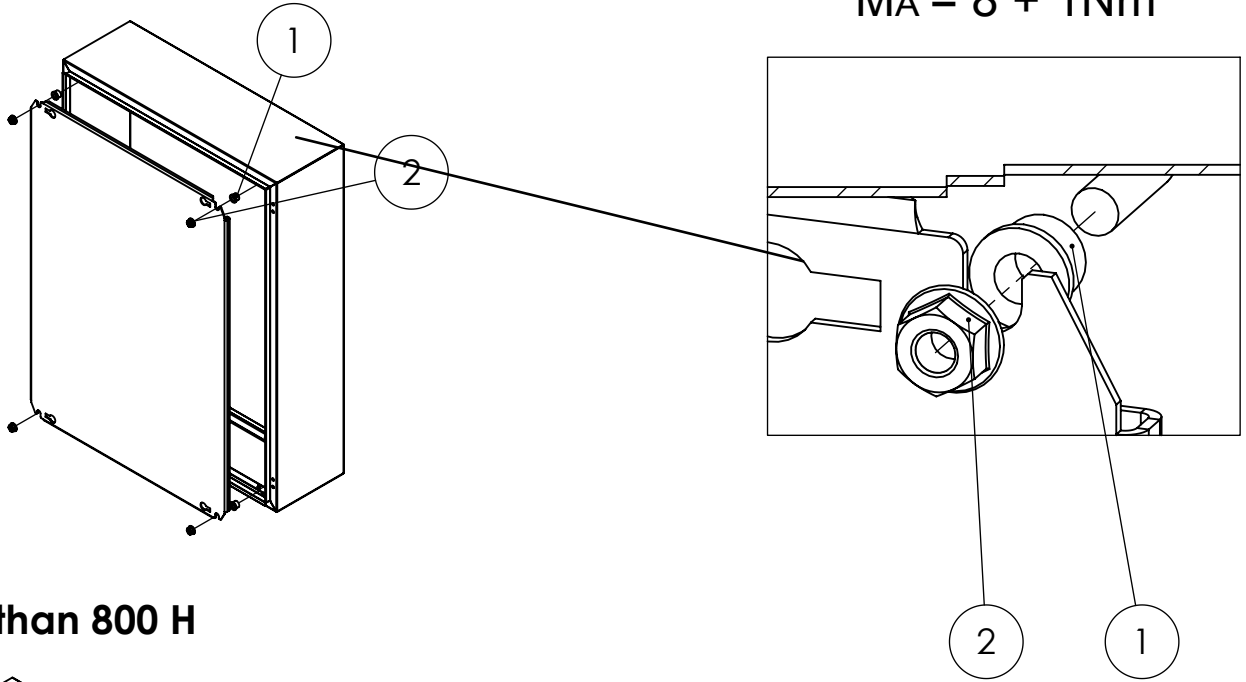
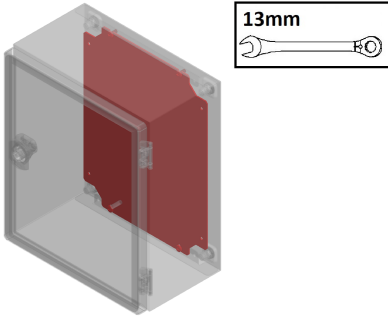
**REAR VIEW OF THE LOCK
KİLİT ARKA GÖRÜNÜM**



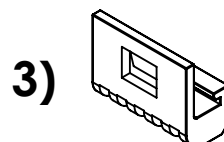
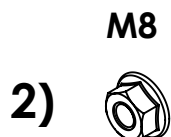
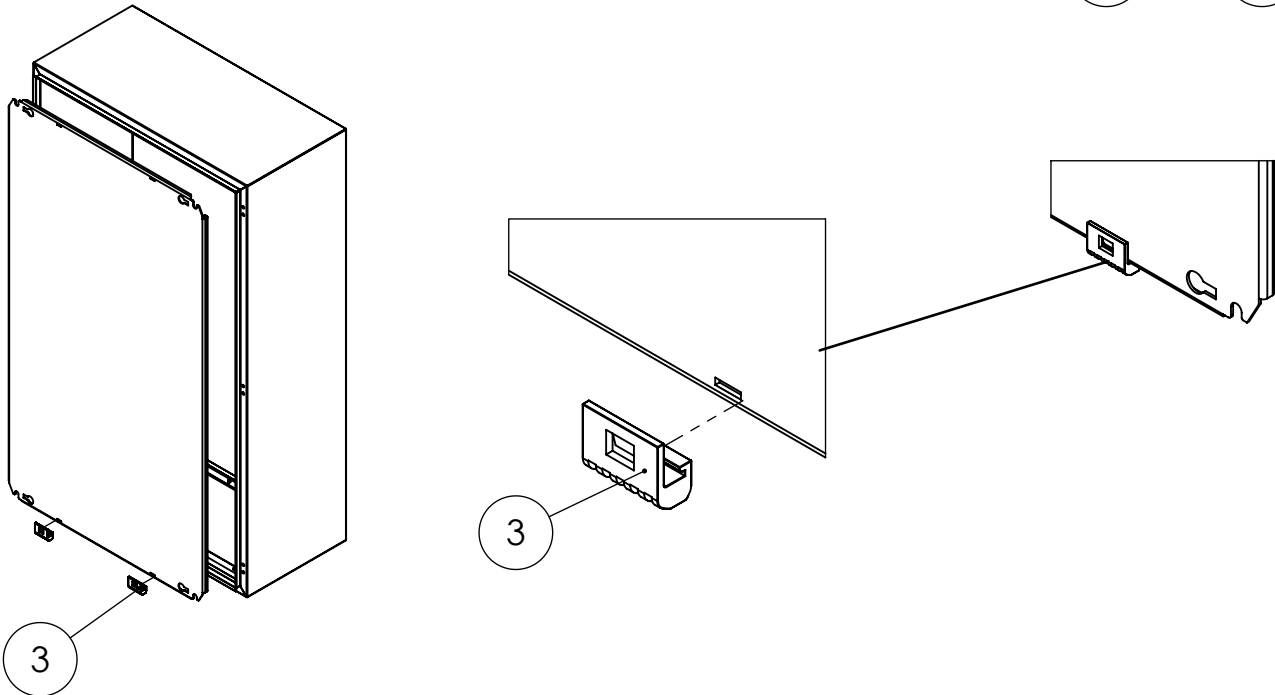
HINGE ASSEMBLY MENTEŞE MONTAJ



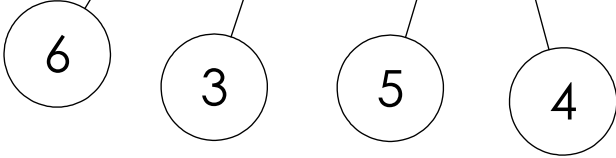
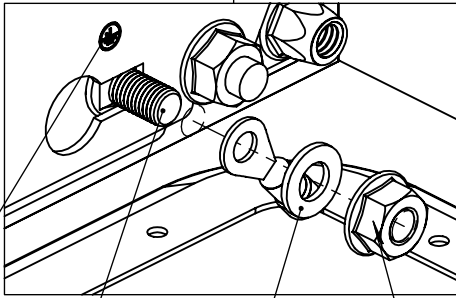
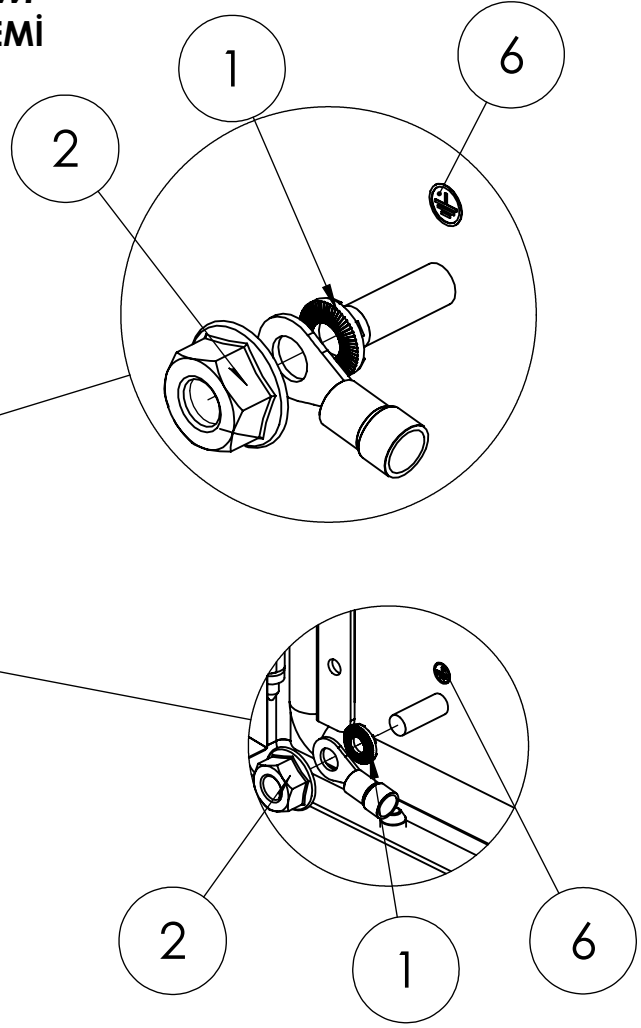
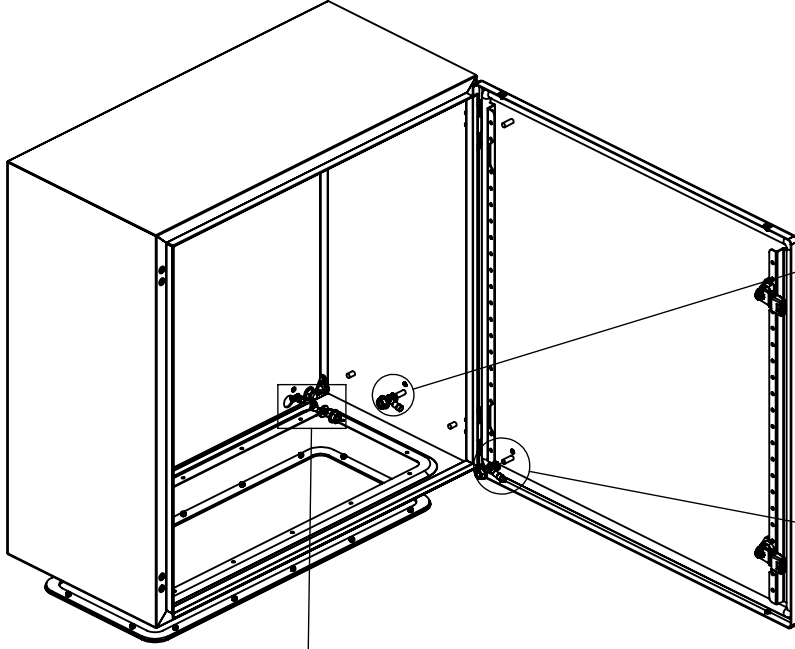
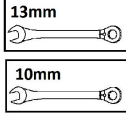
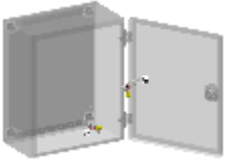
MOUNTING PLATE ASSEMBLY
MONTAJ PLAKASI MONTAJ



Higher than 800 H



**EARTHING SYSTEM
TOPRAKLAMA SİSTEMİ**

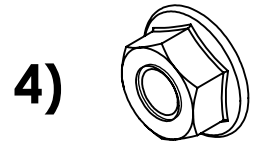
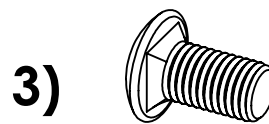
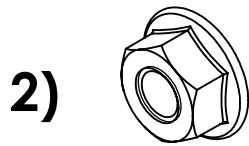
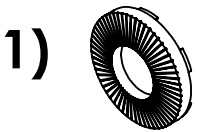


M6

M6

M8x15

M8

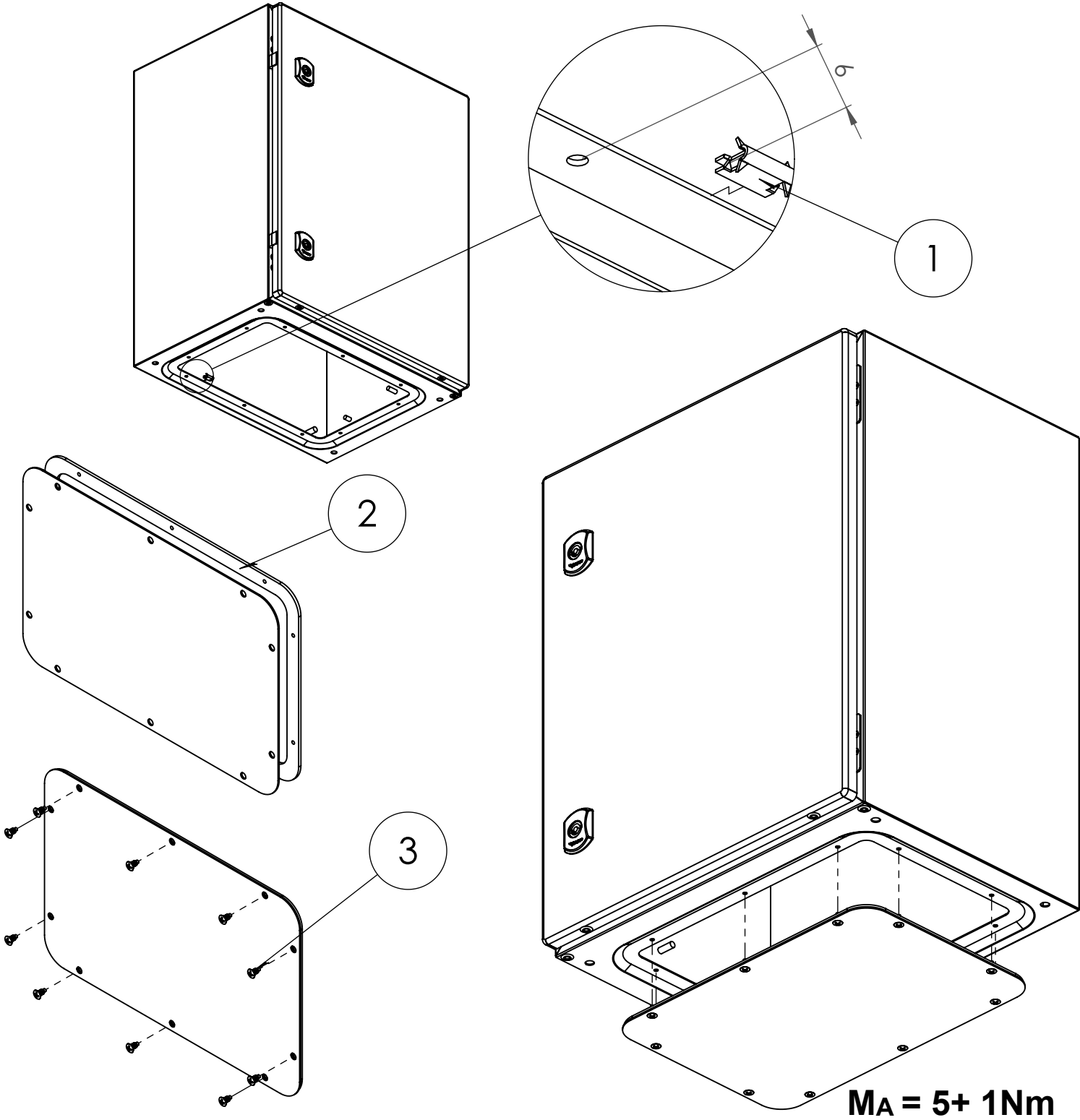


M8





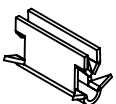
GLAND PLATE ASSEMBLY ALT KAPAK MONTAJ



MA = 5+ 1Nm

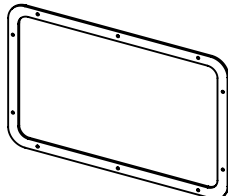
Grounding Tab

1)



Gasket

2)



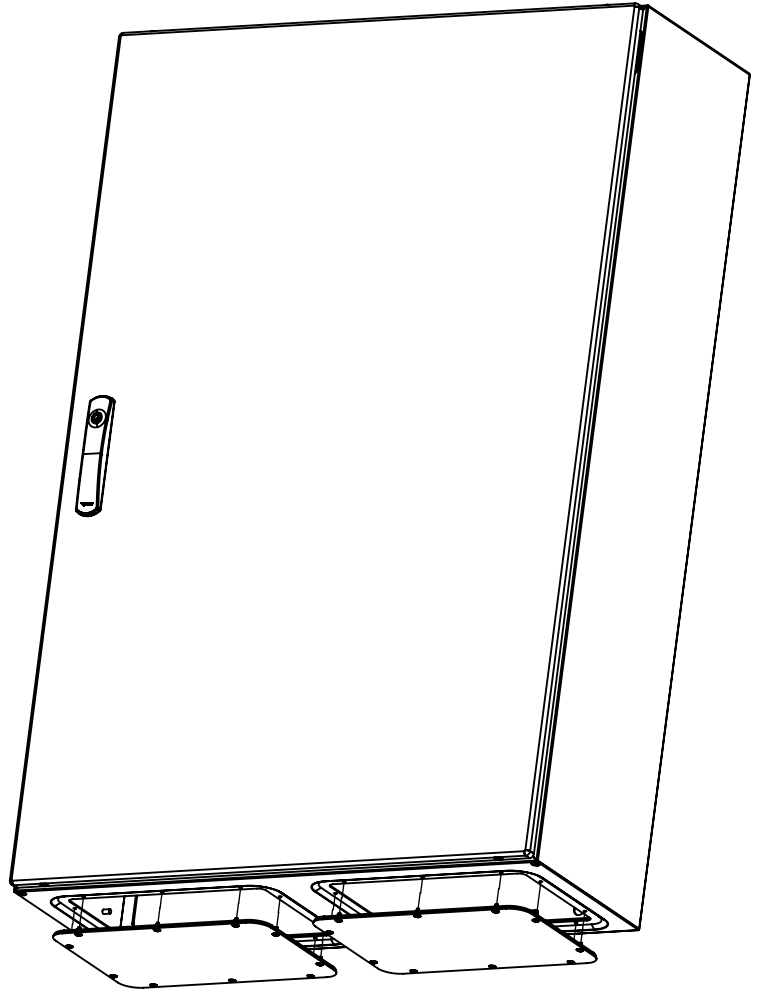
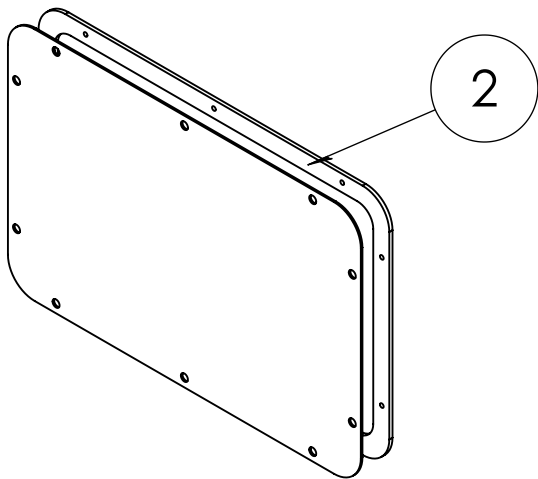
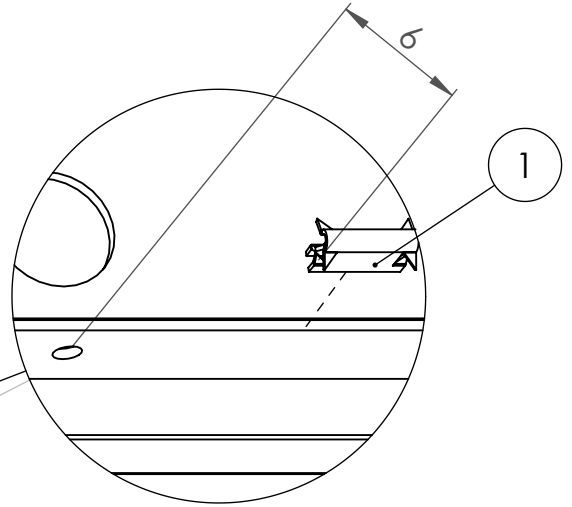
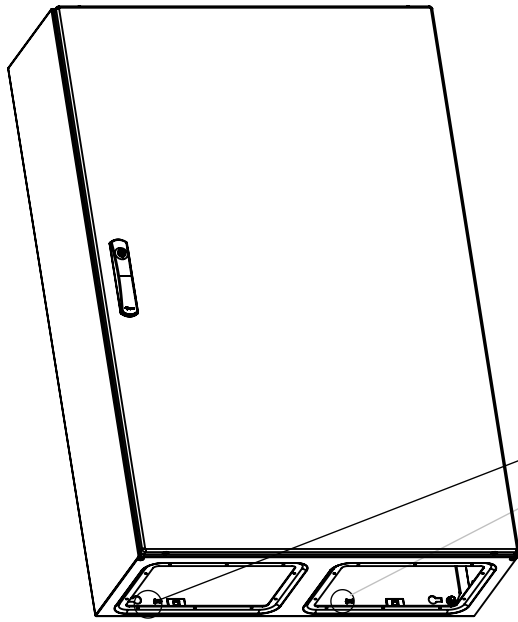
M4.8x9.5

3)





GLAND PLATE ASSEMBLY ALT KAPAK MONTAJ

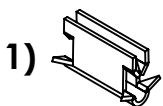


MA = 5+ 1Nm

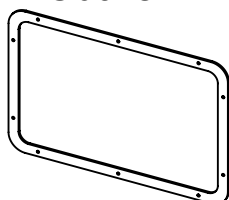
Grounding Tab

Gasket

M4.8x9.5



2)



3)



NOTE :



TEKPAN INDUSTRIAL ENCLOSURES & CABINETS

Kemalpasa O.S.B 17.Sk.No:8 Ulucak

Kemalpaşa / Izmir - TURKEY

Phone : +90 232 877 18 77 - 877 13 46 / 47

Fax : +90 232 877 13 48

E-mail : info@tekpan.com.tr

Export Dept. : export@tekpan.com.tr