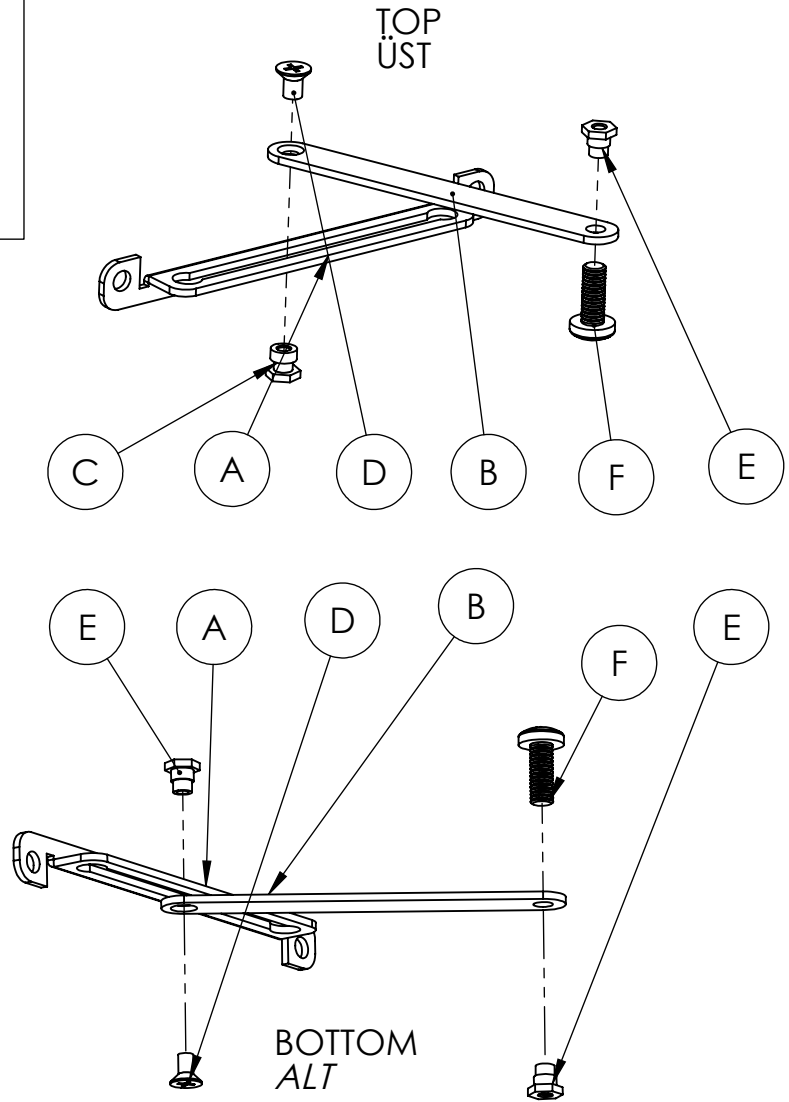
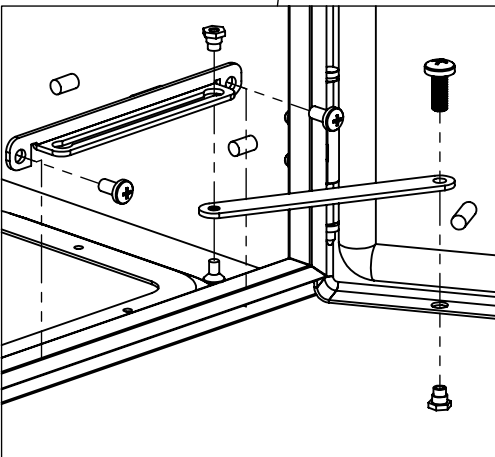
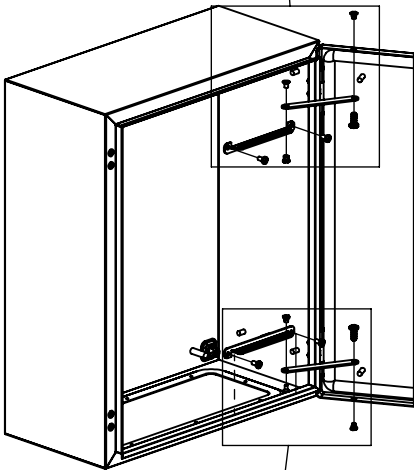
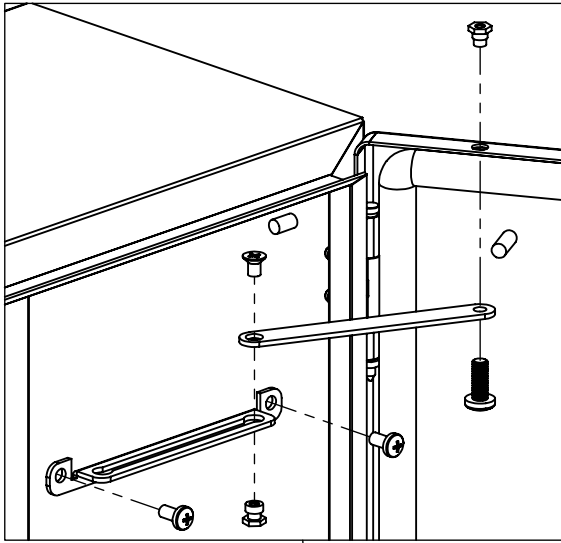





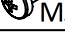



**DM**  
**DOOR STOPER /**  
**KAPI DURDURUCU**
**973.142**

**PART LIST**

| REF. | Pic.  | REF. | Pic. |  |   |
|------|---|------|------|--|---|
| A    |  | 1    | E    |  | 2 |
| B    |  | 1    | F    |  | 1 |
| C    |  | 1    | G    |  | 2 |
| D    |  | 1    |      |  |   |

**DM**  
**DOOR STOPER /**  
**KAPI DURDURUCU**

973.142

