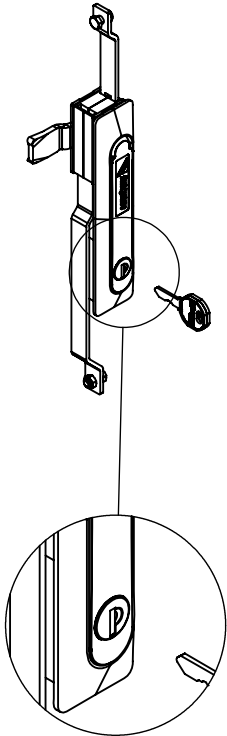
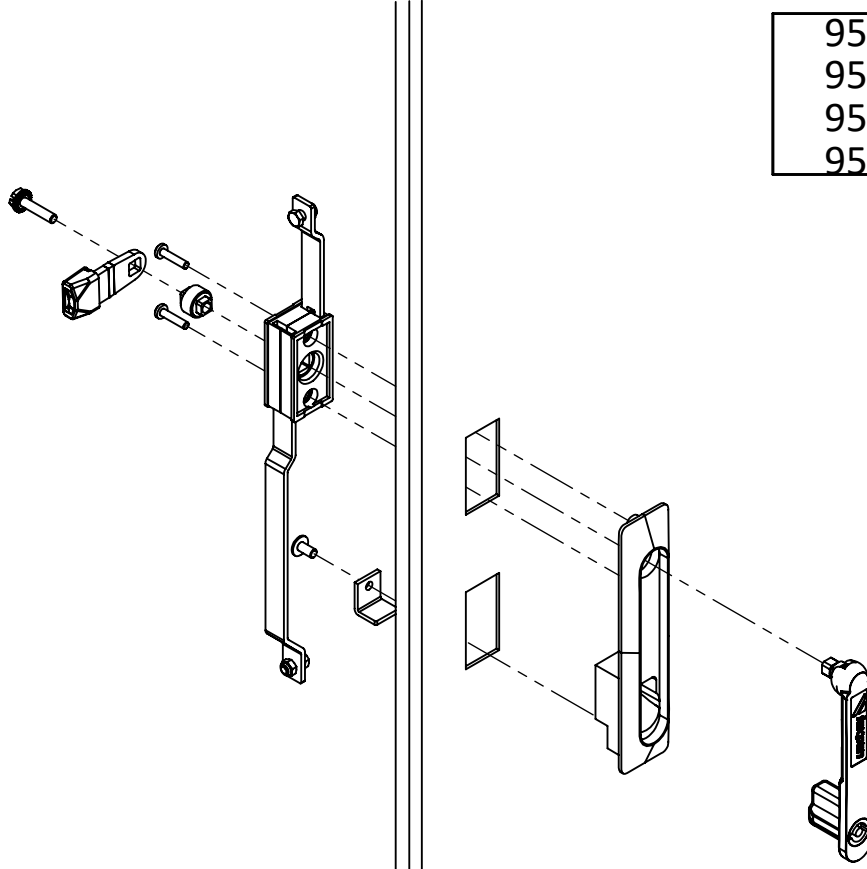
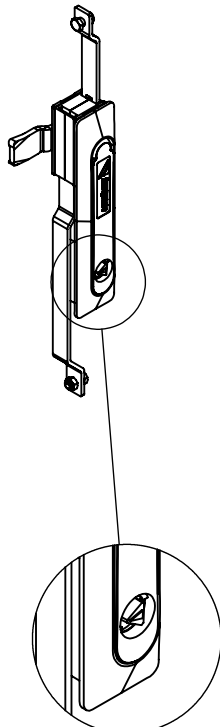


**HANDLE LOCK
KOLLU KİLİT**

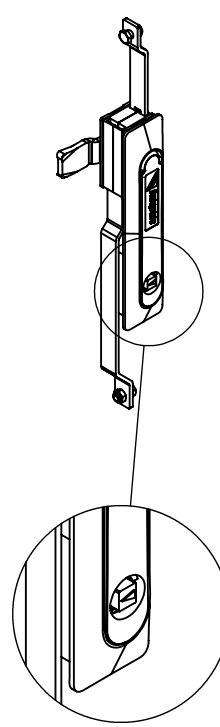
950.200
950.201
950.202
950.203



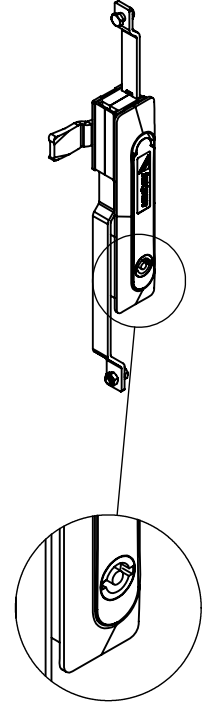
**CYLINDER 5333
SİLİNDİR 5333
950.200**



**9 mm. TRANGLE
9 mm. ÜÇGEN
950.201**



**8 mm. SQURE
8 mm. KARE
950.202**



**5 mm.DOUBLEBIT
5 mm.DOUBLEBIT
950.203**