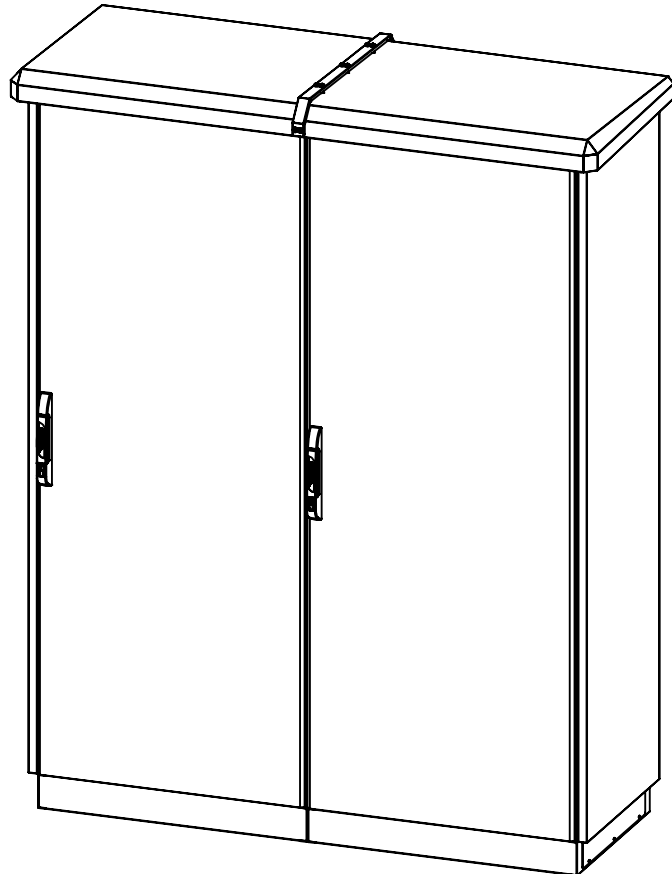
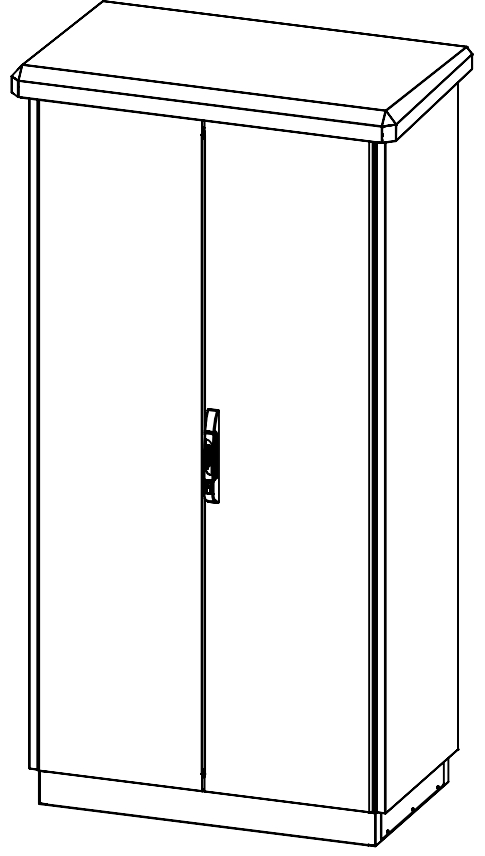
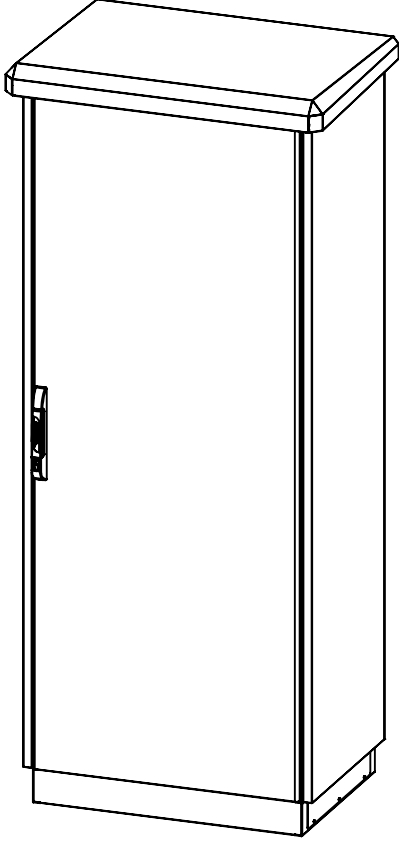
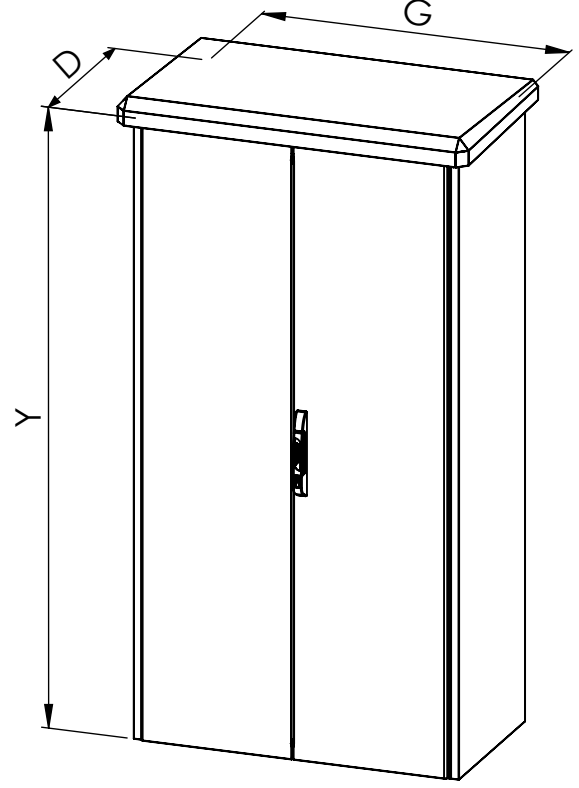
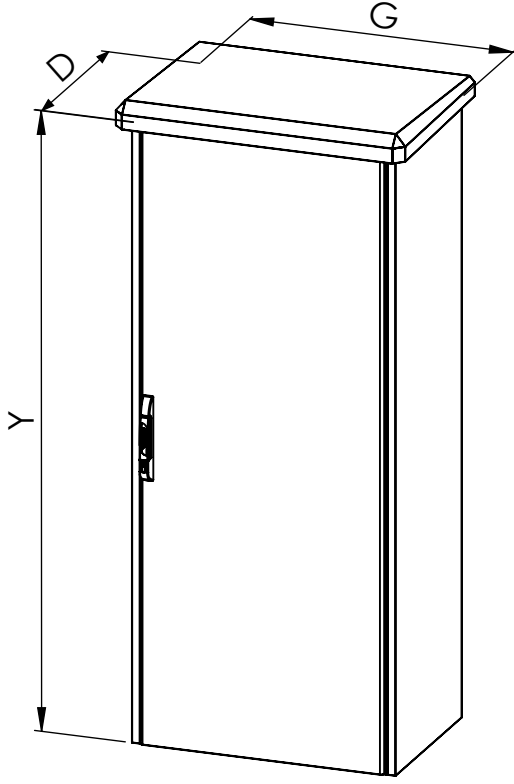


NEO HC MODÜLER SERİSİ
NEO HC MODULAR SERIES

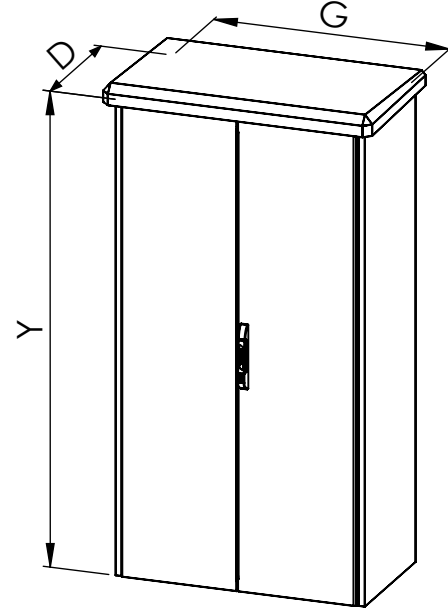
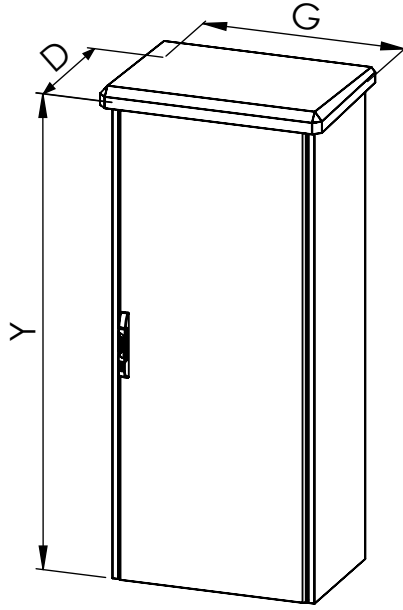


NEO HC MODÜLER SERİSİ



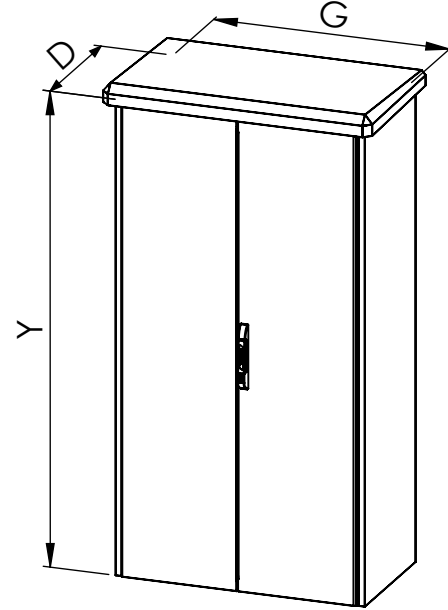
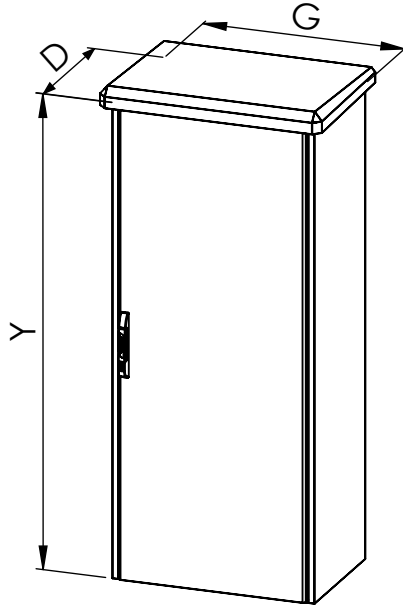
664.206.000	400 G x 2000 Y x 600 D
664.208.000	400 G x 2000 Y x 800 D
666.124.000	600 G x 1200 Y x 400 D
666.126.000	600 G x 1200 Y x 600 D
666.164.000	600 G x 1600 Y x 400 D
666.166.000	600 G x 1600 Y x 600 D
666.206.000	600 G x 2000 Y x 600 D
666.208.000	600 G x 2000 Y x 800 D
667.206.000	700 G x 2000 Y x 600 D
667.208.000	700 G x 2000 Y x 800 D
668.124.000	800 G x 1200 Y x 400 D
668.126.000	800 G x 1200 Y x 600 D
668.164.000	800 G x 1600 Y x 400 D
668.166.000	800 G x 1600 Y x 600 D
668.260.000	800 G x 2000 Y x 600 D
668.280.000	800 G x 2000 Y x 800 D

660.206.000	1000 G x 2000 Y x 600 D
660.208.000	1000 G x 2000 Y x 800 D
662.206.000	1200 G x 2000 Y x 600 D
662.208.000	1200 G x 2000 Y x 800 D


NEO HC MODÜLER SERİSİ
ÜRÜN BİLGİSİ

SIRA	Ref.No:	PANO ÖLÇÜLERİ W x H x D (mm)			SAC KALINLIKLARI (mm)										MONTAJ PLAKASI ÖLÇÜLERİ G x Y (mm)		MONTAJ PLAKASI	KAPI			
		*GENİŞLİK (mm)	*YÜKSEKLİK (mm)	*DERİNLİK (mm)	ANA GÖVDE (mm)	ÖN KAPI (mm)	ÜST KAPAK (mm)	YAN KAPAK (mm)	ARKA KAPAK (mm)	MONTAJ PLAKASI (mm)	ÇATI TEK MODÜL	ÇATI PARÇALI MODÜL (SOL)	ÇATI PARÇALI MODÜL (SAĞ)	ÇATI PARÇALI MODÜL (ORTA)	GENİŞLİK (mm)	YÜKSEKLİK (mm)		MON. PL. VAR/ YOK	KAPI TİPİ	KİLİT	MENTEŞE
		1	664.206.000	400	2000	600	1,5	1,5	1-1,2	1,5	1-1,2	2	1,5	1,5	1,5	1,5		288	1888	YOK	Tek
2	664.208.000	400	2000	800	1,5	1,5	1-1,2	1,5	1-1,2	2	1,5	1,5	1,5	1,5	288	1888	YOK	Tek	BAS-ÇEK KİLİT	4	
3	666.124.000	600	1200	400	1,5	1,5	1-1,2	1,5	1-1,2	2	1,5	1,5	1,5	1,5	488	1088	YOK	Tek	BAS-ÇEK KİLİT	4	
4	666.126.000	600	1200	600	1,5	1,5	1-1,2	1,5	1-1,2	2	1,5	1,5	1,5	1,5	488	1088	YOK	Tek	BAS-ÇEK KİLİT	4	
5	666.164.000	600	1600	400	1,5	1,5	1-1,2	1,5	1-1,2	2	1,5	1,5	1,5	1,5	488	1488	YOK	Tek	BAS-ÇEK KİLİT	4	
6	666.166.000	600	1600	600	1,5	1,5	1-1,2	1,5	1-1,2	2	1,5	1,5	1,5	1,5	488	1488	YOK	Tek	BAS-ÇEK KİLİT	4	
7	666.206.000	600	2000	600	1,5	1,5	1-1,2	1,5	1-1,2	2	1,5	1,5	1,5	1,5	488	1888	YOK	Tek	BAS-ÇEK KİLİT	4	
8	666.208.000	600	2000	800	1,5	1,5	1-1,2	1,5	1-1,2	2	1,5	1,5	1,5	1,5	488	1888	YOK	Tek	BAS-ÇEK KİLİT	4	
9	667.206.000	700	2000	600	1,5	1,5	1-1,2	1,5	1-1,2	2	1,5	1,5	1,5	1,5	588	1888	YOK	Tek	BAS-ÇEK KİLİT	4	
10	667.208.000	700	2000	800	1,5	1,5	1-1,2	1,5	1-1,2	2	1,5	1,5	1,5	1,5	588	1888	YOK	Tek	BAS-ÇEK KİLİT	4	
11	668.124.000	800	1200	400	1,5	1,5	1-1,2	1,5	1-1,2	2	1,5	1,5	1,5	1,5	688	1088	YOK	Tek	BAS-ÇEK KİLİT	4	
12	668.126.000	800	1200	600	1,5	1,5	1-1,2	1,5	1-1,2	2	1,5	1,5	1,5	1,5	688	1088	YOK	Tek	BAS-ÇEK KİLİT	4	
13	668.164.000	800	1600	400	1,5	1,5	1-1,2	1,5	1-1,2	2	1,5	1,5	1,5	1,5	688	1488	YOK	Tek	BAS-ÇEK KİLİT	4	
14	668.166.000	800	1600	600	1,5	1,5	1-1,2	1,5	1-1,2	2	1,5	1,5	1,5	1,5	688	1488	YOK	Tek	BAS-ÇEK KİLİT	4	
15	668.260.000	800	2000	600	1,5	1,5	1-1,2	1,5	1-1,2	2	1,5	1,5	1,5	1,5	688	1888	YOK	Tek	BAS-ÇEK KİLİT	4	
16	668.280.000	800	2000	800	1,5	1,5	1-1,2	1,5	1-1,2	2	1,5	1,5	1,5	1,5	688	1888	YOK	Tek	BAS-ÇEK KİLİT	4	
17	660.206.000	1000	2000	600	1,5	1,5	1-1,2	1,5	1-1,2	2	1,5	1,5	1,5	1,5	888	1888	YOK	Çift	BAS-ÇEK KİLİT	4	
18	660.208.000	1000	2000	800	1,5	1,5	1-1,2	1,5	1-1,2	2	1,5	1,5	1,5	1,5	888	1888	YOK	Çift	BAS-ÇEK KİLİT	4	
19	662.206.000	1200	2000	600	1,5	1,5	1-1,2	1,5	1-1,2	2	1,5	1,5	1,5	1,5	1088	1888	YOK	Çift	BAS-ÇEK KİLİT	4	
20	662.208.000	1200	2000	800	1,5	1,5	1-1,2	1,5	1-1,2	2	1,5	1,5	1,5	1,5	1088	1888	YOK	Çift	BAS-ÇEK KİLİT	4	

Malzeme	Ana Gövde, Yan Kapak, Çatı Tek Modül, Çatı Parçalı Modül SOL, Çatı Parçalı Modül SAĞ, Çatı Parçalı Modül ORTA 1.5mm Galvaniz Sac; Ön Kapi 1.5mm DKP Sac; Üst Kapak - Arka Kapak 1-1.2mm DKP Sac
Yüzey İşlem	Demir-fosfat + elektrostatik toz boya RAL 7035
IK 10	Tek Kapılı, Çift Kapılı Pano
IP Sınıfı	IEC ve EN 60529 Tek Kapılı, Çift Kapılı IP 55
NEMA Sınıfı	Nema 3R
Standartlar	IEC 62208 (Pano Standartları)
Korozyon Sınıfı	TS EN ISO 12944-2'ye göre C3
Garanti	KYT-72



NEO HC MODÜLER SERİSİ

OPSİYONEL BİLGİLER

SIRA	Ref.No:	PANO ÖLÇÜLERİ G x Y x D (mm)			MONTAJ PLAKASI	OPSİYONEL BİLGİLER																***NEO BİRLEŞİM KİTİ	***TAŞIMA HALKASI (EYEBOLT KİTİ)
		*GENİŞLİK (mm)	*YÜKSEKLİK (mm)	*DERİNLİK (mm)		MODÜLER BAZA G x Y x D (mm)				BLOK BAZA G x Y x D (mm)				YAN KAPAKLAR Y x D				ÇATILAR G x D (mm)					
						BAZA KÖŞESİ H(100)	**BAZA KÖŞESİ H(200)	BAZA ÖN-ARKA KAPAK (H100) (W)	BAZA YAN KAPAK (H100) (D)	BLOK BAZA (H100)	BLOK BAZA (H200)	BLOK BAZA YAN KAPAK (H100) (D)	BLOK BAZA YAN KAPAK (H200) (D)	KAPALI	2 FİLTRE BOŞALTMALI	4 FİLTRE BOŞALTMALI	TEK MODÜL	SOL MODÜL	SAĞ MODÜL	ORTA MODÜL			
1	664.206.000	400	2000	600	717.420	708.100	708.200	709.140	710.160	915.146	915.246	916.160	916.260	633.206	634.206	635.206	984.246	934.346	934.446	934.546	611.000	612.000	
2	664.208.000	400	2000	800	717.420	708.100	708.200	709.140	710.180	915.148	915.248	916.180	916.280	633.208	634.208	635.208	984.248	934.348	934.448	934.548	611.000	612.000	
3	666.124.000	600	1200	400	717.612	708.100	708.200	709.160	710.140	915.164	915.264	916.140	916.240	633.124	634.124	635.124	984.264	934.364	934.464	934.564	611.000	612.000	
4	666.126.000	600	1200	600	717.612	708.100	708.200	709.160	710.160	915.166	915.266	916.160	916.260	633.126	634.126	635.126	984.266	934.366	934.466	934.566	611.000	612.000	
5	666.164.000	600	1600	400	717.616	708.100	708.200	709.160	710.140	915.164	915.264	916.140	916.240	633.164	634.164	635.164	984.264	934.364	934.464	934.564	611.000	612.000	
6	666.166.000	600	1600	600	717.616	708.100	708.200	709.160	710.160	915.166	915.266	916.160	916.260	633.166	634.166	635.166	984.266	934.366	934.466	934.566	611.000	612.000	
7	666.206.000	600	2000	600	717.620	708.100	708.200	709.160	710.160	915.166	915.266	916.160	916.260	633.206	634.206	635.206	984.266	934.366	934.466	934.566	611.000	612.000	
8	666.208.000	600	2000	800	717.620	708.100	708.200	709.160	710.180	915.168	915.268	916.180	916.280	633.208	634.208	635.208	984.268	934.368	934.468	934.568	611.000	612.000	
9	667.206.000	700	2000	600	717.720	708.100	708.200	709.170	710.160	915.176	915.276	916.160	916.260	633.206	634.206	635.206	984.276	934.376	934.476	934.576	611.000	612.000	
10	667.208.000	700	2000	800	717.720	708.100	708.200	709.170	710.180	915.178	915.278	916.180	916.280	633.208	634.208	635.208	984.278	934.378	934.478	934.578	611.000	612.000	
11	668.124.000	800	1200	400	717.812	708.100	708.200	709.180	710.140	915.184	915.284	916.140	916.240	633.124	634.124	635.124	984.284	934.384	934.484	934.584	611.000	612.000	
12	668.126.000	800	1200	600	717.812	708.100	708.200	709.180	710.160	915.186	915.286	916.160	916.260	633.126	634.126	635.126	984.286	934.386	934.486	934.586	611.000	612.000	
13	668.164.000	800	1600	400	717.816	708.100	708.200	709.180	710.140	915.184	915.284	916.140	916.240	633.164	634.164	635.164	984.284	934.384	934.484	934.584	611.000	612.000	
14	668.166.000	800	1600	600	717.816	708.100	708.200	709.180	710.160	915.186	915.286	916.160	916.260	633.166	634.166	635.166	984.286	934.386	934.486	934.586	611.000	612.000	
15	668.260.000	800	2000	600	717.820	708.100	708.200	709.180	710.160	915.186	915.286	916.160	916.260	633.206	634.206	635.206	984.286	934.386	934.486	934.586	611.000	612.000	
16	668.280.000	800	2000	800	717.820	708.100	708.200	709.180	710.180	915.188	915.288	916.180	916.280	633.208	634.208	635.208	984.288	934.388	934.488	934.588	611.000	612.000	
17	660.206.000	1000	2000	600	707.020	708.100	708.200	709.100	710.160	915.116	915.216	916.160	916.260	633.206	634.206	635.206	984.216	934.316	934.416	934.516	611.000	612.000	
18	660.208.000	1000	2000	800	707.020	708.100	708.200	709.100	710.180	915.118	915.218	916.180	916.280	633.208	634.208	635.208	984.218	934.318	934.418	934.518	611.000	612.000	
19	662.206.000	1200	2000	600	707.220	708.100	708.200	709.120	710.160	915.126	915.226	916.160	916.260	633.206	634.206	635.206	984.226	934.326	934.426	934.526	611.000	612.000	
20	662.208.000	1200	2000	800	707.220	708.100	708.200	709.120	710.180	915.128	915.228	916.180	916.280	633.208	634.208	635.208	984.228	934.328	934.428	934.528	611.000	612.000	

BİLGİ

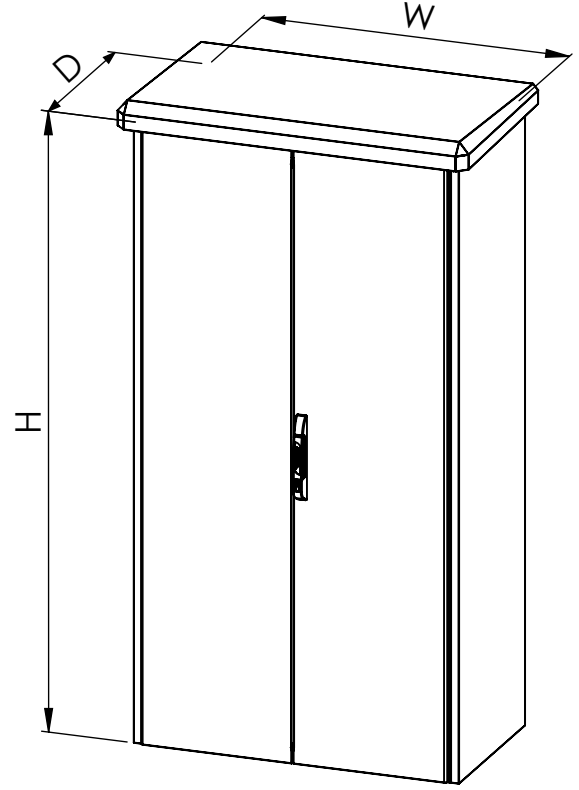
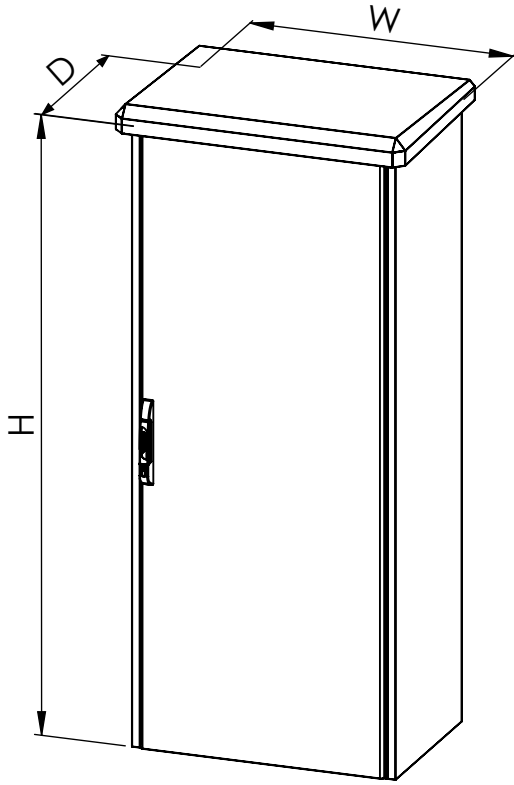
* Orjinal boyutlar için lütfen (2D çizim) elektronik kopyalarını kontrol edin.

** 200mm baza köşesi, 100mm yükseklik baza kapakları ile kullanılmaktadır. Ön ve yan baza kapakları her biri iki adet sipariş edilmelidir.

*** NEO birleşim kiti adet miktarı, kullanılan pano miktarından 1 adet düşük verilmelidir. Taşıma halkası adet miktarı pano sipariş miktarı ile aynı olmalıdır.

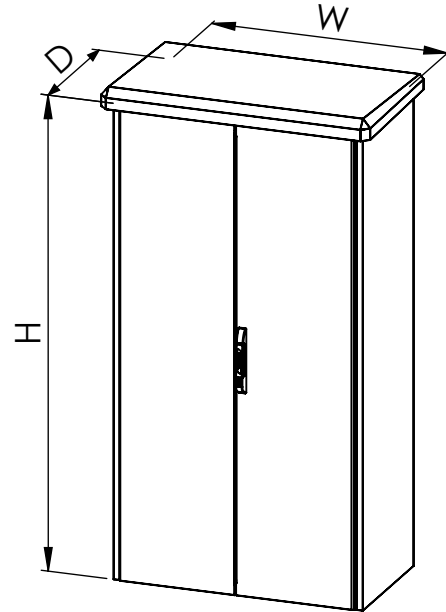
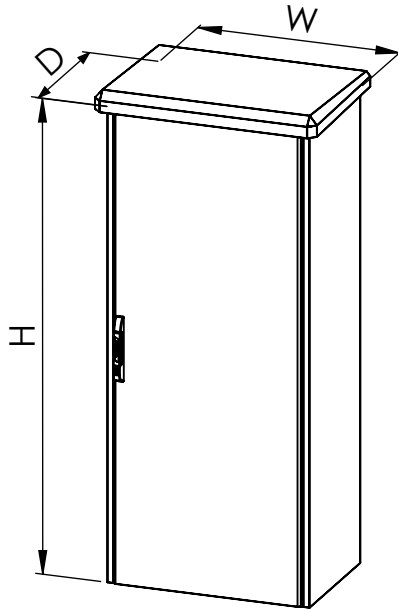
**** Çatı modül detayları için lütfen kataloğu inceleyiniz.

NEO HC MODULAR SERIES



664.206.000	400 W x 2000 H x 600 D
664.208.000	400 W x 2000 H x 800 D
666.124.000	600 W x 1200 H x 400 D
666.126.000	600 W x 1200 H x 600 D
666.164.000	600 W x 1600 H x 400 D
666.166.000	600 W x 1600 H x 600 D
666.206.000	600 W x 2000 H x 600 D
666.208.000	600 W x 2000 H x 800 D
667.206.000	700 W x 2000 H x 600 D
667.208.000	700 W x 2000 H x 800 D
668.124.000	800 W x 1200 H x 400 D
668.126.000	800 W x 1200 H x 600 D
668.164.000	800 W x 1600 H x 400 D
668.166.000	800 W x 1600 H x 600 D
668.260.000	800 W x 2000 H x 600 D
668.280.000	800 W x 2000 H x 800 D

660.206.000	1000 W x 2000 H x 600 D
660.208.000	1000 W x 2000 H x 800 D
662.206.000	1200 W x 2000 H x 600 D
662.208.000	1200 W x 2000 H x 800 D


NEO HC MODULAR SERIES
PRODUCT INFORMATION

ITEM	Ref.No:	ENCLOSURE DIMENSIONS W x H x D (mm)																					
		ENCLOSURE DIMENSIONS W x H x D (mm)					SHEET THICKNESS(mm)										MOUNTING PLATE DIMENSIONS W x H (mm)		MOUNTING PLATE		DOOR		
		*WIDTH (mm)	*HEIGHT (mm)	*DEPTH (mm)	MAIN BODY (mm)	FRONT DOOR (mm)	TOP COVER (mm)	SIDE PANEL (mm)	REAR PANEL (mm)	MOUNTING PLATE (mm)	ROOF SINGLE MODULE	ROOF LEFT MODULE	ROOF RIGHT MODULE	ROOF MIDDLE MODULE	WIDTH (mm)	HEIGHT	INC.-W/O	DOOR TYPE	LOCK	HINGE			
1	664.206.000	400	2000	600	1,5	1,5	1-1,2	1,5	1-1,2	2	1,5	1,5	1,5	1,5	288	1888	W/O	Single	PUSH-PULL LOCK	4			
2	664.208.000	400	2000	800	1,5	1,5	1-1,2	1,5	1-1,2	2	1,5	1,5	1,5	1,5	288	1888	W/O	Single	PUSH-PULL LOCK	4			
3	666.124.000	600	1200	400	1,5	1,5	1-1,2	1,5	1-1,2	2	1,5	1,5	1,5	1,5	488	1088	W/O	Single	PUSH-PULL LOCK	4			
4	666.126.000	600	1200	600	1,5	1,5	1-1,2	1,5	1-1,2	2	1,5	1,5	1,5	1,5	488	1088	W/O	Single	PUSH-PULL LOCK	4			
5	666.164.000	600	1600	400	1,5	1,5	1-1,2	1,5	1-1,2	2	1,5	1,5	1,5	1,5	488	1488	W/O	Single	PUSH-PULL LOCK	4			
6	666.166.000	600	1600	600	1,5	1,5	1-1,2	1,5	1-1,2	2	1,5	1,5	1,5	1,5	488	1488	W/O	Single	PUSH-PULL LOCK	4			
7	666.206.000	600	2000	600	1,5	1,5	1-1,2	1,5	1-1,2	2	1,5	1,5	1,5	1,5	488	1888	W/O	Single	PUSH-PULL LOCK	4			
8	666.208.000	600	2000	800	1,5	1,5	1-1,2	1,5	1-1,2	2	1,5	1,5	1,5	1,5	488	1888	W/O	Single	PUSH-PULL LOCK	4			
9	667.206.000	700	2000	600	1,5	1,5	1-1,2	1,5	1-1,2	2	1,5	1,5	1,5	1,5	588	1888	W/O	Single	PUSH-PULL LOCK	4			
10	667.208.000	700	2000	800	1,5	1,5	1-1,2	1,5	1-1,2	2	1,5	1,5	1,5	1,5	588	1888	W/O	Single	PUSH-PULL LOCK	4			
11	668.124.000	800	1200	400	1,5	1,5	1-1,2	1,5	1-1,2	2	1,5	1,5	1,5	1,5	688	1088	W/O	Single	PUSH-PULL LOCK	4			
12	668.126.000	800	1200	600	1,5	1,5	1-1,2	1,5	1-1,2	2	1,5	1,5	1,5	1,5	688	1088	W/O	Single	PUSH-PULL LOCK	4			
13	668.164.000	800	1600	400	1,5	1,5	1-1,2	1,5	1-1,2	2	1,5	1,5	1,5	1,5	688	1488	W/O	Single	PUSH-PULL LOCK	4			
14	668.166.000	800	1600	600	1,5	1,5	1-1,2	1,5	1-1,2	2	1,5	1,5	1,5	1,5	688	1488	W/O	Single	PUSH-PULL LOCK	4			
15	668.260.000	800	2000	600	1,5	1,5	1-1,2	1,5	1-1,2	2	1,5	1,5	1,5	1,5	688	1888	W/O	Single	PUSH-PULL LOCK	4			
16	668.280.000	800	2000	800	1,5	1,5	1-1,2	1,5	1-1,2	2	1,5	1,5	1,5	1,5	688	1888	W/O	Single	PUSH-PULL LOCK	4			
17	660.206.000	1000	2000	600	1,5	1,5	1-1,2	1,5	1-1,2	2	1,5	1,5	1,5	1,5	888	1888	W/O	Double	PUSH-PULL LOCK	4			
18	660.208.000	1000	2000	800	1,5	1,5	1-1,2	1,5	1-1,2	2	1,5	1,5	1,5	1,5	888	1888	W/O	Double	PUSH-PULL LOCK	4			
19	662.206.000	1200	2000	600	1,5	1,5	1-1,2	1,5	1-1,2	2	1,5	1,5	1,5	1,5	1088	1888	W/O	Double	PUSH-PULL LOCK	4			
20	662.208.000	1200	2000	800	1,5	1,5	1-1,2	1,5	1-1,2	2	1,5	1,5	1,5	1,5	1088	1888	W/O	Double	PUSH-PULL LOCK	4			

Material Main Body, Side Panel, Roof Single Module, Roof Left Module, Roof Right Module, Roof Medium Module 1,5mm Galvanized Sheet; Front Door 1,5mm Mild Steel; Top Cover - Rear Panel 1-1,2mm Mild Steel; Mounting Plate 2mm Galvanized

Surface Finishing Iron-phosphate + electrostatic powder coating RAL 7035

IK 10 Single Door, Double Door Enclosure

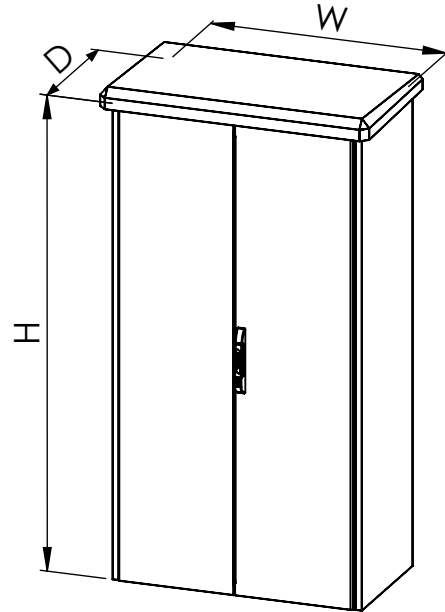
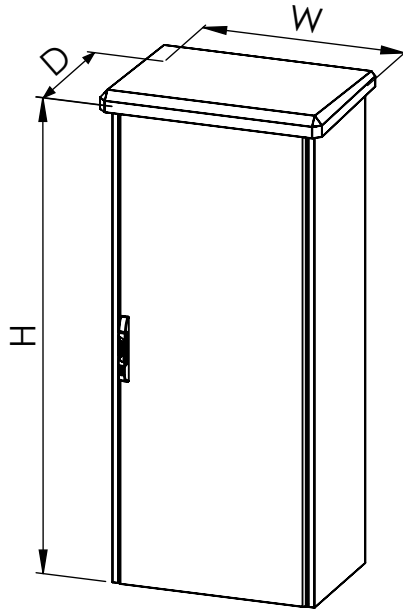
IP Class IEC ve EN 60529 Single Door, Double Door IP 55

NEMA Class Nema 3R

Standarts IEC 62208 (Enclosure Standarts)

Corrosion Class C3 according to TS EN ISO 12944-2

Guarantee KYT-72



NEO HC MODULAR SERIES

OPTIONAL INFORMATION

ITEM	Ref.No:	ENCLOSURE DIMENSIONS W x H x D (mm)			MOUNTING PLATE	OPTIONAL INFORMATION																
		*WIDTH (mm)	*HEIGHT (mm)	*DEPTH (mm)		MODULAR PLINTH W x H x D (mm)				BLOCK PLINTH W x H x D (mm)				SIDE PANELS H x D			****ROOFS W x D (mm)				***BAYING KIT	***EYEBOLT KIT
						PLINTH CORNER H(100)	**PLINTH CORNER H(200)	PLINTH FRONT COVER H(100) (W)	PLINTH SIDE COVER H(100) (D)	BLOCK PLINTH H(100)	BLOCK PLINTH H(200)	BLOCK PLINTH SIDE COVER H(100) (D)	BLOCK PLINTH SIDE COVER H(200) (D)	CLOSED	2 FILTERS CUT- OUTS	4 FILTERS CUT- OUTS	SINGLE MODULE	LEFT MODULE	RIGHT MODULE	MIDDLE MODULE		
1	664.206.000	400	2000	600	717.420	708.100	708.200	709.140	710.160	915.146	915.246	916.160	916.260	633.206	634.206	635.206	934.246	934.346	934.446	934.546	611.000	612.000
2	664.208.000	400	2000	800	717.420	708.100	708.200	709.140	710.180	915.148	915.248	916.180	916.280	633.208	634.208	635.208	934.248	934.348	934.448	934.548	611.000	612.000
3	666.124.000	600	1200	400	717.612	708.100	708.200	709.160	710.140	915.164	915.264	916.140	916.240	633.124	634.124	635.124	934.264	934.364	934.464	934.564	611.000	612.000
4	666.126.000	600	1200	600	717.612	708.100	708.200	709.160	710.160	915.166	915.266	916.160	916.260	633.126	634.126	635.126	934.266	934.366	934.466	934.566	611.000	612.000
5	666.164.000	600	1600	400	717.616	708.100	708.200	709.160	710.140	915.164	915.264	916.140	916.240	633.164	634.164	635.164	934.264	934.364	934.464	934.564	611.000	612.000
6	666.166.000	600	1600	600	717.616	708.100	708.200	709.160	710.160	915.166	915.266	916.160	916.260	633.166	634.166	635.166	934.266	934.366	934.466	934.566	611.000	612.000
7	666.206.000	600	2000	600	717.620	708.100	708.200	709.160	710.160	915.166	915.266	916.160	916.260	633.206	634.206	635.206	934.266	934.366	934.466	934.566	611.000	612.000
8	666.208.000	600	2000	800	717.620	708.100	708.200	709.160	710.180	915.168	915.268	916.180	916.280	633.208	634.208	635.208	934.268	934.368	934.468	934.568	611.000	612.000
9	667.206.000	700	2000	600	717.720	708.100	708.200	709.170	710.160	915.176	915.276	916.160	916.260	633.206	634.206	635.206	934.276	934.376	934.476	934.576	611.000	612.000
10	667.208.000	700	2000	800	717.720	708.100	708.200	709.170	710.180	915.178	915.278	916.180	916.280	633.208	634.208	635.208	934.278	934.378	934.478	934.578	611.000	612.000
11	668.124.000	800	1200	400	717.812	708.100	708.200	709.180	710.140	915.184	915.284	916.140	916.240	633.124	634.124	635.124	934.284	934.384	934.484	934.584	611.000	612.000
12	668.126.000	800	1200	600	717.812	708.100	708.200	709.180	710.160	915.186	915.286	916.160	916.260	633.126	634.126	635.126	934.286	934.386	934.486	934.586	611.000	612.000
13	668.164.000	800	1600	400	717.816	708.100	708.200	709.180	710.140	915.184	915.284	916.140	916.240	633.164	634.164	635.164	934.284	934.384	934.484	934.584	611.000	612.000
14	668.166.000	800	1600	600	717.816	708.100	708.200	709.180	710.160	915.186	915.286	916.160	916.260	633.168	634.168	635.168	934.286	934.386	934.486	934.586	611.000	612.000
15	668.260.000	800	2000	600	717.820	708.100	708.200	709.180	710.160	915.186	915.286	916.160	916.260	633.206	634.206	635.206	934.286	934.386	934.486	934.586	611.000	612.000
16	668.280.000	800	2000	800	717.820	708.100	708.200	709.180	710.180	915.188	915.288	916.180	916.280	633.208	634.208	635.208	934.288	934.388	934.488	934.588	611.000	612.000
17	660.206.000	1000	2000	600	707.020	708.100	708.200	709.100	710.160	915.116	915.216	916.160	916.260	633.206	634.206	635.206	934.216	934.316	934.416	934.516	611.000	612.000
18	660.208.000	1000	2000	800	707.020	708.100	708.200	709.100	710.180	915.118	915.218	916.180	916.280	633.208	634.208	635.208	934.218	934.318	934.418	934.518	611.000	612.000
19	662.206.000	1200	2000	600	707.220	708.100	708.200	709.120	710.160	915.126	915.226	916.160	916.260	633.206	634.206	635.206	934.226	934.326	934.426	934.526	611.000	612.000
20	662.208.000	1200	2000	800	707.220	708.100	708.200	709.120	710.180	915.128	915.228	916.180	916.280	633.208	634.208	635.208	934.228	934.328	934.428	934.528	611.000	612.000

INFORMATION

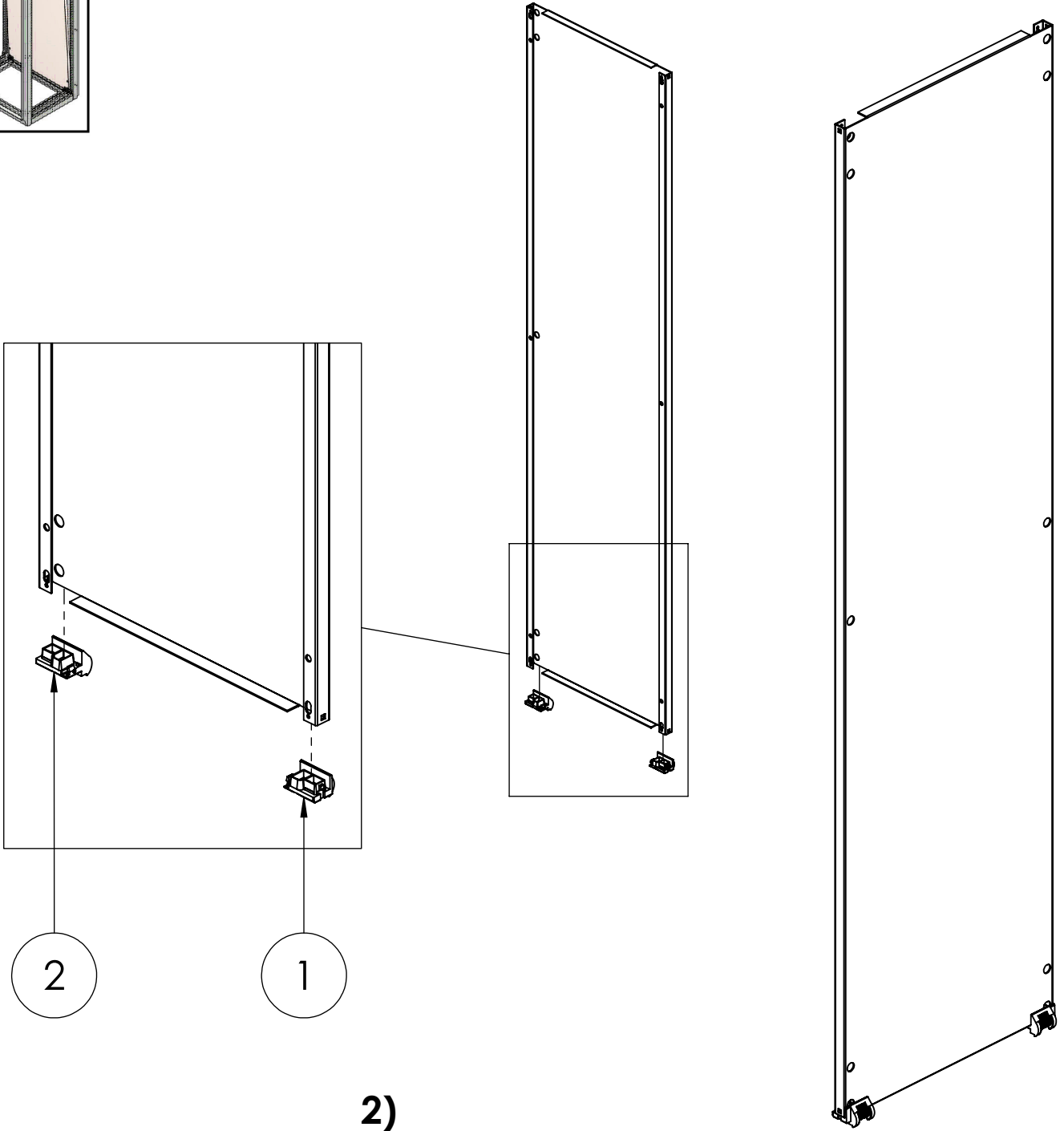
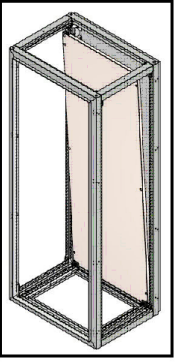
* Please check the electronic copies (2D drawing) for the original dimensions.

** 200mm plinth corner, 100mm height plinth covers are used. Front and side plinth covers must be ordered in two pieces each.

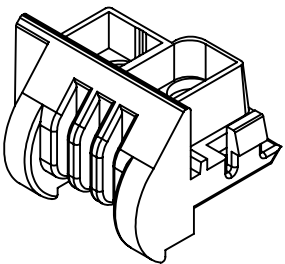
*** The quantity of the baying kit must order one less than the quantity of enclosures. An Eyebolt kit must be order for corner enclosures.

**** Please refer to the catalog for roof module details.

MONTAJ PLAKASI MONTAJ MOUNTING PLATE ASSEMBLY

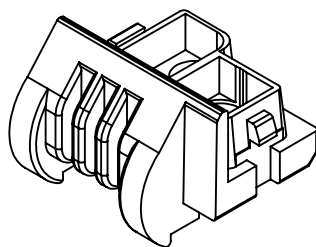


1)



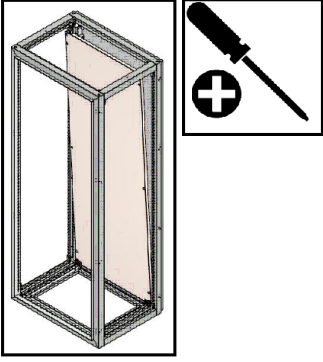
x1

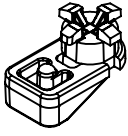
2)

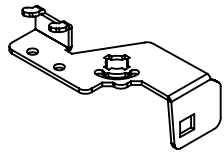


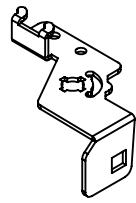
x1

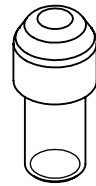
MONTAJ PLAKASI ARKA SABİT POZİSYON
MOUNTING PLATE REAR FIXED POSITION



1)  x2

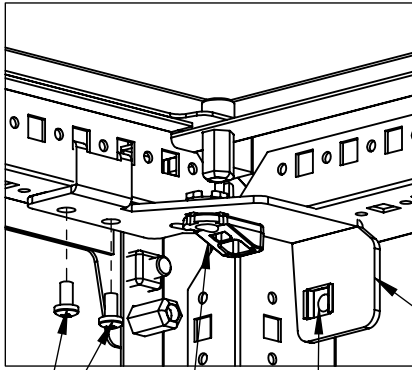
2) SAĞ  x1

3) SOL  x1

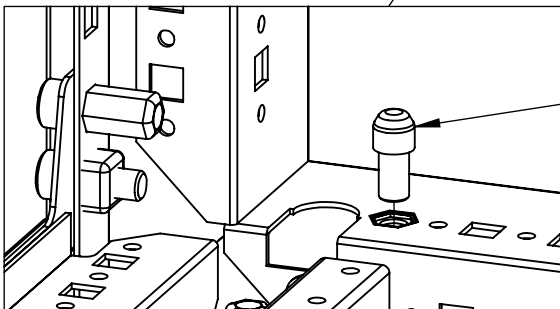
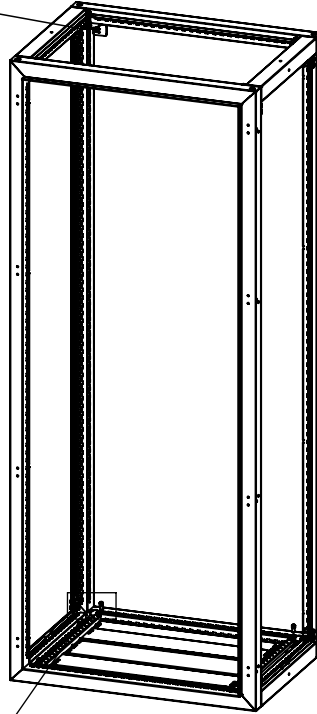
4)  x2

M5x10
5)  x4

M8
6)  x2

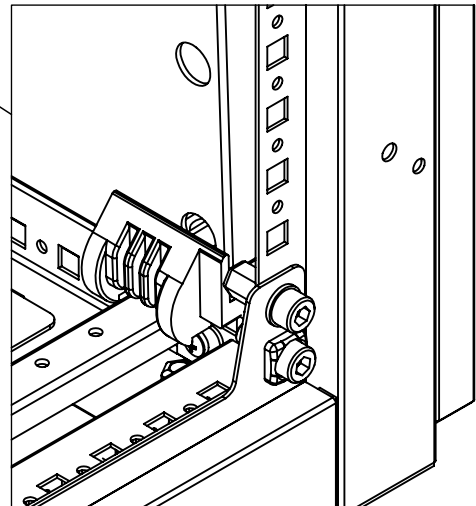
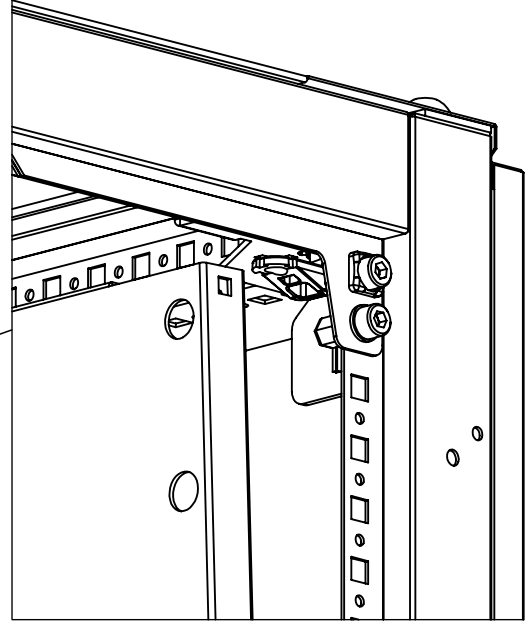
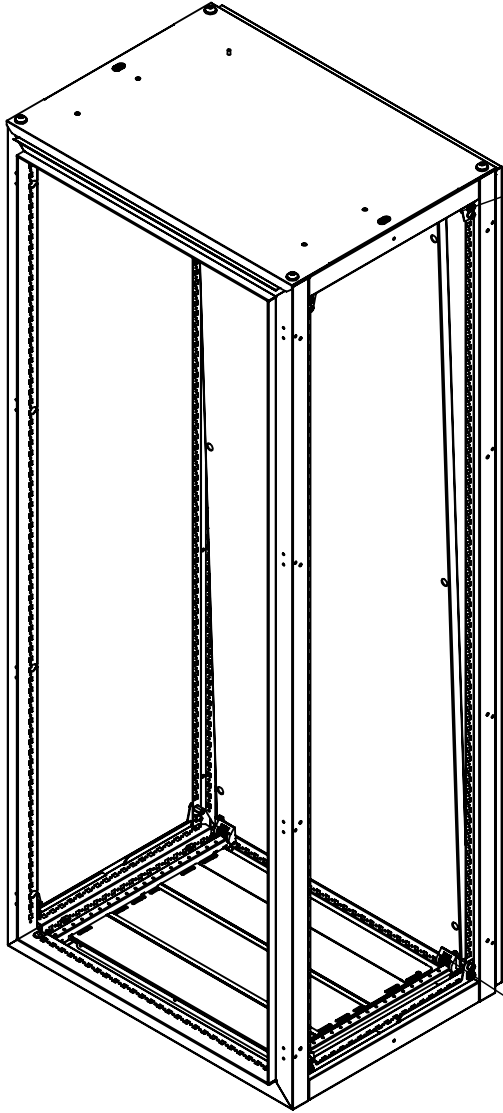
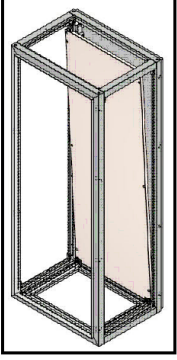


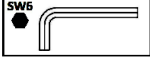
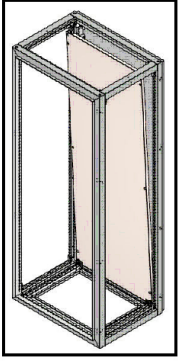
2/3



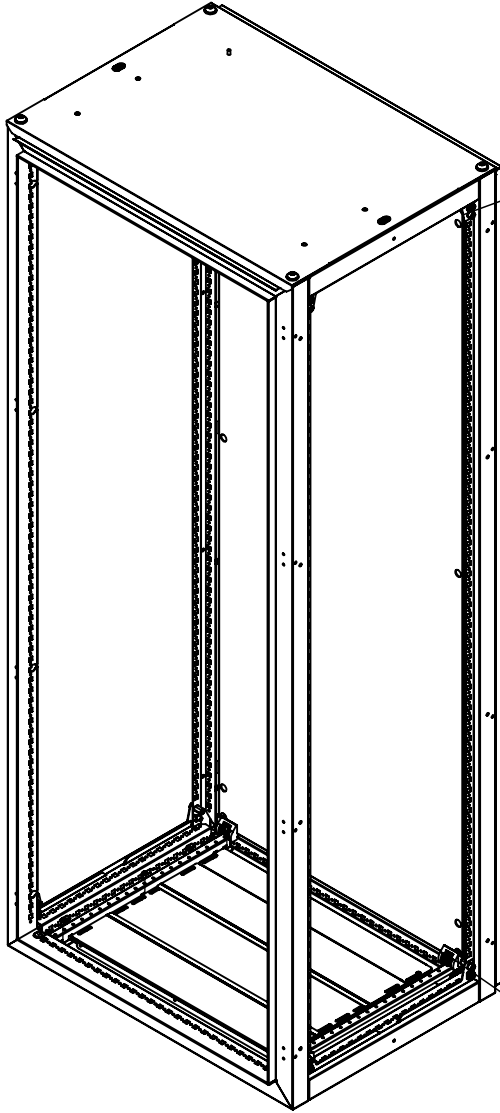
4

MONTAJ PLAKASI ARKA SABİT POZİSYON
MOUNTING PLATE REAR FIXED POSITION



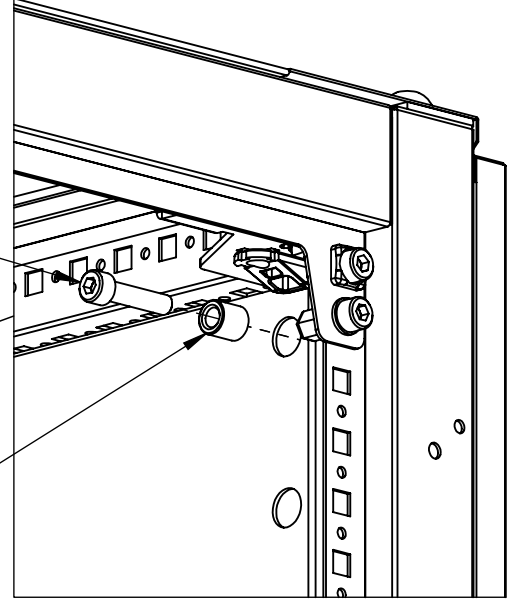


MONTAJ PLAKASI ARKA SABİT POZİSYON MOUNTING PLATE REAR FIXED POSITION

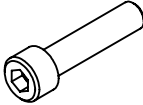


1


2

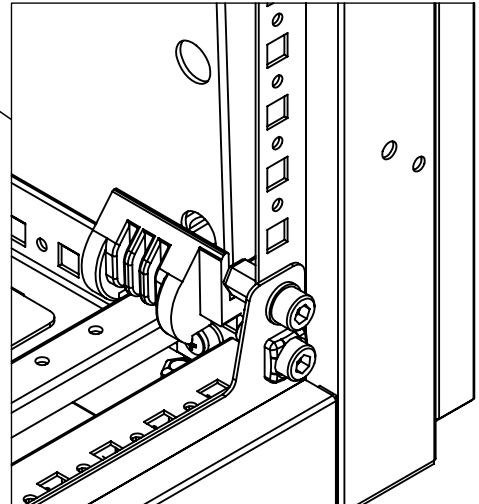


M8x35

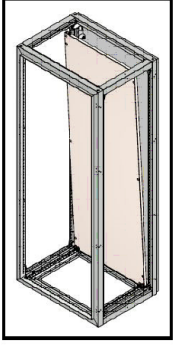
1)  **x2**


M8

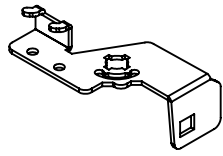
2)  **x2**

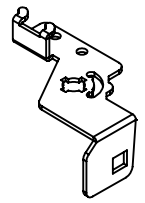


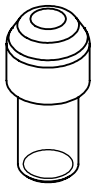
MONTAJ PLAKASI HAREKETLİ POZİSYON MOUNTING PLATE MOVEABLE POSITION




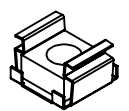
1)  x2

2)  SAĞ x1


3)  SOL x1

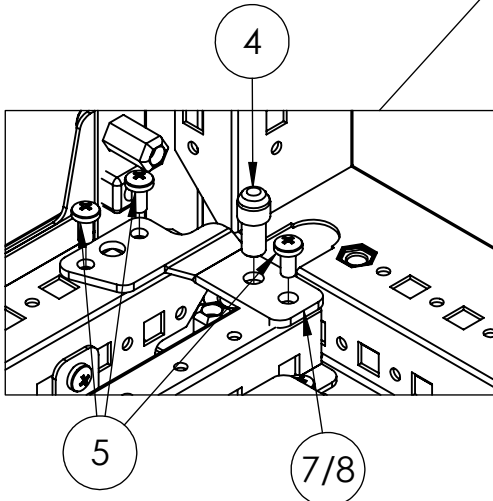
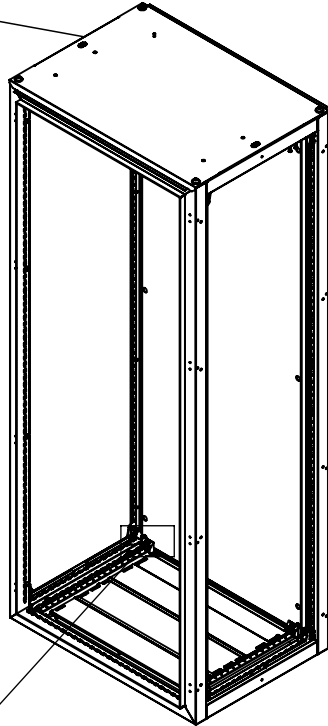
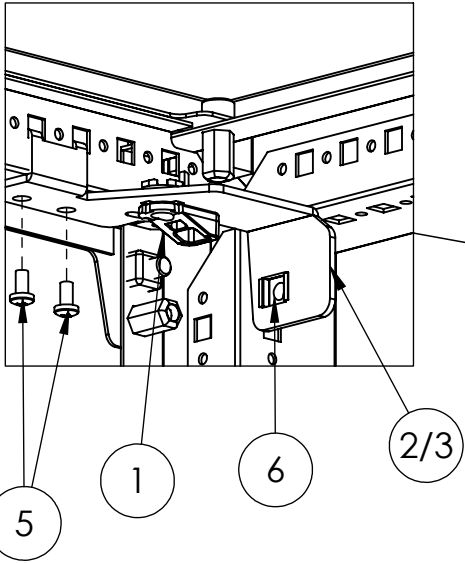
4)  x2

5)  M5x10 x10

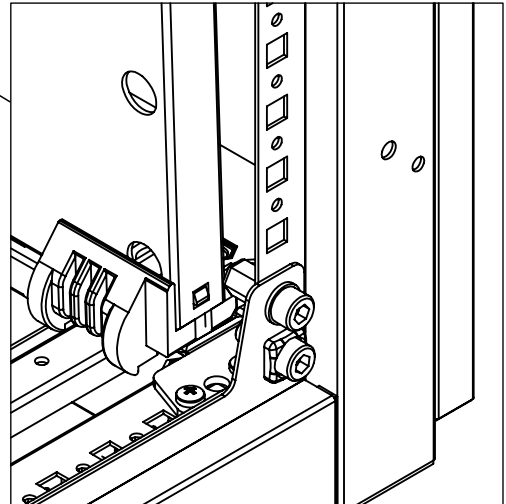
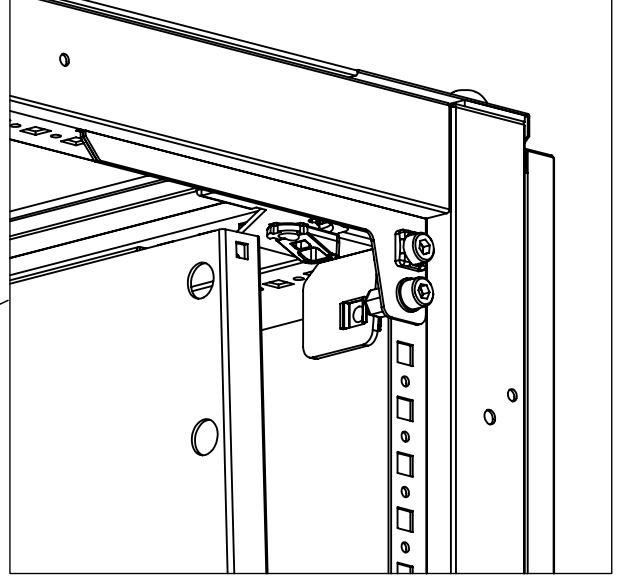
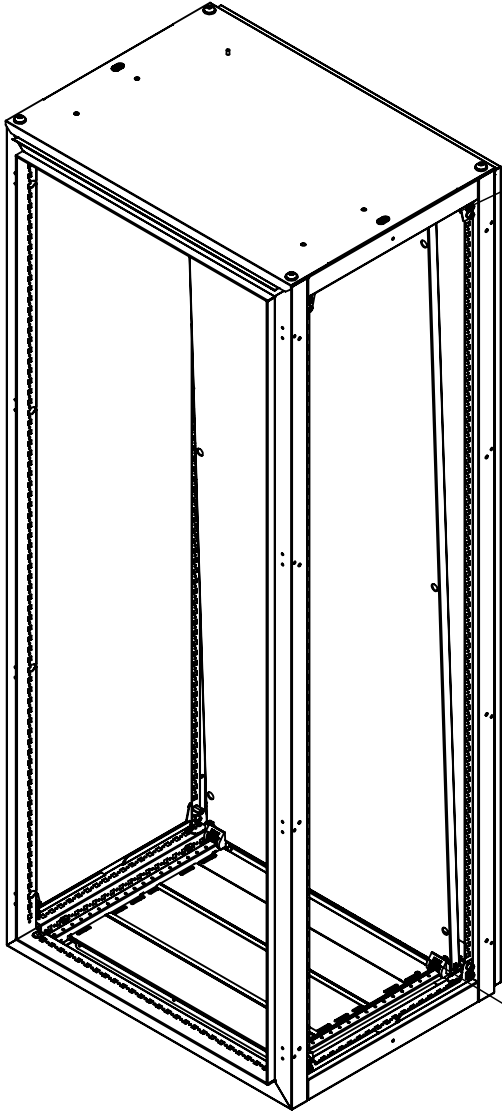
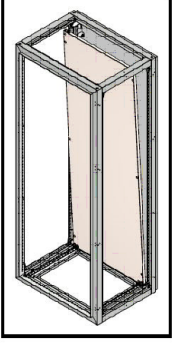
6)  M8 x2

7)  SAĞ x1

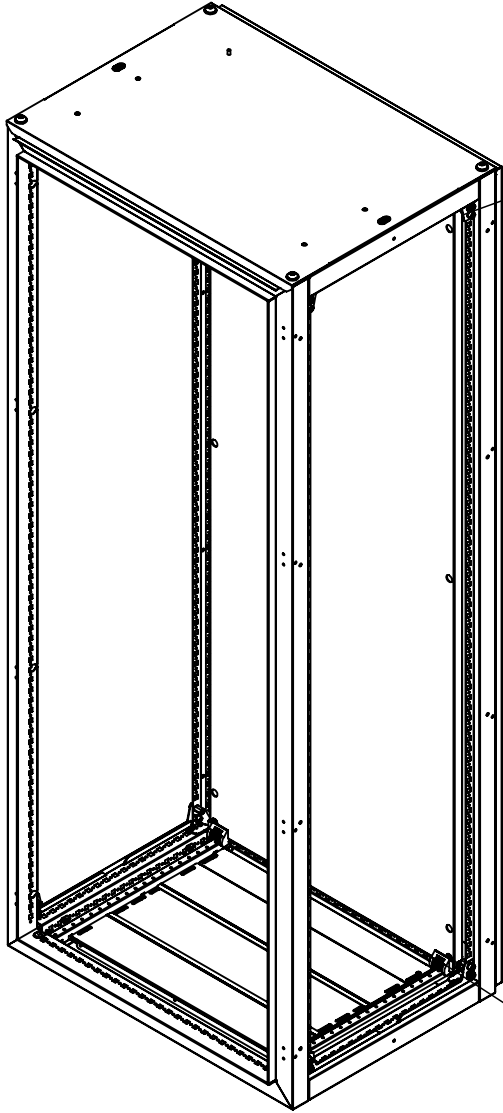
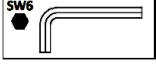
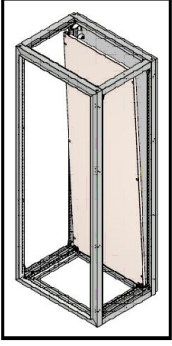
8)  SOL x1



MONTAJ PLAKASI HAREKETLİ POZİSYON
MOUNTING PLATE MOVEABLE POSITION

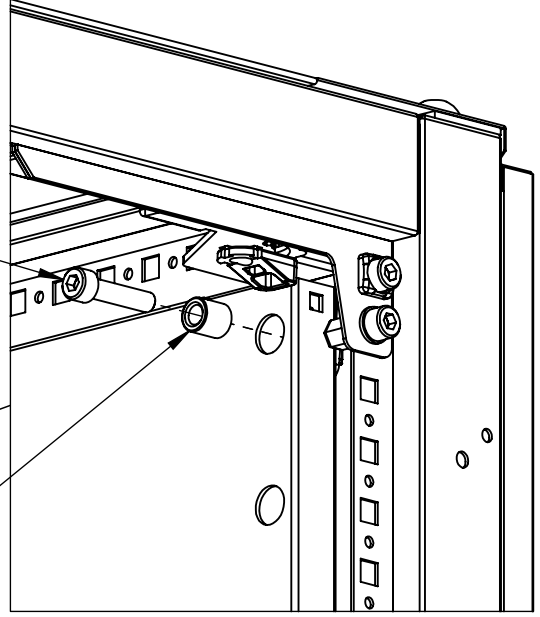


MONTAJ PLAKASI HAREKETLİ POZİSYON
MOUNTING PLATE MOVEABLE POSITION

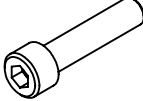


1

2

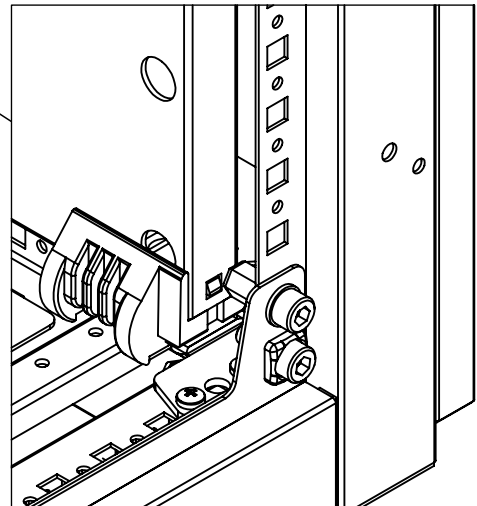


M8x35

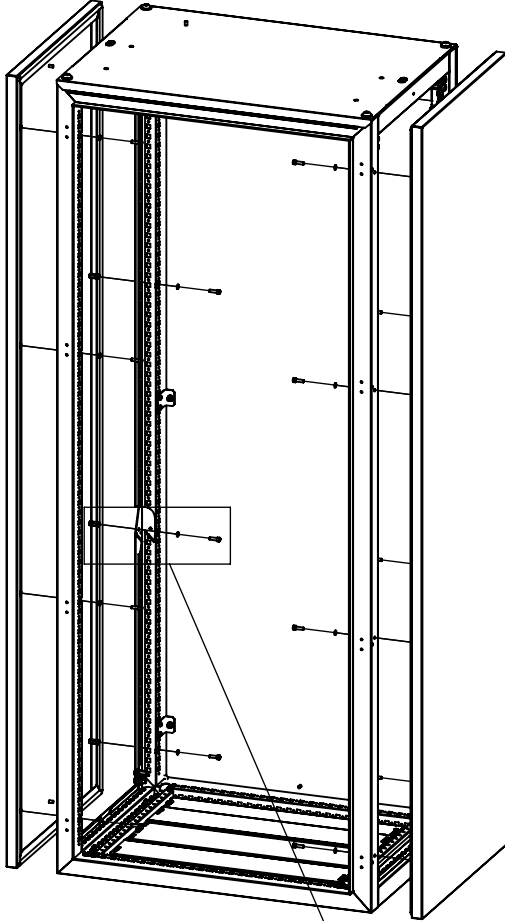
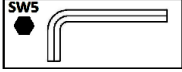
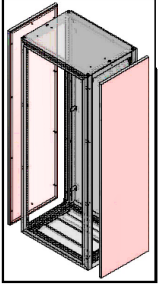
1)  x2

M8

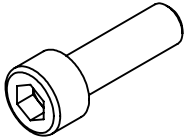
2)  x2



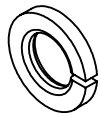
YAN KAPAK MONTAJ
SIDE PANEL ASSEMBLY

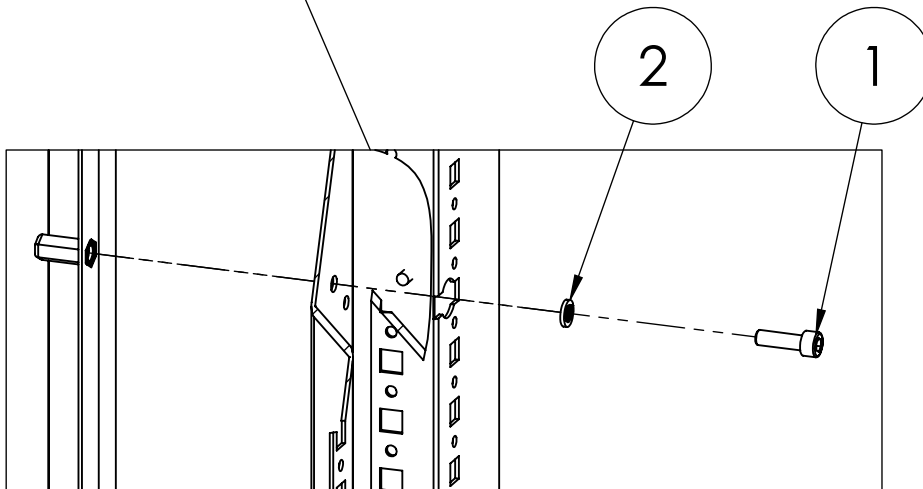


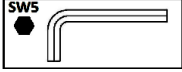
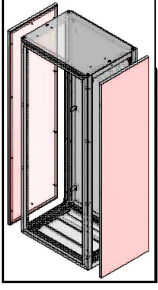
M6x20

1)  **x16**

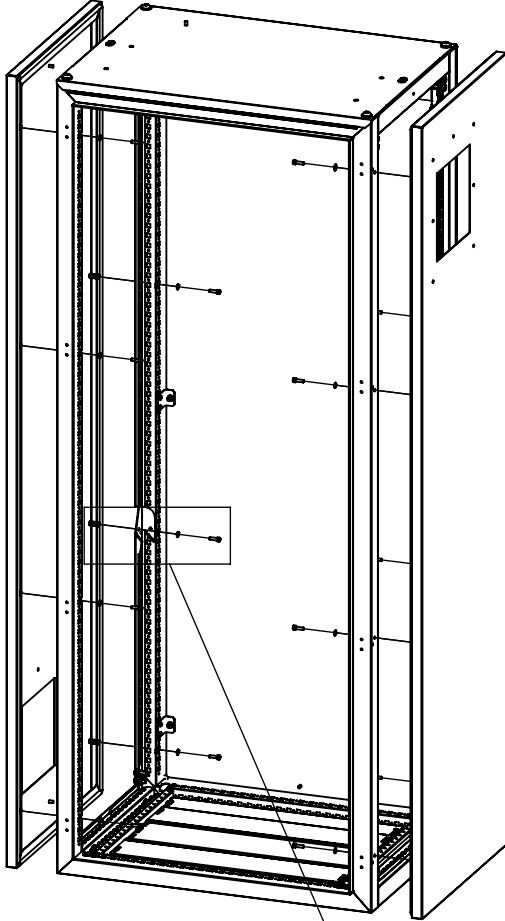
M6

2)  **x16**

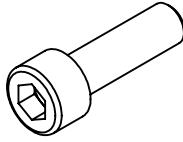





2 FİLTRE BOŞALTMALI YAN KAPAK MONTAJ SIDE PANELS WITH 2 FILTERS CUT-OUTS ASSEMBLY

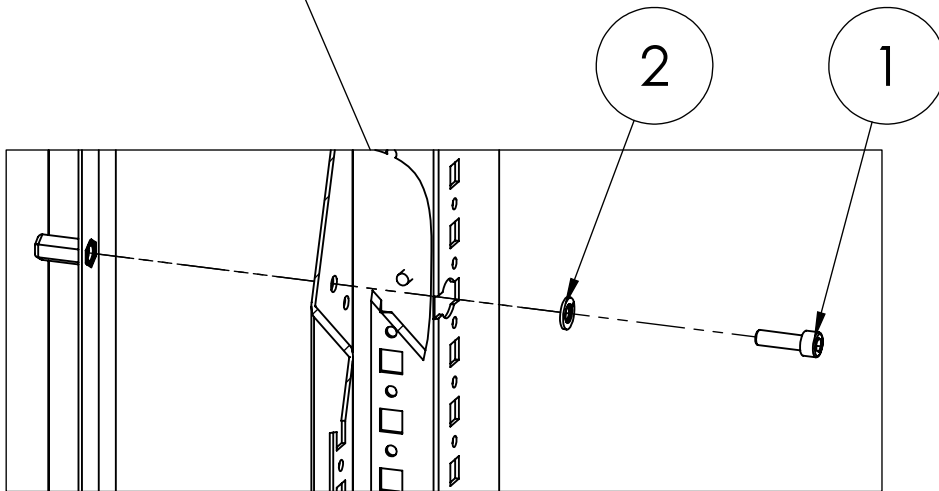


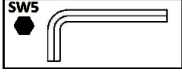
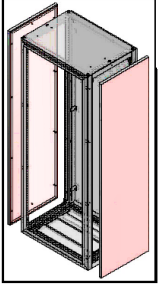
M6x20

1)  **x16**

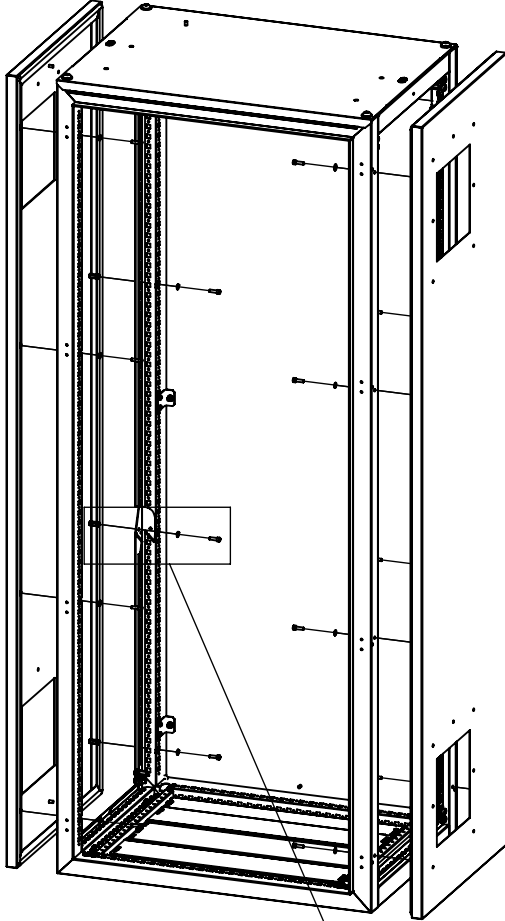
M6

2)  **x16**

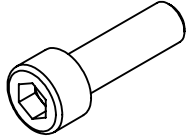





4 FİLTRE BOŞALTMALI YAN KAPAK MONTAJ SIDE PANELS WITH 4 FILTERS CUT-OUTS ASSEMBLY

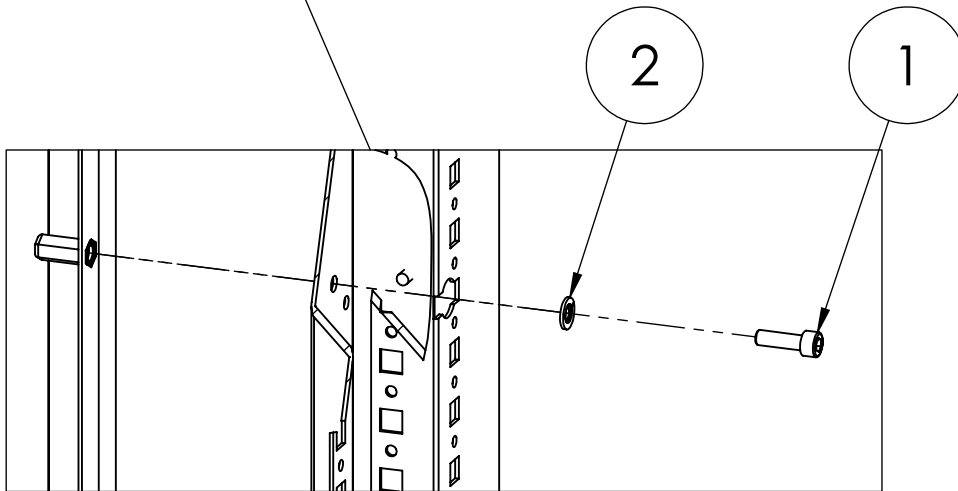


M6x20

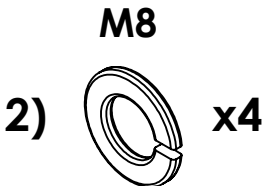
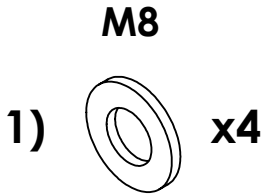
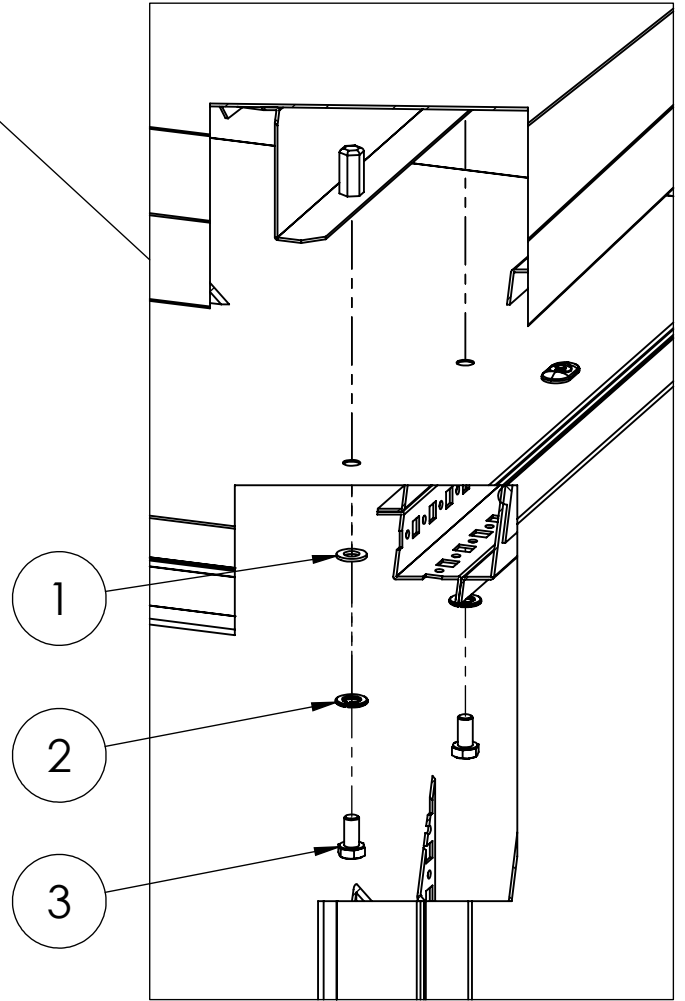
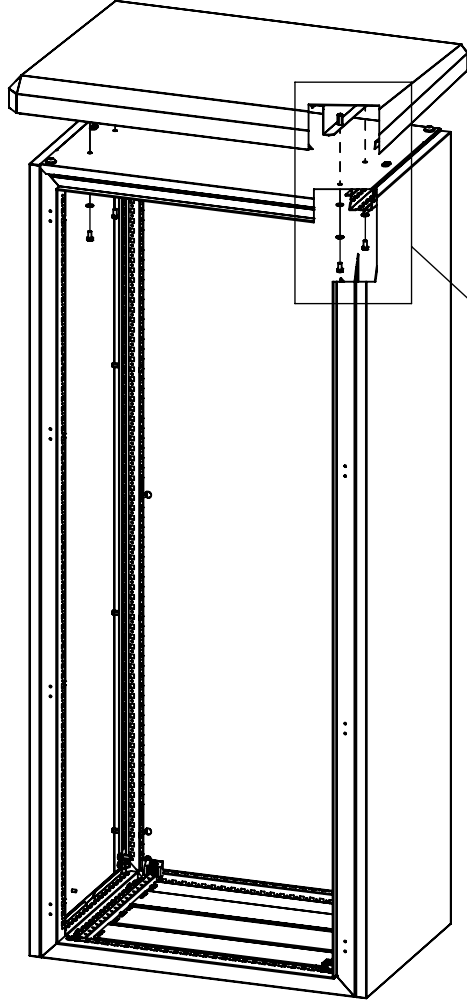
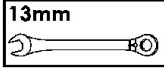
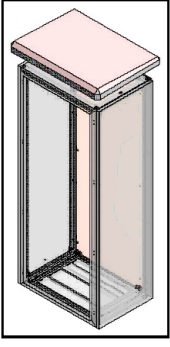
1)  **x16**

M6

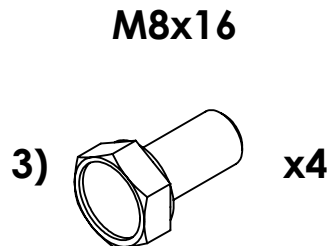
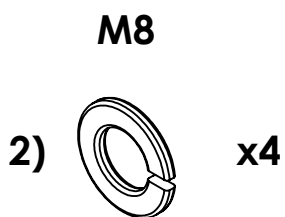
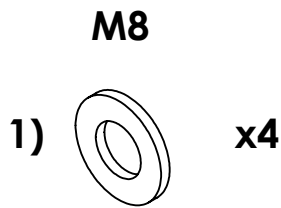
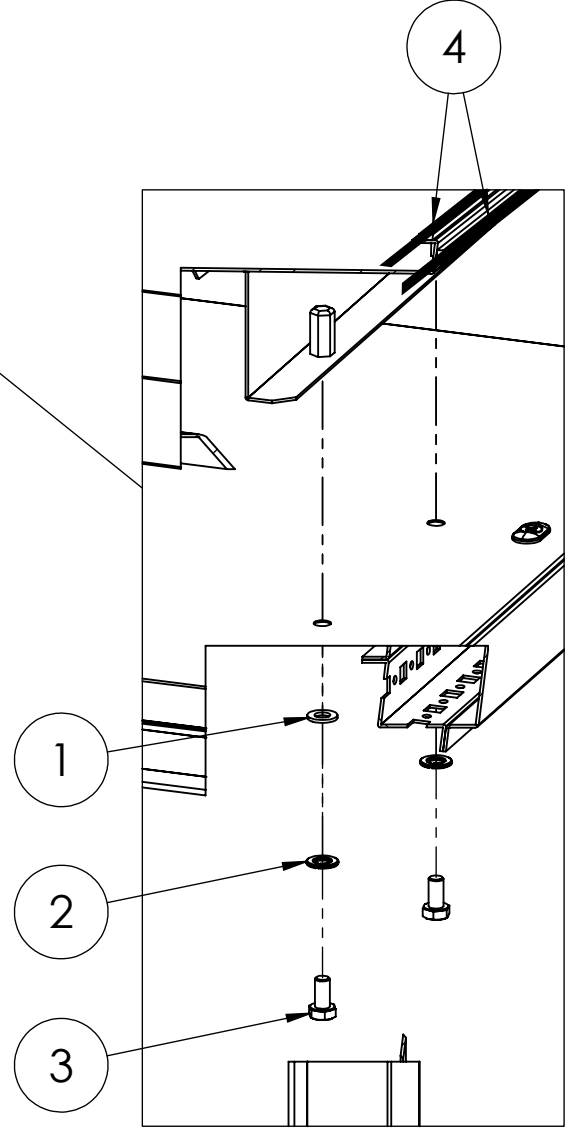
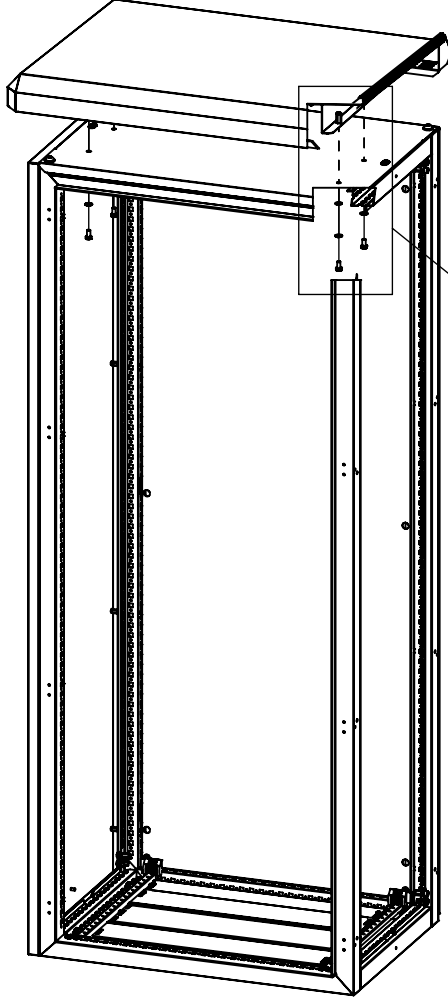
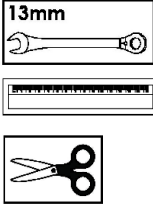
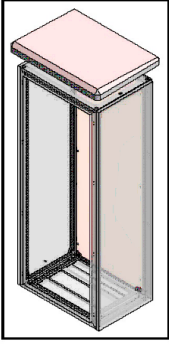
2)  **x16**



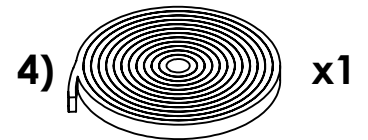
ÇATI TEK MODÜL MONTAJ
ROOF SINGLE MODULE ASSEMBLY



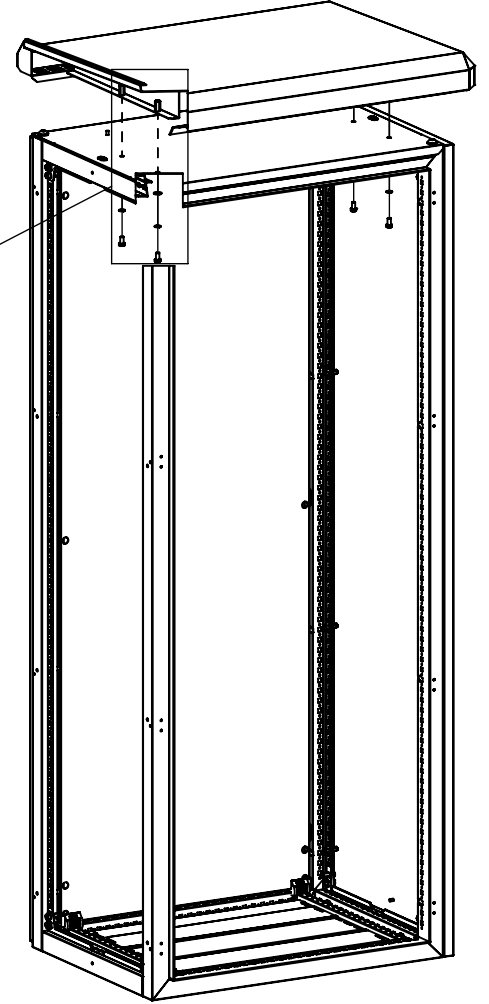
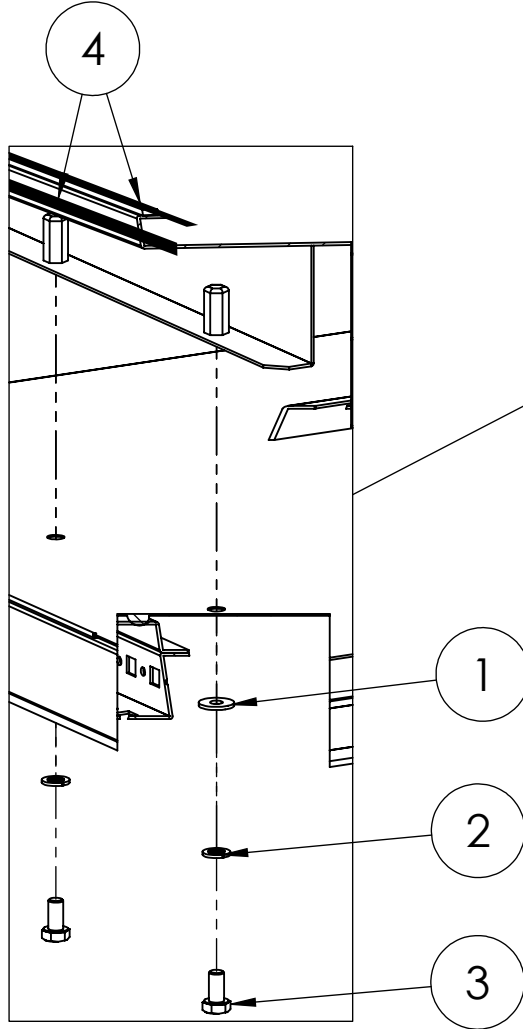
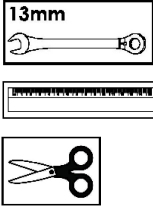
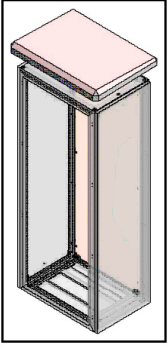
ÇATI SOL MODÜL MONTAJ
ROOF LEFT MODULE ASSEMBLY



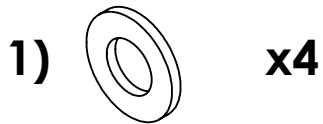
3x7 POLIETİLEN CONTA
3x7 POLYETHYLENE GASKET



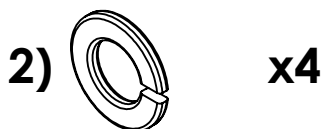
ÇATI SAĞ MODÜL MONTAJ ROOF RIGHT MODULE ASSEMBLY



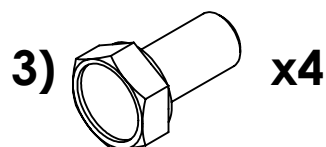
M8



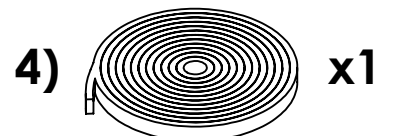
M8



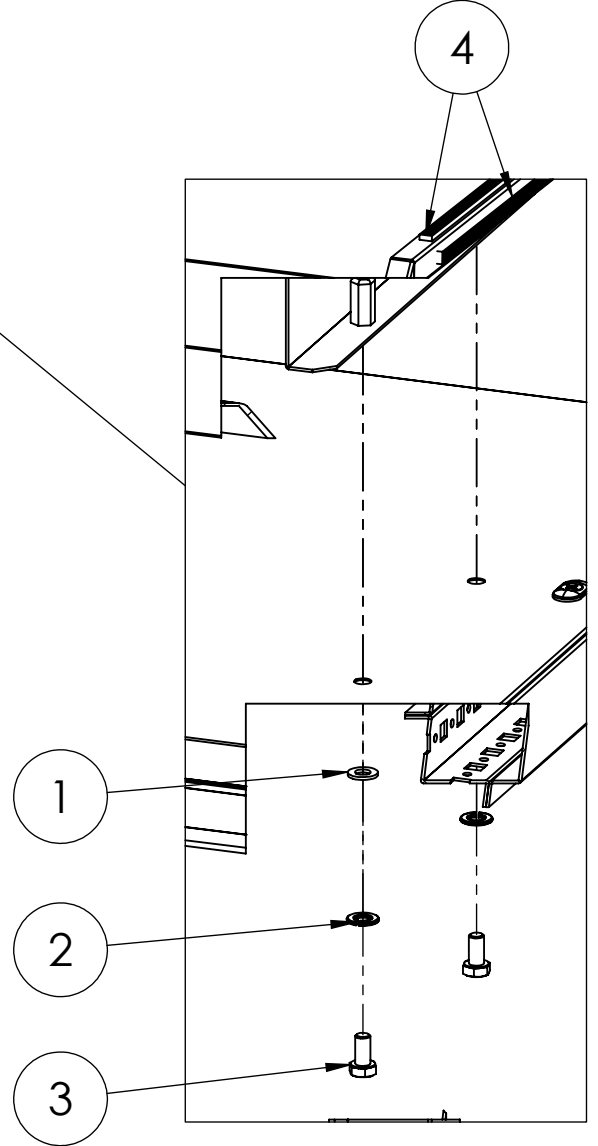
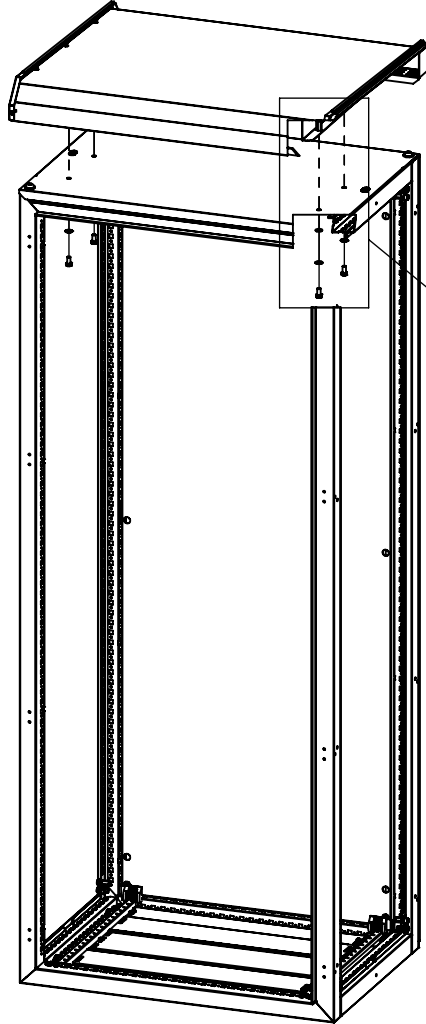
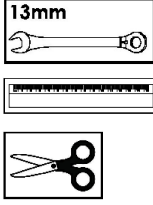
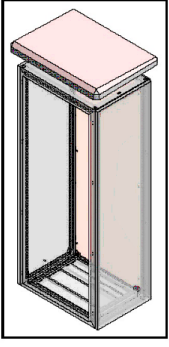
M8x16



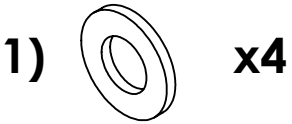
3x7 POLİETİLEN CONTA
3x7 POLYETHYLENE GASKET



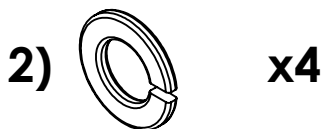
ÇATI ORTA MODÜL MONTAJ
ROOF MIDDLE MODULE ASSEMBLY



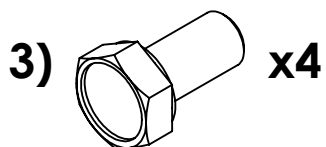
M8



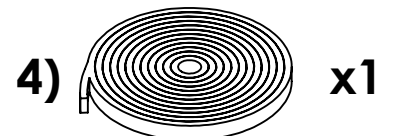
M8



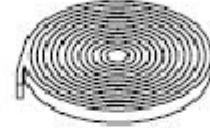
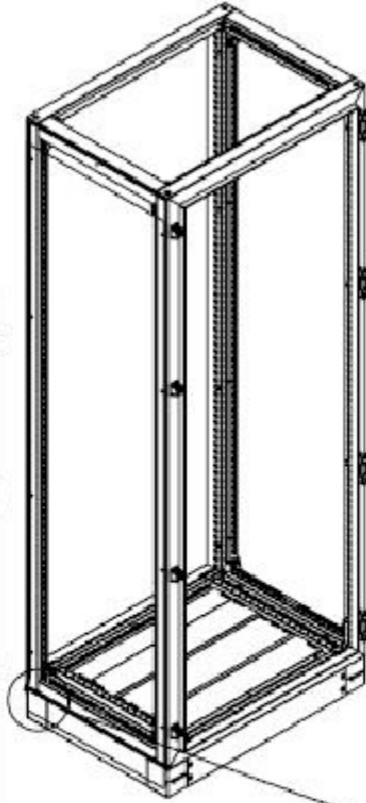
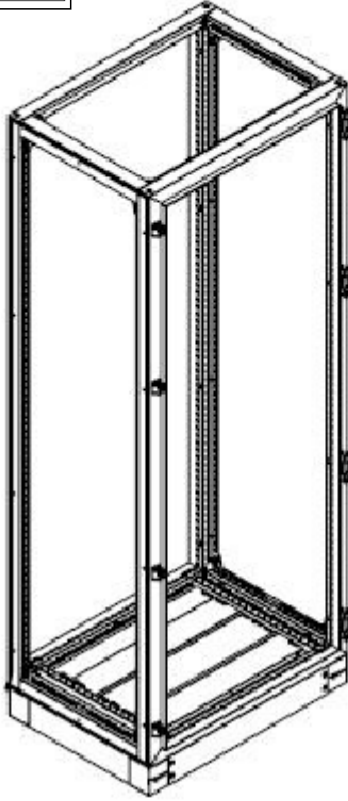
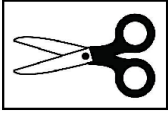
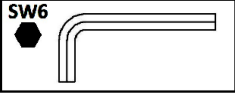
M8x16



3x7 POLİETİLEN CONTA
3x7 POLYETHYLENE GASKET

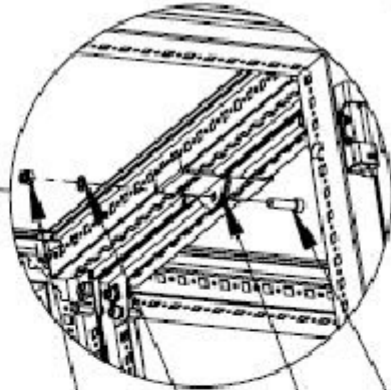
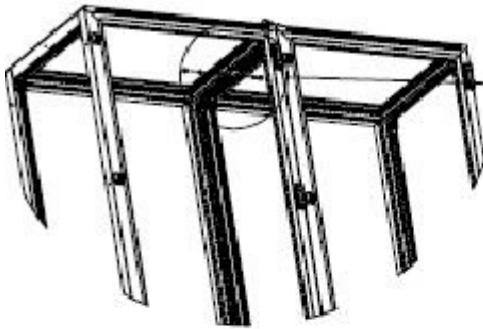
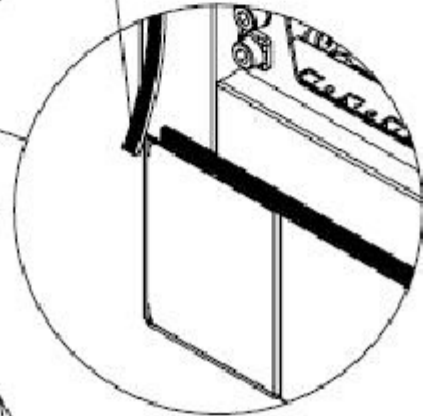


BİRLEŞİM KİTİ MONTAJ BAYING KIT ASSEMBLY



1) 1 pcs.

1



5 4 2 3

5 4 2 3



2) 4 pcs.



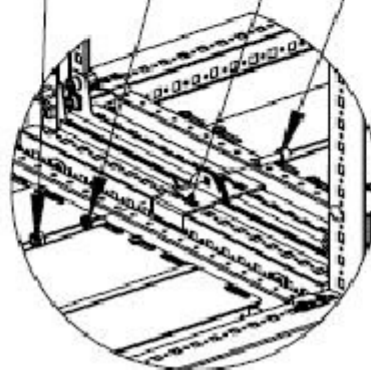
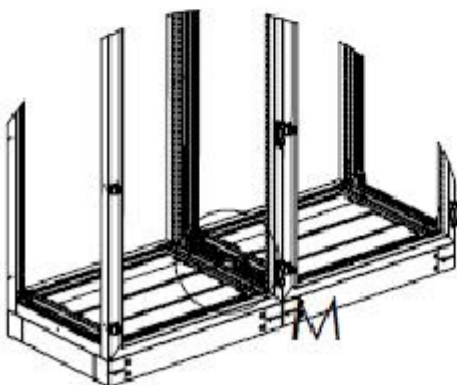
3) M8x30 2 pcs.



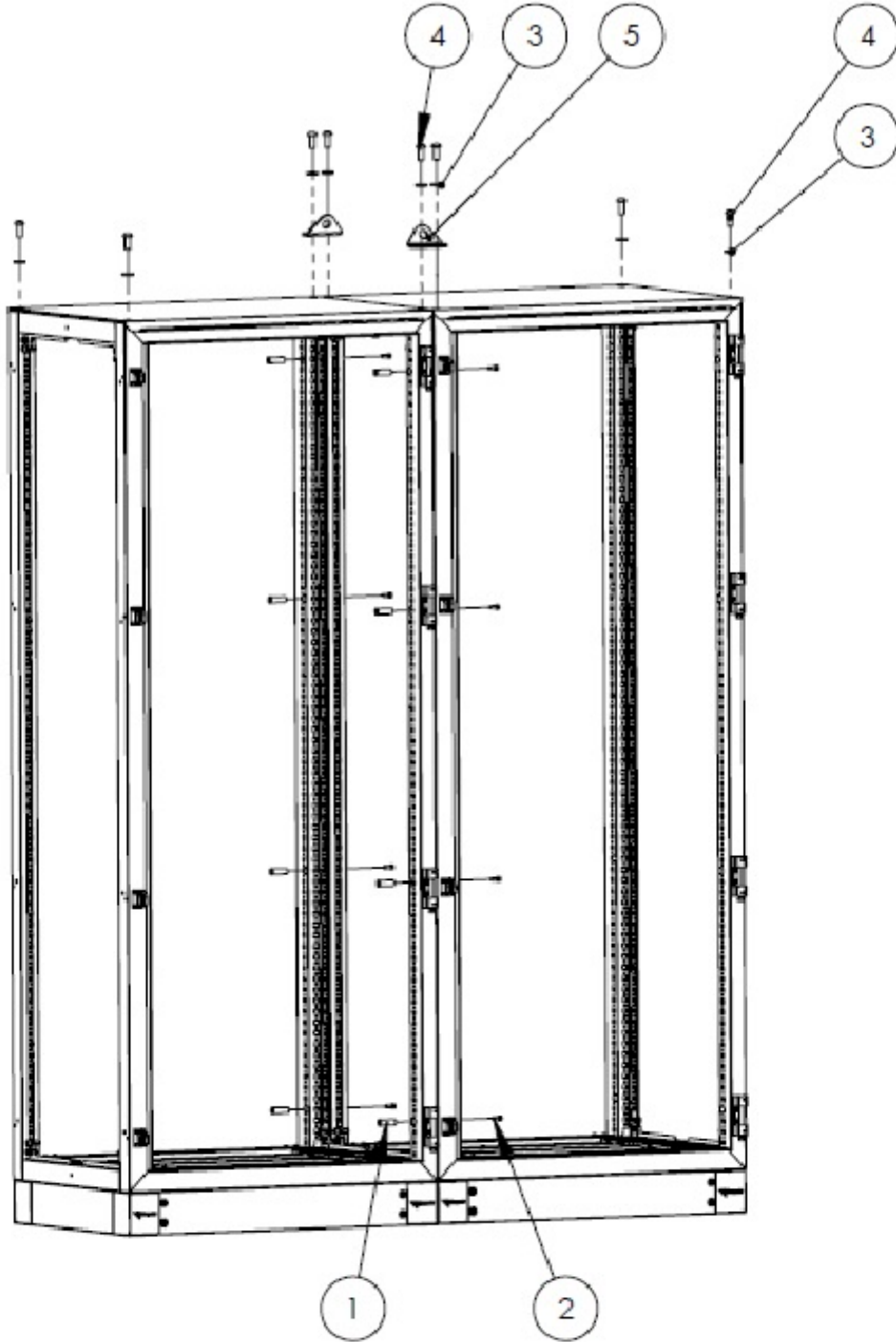
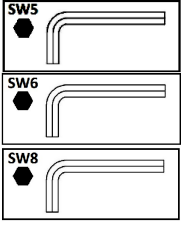
4) M8 2 pcs.



5) M8 2 pcs.



BİRLEŞİM KİTİ MONTAJ BAYING KIT ASSEMBLY



1) M6 8 pcs.



4) M12x30 8 pcs.



2) M6x16 8 pcs.

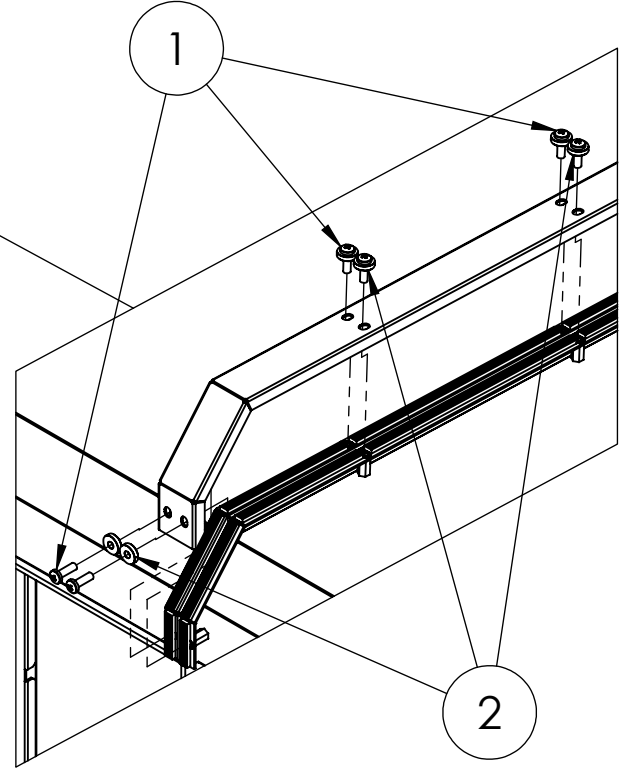
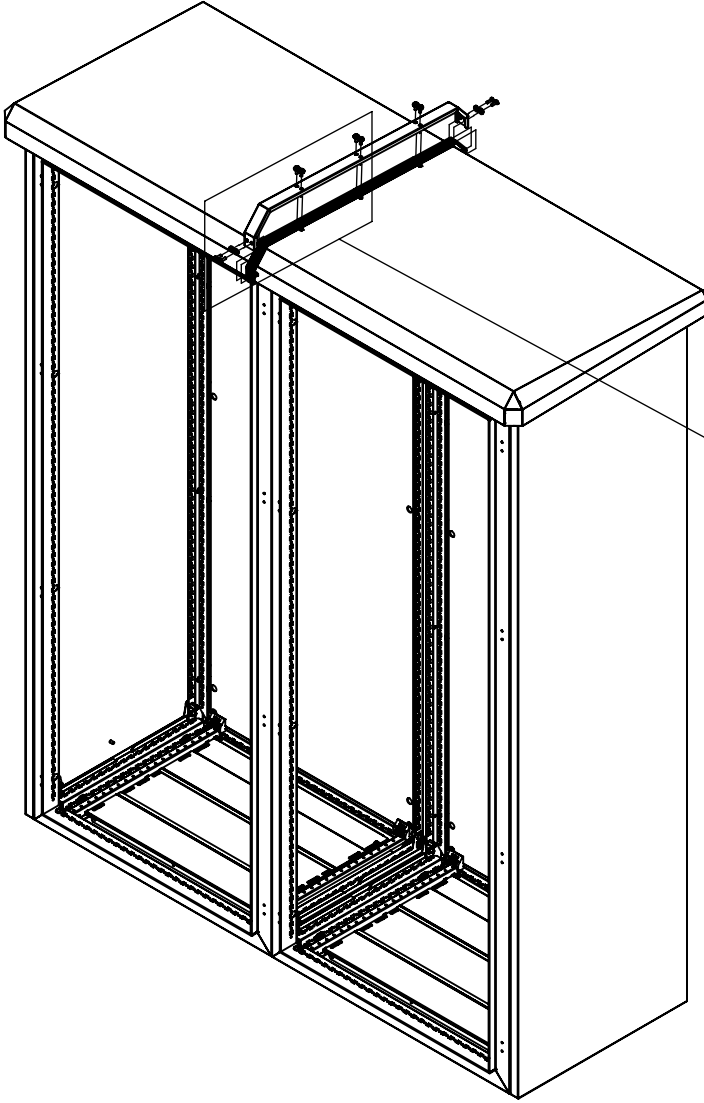


5) 2 pcs.

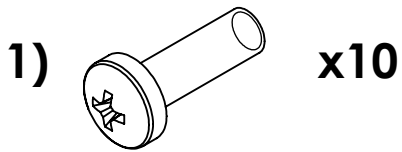


3) M12x16 8 pcs.

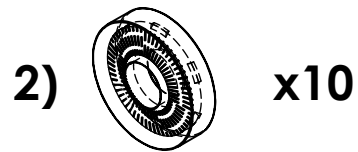
2 ÇATI BİRLEŞİM MONTAJ
ROOF ASSEMBLING FOR 2 UNITS



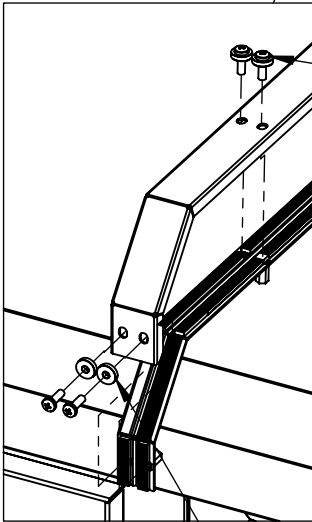
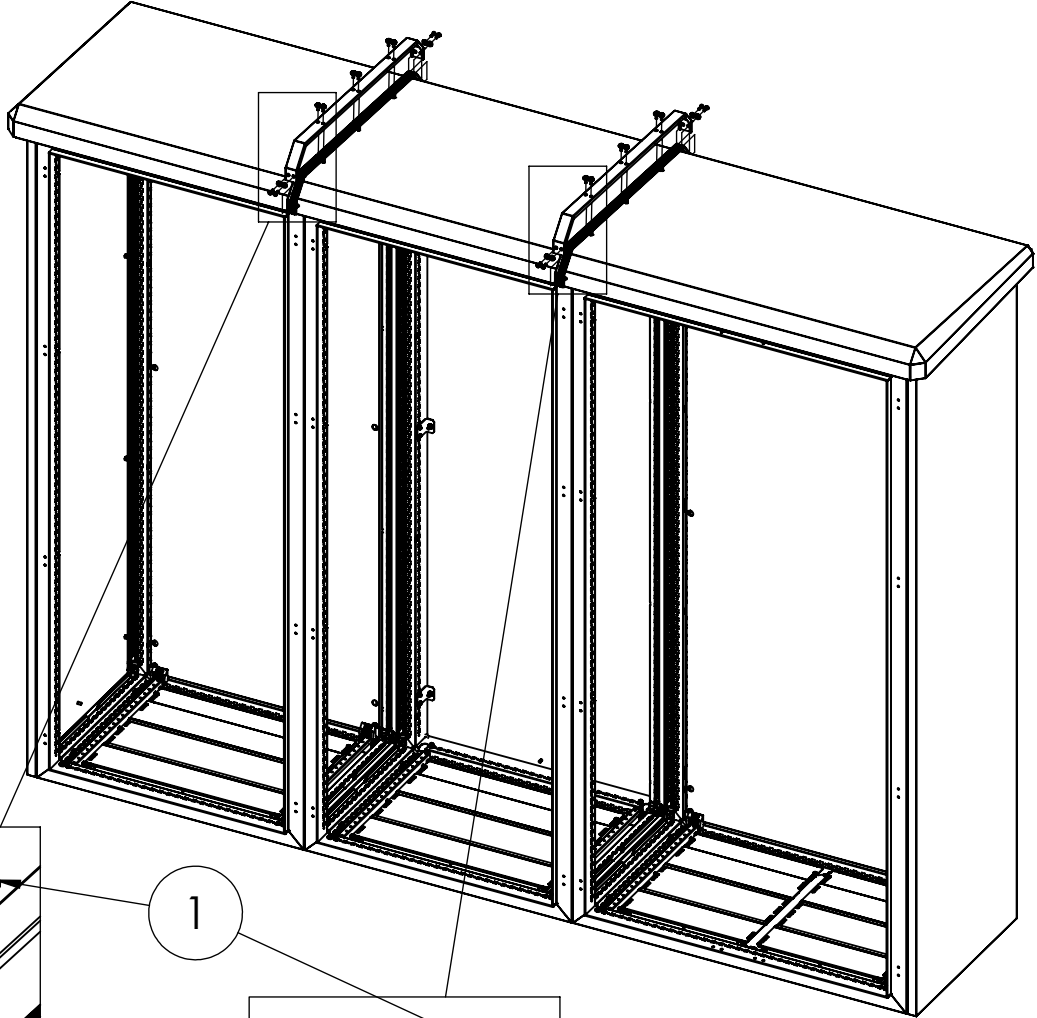
M5x14



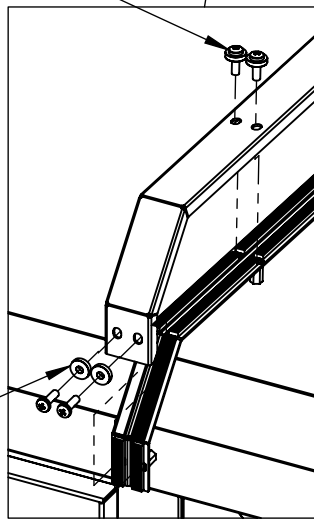
M5



3 ÇATI BİRLEŞİM MONTAJ
ROOF ASSEMBLING FOR 3 UNITS



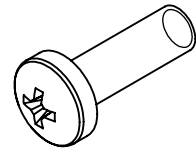
1



2

M5x14

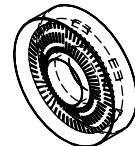
1)



x10

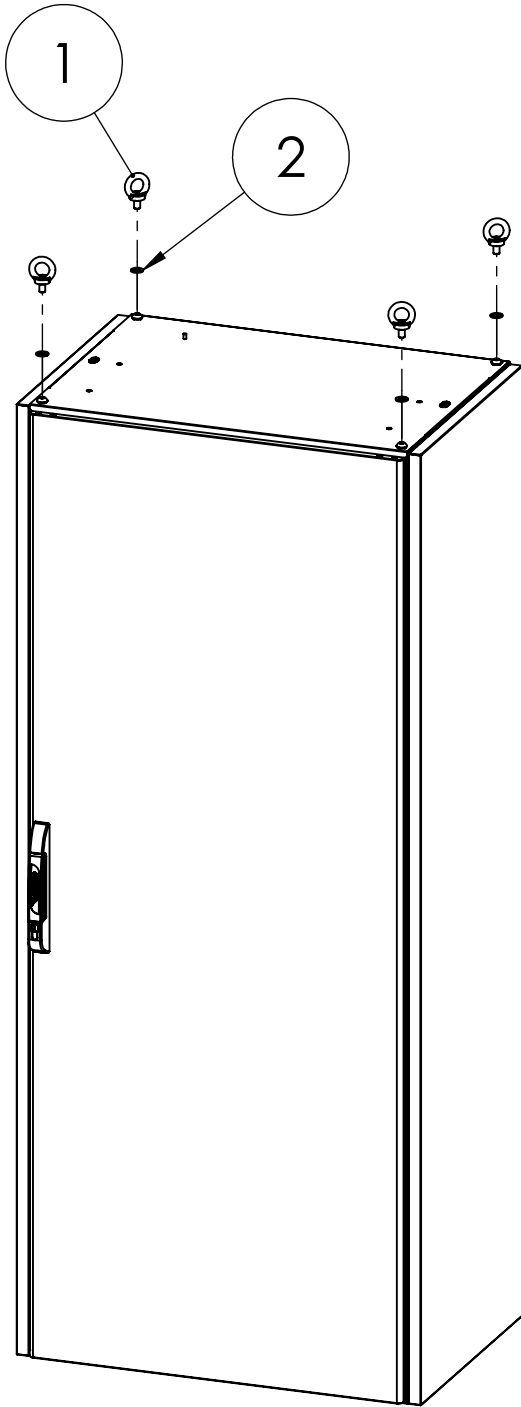
M5

2)



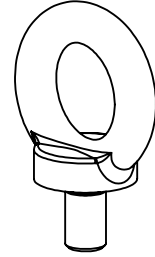
x10

KALDIRMA KANCASI MONTAJ
EYEBOLT ASSEMBLY



M12

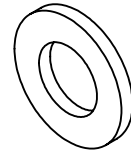
1)



x4

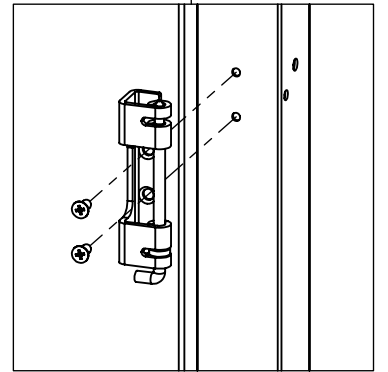
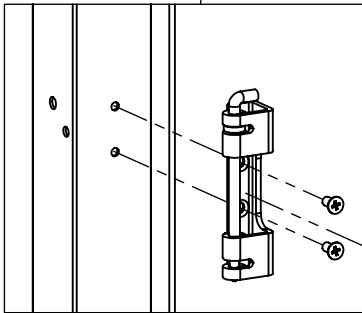
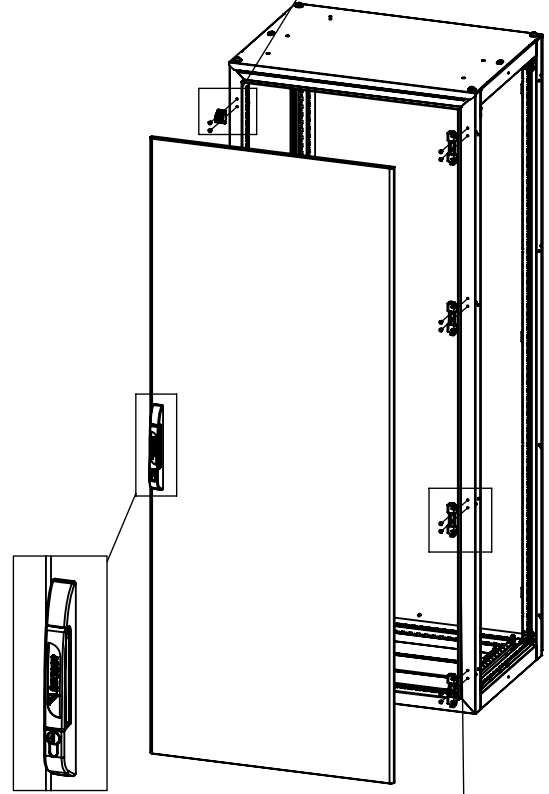
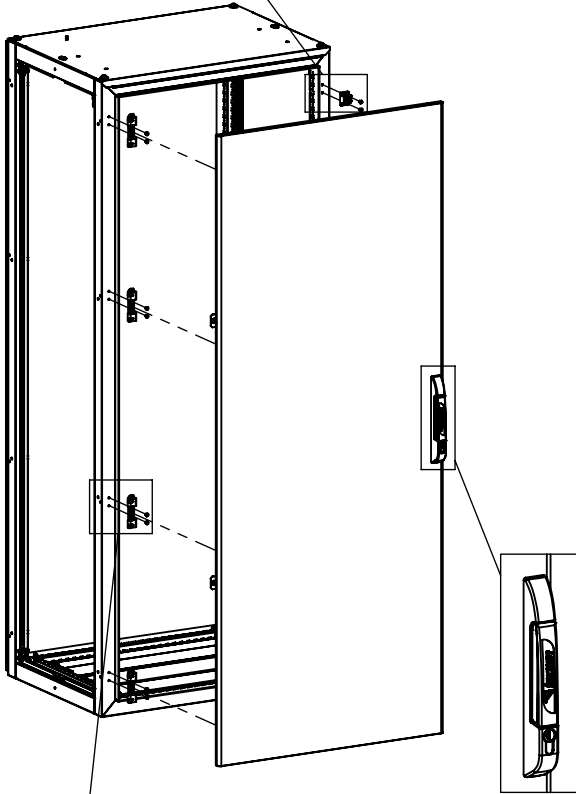
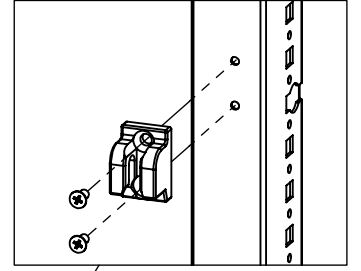
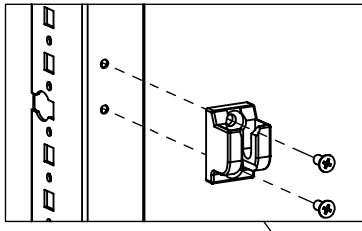
M12

2)



x4

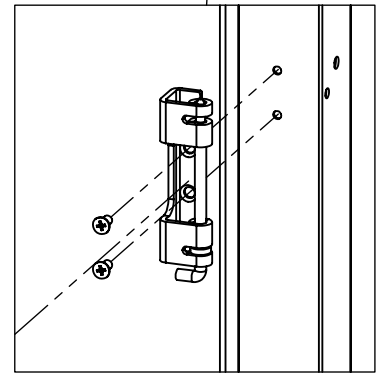
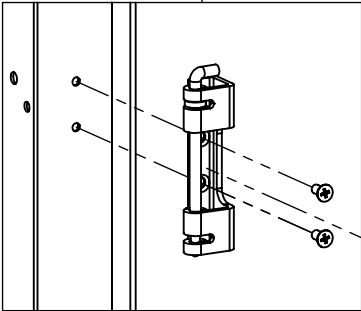
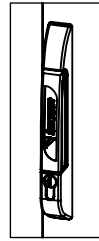
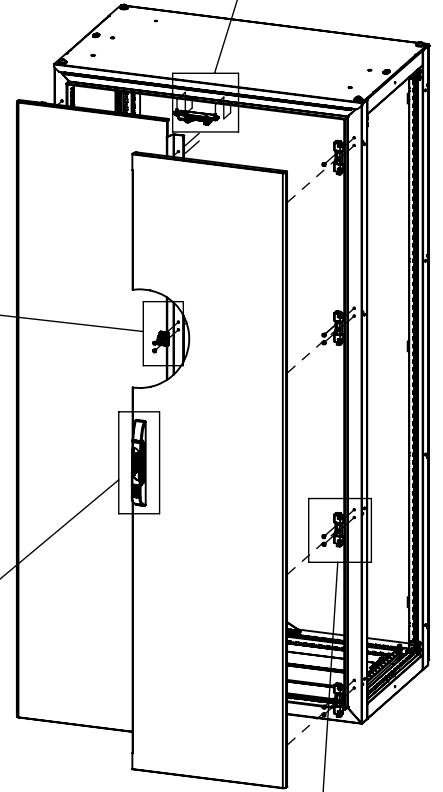
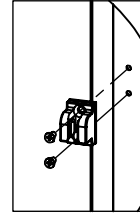
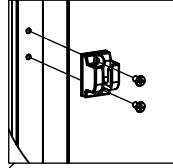
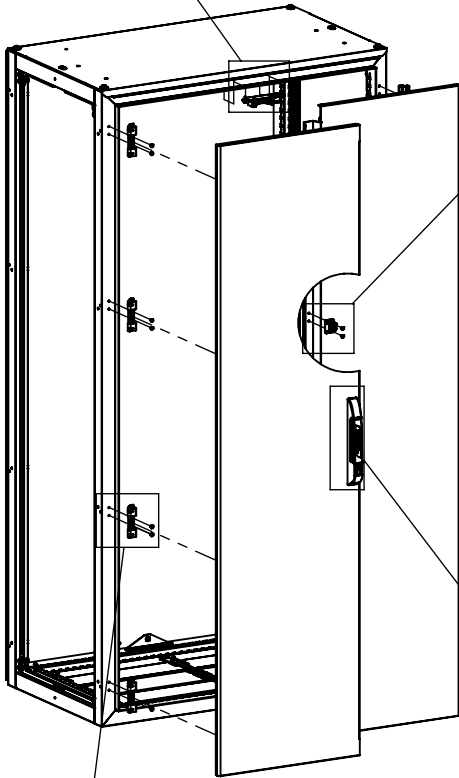
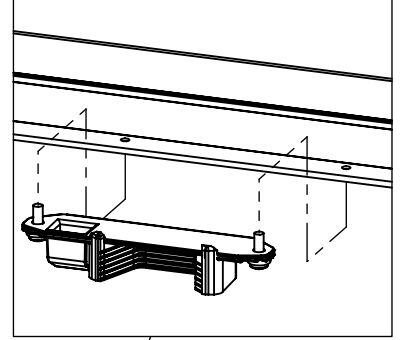
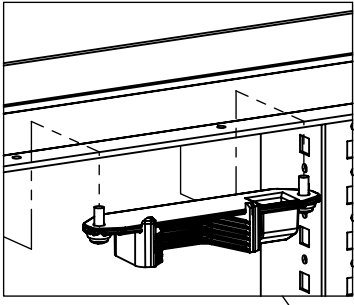
TEK KAPI YÖN DEĞİŞTİRME CHANGING SINGLE DOOR OPENING DIRECTION



KİLİT ARKA GÖRÜNÜM
BACK SIDE VIEW OF THE LOCK

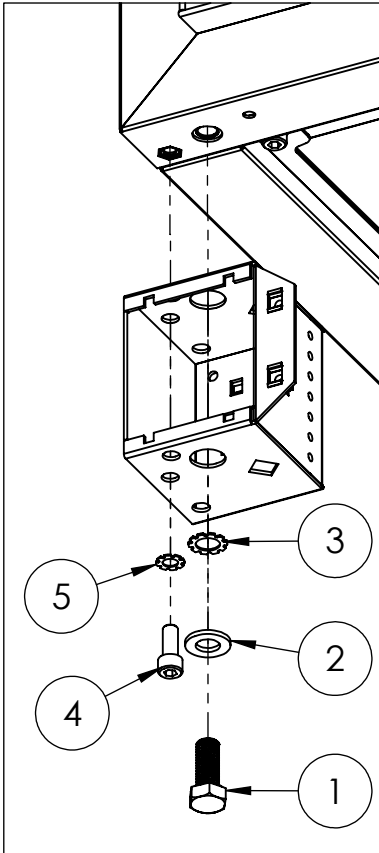
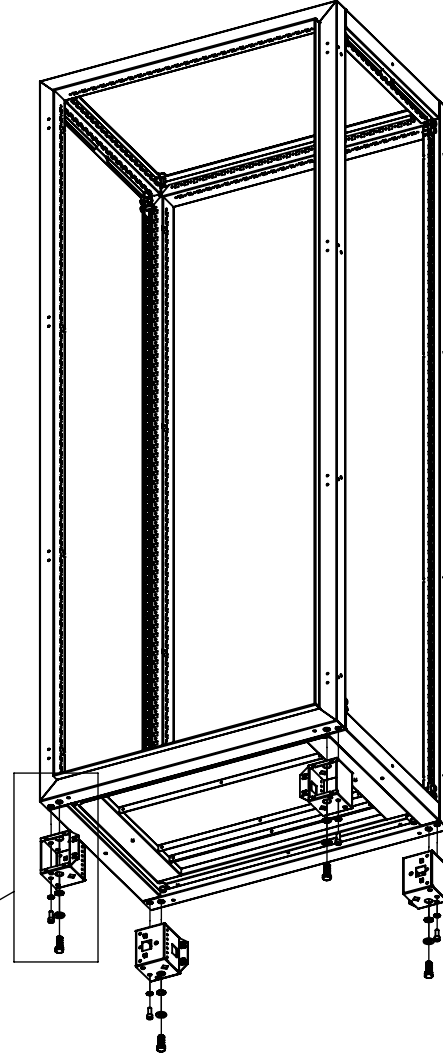
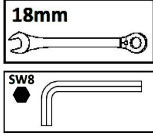
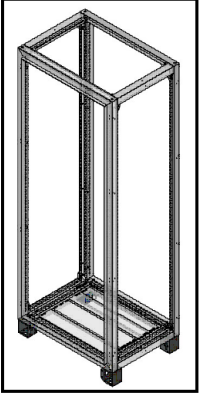
KİLİT ARKA GÖRÜNÜM
BACK SIDE VIEW OF THE LOCK

ÇİFT KAPI YÖN DEĞİŞTİRME CHANGING DOUBLE DOOR OPENING DIRECTION



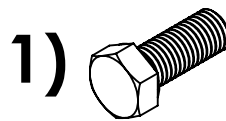
KİLİT ARKA GÖRÜNÜM KİLİT ARKA GÖRÜNÜM
BACK SIDE VIEW OF THE LOCK BACK SIDE VIEW OF THE LOCK

BAZA KÖŞESİ MONTAJ PLINTH CORNER PARTS ASSEMBLY

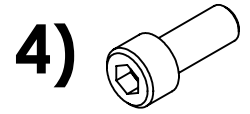


M12x30

M8x16

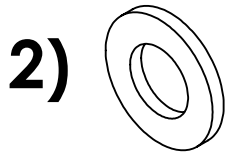


x4



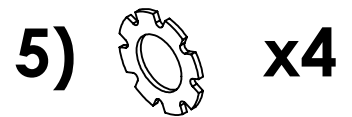
x4

M12



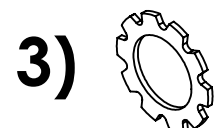
x4

M8



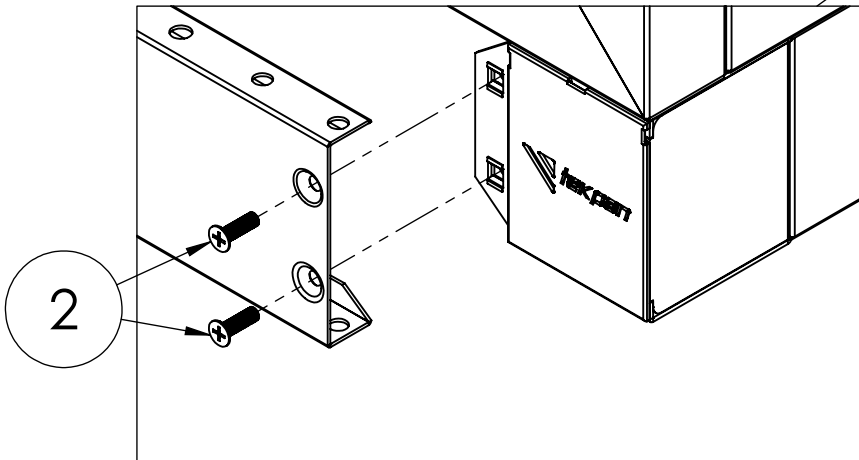
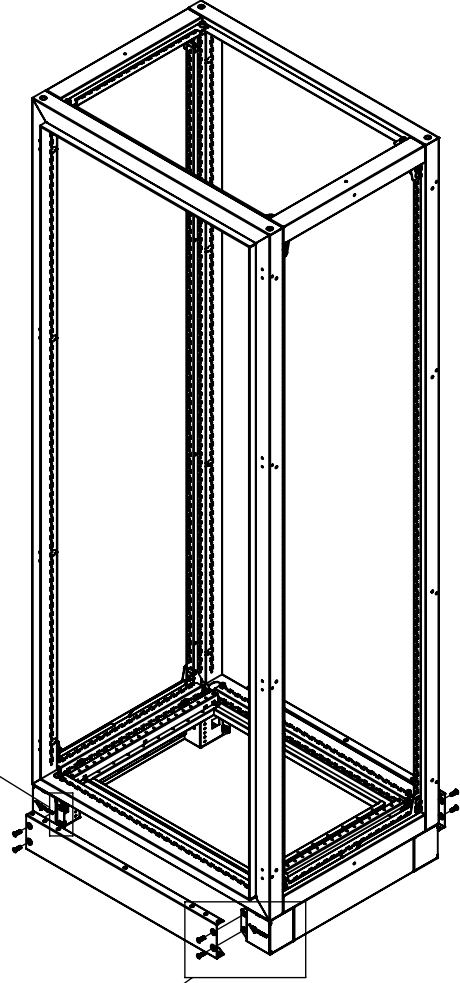
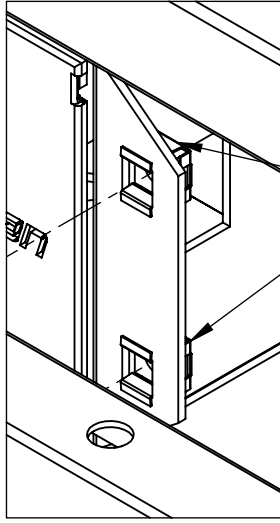
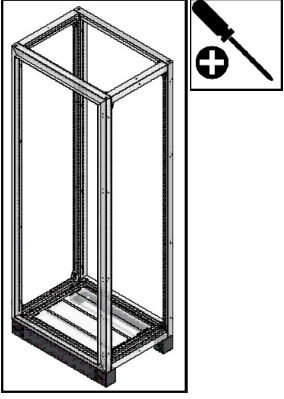
x4

M12

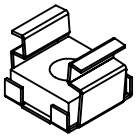


x4

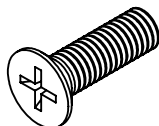
BAZA ÖN & ARKA KAPAK MONTAJ
PLINTH FRONT & BACK COVER PARTS ASSEMBLY

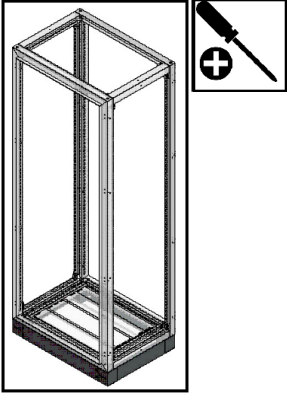


M6

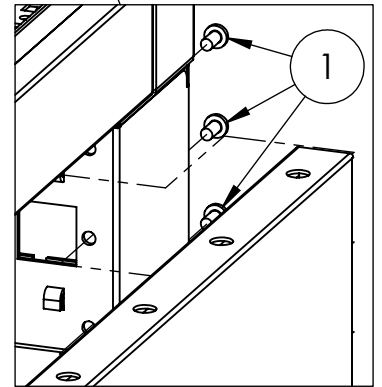
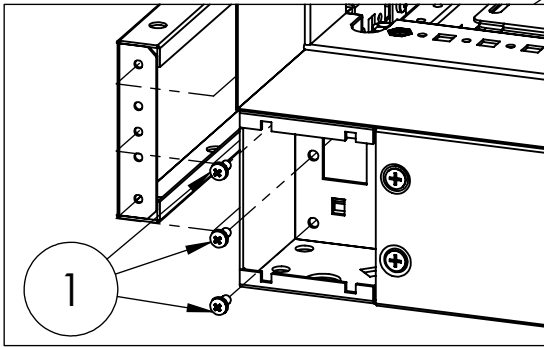
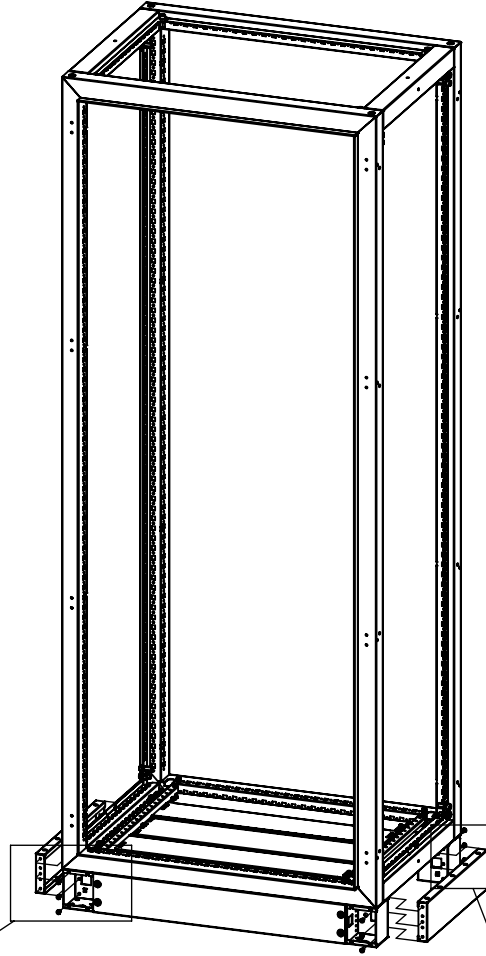
1)  x8

M6x20


2)  x8



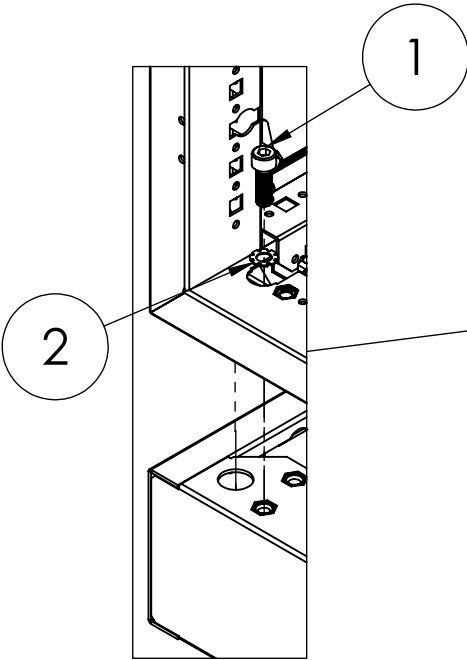
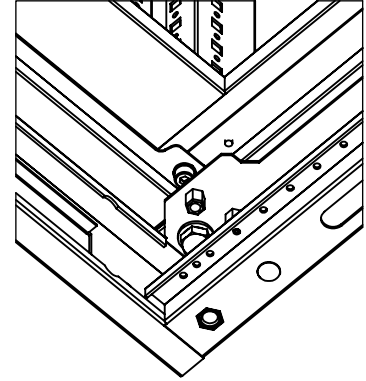
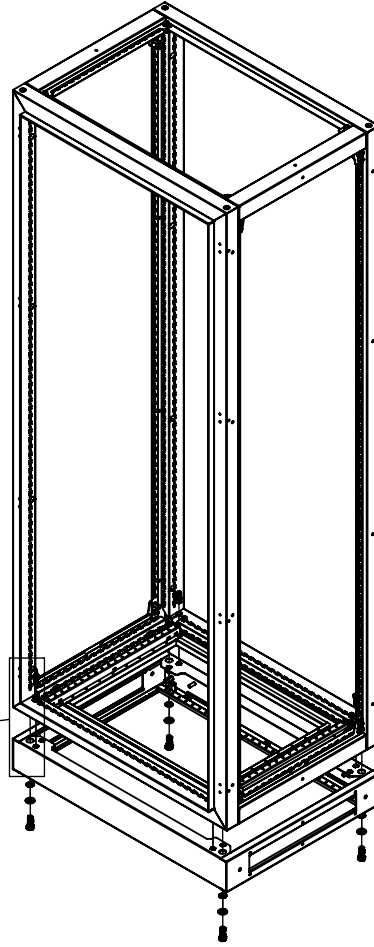
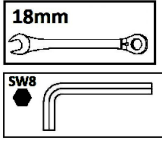
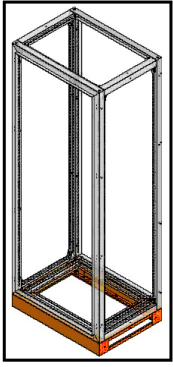
BAZA YAN KAPAK MONTAJ PLINTH SIDE COVERS ASSEMBLY



M5x10

1)  **x12**

SABİT BAZA MONTAJ
FIXED PLINTH ASSEMBLY



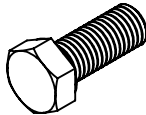
M8x25

1)  **x4**

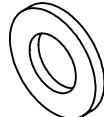
M8

2)  **x4**

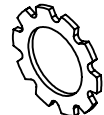
M12x30

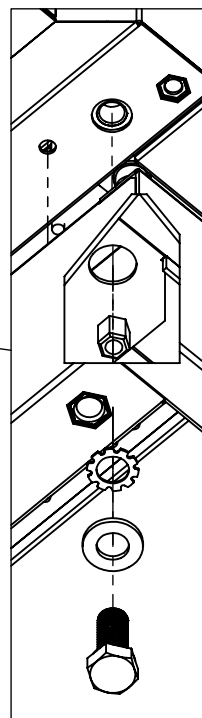
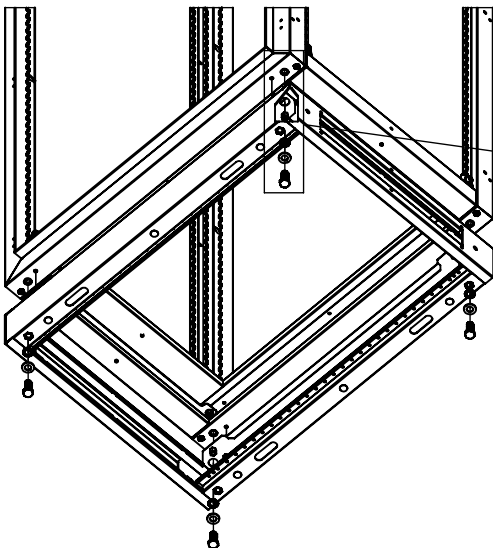
3)  **x4**

M12

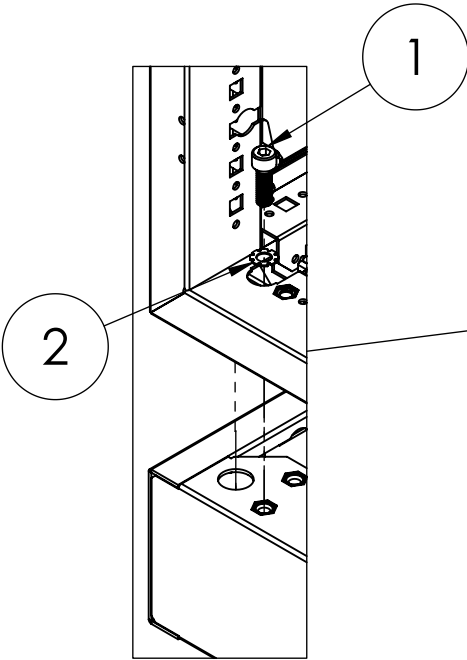
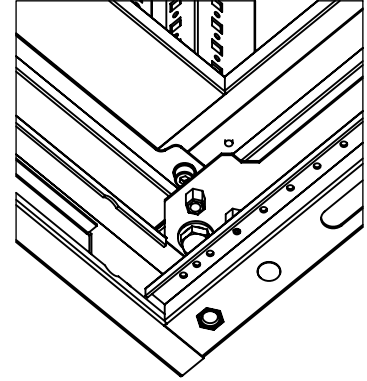
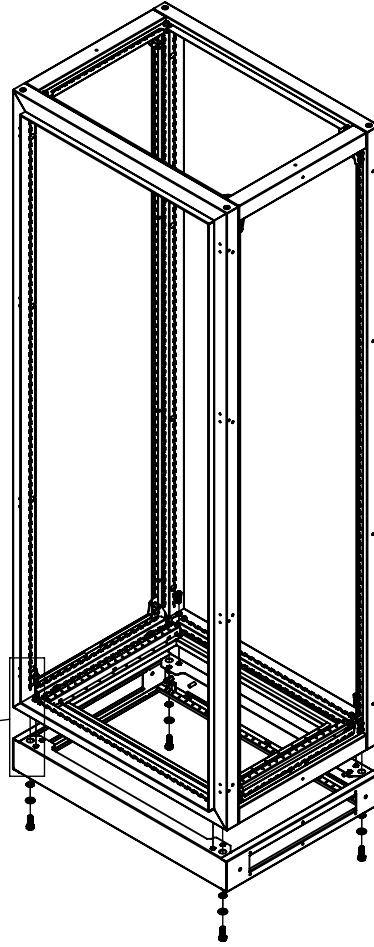
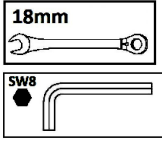
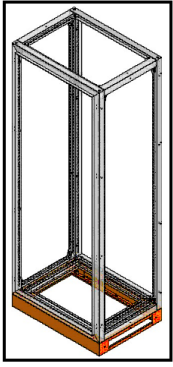
4)  **x4**

M12

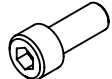
5)  **x4**




BLOK BAZA MONTAJ
BLOCK PLINTH ASSEMBLY



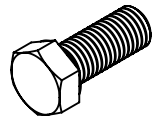
M8x25

1)  **x4**

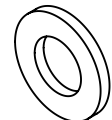
M8

2)  **x4**

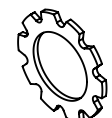
M12x30

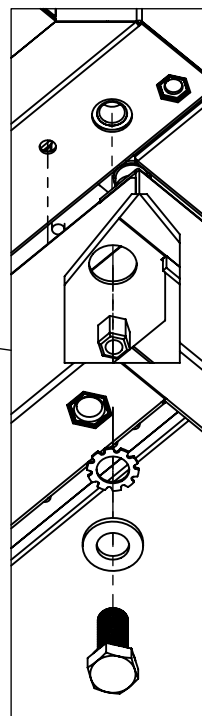
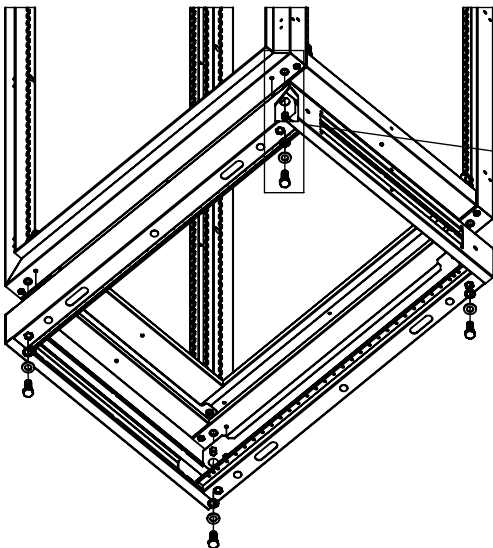
3)  **x4**

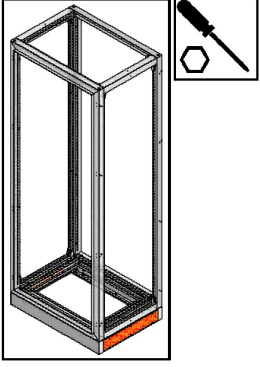
M12

4)  **x4**

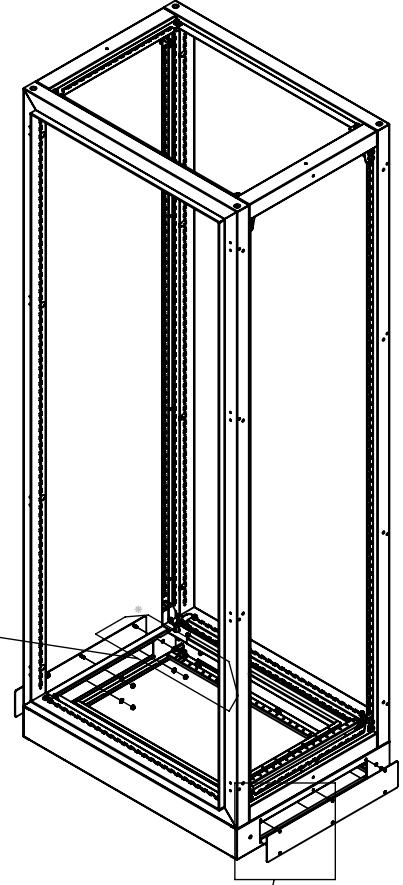
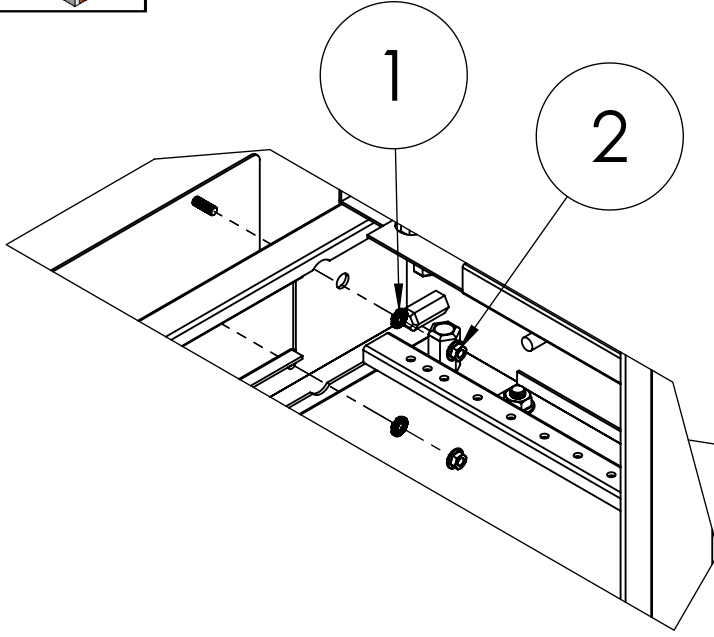
M12

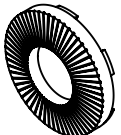
5)  **x4**




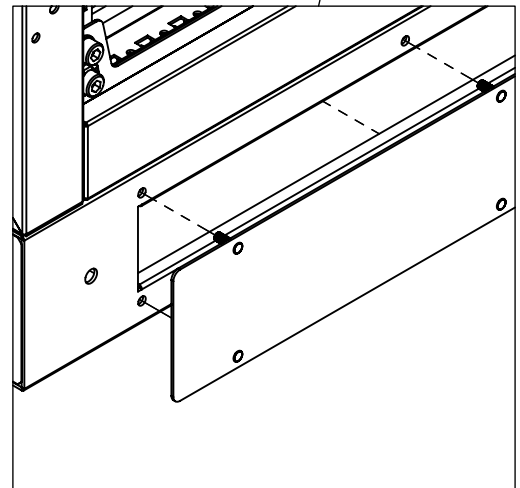


BLOK BAZA YAN KAPAK MONTAJ
BLOCK PLINTH SIDE COVER ASSEMBLY



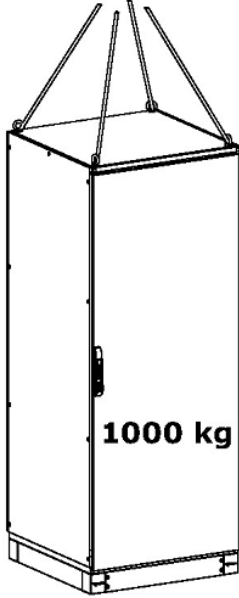
1) **M5**
 **100H / 200H**
x12 / x16

2) **M5**
 **100H / 200H**
x12 / x16

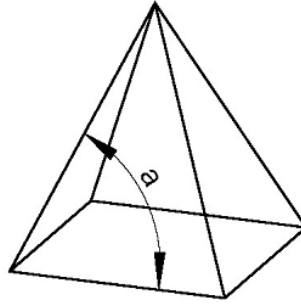
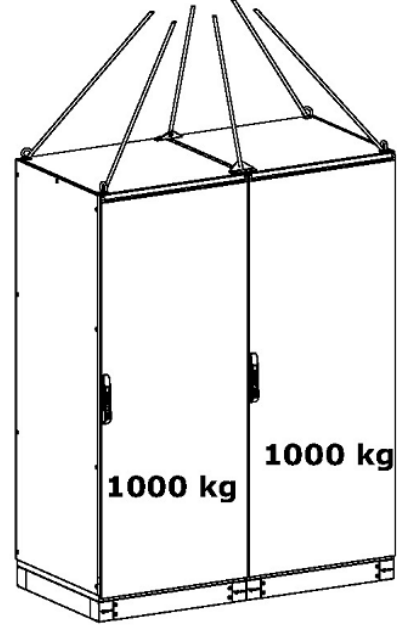


TAŞIMA BİLGİLERİ
TRANSPORT INFORMATION

1000 kg

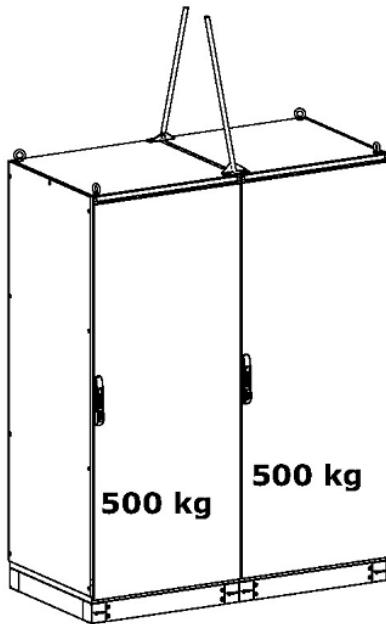


2000 kg

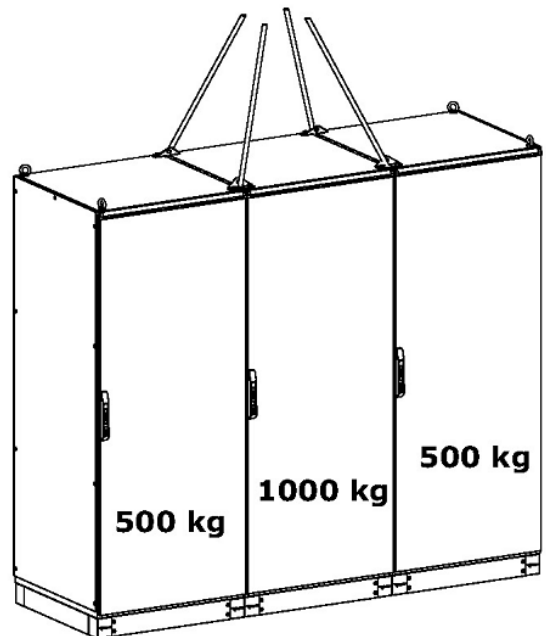


IDEAL $\alpha \geq 90^\circ$
MIN $\alpha \geq 75^\circ$

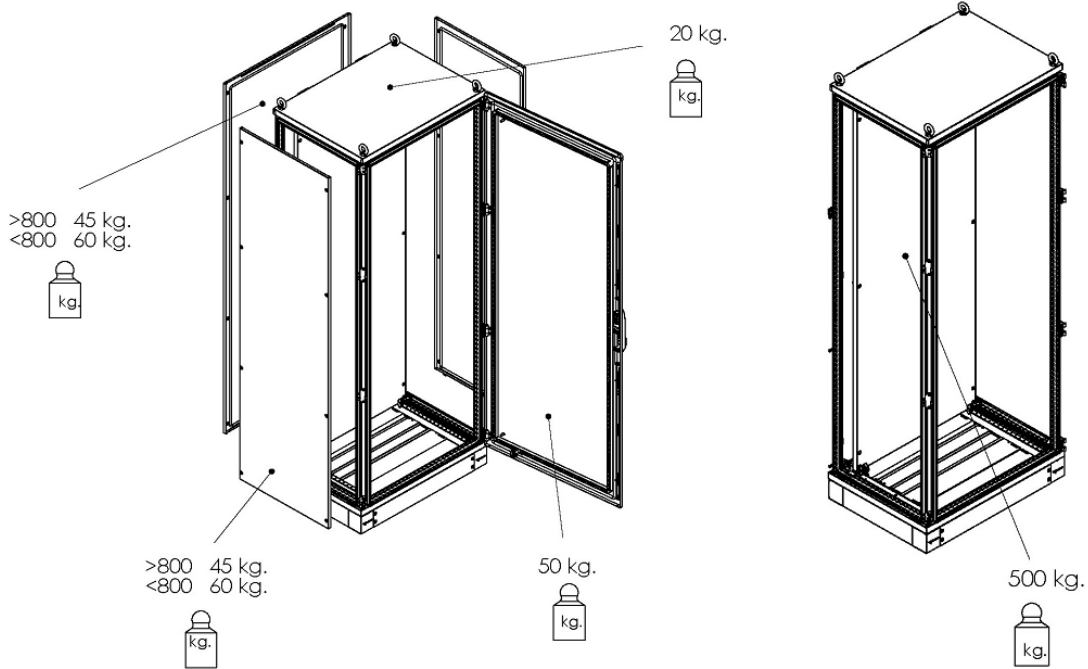
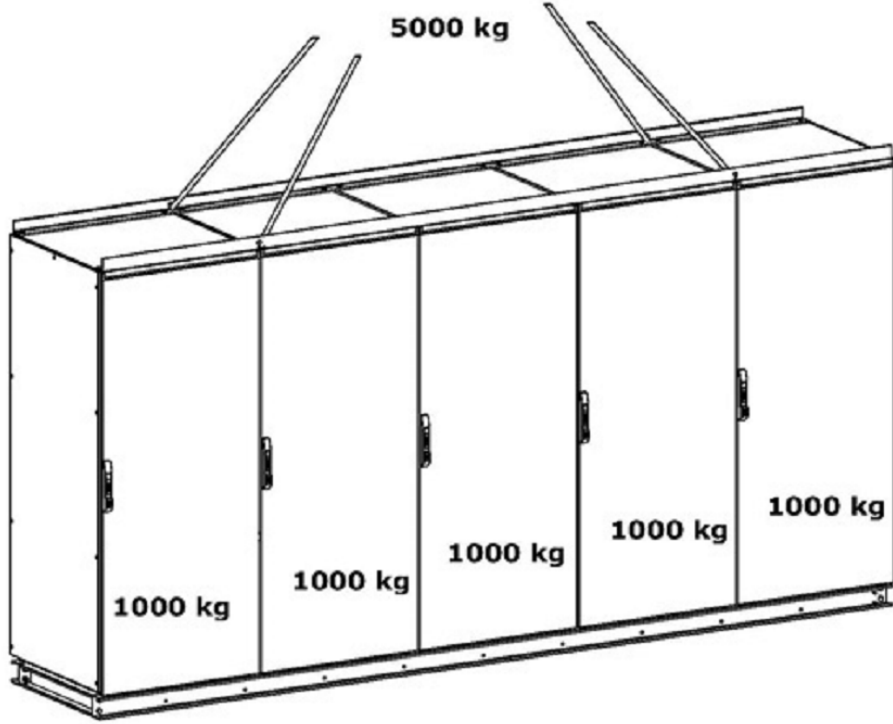
1000 kg



2000 kg



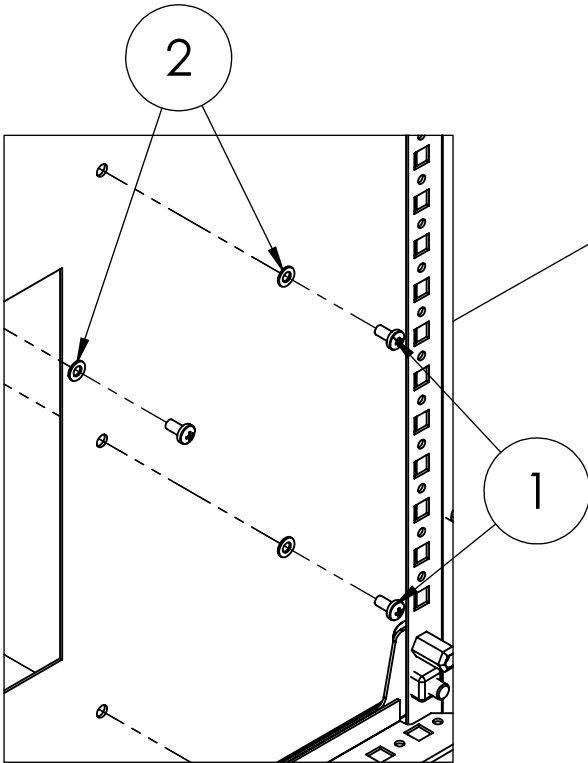
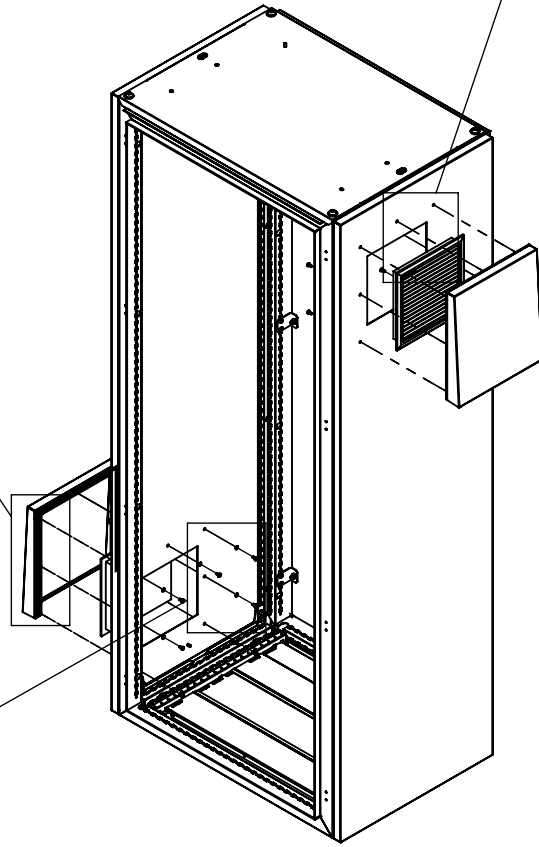
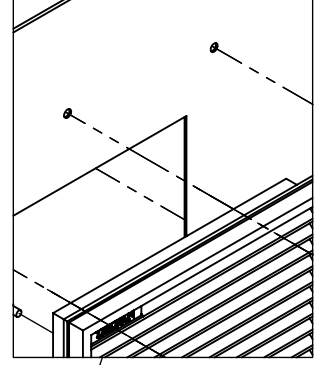
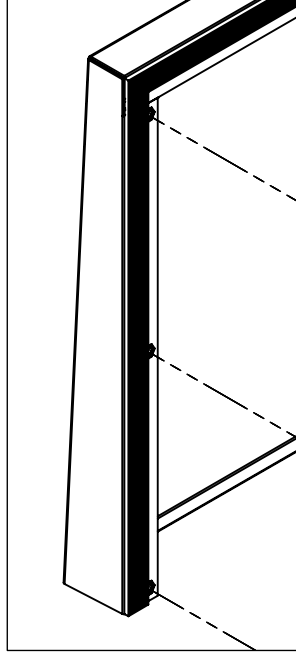
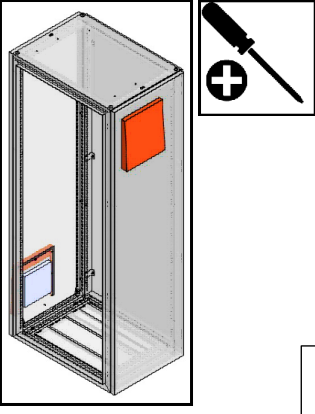
TAŞIMA BİLGİLERİ TRANSPORT INFORMATION



* Kesilebilir atkı sistemi kullanılarak 500 kg. ek yük montaj edilebilir.

* By using plug-in rail brackets and scissile rails inside the enclosure extra 500 kg. can be loaded.

YAĞMURLUK MONTAJ
RAIN CANOPY ASSEMBLY




1 ADET YAĞMURLUK İÇİN
FOR 1 PCS. RAIN CANOPY

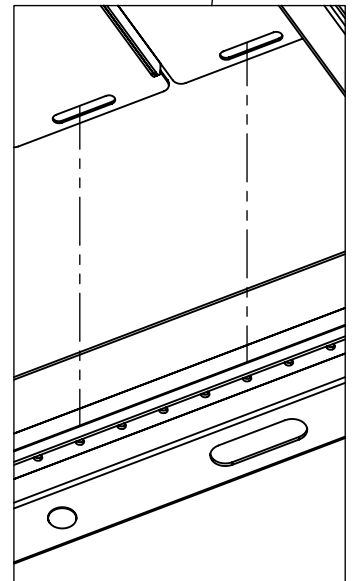
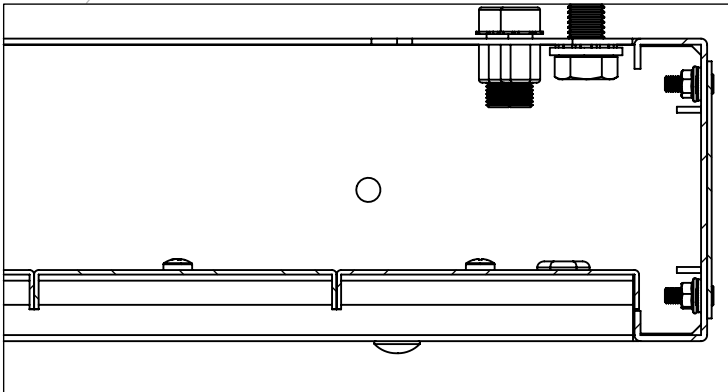
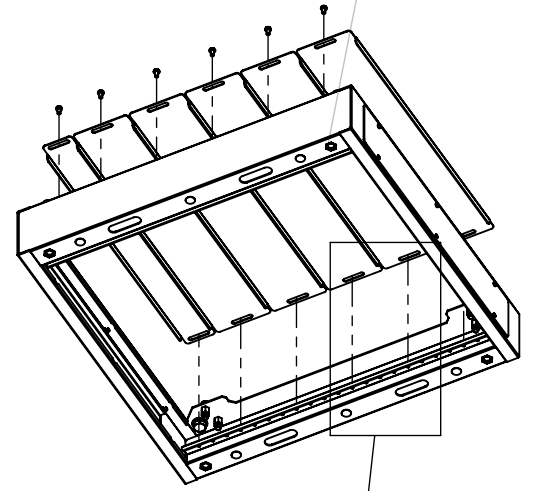
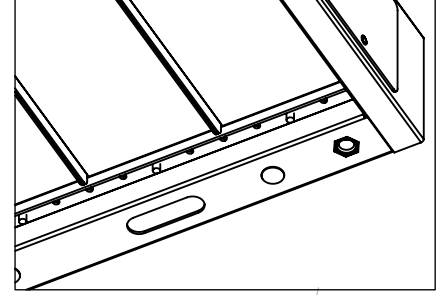
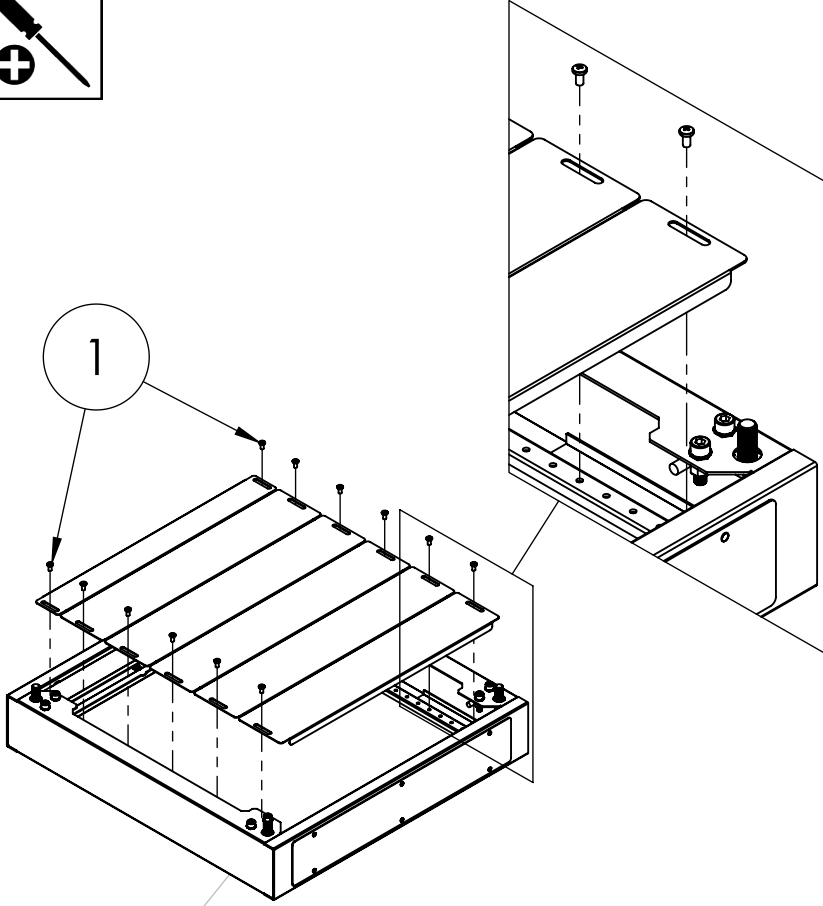
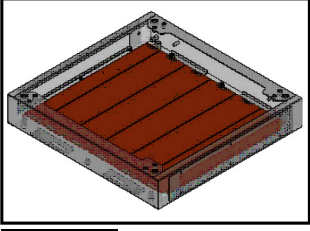
M5x10


1)  x7

M5

2)  x7

BLOK BAZA TABAN KAPAMA MONTAJ
BLOCK PLINTH BASE COVER ASSEMBLY



1)  x2