

DOKÜMAN NO	KYT- 050
REV. NO	3
SAYFA	80/1

TEOS plus+

TEOS SERİSİ MONTAJ TALİMATI

TEOS SERIE ASSEMBLING INSTRUCTION



DOKÜMAN NO	KYT- 050
REV. NO	3
SAYFA	80/2



DOKÜMAN NO	KYT- 050
REV. NO	3
SAYFA	80/3

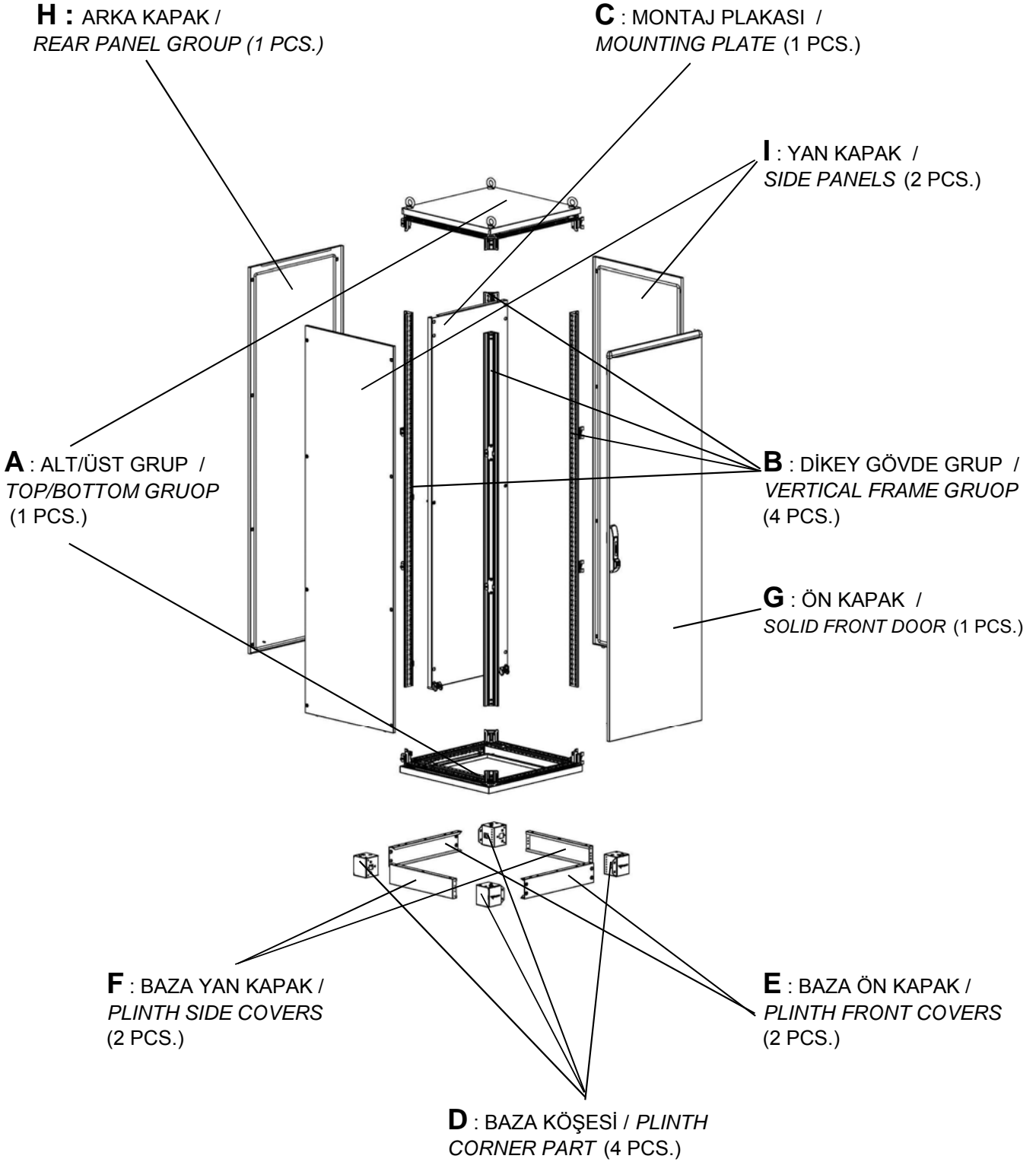
SAYFA İNDEKSİ / PAGE INDEX

-	<i>PAKET İÇERİĞİ</i>	5-8
-	PACKAGE CONTENTS	
-	<i>TABAN SİSTEMİ / ALT KAPAK MONTAJI</i>	9
-	BASE SYSTEM/ GLAND PLATE ASSEMBLING	
-	<i>BAZA KÖŞESİ MONTAJI.</i>	10
-	BASE / PLINTH CORNER PARTS ASSEMBLING .	
-	<i>ALT GRUP BAZA MONTAJI</i>	11
-	INSTALL BASE BOTTOM-GROUP	
-	<i>BAZA ÖN KAPAKLARI VE YAN KAPAKLARI MONTAJI.</i>	12
-	BASE / PLINTH FRONT COVERS AND SIDE COVERS ASSEMBLING.	
-	<i>ALT KAPAK CONTALAMASI</i>	13
-	GLAND PLATE GASKETINNG	
-	<i>ÜST KAPAK MONTAJ</i>	14
-	TOP COVER ASSEMBLING	
-	<i>GÖVDE VE MONTAJ PARÇALARI MONTAJI</i>	15-18
-	FRAME PARTS ASSEMBLING	
-	<i>MONTAJ PLAKASI MONTAJI</i>	19-24
-	MOUNTING PLATE ASSEMBLING	
-	<i>KISA MONTAJ PLAKASI UYGULAMASI</i>	25
-	SHORT MOUNTING PLATE APPLICATION	
-	<i>MONTAJ PLAKASI SIRTA DAYAMA SİSTEMİ</i>	26-27
-	MOUNTING PLATE LEANING SYSTEM	
-	<i>MONTAJ PLAKASI ORTADAN DESTEK</i>	28
-	MIDDLE SUPPORT MOUNTING PLATE	
-	<i>MONTAJ PLAKASI KENAR UZATMA</i>	29
-	MOUNTING PLATE FOR CORNER EXTENSION	
-	<i>ARKA KAPAK MONTAJI</i>	30
-	REAR PANEL ASSEMBLING	
-	<i>ÖN KAPAK MONTAJI</i>	31-35
-	FRONT DOOR ASSEMBLING	
-	<i>ÖN KAPAK YÖN DEĞİŞTİRME</i>	36
-	FRONT COVER CHANGE DIRECTION	
-	<i>YAN KAPAK MONTAJI</i>	37
-	SIDE PANELS ASSEMBLING	
-	<i>BİRLEŞTİRME SİSTEMİ</i>	38-42
-	BAYING SYSTEM	
AKSESUARLAR / ACCESORIES		
-	<i>AYARLI AYAK MONTAJI</i>	43
-	LEVELING FEET ASSEMBLING	
-	<i>KABLO TUTUCU PROFİL MONTAJI</i>	43
-	CABLE CLAMP RAIL ASSEMBLING	
-	<i>SÜNGERLİ KABLO GİRİŞ MONTAJI</i>	44
-	FOAM GASKET GLAND ASSEMBLING	
-	<i>FIRÇALI KABLO GİRİŞ MONTAJI</i>	44
-	BRUSHED GLAND ASSEMBLING	
-	<i>ARA MONTAJ PLAKASI MONTAJI</i>	45
-	INTERMEDIATE MOUNTING PLATE ASSEMBLING	
-	<i>KAPI KANAL PROFİL MONTAJI</i>	46
-	CABLE TRAY DOOR RAIL ASSEMBLING	

DOKÜMAN NO	KYT- 050
REV. NO	3
SAYFA	80/4

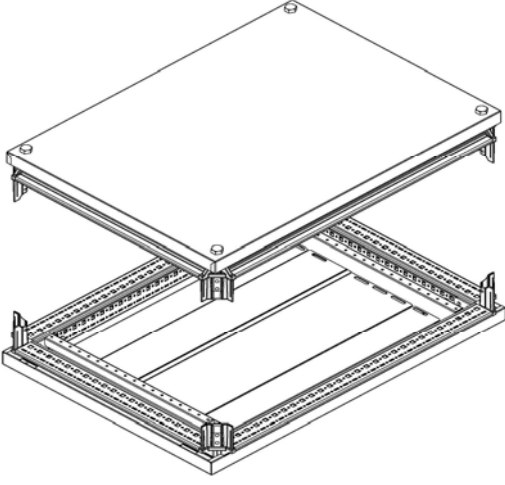
-	<i>METAL PROJE CEBİ MONTAJI</i>	46
	METAL PLAN POCKET ASSEMBLING	
-	<i>LAMBA TUTUCU PROFİL VE LAMBA MONTAJI</i>	47
	LAMP HOLDER RAIL AND LAMP ASSEMBLING	
-	<i>KAPI AYDINLATMA ANAHTAR TUTUCU VE ANAHTAR MONTAJI</i>	48
	DOOR SWITCH HOLDER AND SWITCH ASSEMBLING	
-	<i>GEÇMELİ ATKI TUTUCU VE KESİLEBİLİR ATKI</i>	49
	PLUG-IN RAIL BRACKET AND SCISSILE RAIL SYSTEM	
-	<i>GEÇMELİ ATKI TUTUCU</i>	50
	PLUG-IN RAIL BRACKET	
-	<i>AYARLI ATKI TUTUCU</i>	51
	ADJUSTABLE RAIL BRACKET	
-	<i>AYARLI ATKI TUTUCU (L TİP)</i>	52
	ADJUSTABLE RAIL BRACKET (TYPE L)	
-	<i>YARDIMCI ATKI TUTUCU</i>	53
	AUXILIARY RAIL BRACKET	
-	<i>AĞIR EKİPMAN PROFİLİ</i>	54
	HEAVY EQUIPMENT PROFILE	
-	<i>PANO BÖLME PANELİ</i>	55
	DIVIDING PANEL	
-	<i>25A - 630A ŞALTER KİTİ</i>	56-57
	25A - 630A MCCB KIT	
-	<i>SİGORTA (OTOMAT) VE KLEMENS KİTİ (ARKA MONTAJLI KABLO KANALI)</i>	58
	MCB AND TERMINAL KIT (BACK-MOUNTED CABLE DUCT)	
-	<i>SİGORTA (OTOMAT) KİTİ (ÖN MONTAJLI KABLO KANALI)</i>	59
	MCB KIT (FRONT-MOUNTED CABLE DUCT)	
-	<i>PARÇA MONTAJ PLAKASI</i>	60
	PARTIAL MOUNTING PLATE	
-	<i>İÇ KAPAK SİSTEMİ</i>	61-67
	COVER PLATE SYSTEM	
-	<i>SABİT BAZA</i>	68-69
	FIXED PLINTH	
-	<i>KÖŞE PANO</i>	70
	CORNER ENCLOSURE	
-	<i>19" BAĞLANTI PROFİLLERİ</i>	71-72
	19" COMBINATION PROFILES	
-	<i>19" SWING FRAME</i>	73
	19" SWING FRAME	
-	<i>SABİT ve HAREKETLİ RAF</i>	74
	FIXED and MOVABLE SHELF	
-	<i>KAPI DURDURUCU</i>	75
	DOOR STOPPER	
-	<i>TAŞIMA TALİMATI</i>	76
	LIFTING INSTRUCTION	
-	<i>YÜKLEME TALİMATI</i>	77
	LOADING INSTRUCTION	

DOKÜMAN NO	KYT-050
REV. NO	3
SAYFA	80/5

PAKET İÇERİKLERİ
PACKAGE CONTENTS

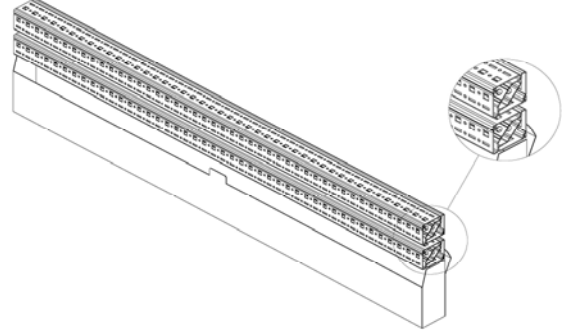
DOKÜMAN NO	KYT-050
REV. NO	3
SAYFA	80/6

PAKET İÇERİKLERİ
PACKAGE CONTENTS



A

ALT/ÜST GRUP
TOP/BOTTOM GRUOP



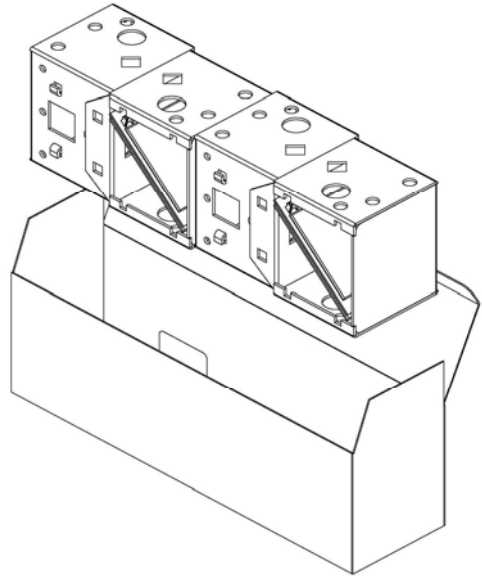
B

DİKEY GÖVDE GRUP
VERTICAL FRAME GRUOP



C

MONTAJ PLAKASI
MOUNTING PLATE

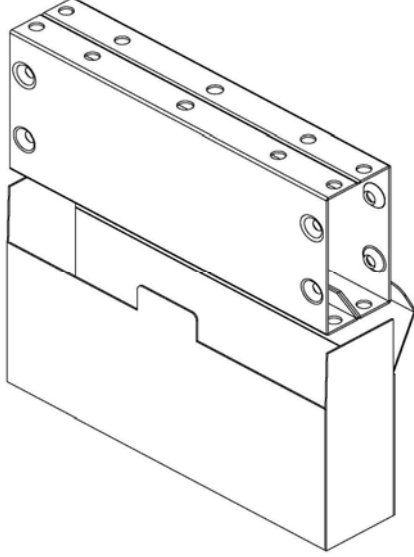


D

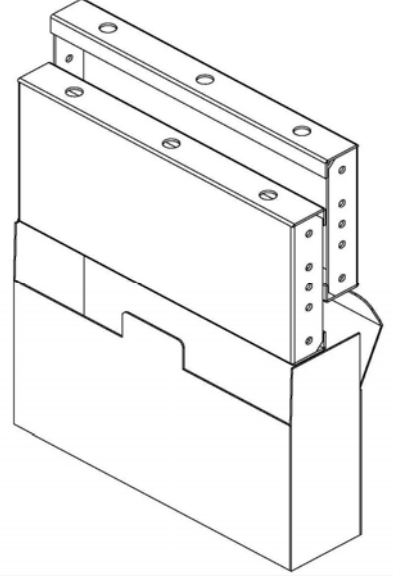
BAZA KÖŞESİ
PLINTH CORNER PART

DOKÜMAN NO	KYT-050
REV. NO	3
SAYFA	80/7

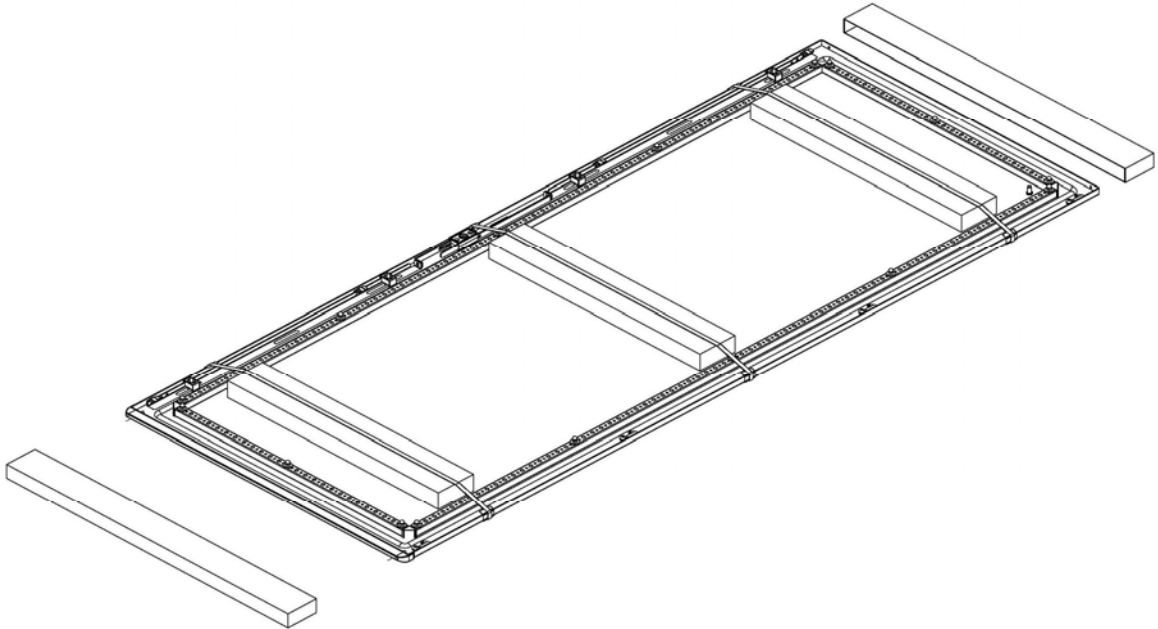
PAKET İÇERİKLERİ
PACKAGE CONTENTS



E
BAZA ÖN KAPAK
PLINTH FRONT COVERS



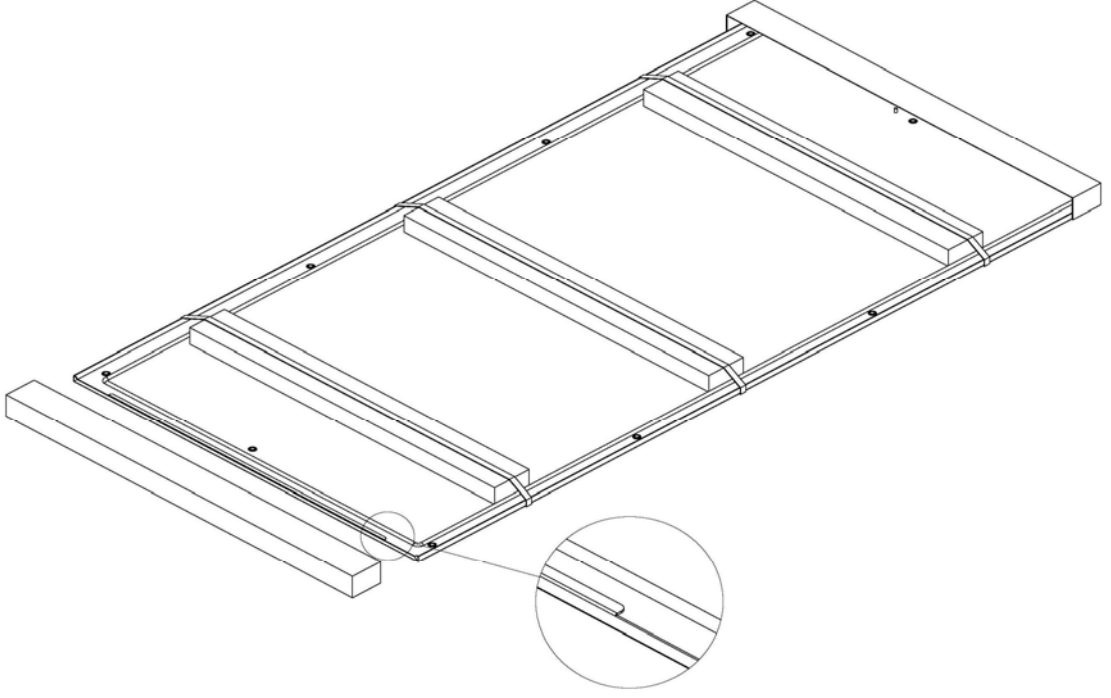
F
BAZA YAN KAPAK
PLINTH SIDE COVERS



G
ÖN KAPAK
SOLID FRONT DOOR

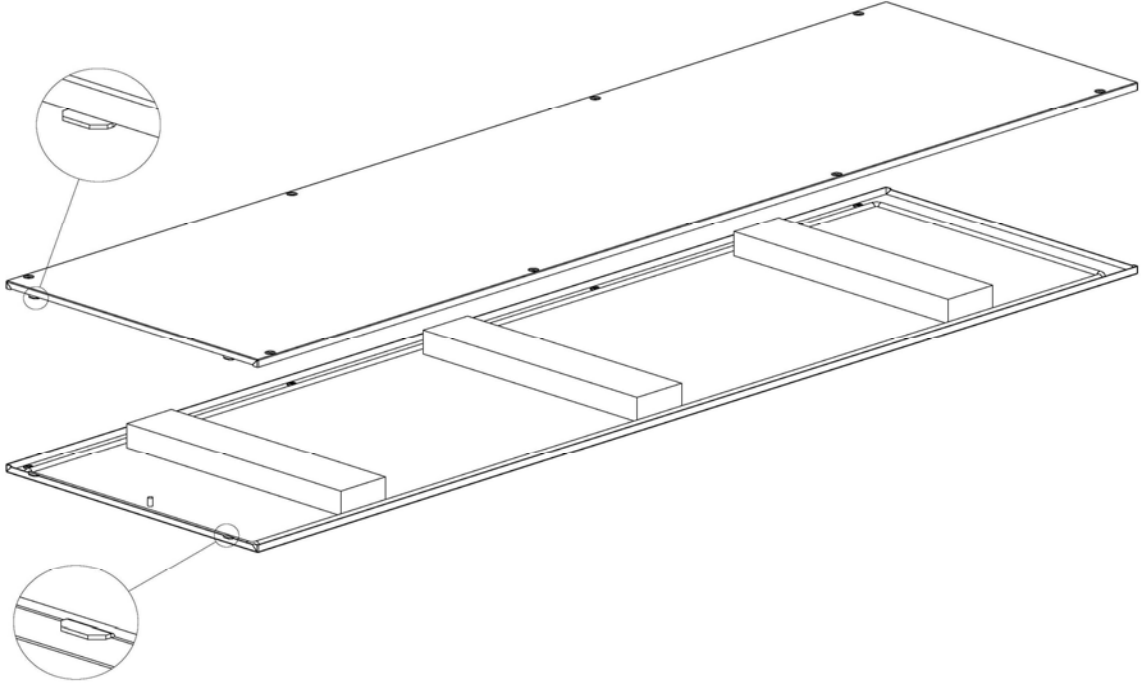
DOKÜMAN NO	KYT- 050
REV. NO	3
SAYFA	80/8

PAKET İÇERİKLERİ
PACKAGE CONTENTS



H

ARKA KAPAK
REAR PANEL GROUP

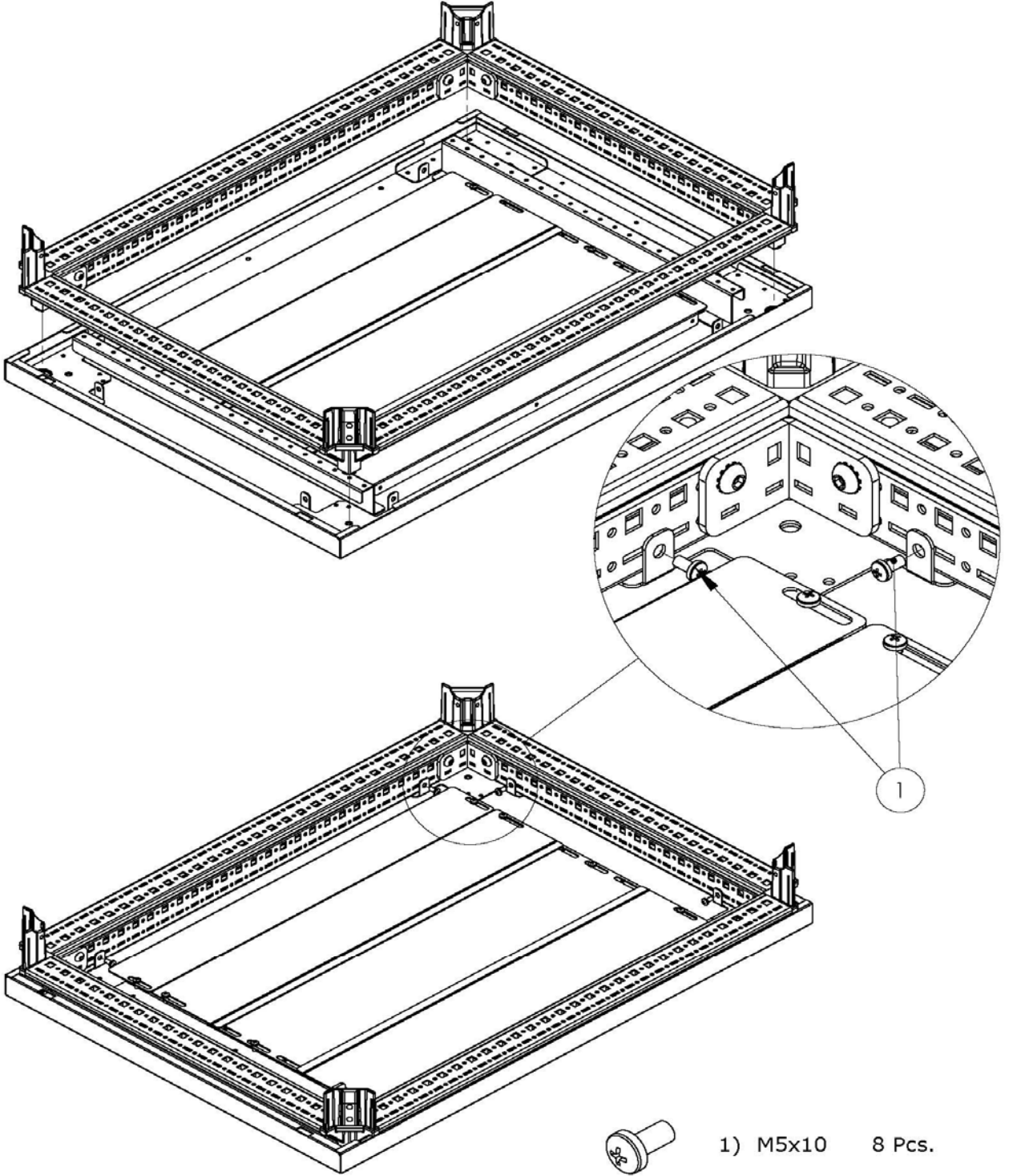


I

YAN KAPAK
SIDE PANELS

DOKÜMAN NO	KYT-050
REV. NO	3
SAYFA	80/9

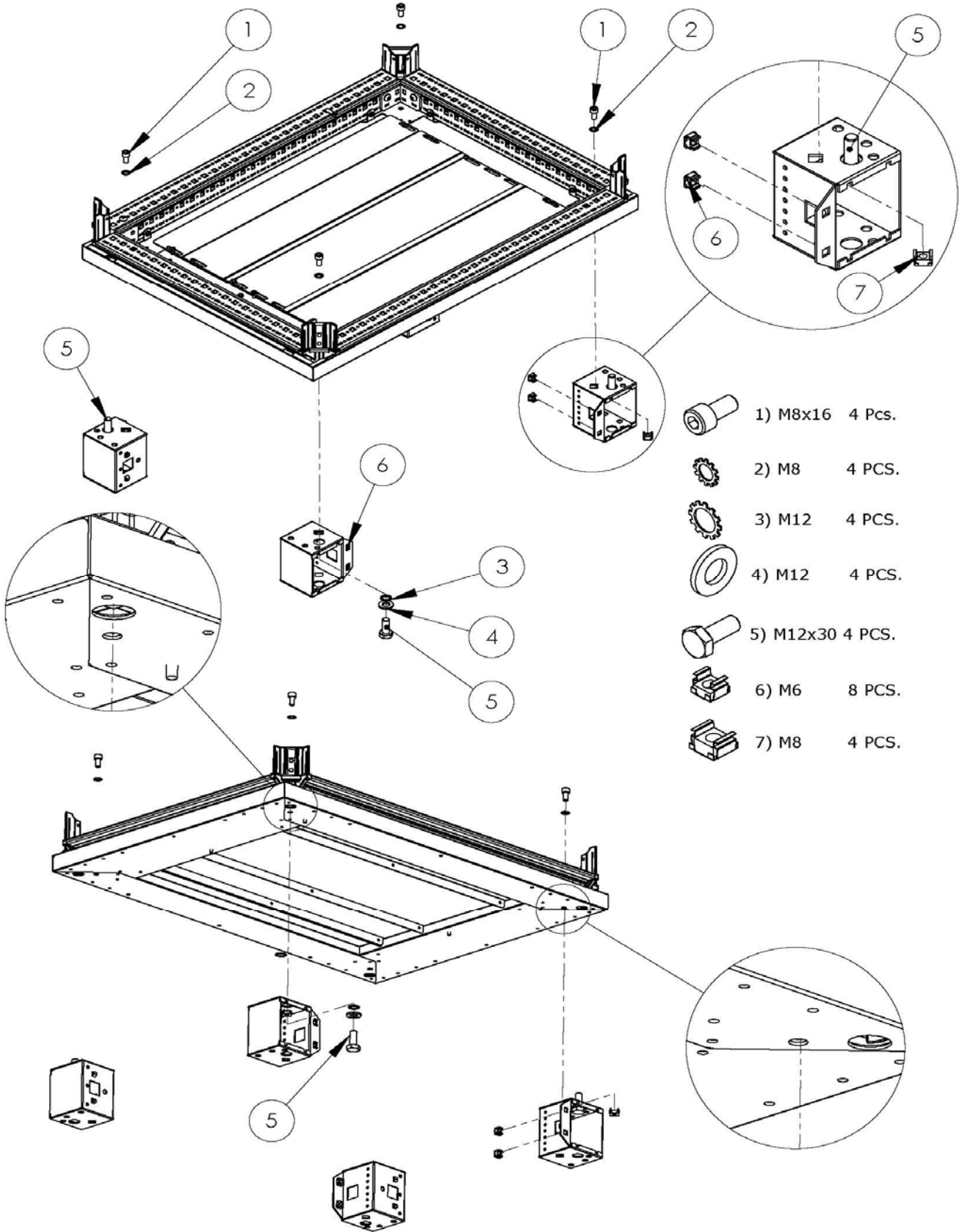
TABAN SİSTEMİ / ALT KAPAK MONTAJI
BASE SYSTEM/ GLAND PLATE ASSEMBLING



DOKÜMAN NO	KYT-050
REV. NO	3
SAYFA	80/10

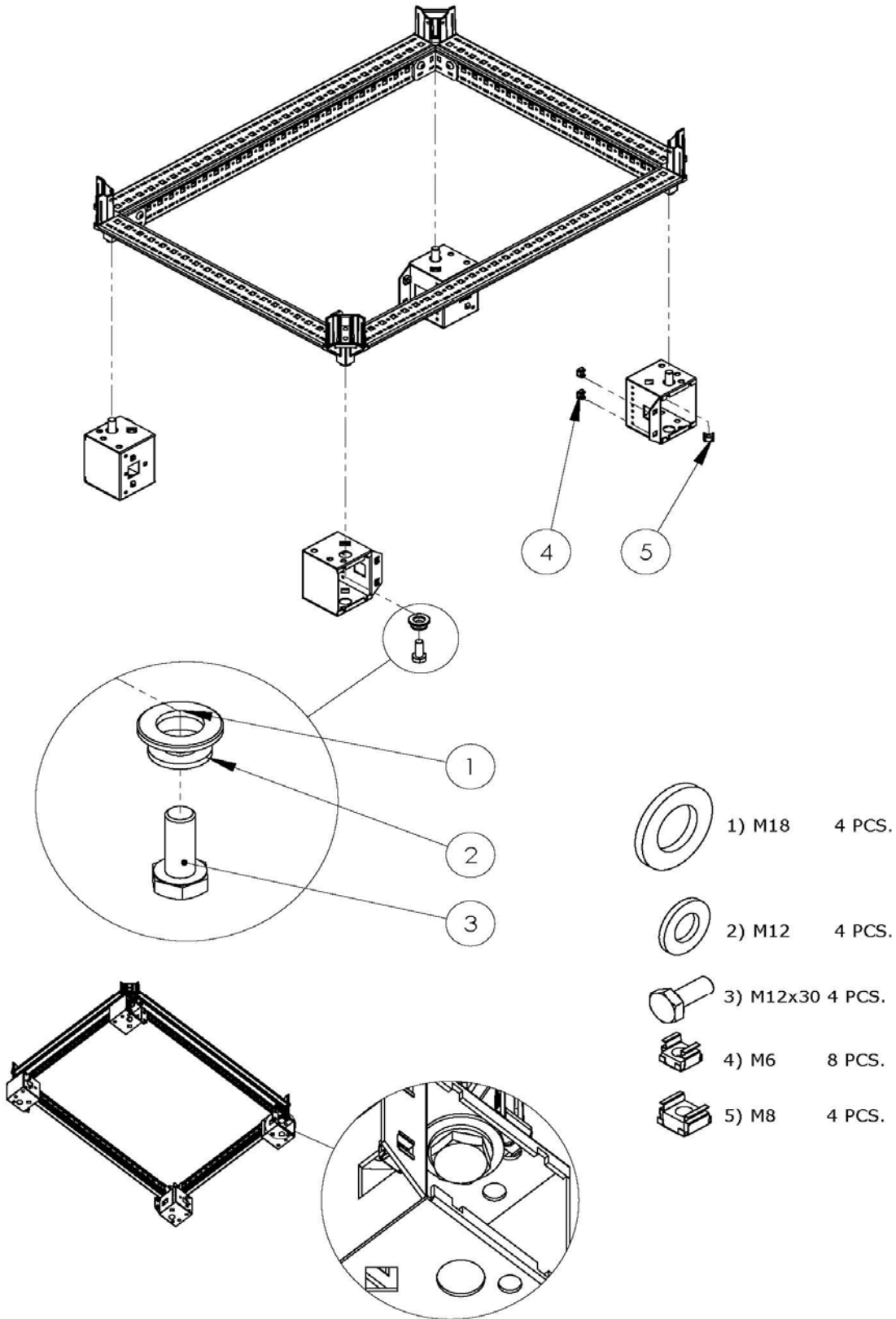
BAZA KÖŞESİ MONTAJI

BASE / PLINTH CORNER PARTS ASSEMBLING



DOKÜMAN NO	KYT-050
REV. NO	3
SAYFA	80/11

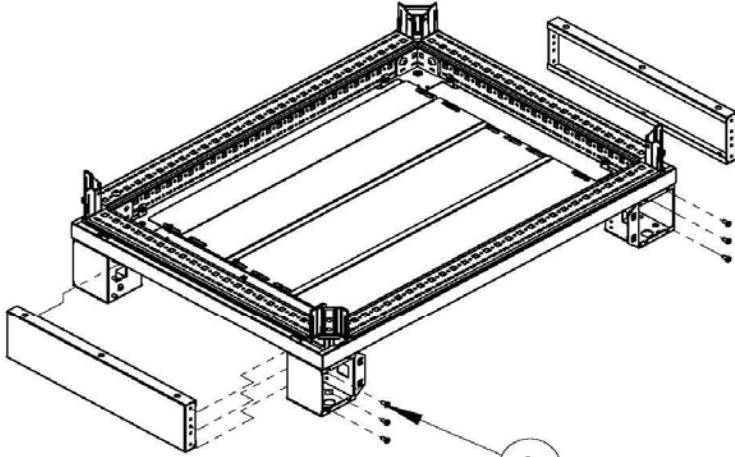
ALT GRUP BAZA MONTAJI
INSTALL BASE BOTTOM-GROUP



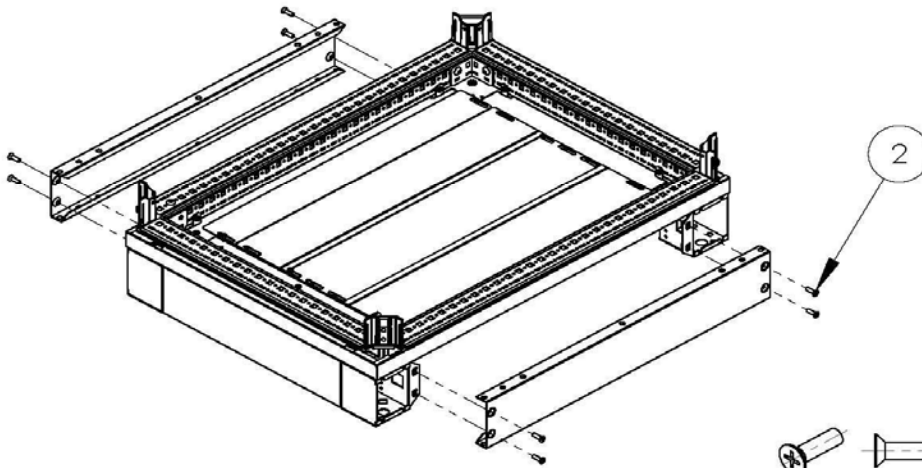
DOKÜMAN NO	KYT-050
REV. NO	3
SAYFA	80/12

BAZA ÖN VE YAN KAPAKLARI MONTAJI

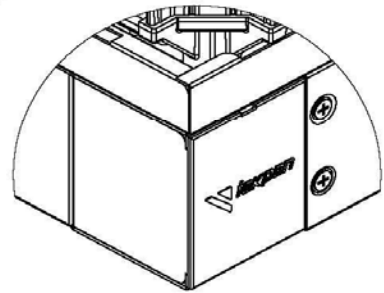
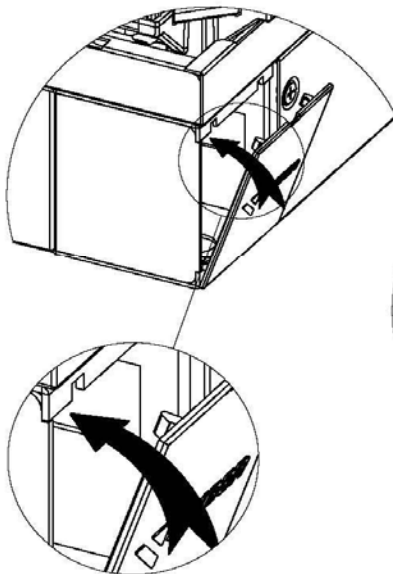
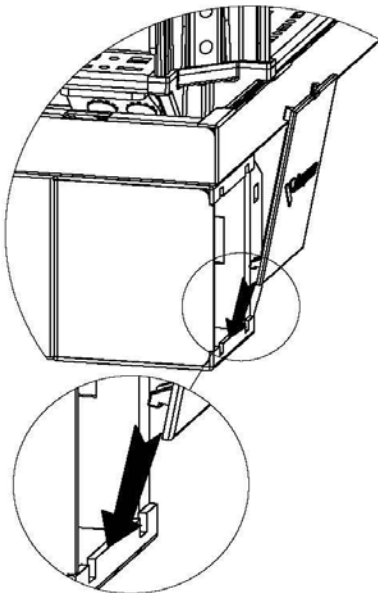
BASE / PLINTH FRONT COVERS AND SIDE COVERS ASSEMBLING



1) M5x10 12 Pcs.

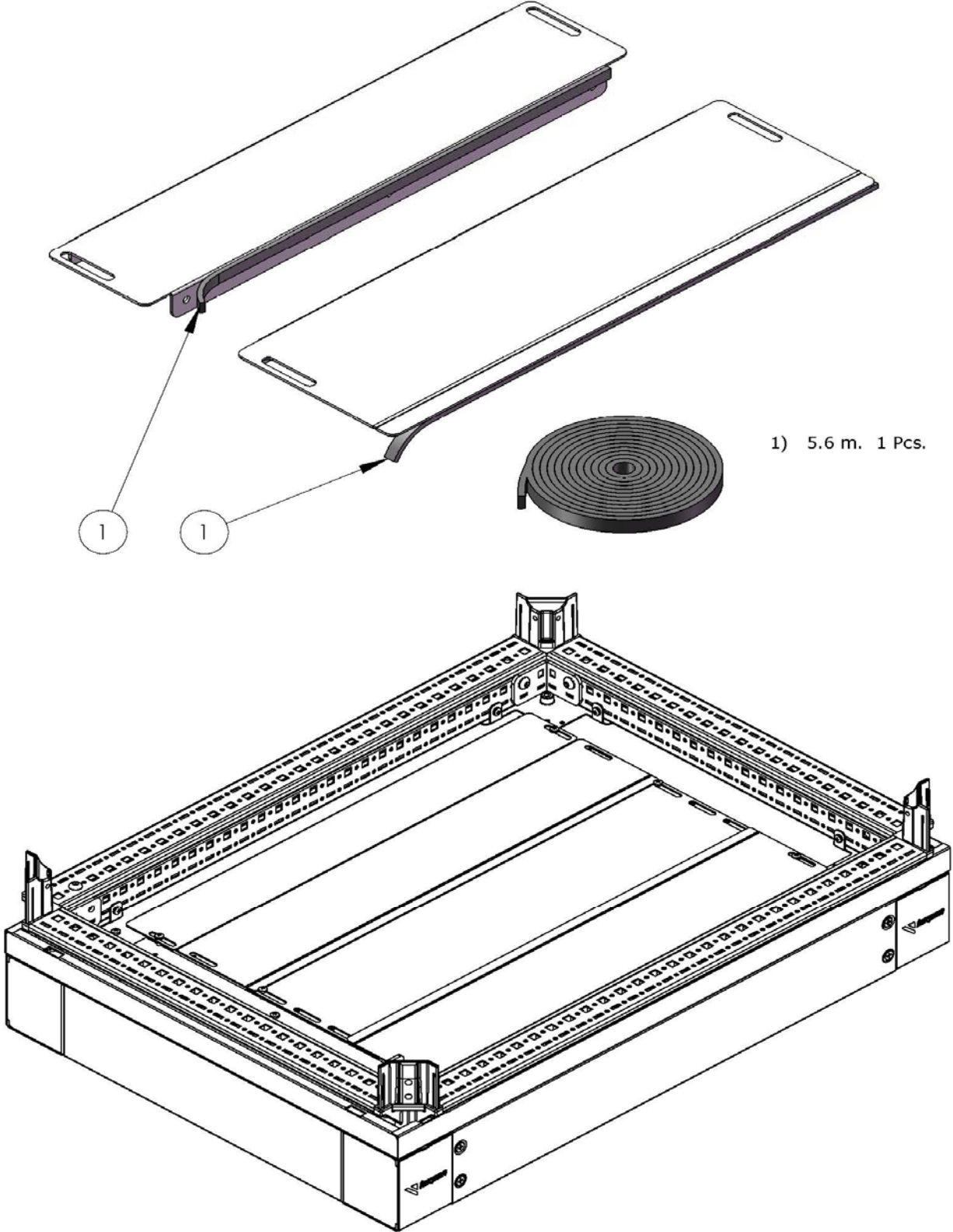


2) M6x25 8 Pcs.

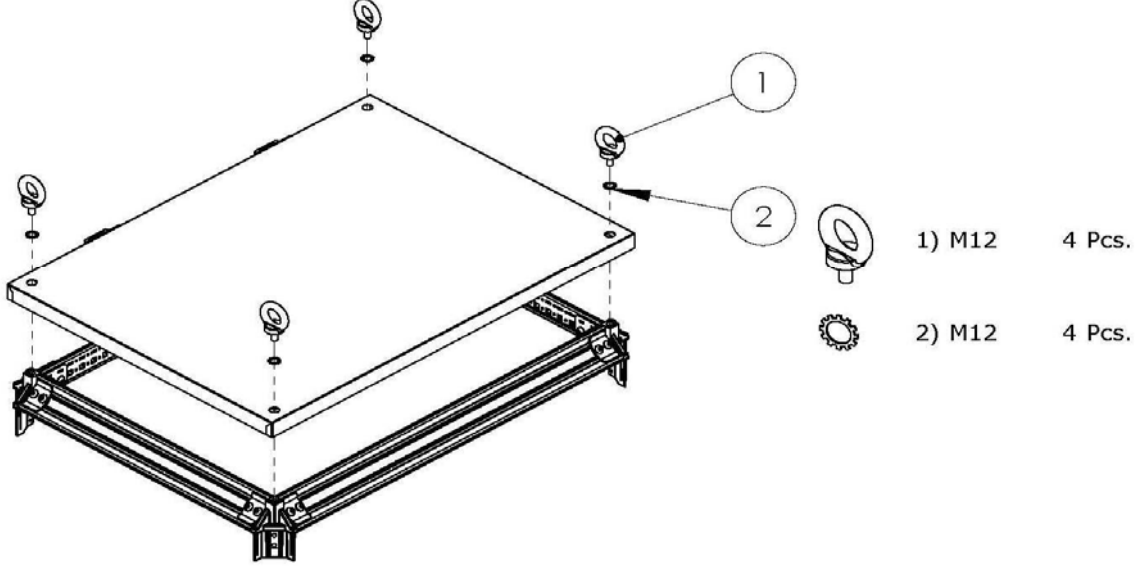
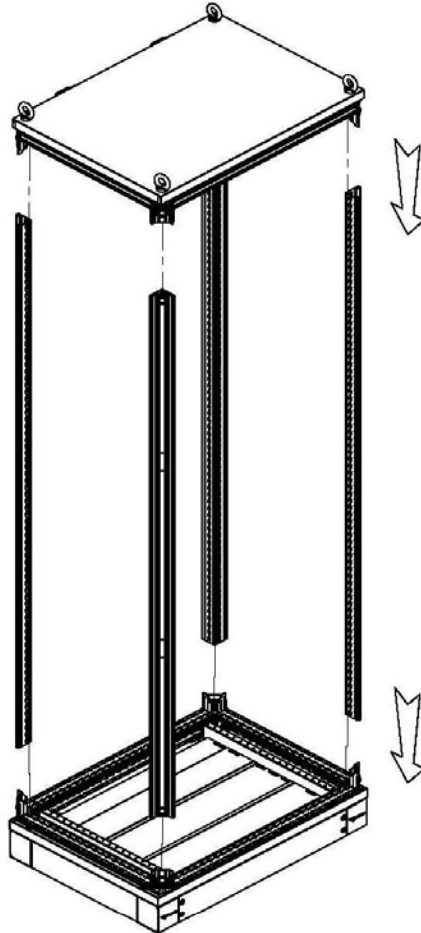


DOKÜMAN NO	KYT-050
REV. NO	3
SAYFA	80/13

ALT KAPAK CONTALAMA
GLAND PLATE GASKETING



DOKÜMAN NO	KYT- 050
REV. NO	3
SAYFA	80/14

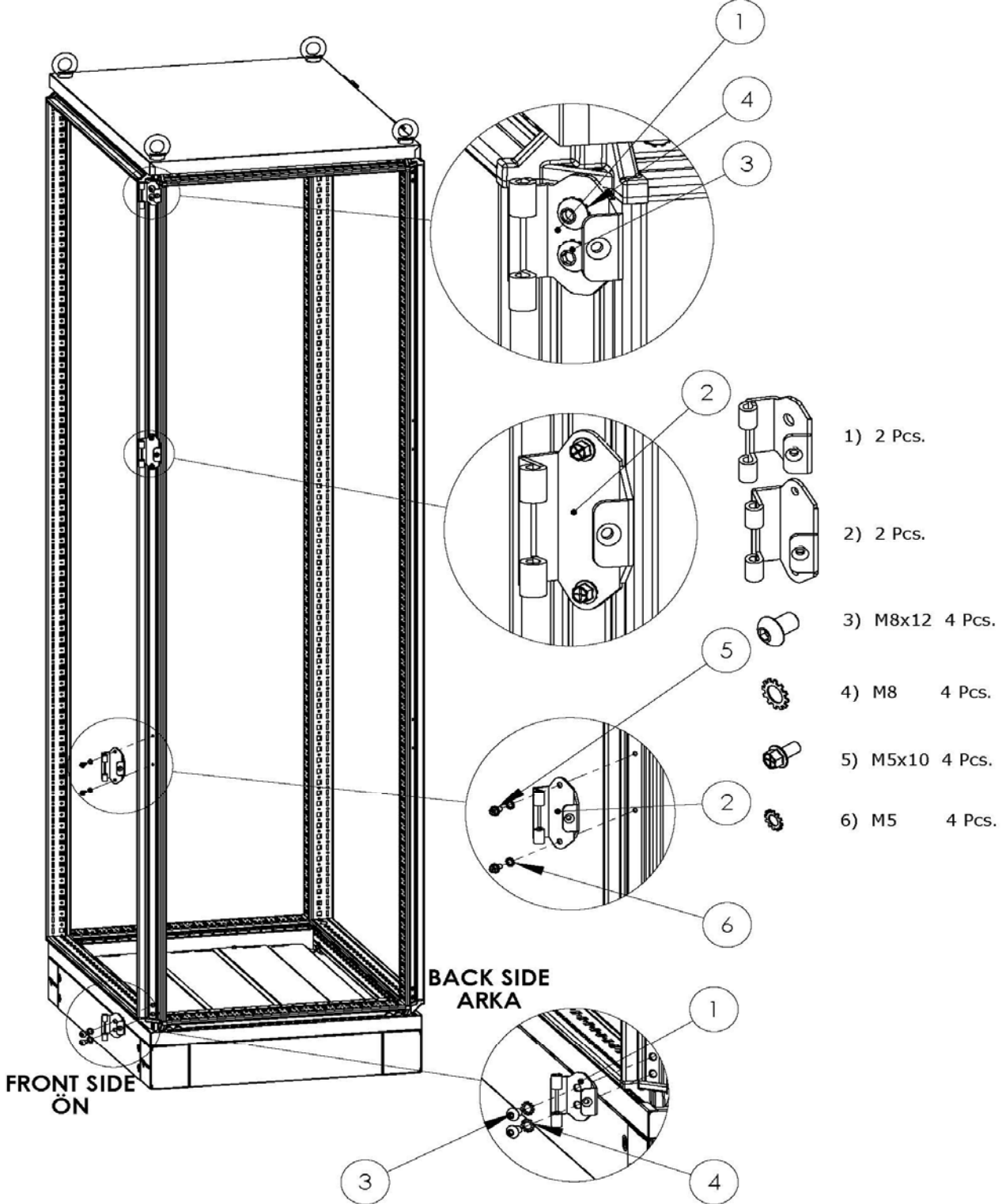
ÜST KAPAK MONTAJI**TOP COVER ASSEMBLING****GÖVDE MONTAJI****FRAME ASSEMBLING**

DOKÜMAN NO	KYT-050
REV. NO	3
SAYFA	80/15

GÖVDE MONTAJ PARÇALARI MONTAJI
FRAME PARTS ASSEMBLING

NOT : MONTAJ PARÇALARI ÖN KAPAK PAKETİNDEDİR.

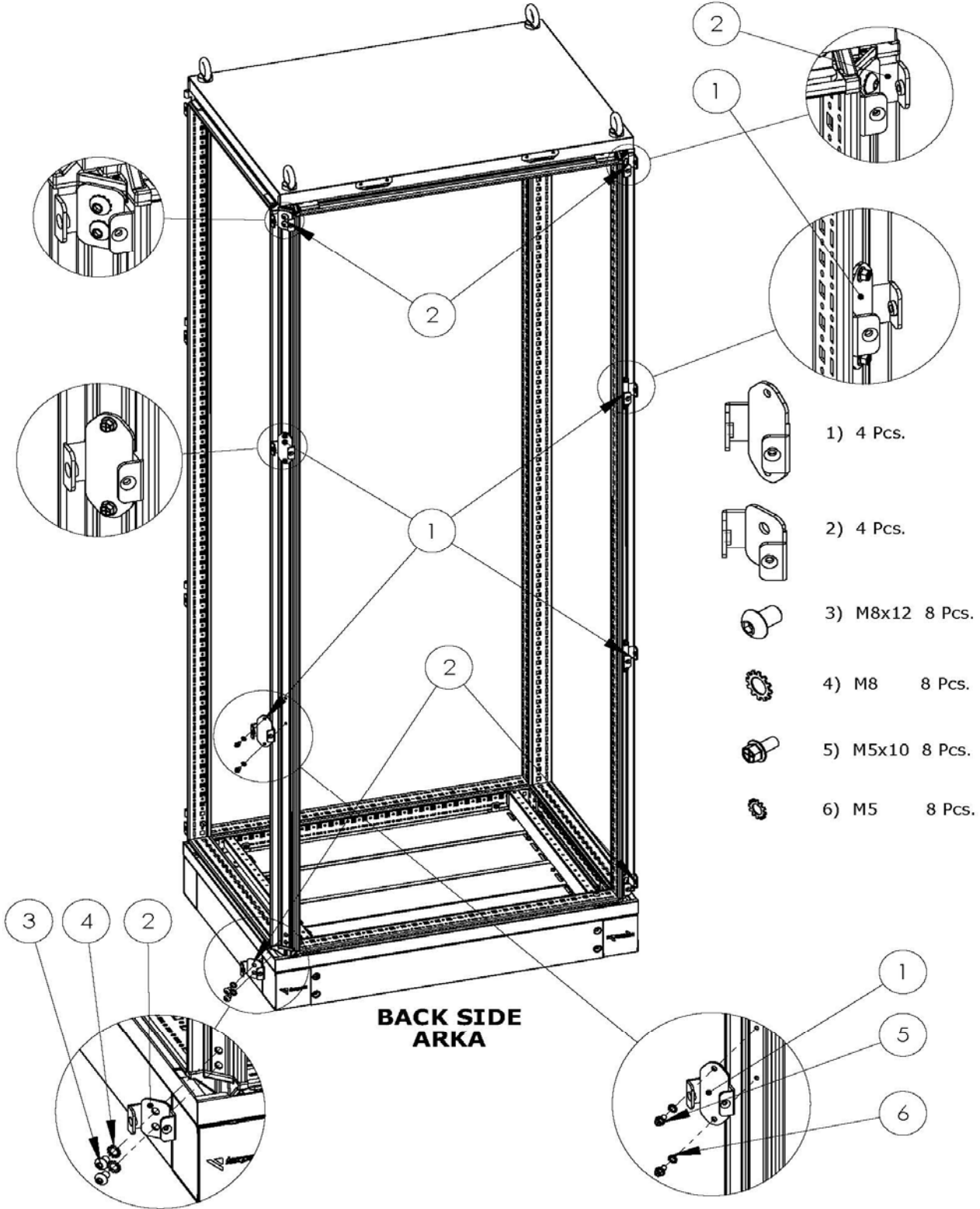
NOTE: ASSEMBLING PARTS PACKED INTO FRONT DOOR.



DOKÜMAN NO	KYT- 050
REV. NO	3
SAYFA	80/16

GÖVDE MONTAJ PARÇALARI MONTAJI**FRAME PARTS ASSEMBLING**

NOT : MONTAJ PARÇALARI ARKA KAPAK PAKETİNDEDİR.
NOTE: ASSEMBLING PARTS PACKED INTO REAR PANEL.

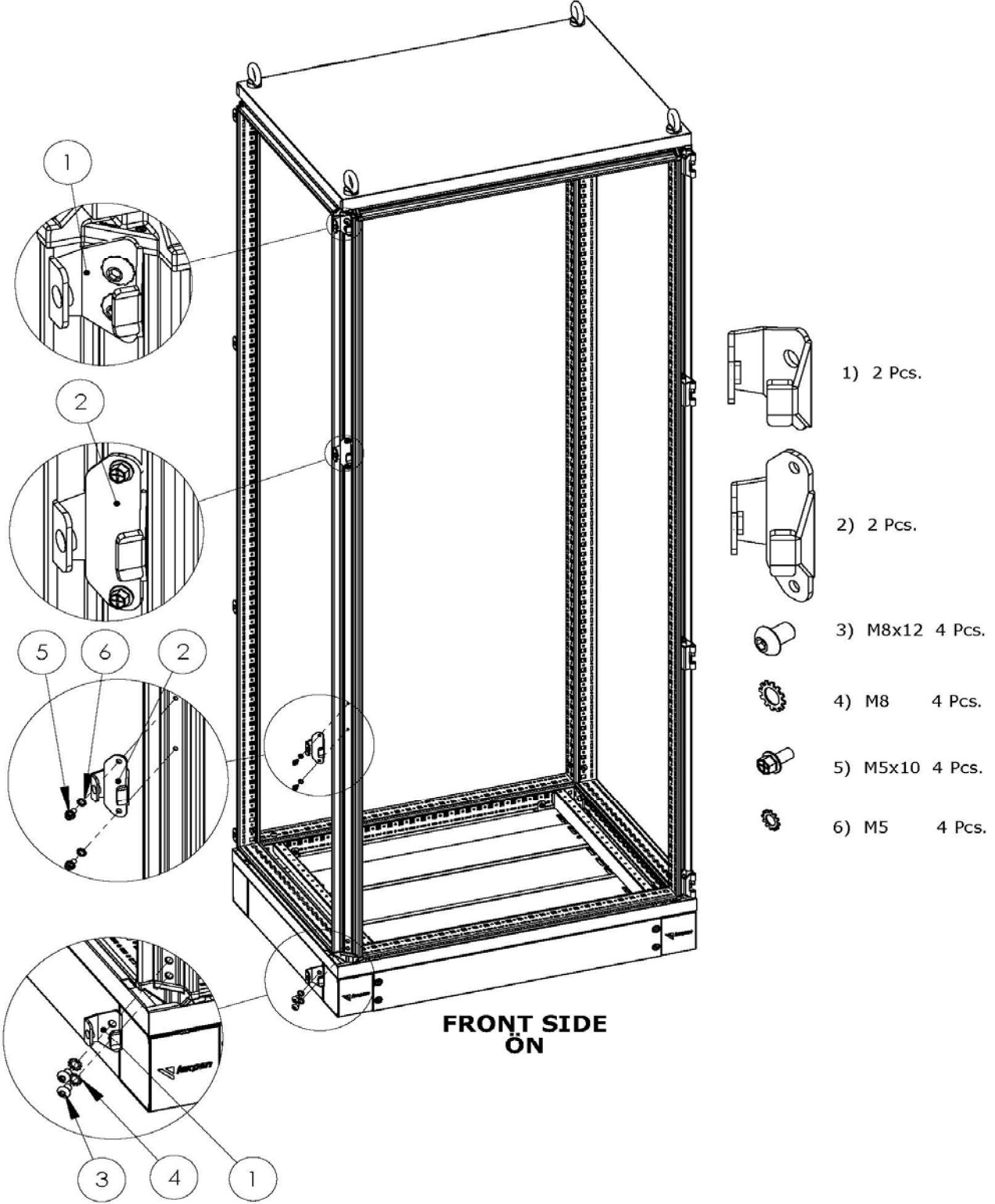


DOKÜMAN NO	KYT-050
REV. NO	3
SAYFA	80/17

GÖVDE MONTAJ PARÇALARI MONTAJI**FRAME PARTS ASSEMBLING**

NOT : MONTAJ PARÇALARI ÖN KAPAK PAKETİNDEDİR.

NOTE: ASSEMBLING PARTS PACKED INTO FRONT DOOR.

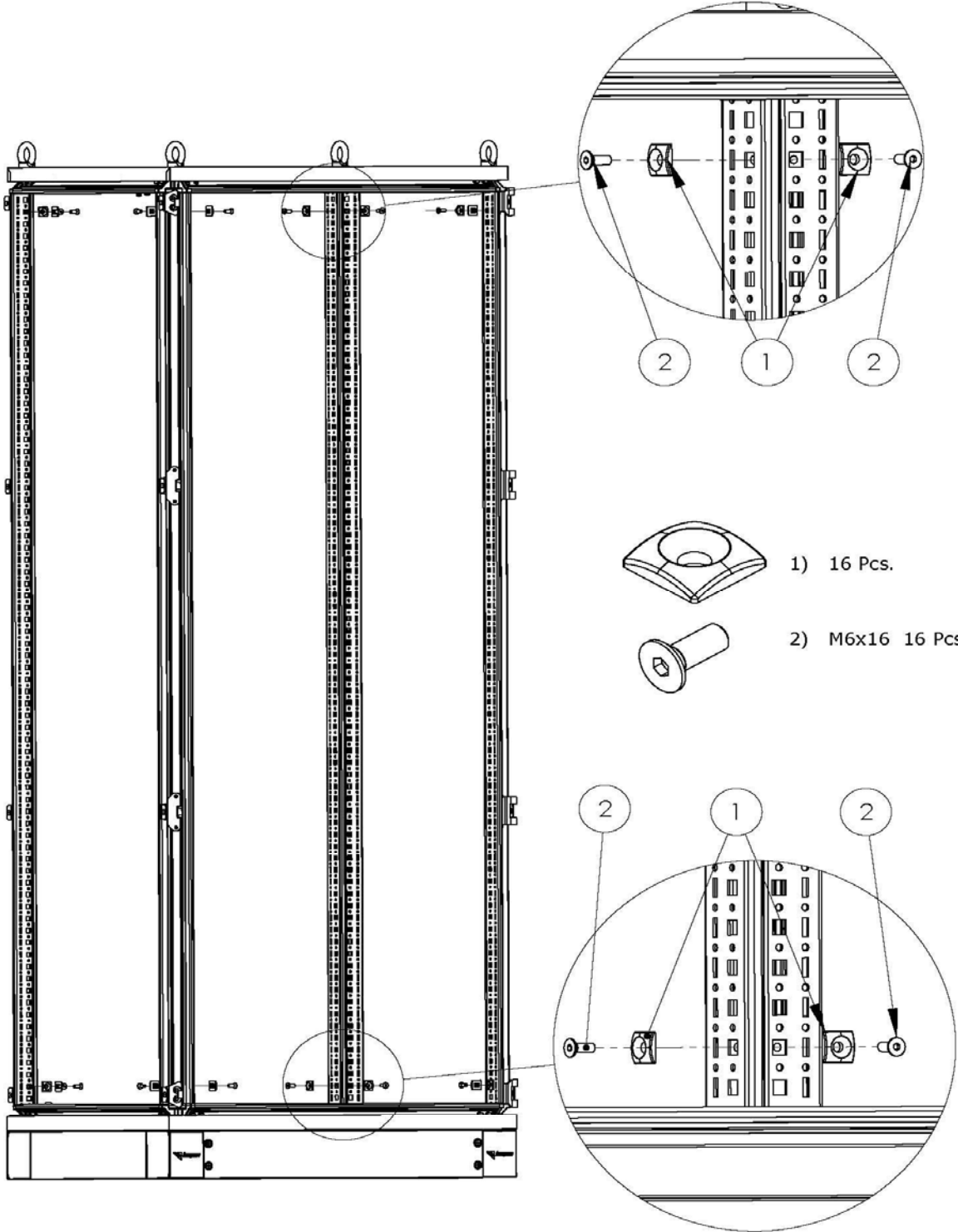


DOKÜMAN NO	KYT-050
REV. NO	3
SAYFA	80/18

GÖVDE MONTAJ PARÇALARI MONTAJI**FRAME PARTS ASSEMBLING**

NOT : MONTAJ PARÇALARI ALT VE ÜST GRUP PAKETİNDEDİR.

NOTE: ASSEMBLING PARTS PACKED TOP/BOTTOM GROUP.

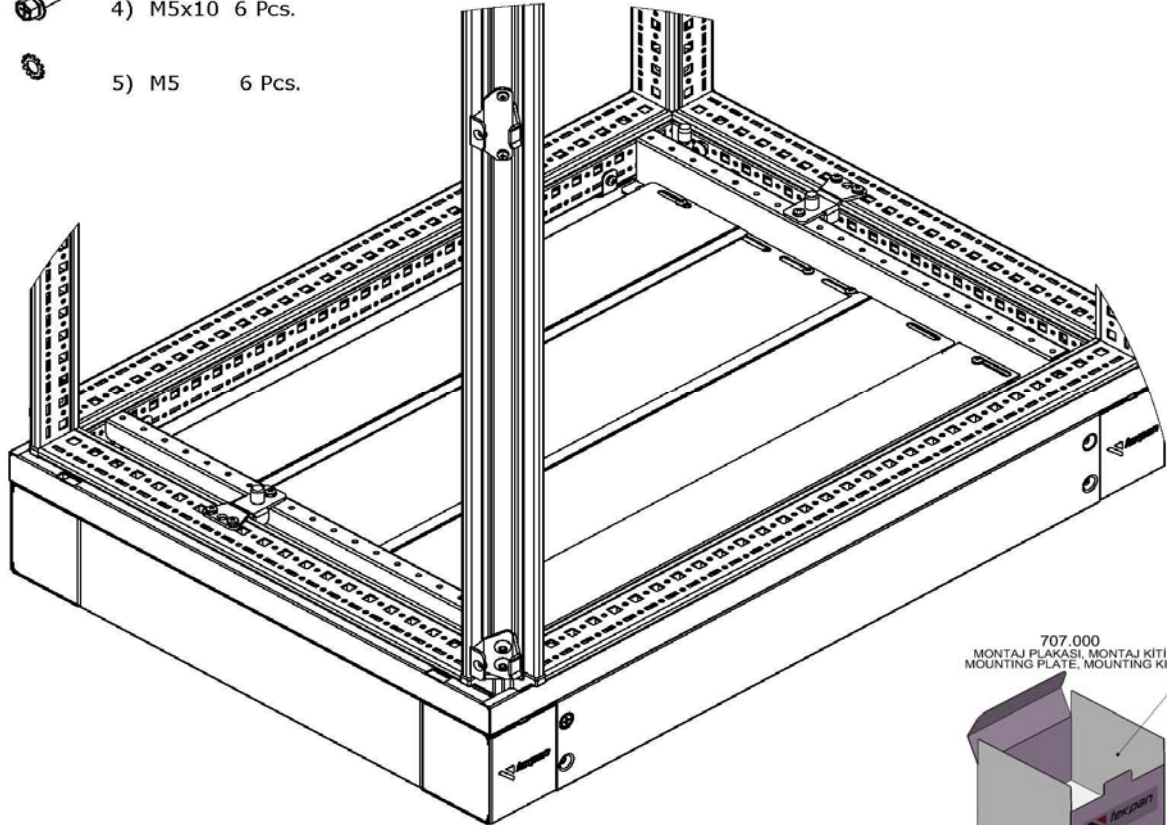
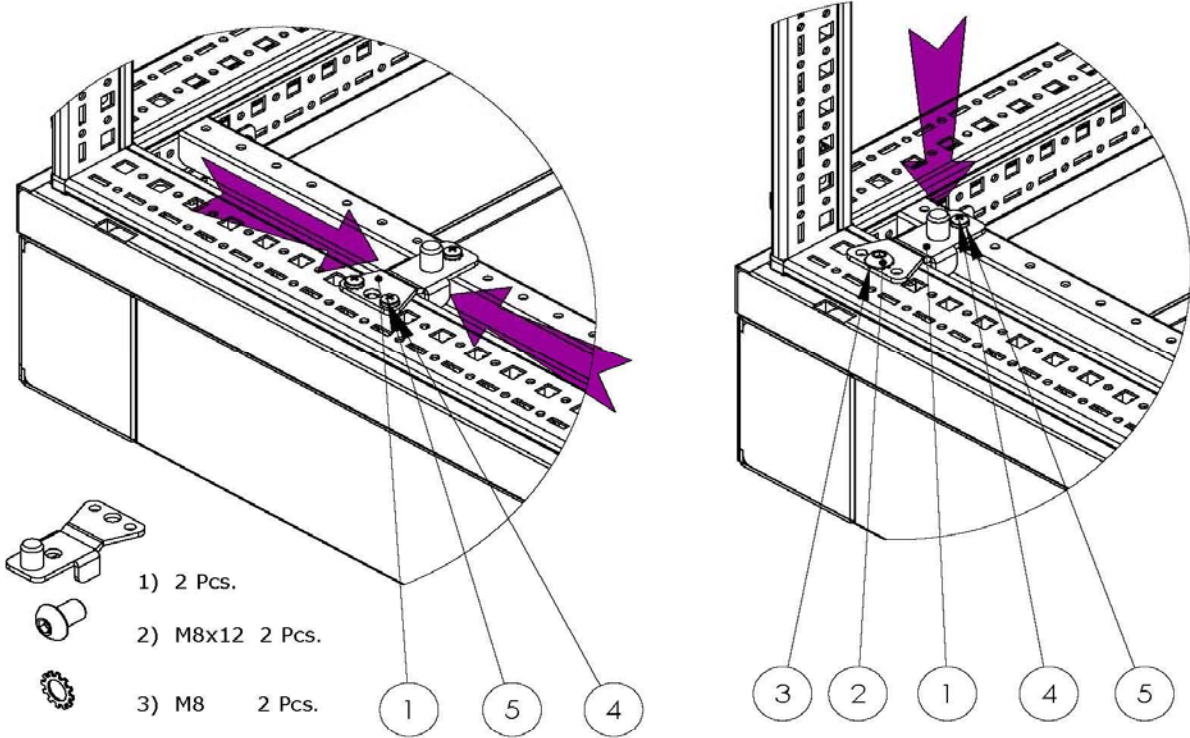


DOKÜMAN NO	KYT-050
REV. NO	3
SAYFA	80/19

MONTAJ PLAKASI MONTAJI
MOUNTING PLATE ASSEMBLING

NOT : MONTAJ PARÇALARI PAKETİ, AYRI TURUNCU KUTUDADIR.

NOTE: ASSEMBLING PARTS PACKED AND DELIVERED INTO SEPARATELY ORANGE BOX.



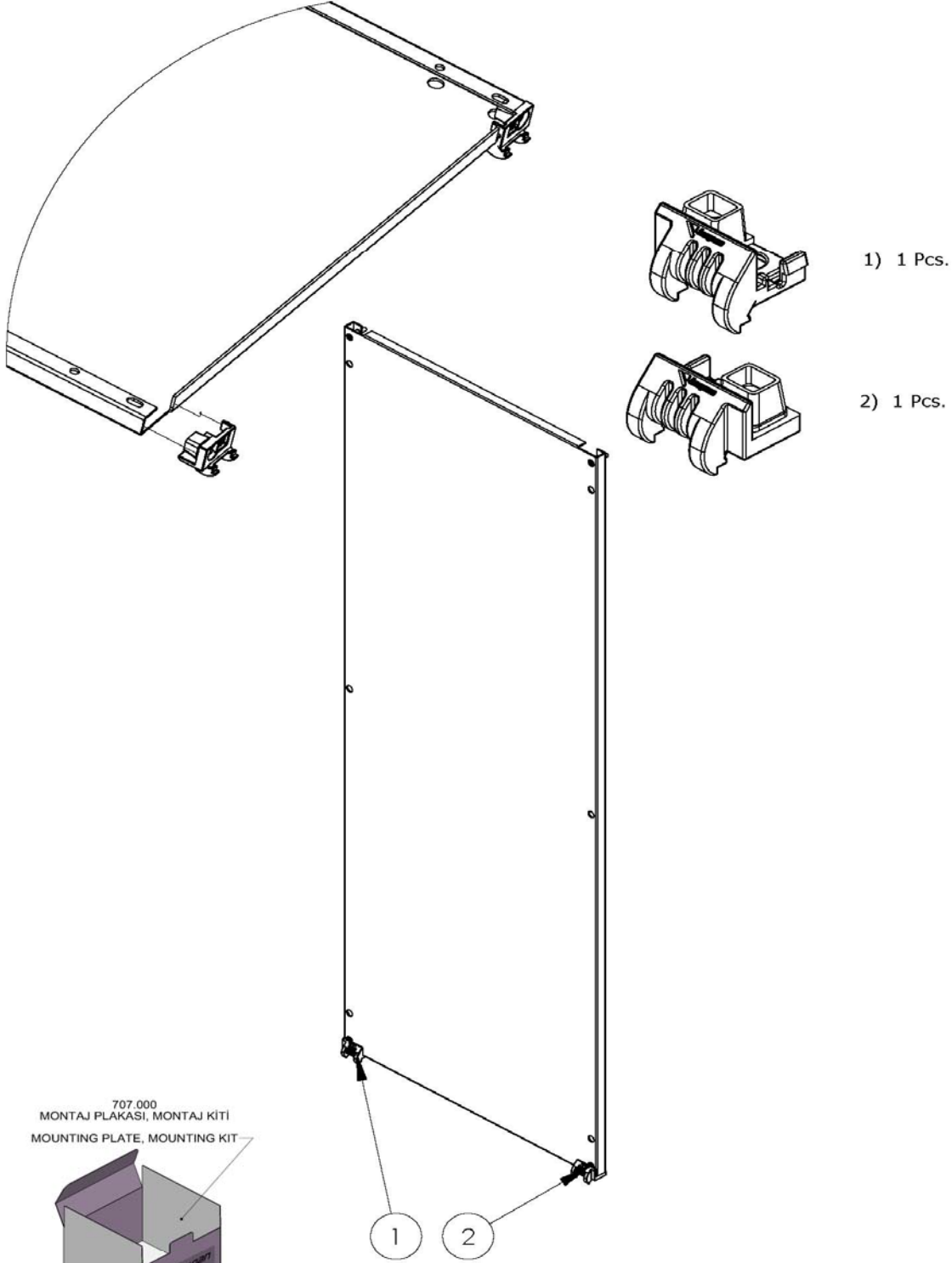
MONTAJ PLAKASI, MONTAJ PARÇALARI, 707.000 NOLU
TURUNCU KUTUDAN ÇIKMAKTADIR.
MOUNTING PLATE ASSEMBLY PARTS NUMBER 707.000
IS THE ORANGE BOX.

DOKÜMAN NO	KYT-050
REV. NO	3
SAYFA	80/20

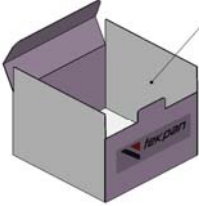
MONTAJ PLAKASI MONTAJI
MOUNTING PLATE ASSEMBLING

NOT : MONTAJ PARÇALARI PAKETİ, AYRI TURUNCU KUTUDADIR.

NOTE: ASSEMBLING PARTS PACKED AND DELIVERED INTO SEPARATELY ORANGE BOX.



707.000
MONTAJ PLAKASI, MONTAJ KİTİ
MOUNTING PLATE, MOUNTING KIT



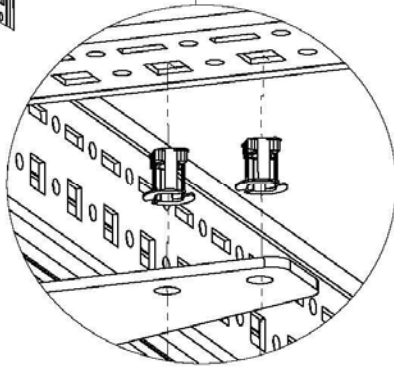
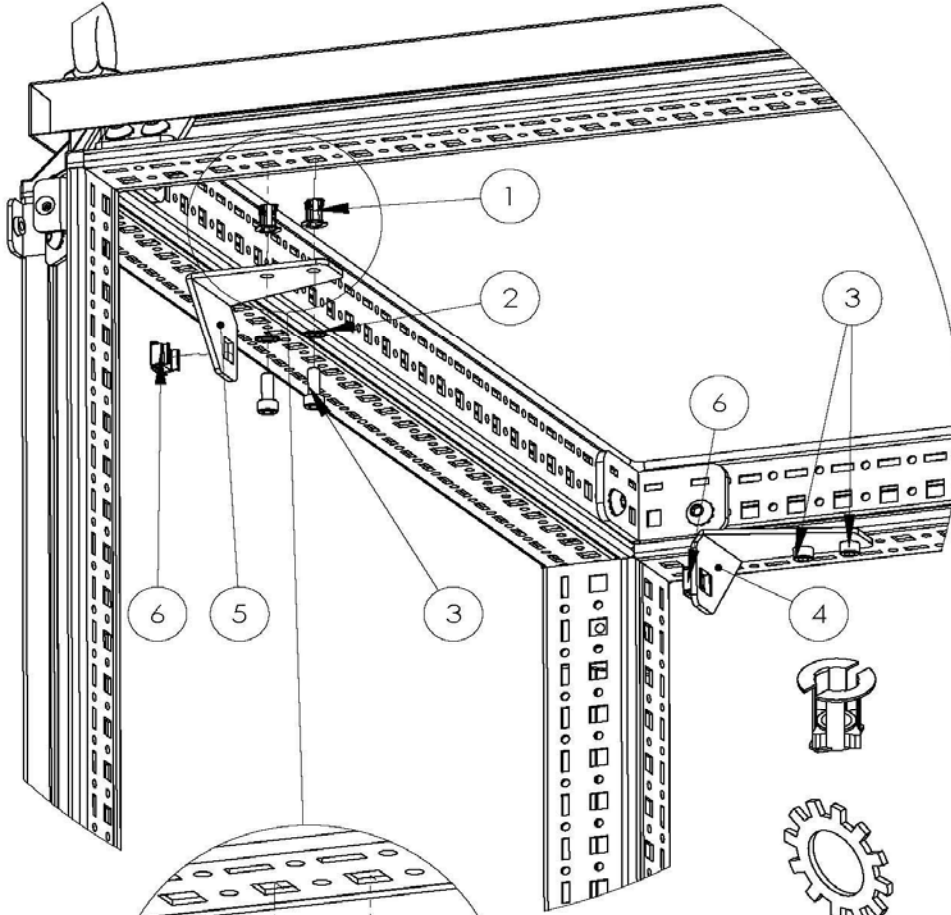
MONTAJ PLAKASI, MONTAJ PARÇALARI, 707.000 NOLU
TURUNCU KUTUDAN ÇIKMAKTADIR.
MOUNTING PLATE ASSEMBLY PARTS NUMBER 707.000
IS THE ORANGE BOX.

DOKÜMAN NO	KYT-050
REV. NO	3
SAYFA	80/21

MONTAJ PLAKASI MONTAJI
MOUNTING PLATE ASSEMBLING

NOT : MONTAJ PARÇALARI PAKETİ, AYRI TURUNCU KUTUDADIR.

NOTE: ASSEMBLING PARTS PACKED AND DELIVERED INTO SEPARATELY ORANGE BOX.



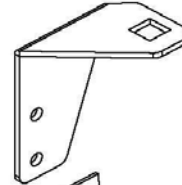
1) 4 Pcs.



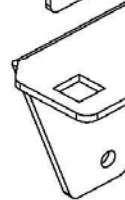
2) M8 4 Pcs.



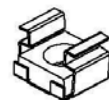
3) M6X16 4 Pcs.



4) 1 Pcs.

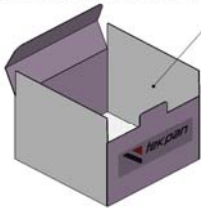


5) 1 Pcs.



6) M8 2 Pcs.

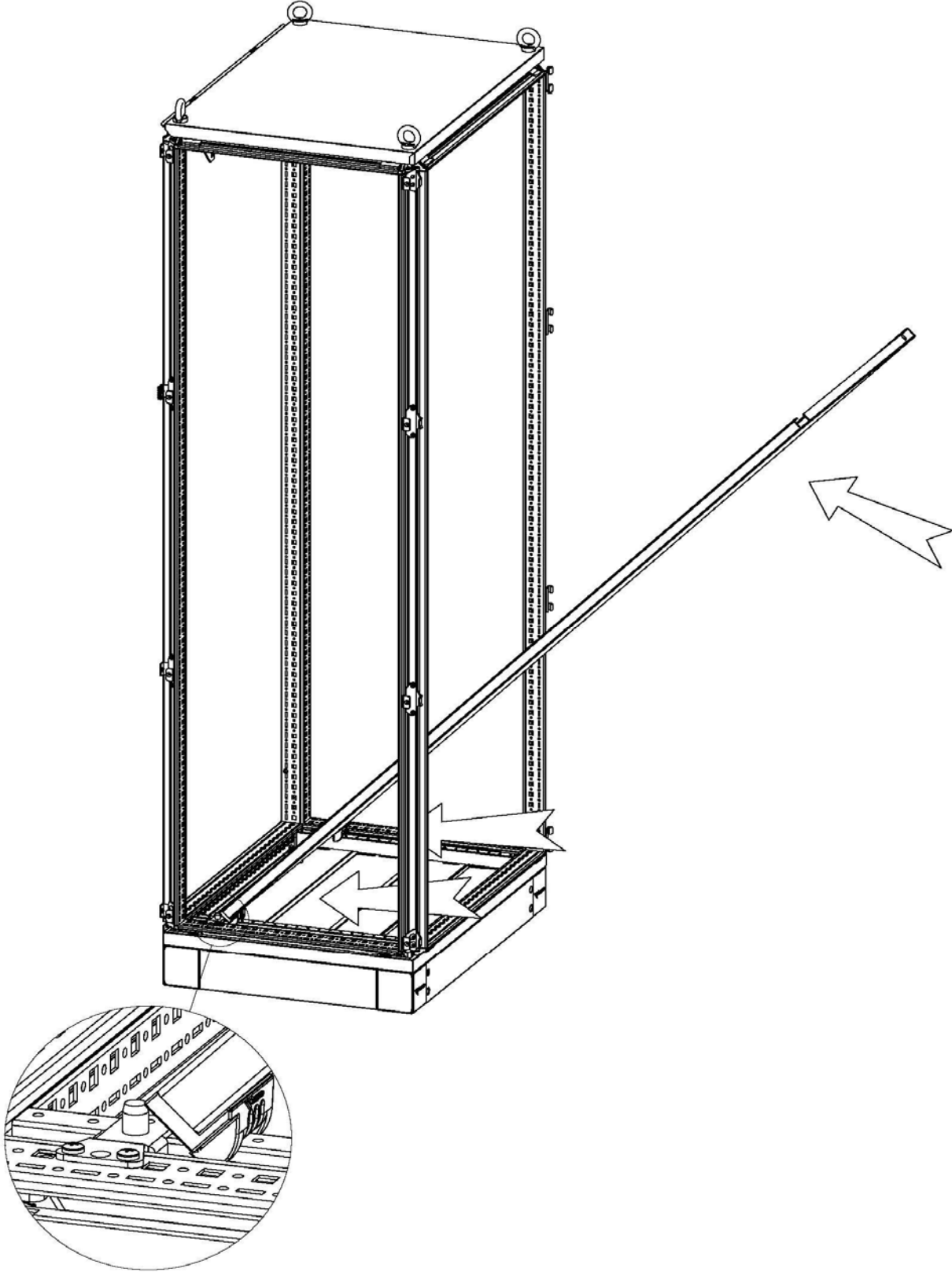
707.000
MONTAJ PLAKASI, MONTAJ KITI
MOUNTING PLATE, MOUNTING KIT



MONTAJ PLAKASI MONTAJ PARÇALARI, 707.000 NOLU
TURUNCU KUTUDAN ÇIKMAKTADIR.

MOUNTING PLATE ASSEMBLY PARTS NUMBER 707.000
IS THE ORANGE BOX.

DOKÜMAN NO	KYT-050
REV. NO	3
SAYFA	80/22

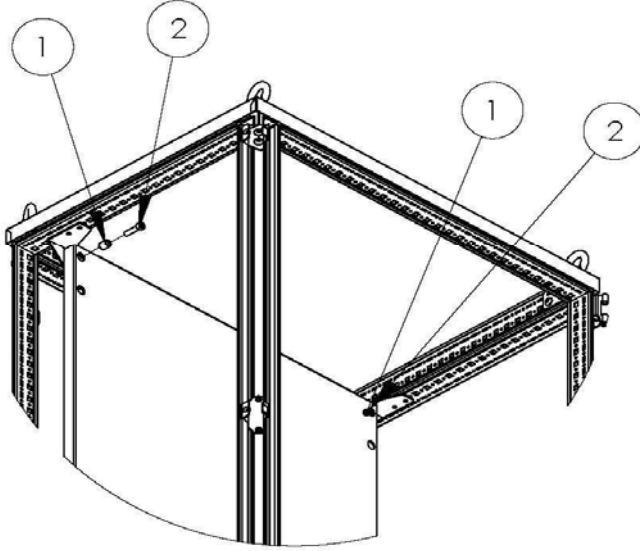
MONTAJ PLAKASI MONTAJI
MOUNTING PLATE ASSEMBLING

DOKÜMAN NO	KYT-050
REV. NO	3
SAYFA	80/23

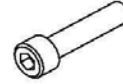
MONTAJ PLAKASI MONTAJI
MOUNTING PLATE ASSEMBLING

NOT : MONTAJ PARÇALARI PAKETİ, AYRI TURUNCU KUTUDADIR.

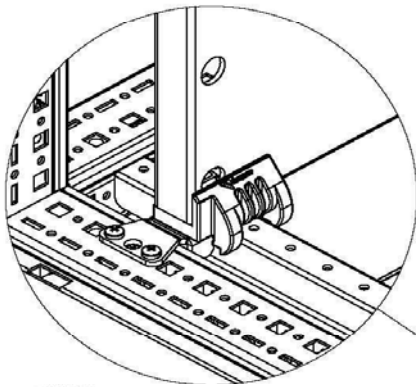
NOTE: ASSEMBLING PARTS PACKED AND DELIVERED INTO SEPARATELY ORANGE BOX.



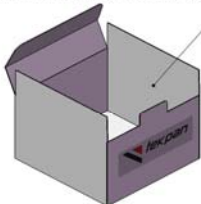
1) 2 Pcs.



2) M8X30 2 Pcs.



707.000
MONTAJ PLAKASI, MONTAJ KITI
MOUNTING PLATE, MOUNTING KIT



MONTAJ PLAKASI MONTAJ PARÇALARI, 707.000 NOLU
TURUNCU KUTUDAN ÇIKMAKTADIR.

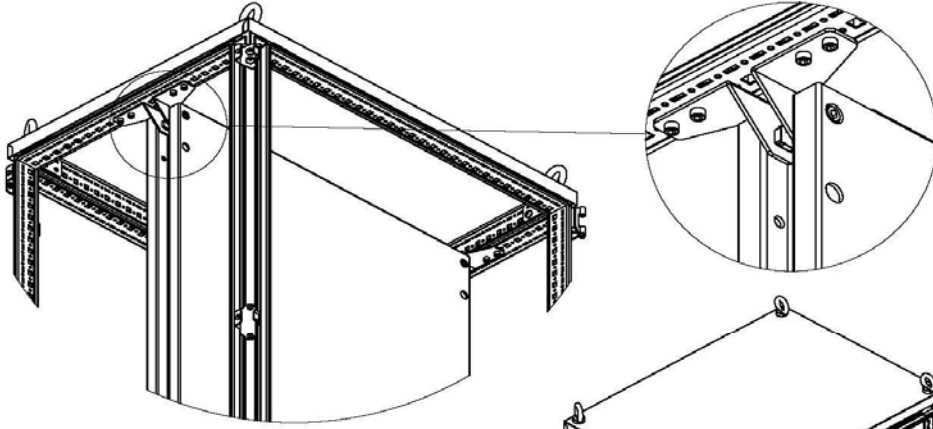
MOUNTING PLATE ASSEMBLY PARTS NUMBER 707.000
IS THE ORANGE BOX.

DOKÜMAN NO	KYT-050
REV. NO	3
SAYFA	80/24

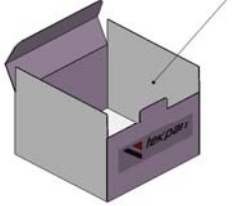
MONTAJ PLAKASI MONTAJI
MOUNTING PLATE ASSEMBLING

NOT : MONTAJ PARÇALARI PAKETİ, AYRI TURUNCU KUTUDADIR.

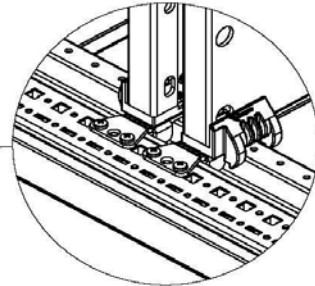
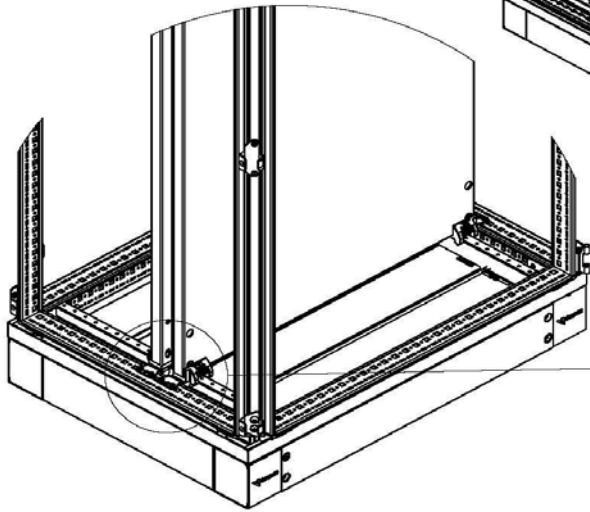
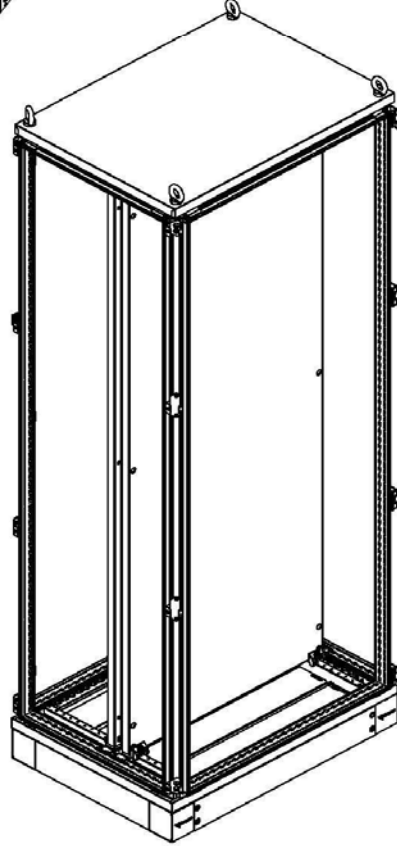
NOTE: ASSEMBLING PARTS PACKED AND DELIVERED INTO SEPARATELY ORANGE BOX.



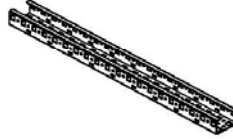
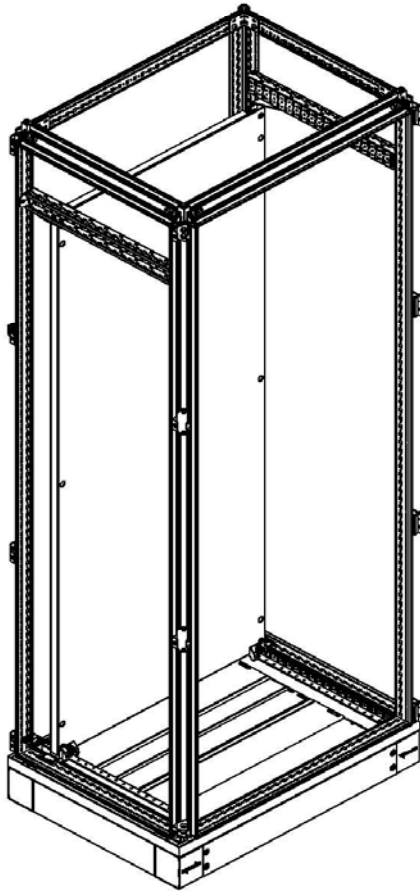
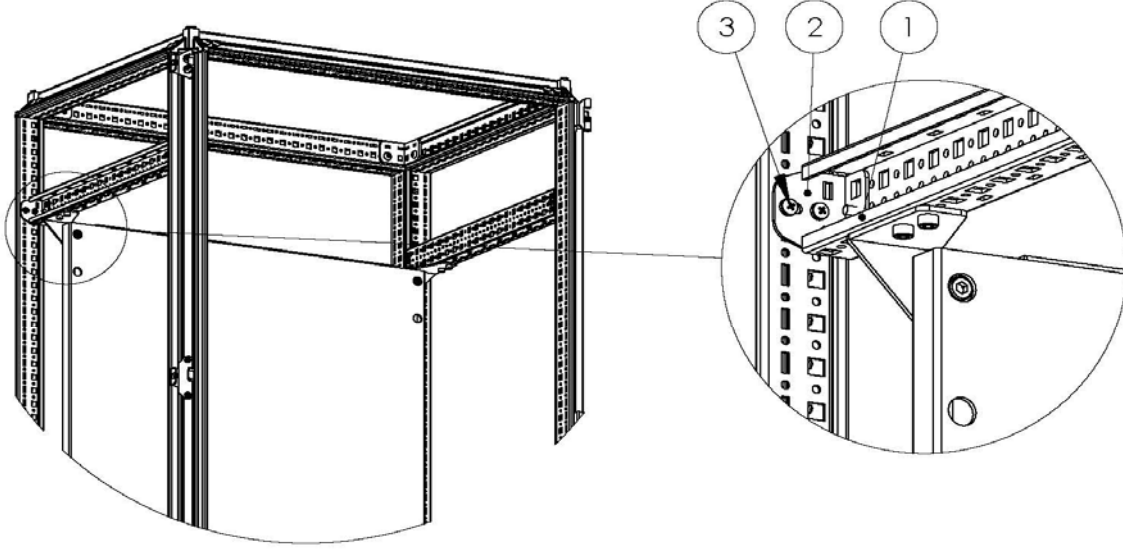
707.000
MONTAJ PLAKASI, MONTAJ KİTİ
MOUNTING PLATE, MOUNTING KIT



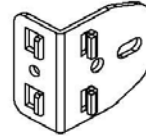
MONTAJ PLAKASI MONTAJ PARÇALARI, 707.000 NOLU
TURUNCU KUTUDAN ÇIKMAKTADIR.
MOUNTING PLATE ASSEMBLY PARTS NUMBER 707.000
IS THE ORANGE BOX.



DOKÜMAN NO	KYT-050
REV. NO	3
SAYFA	80/25

KISA MONTAJ PLAKASI UYGULAMASI
SHORT MOUNTING PLATE APPLICATION

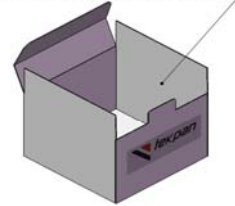
1) 2 Pcs.



2) 4 Pcs.

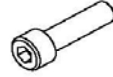
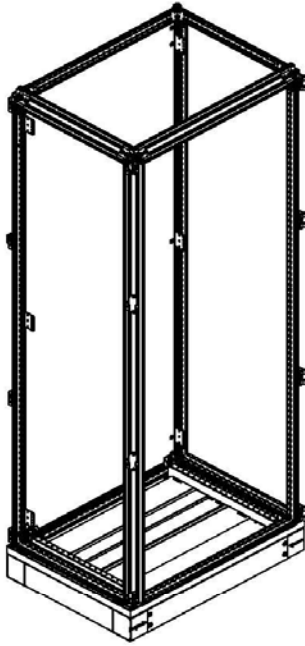
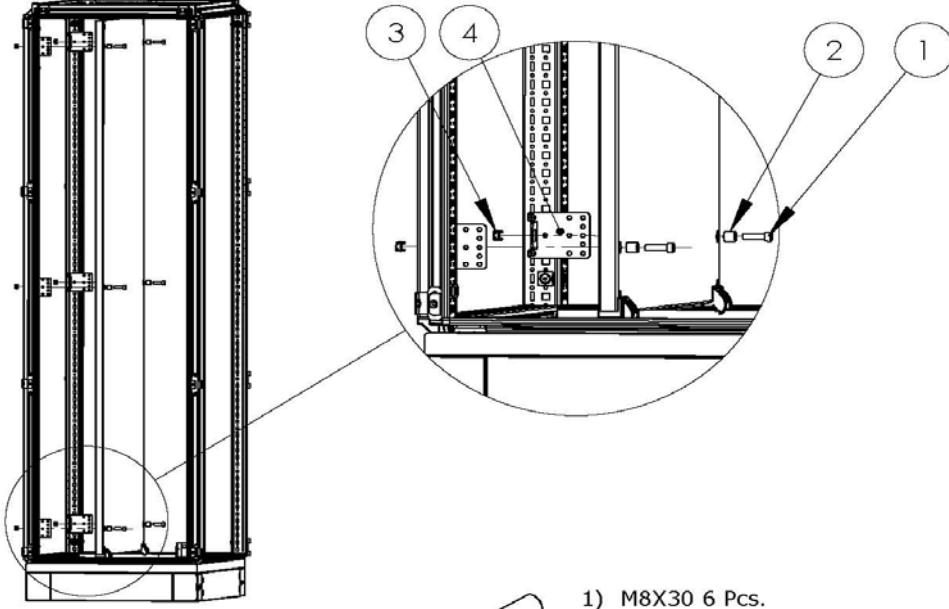


3) M5x10 12 Pcs.

707.000
MONTAJ PLAKASI, MONTAJ KİTİ
MOUNTING PLATE, MOUNTING KITMONTAJ PLAKASI MONTAJ PARÇALARI, 707.000 NOLU
TURUNCU KUTUDAN ÇIKMAKTADIR.MOUNTING PLATE ASSEMBLY PARTS NUMBER 707.000
IS THE ORANGE BOX.

MONTAJ PLAKASI SIRTA DAYAMA SİSTEMİ
MOUNTING PLATE LEANING SYSTEM

DOKÜMAN NO	KYT-050
REV. NO	3
SAYFA	80/26



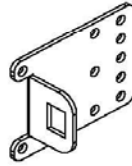
1) M8X30 6 Pcs.



2) 6 Pcs.



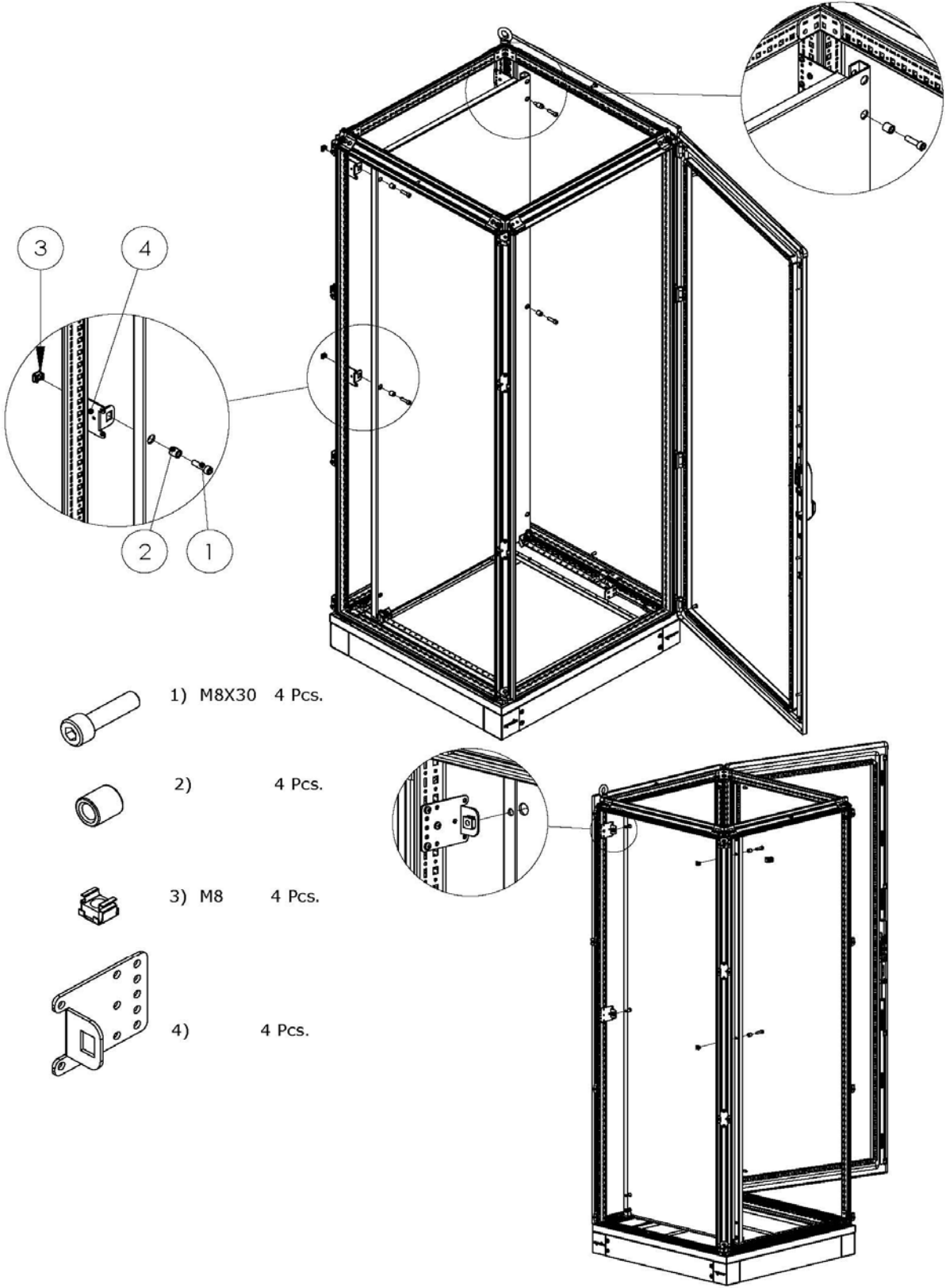
3) M8 6 Pcs.



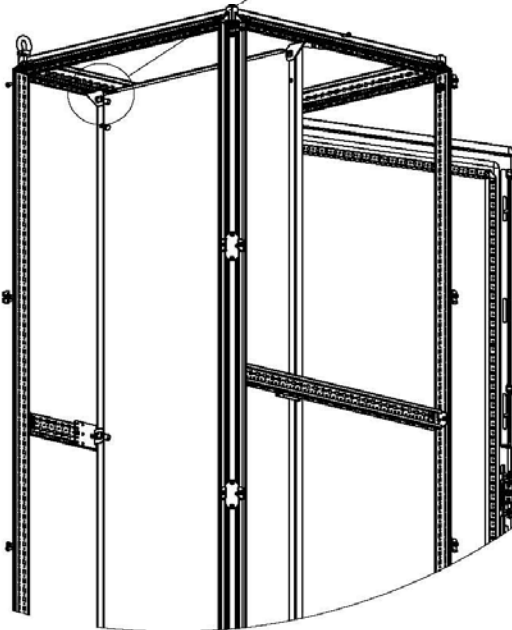
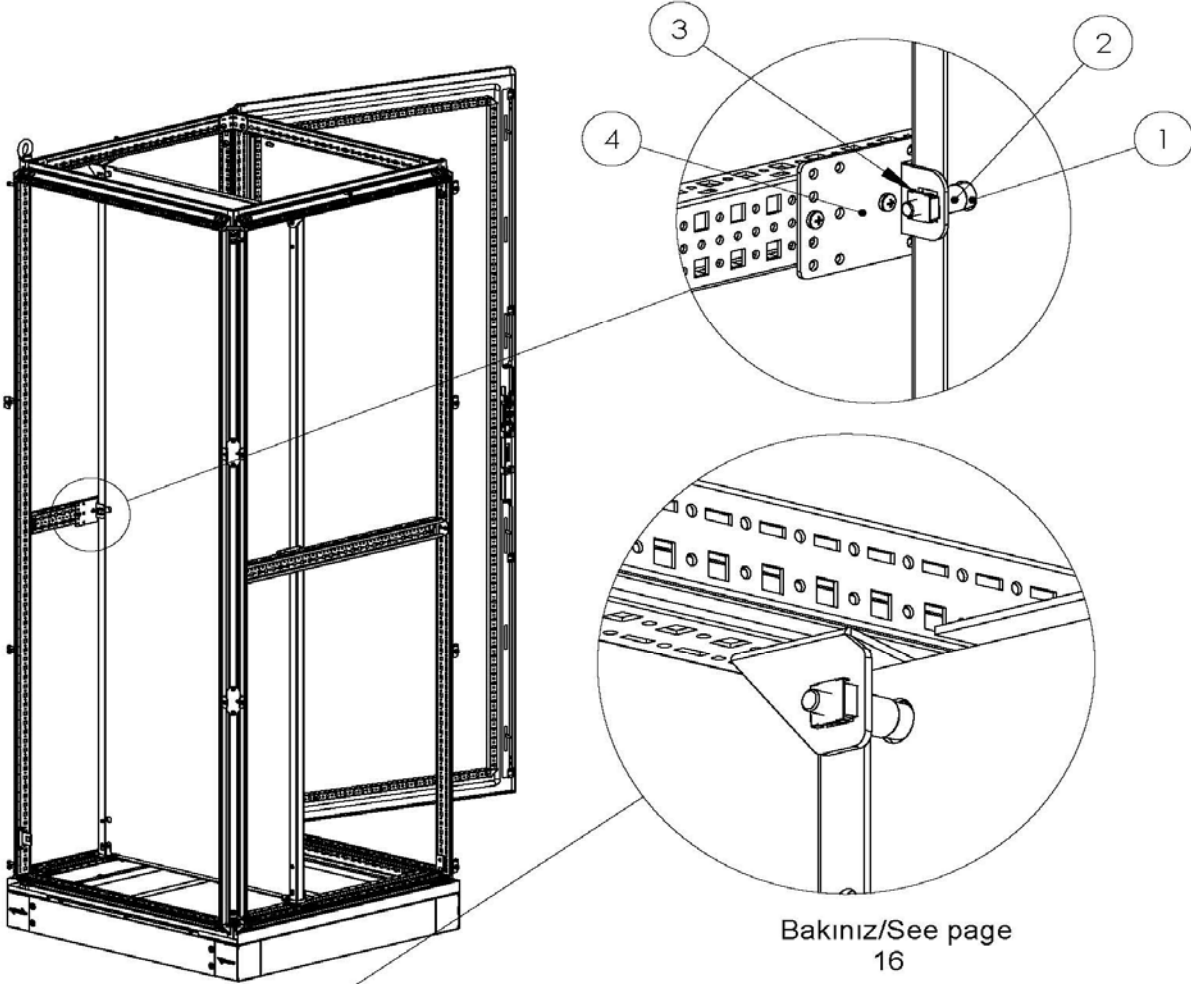
4) 6 Pcs.

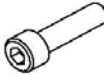


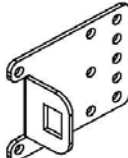
MONTAJ PLAKASI SIRTA DAYAMA SİSTEMİ
MOUNTING PLATE LEANING SYSTEM

DOKÜMAN NO	KYT-050
REV. NO	3
SAYFA	80/27



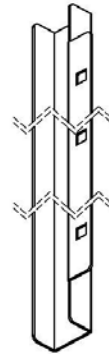
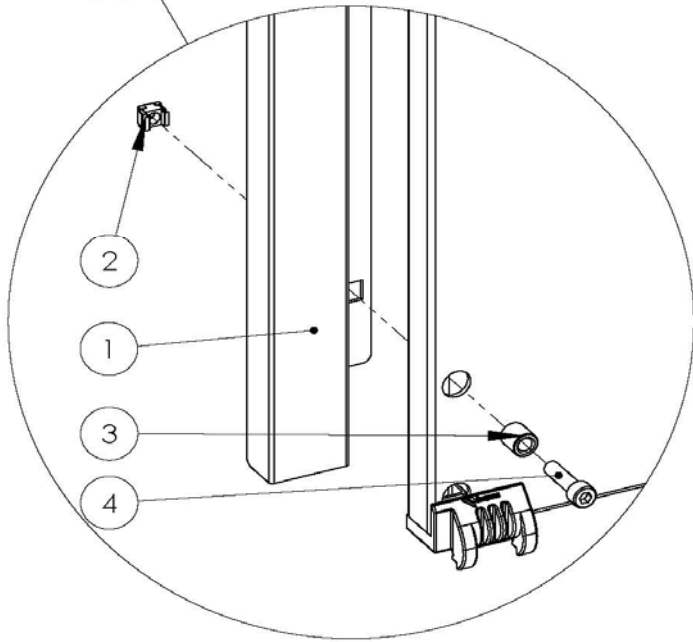
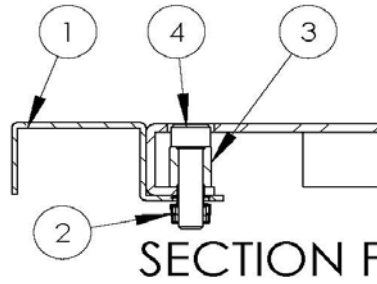
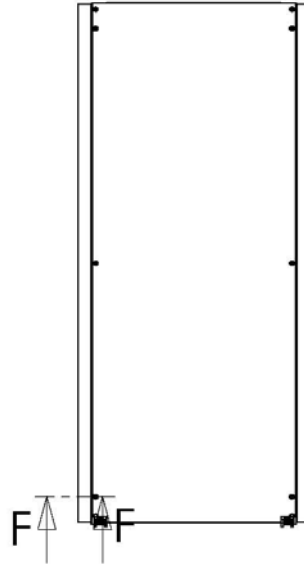
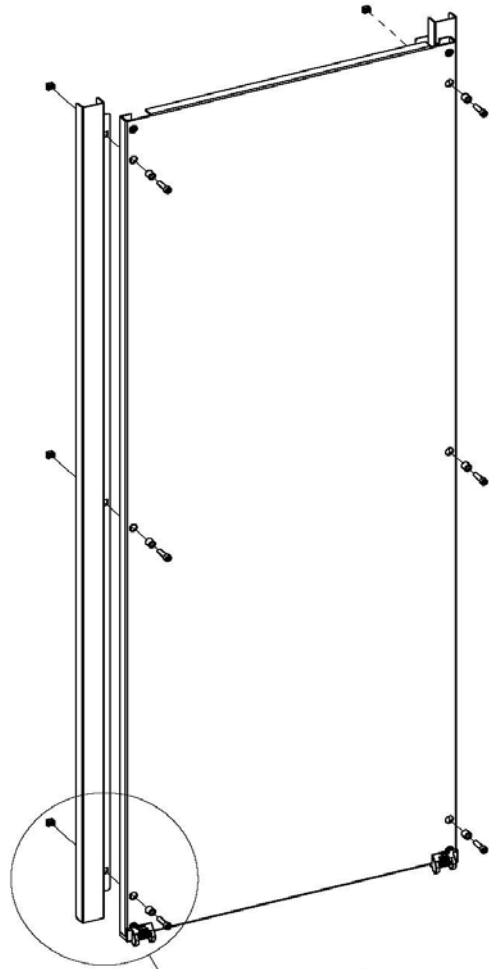
DOKÜMAN NO	KYT-050
REV. NO	3
SAYFA	80/28

MONTAJ PLAKASI ORTADAN DESTEK
MIDDLE SUPPORT MOUNTING PLATE

-  1) M8X30 4 Pcs.
-  2) 4 Pcs.
-  3) M8 4 Pcs.
-  4) 4 Pcs.

MONTAJ PLAKASI KENAR UZATMA
MOUNTING PLATE FOR CORNER EXTENSION

DOKÜMAN NO	KYT-050
REV. NO	3
SAYFA	80/29



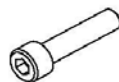
1) 2 Pcs.



2) M8 6 Pcs.



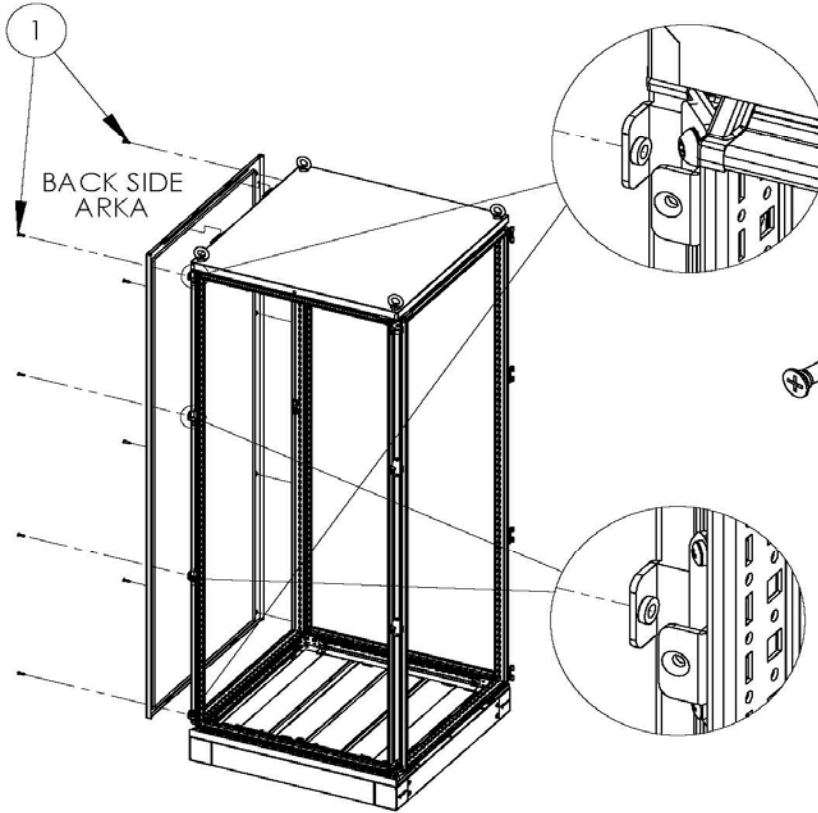
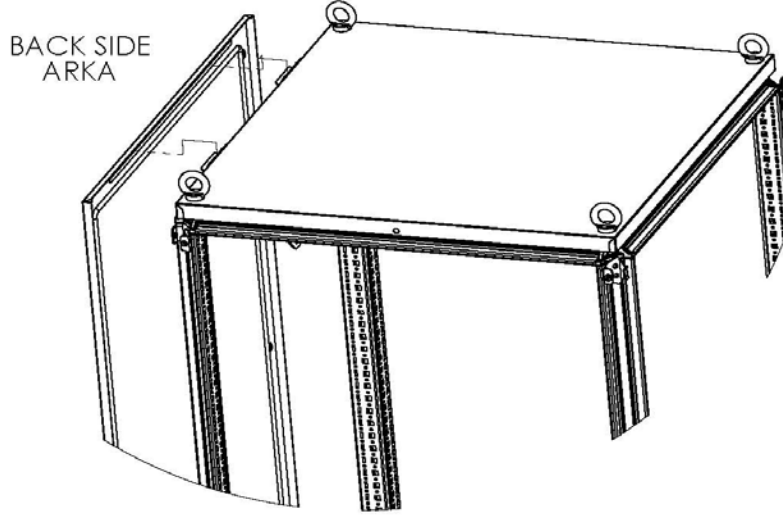
3) 6 Pcs.



4) M8x30 6 Pcs.

DOKÜMAN NO	KYT-050
REV. NO	3
SAYFA	80/30

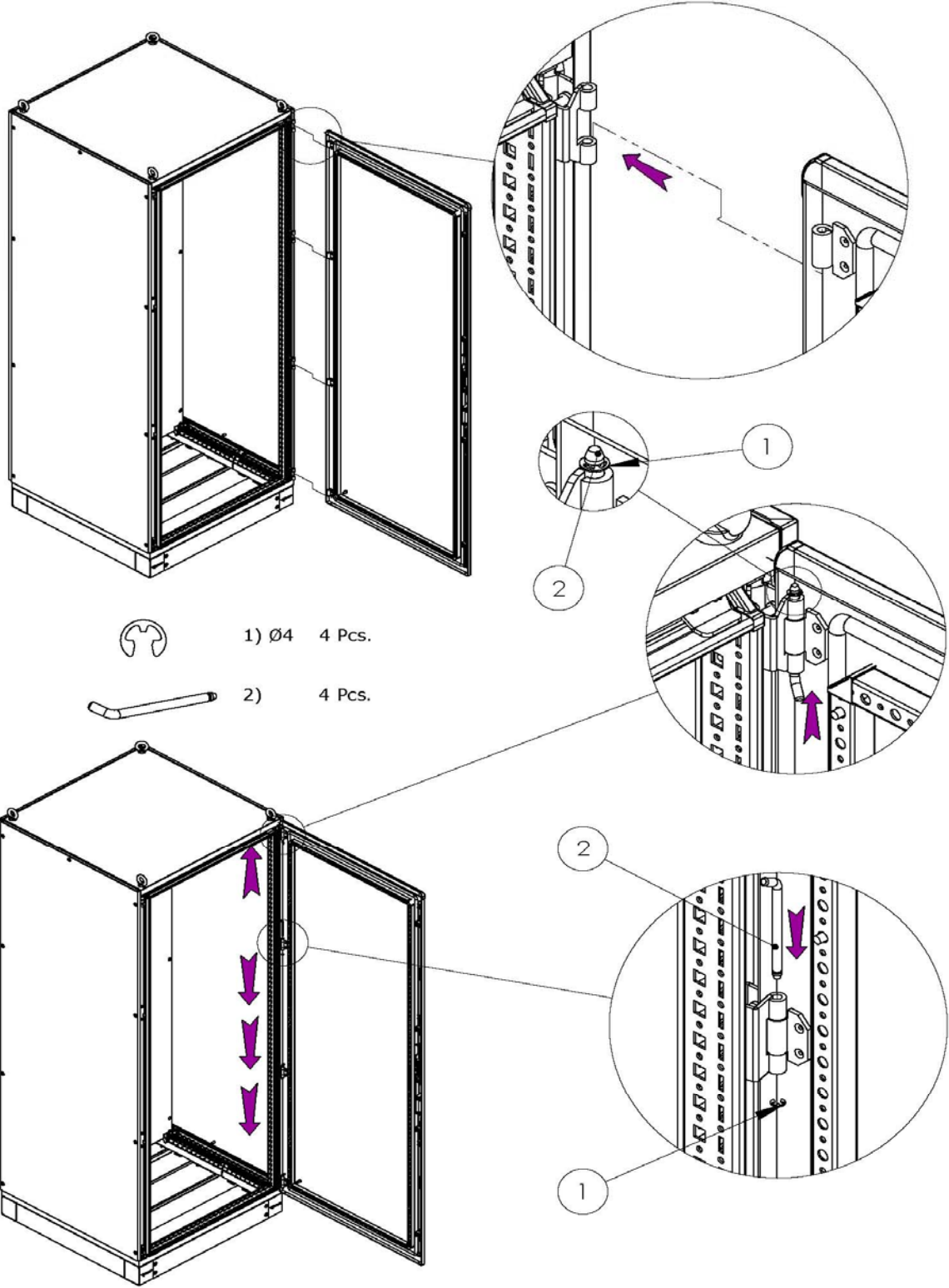
ARKA KAPAK MONTAJI
REAR PANEL ASSEMBLING



1) M6X23 8 Pcs.

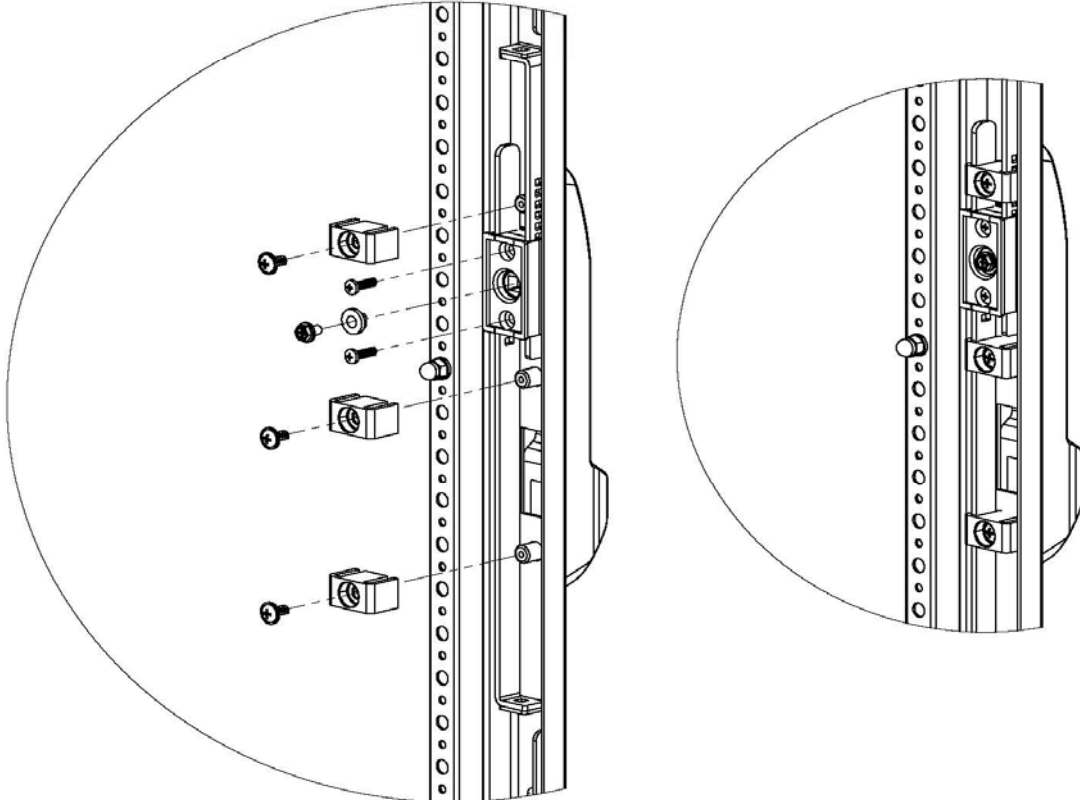
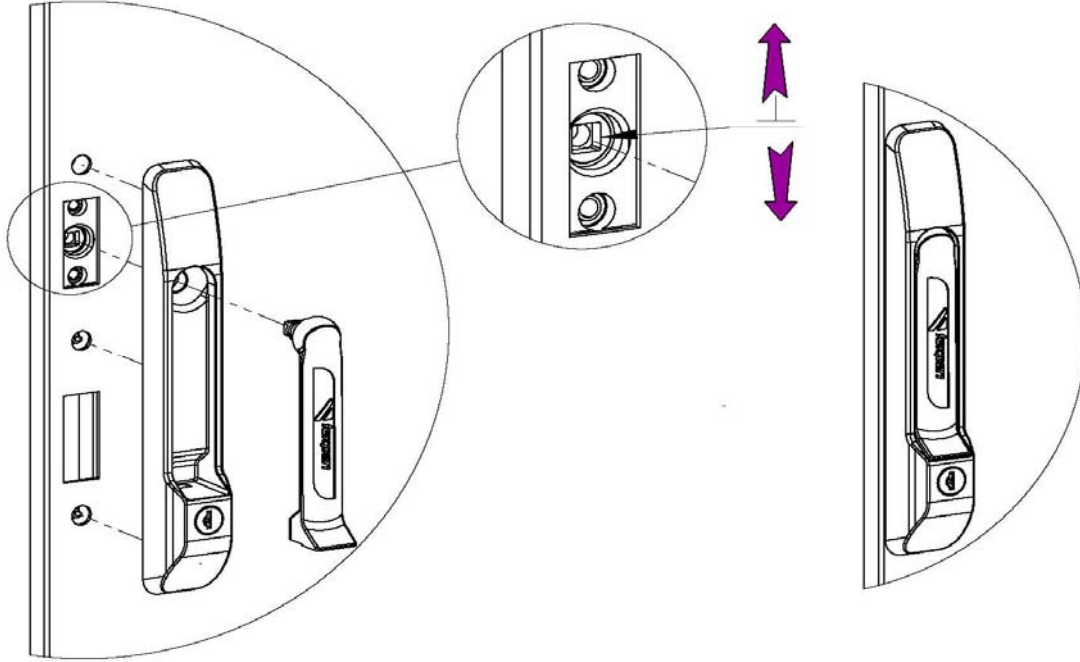
DOKÜMAN NO	KYT-050
REV. NO	3
SAYFA	80/31

ÖN KAPAK MONTAJI
FRONT DOOR ASSEMBLING

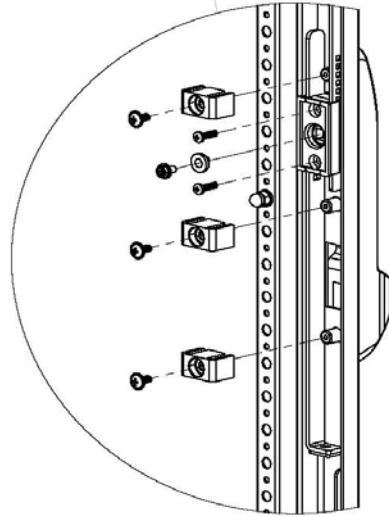
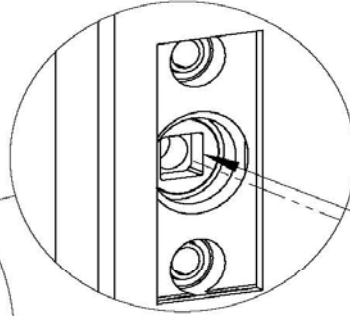
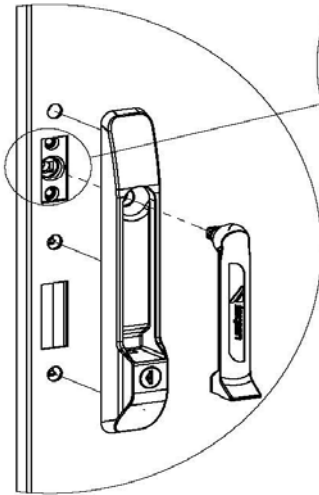
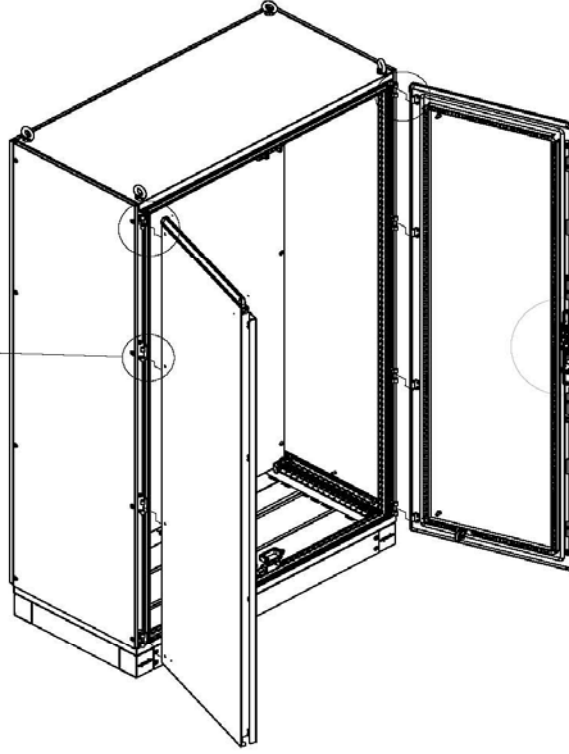
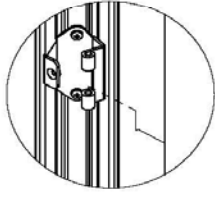
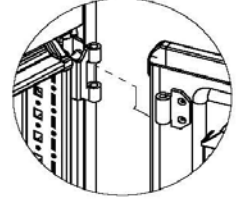
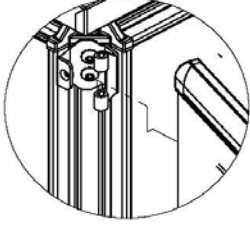


DOKÜMAN NO	KYT-050
REV. NO	3
SAYFA	80/32

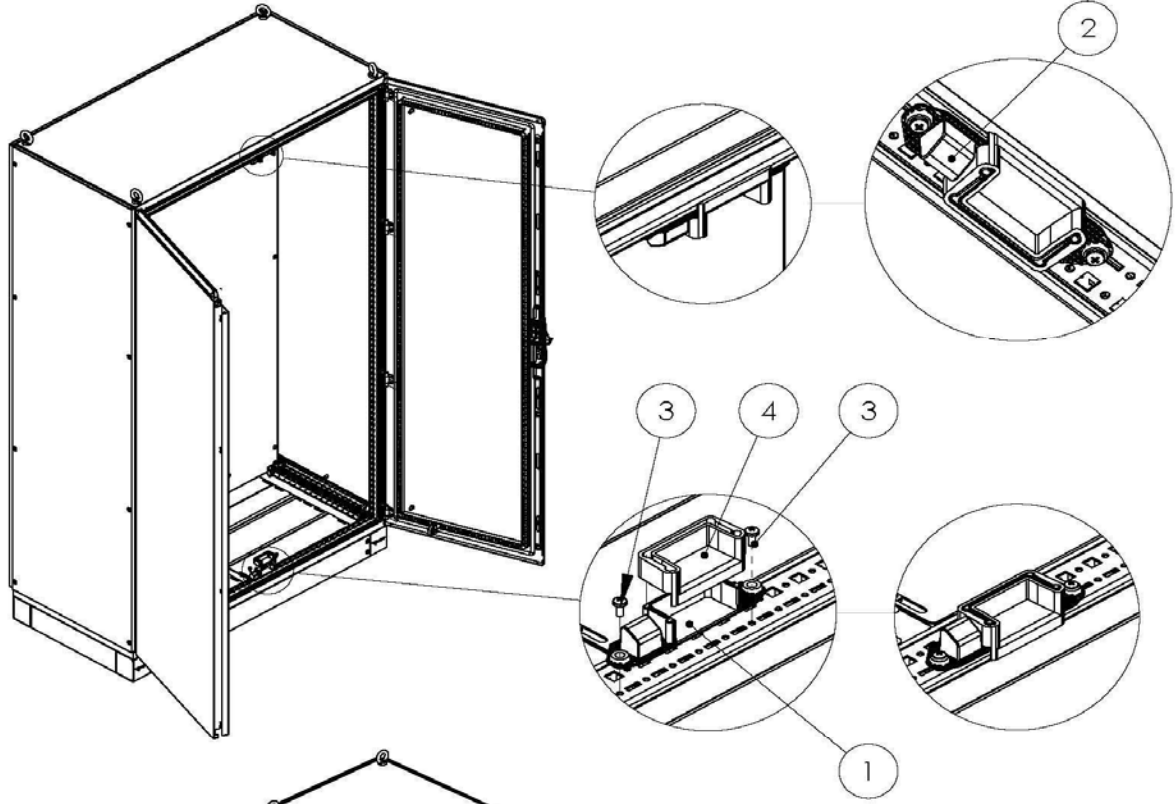
ÖN KAPAK MONTAJI
FRONT DOOR ASSEMBLING



DOKÜMAN NO	KYT-050
REV. NO	3
SAYFA	80/33

ÖN KAPAK MONTAJI
FRONT DOOR ASSEMBLING

DOKÜMAN NO	KYT-050
REV. NO	3
SAYFA	80/34

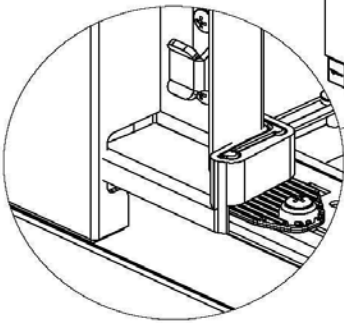
ÖN KAPAK MONTAJI
FRONT DOOR ASSEMBLING

1) Bottom 1 Pcs.

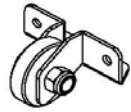
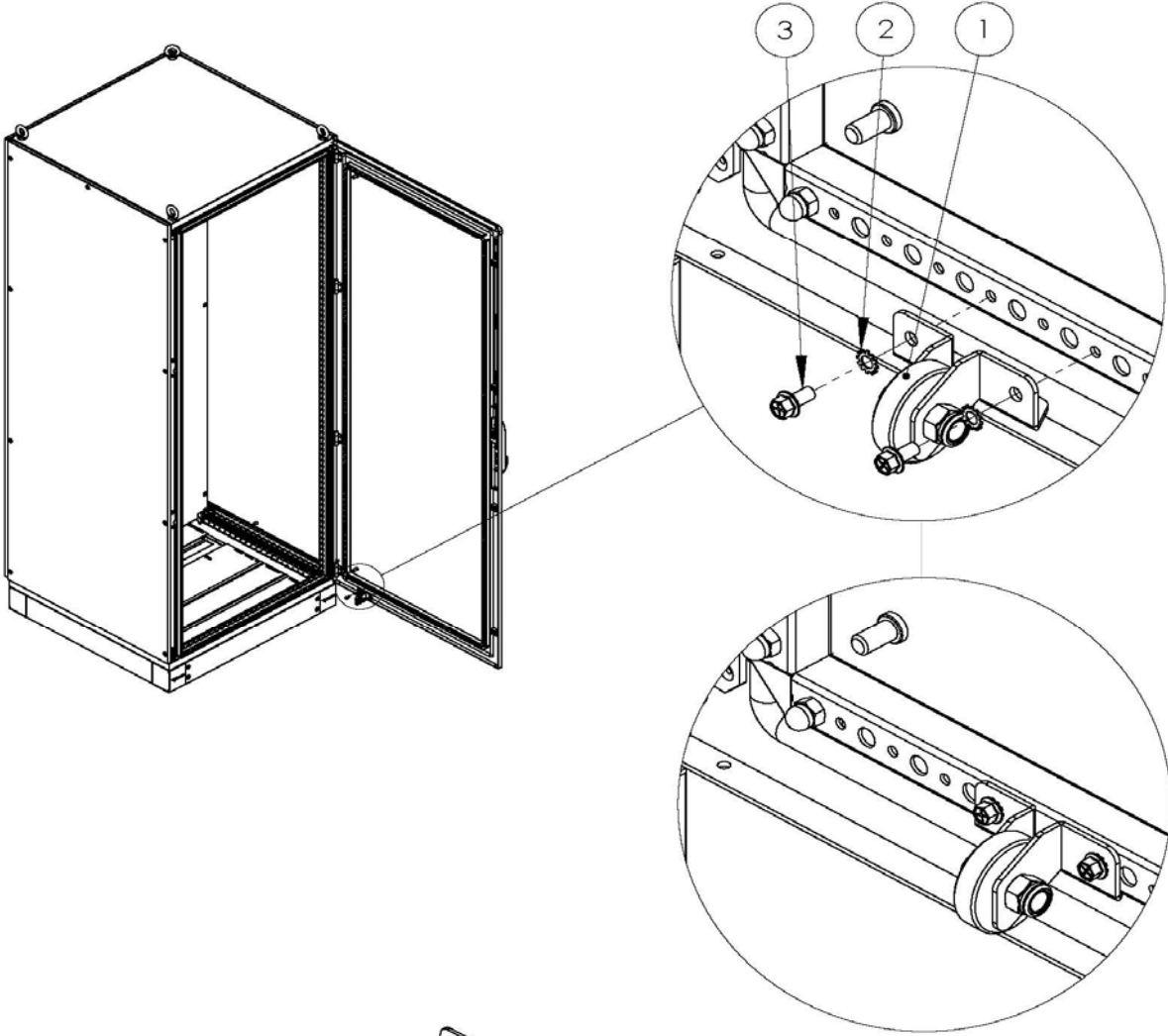
2) Top 1 Pcs.

3) M5X16 4 Pcs.

4) 2 Pcs.



DOKÜMAN NO	KYT-050
REV. NO	3
SAYFA	80/35

ÖN KAPAK MONTAJI
FRONT DOOR ASSEMBLING

1) 1 Pcs.

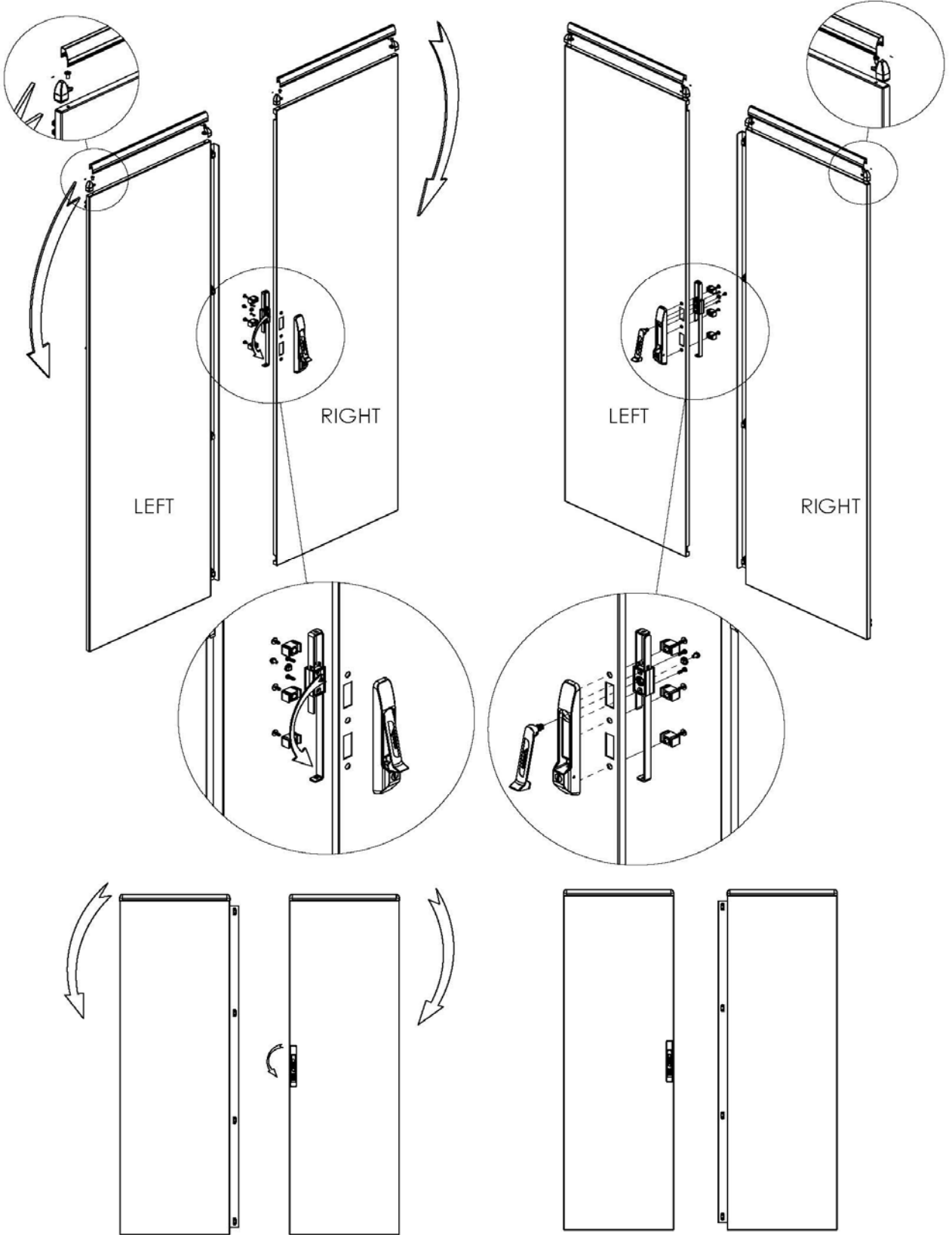


2) M5 2 Pcs.

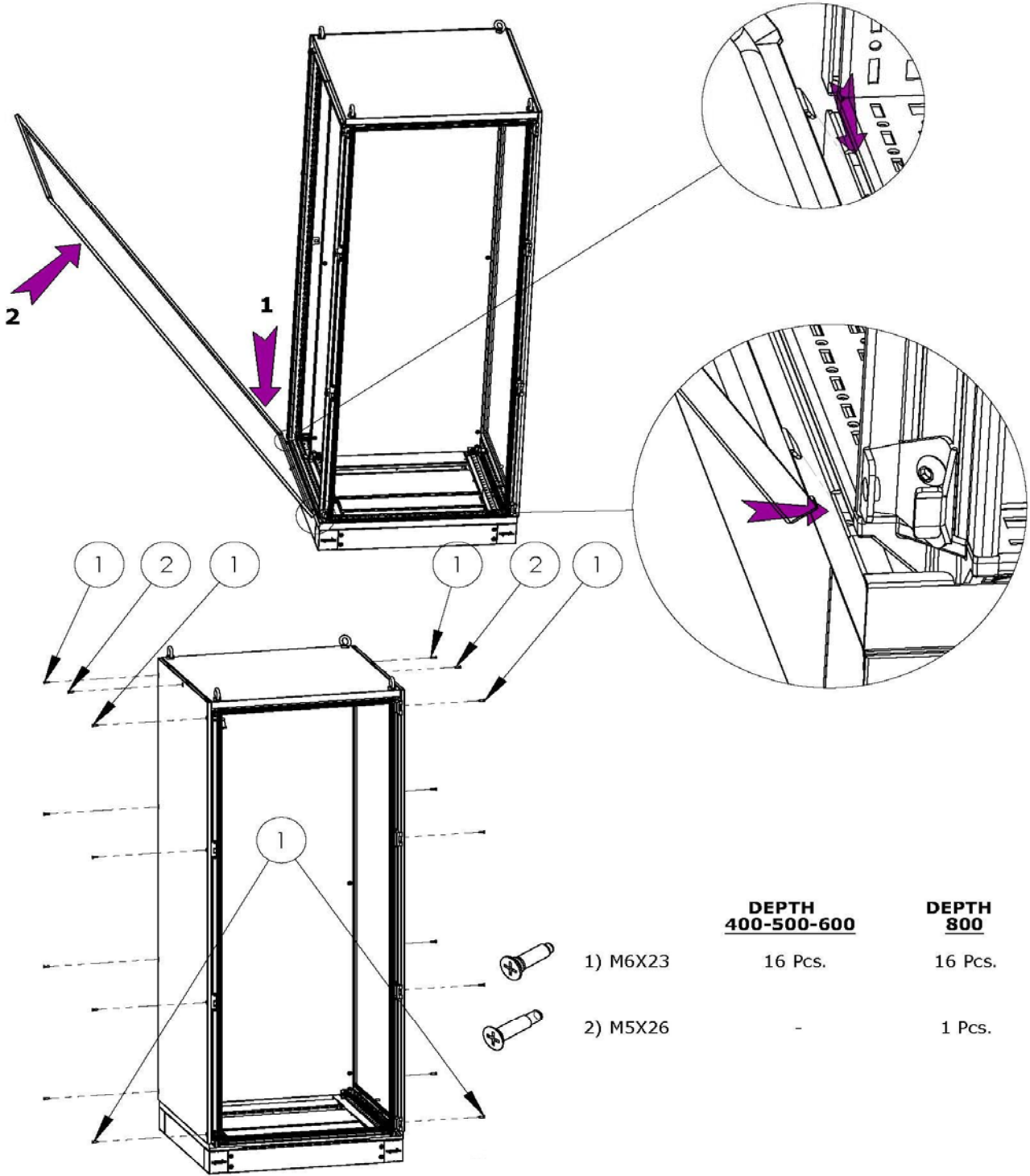


3) M5x10 2 Pcs.

DOKÜMAN NO	KYT-050
REV. NO	3
SAYFA	80/36

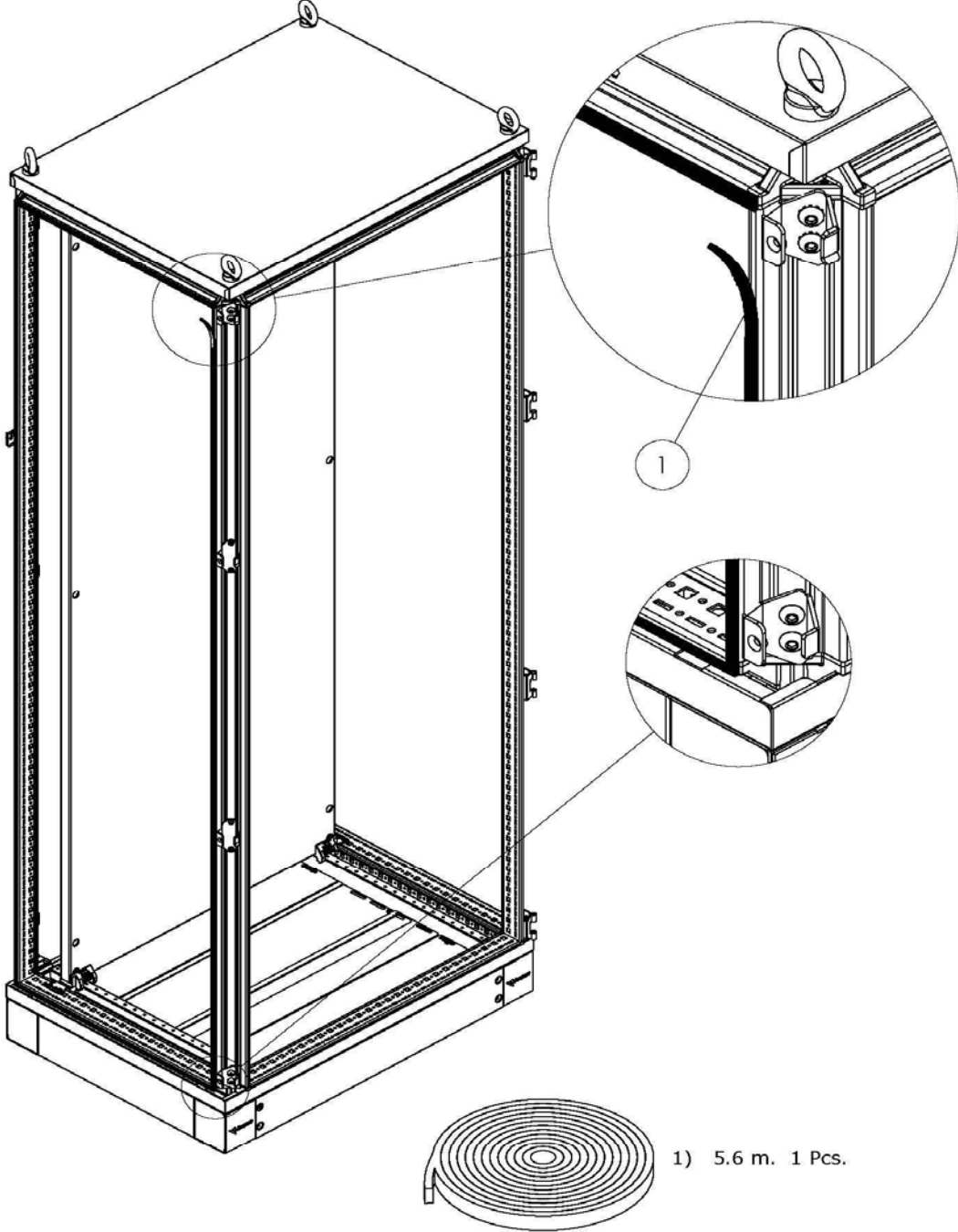
ÖN KAPAK YÖN DEĞİŞTİRME
FRONT COVER CHANGE DIRECTION

DOKÜMAN NO	KYT-050
REV. NO	3
SAYFA	80/37

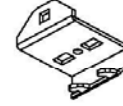
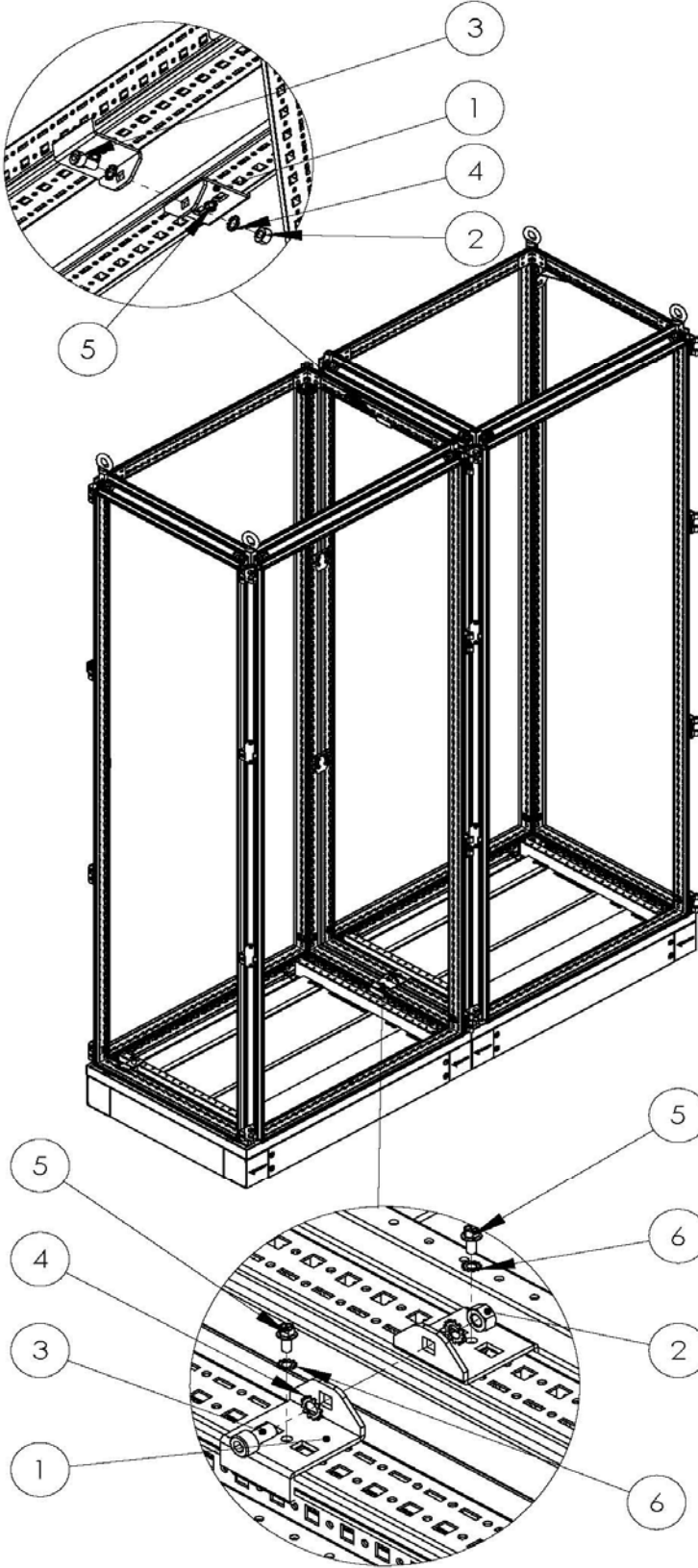
YAN KAPAK MONTAJI
SIDE PANEL ASSEMBLING

BİRLEŞTİRME SİSTEMİ
BAYING SYSTEM

DOKÜMAN NO	KYT-050
REV. NO	3
SAYFA	80/38



DOKÜMAN NO	KYT-050
REV. NO	3
SAYFA	80/39

BİRLEŞTİRME SİSTEMİ
BAYING SYSTEM

1) 4 Pcs.



2) M8 2 Pcs.



3) M8x16 2 Pcs.



4) M8 4 Pcs.



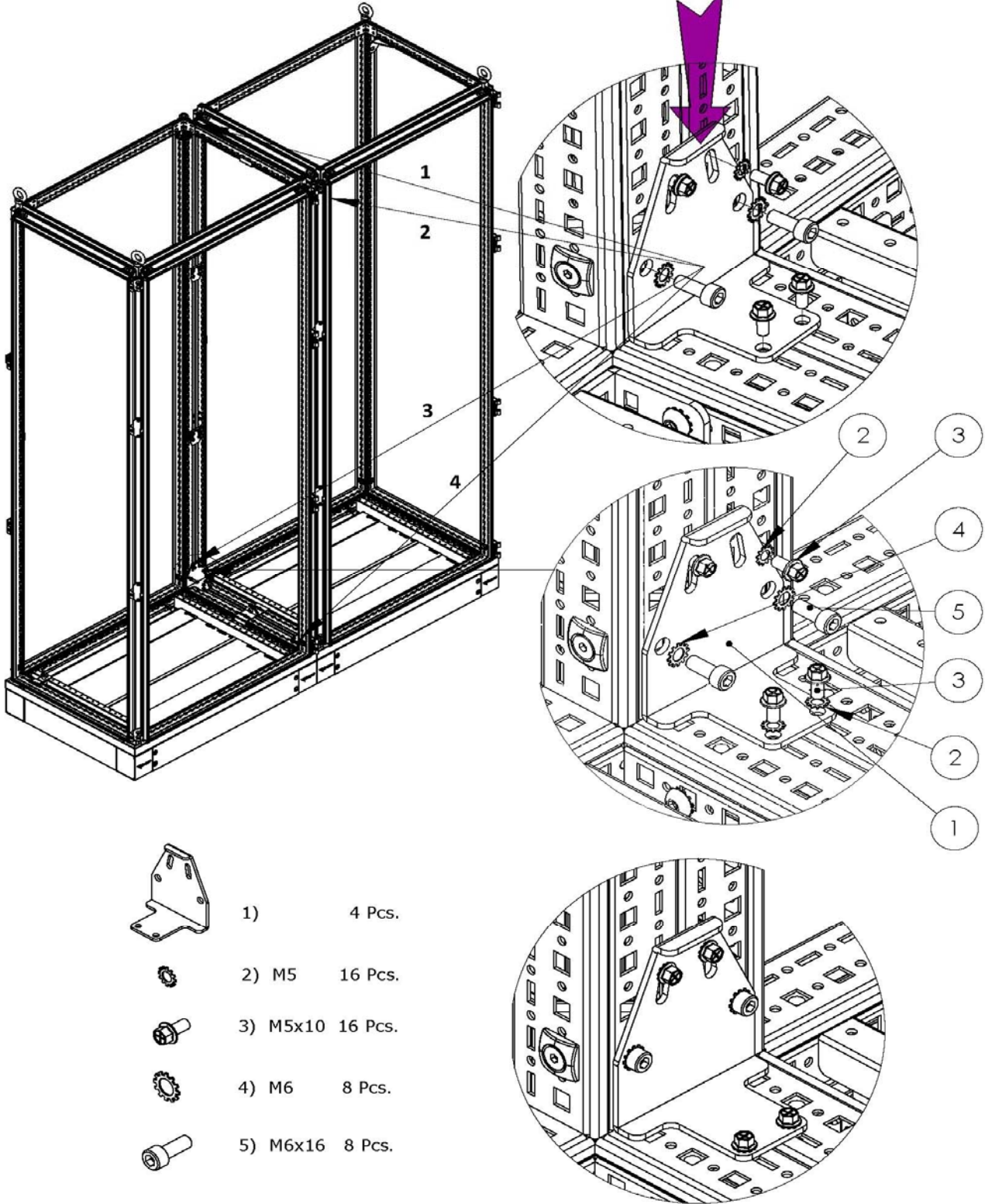
5) M5x10 4 Pcs.



6) M5 4 Pcs.

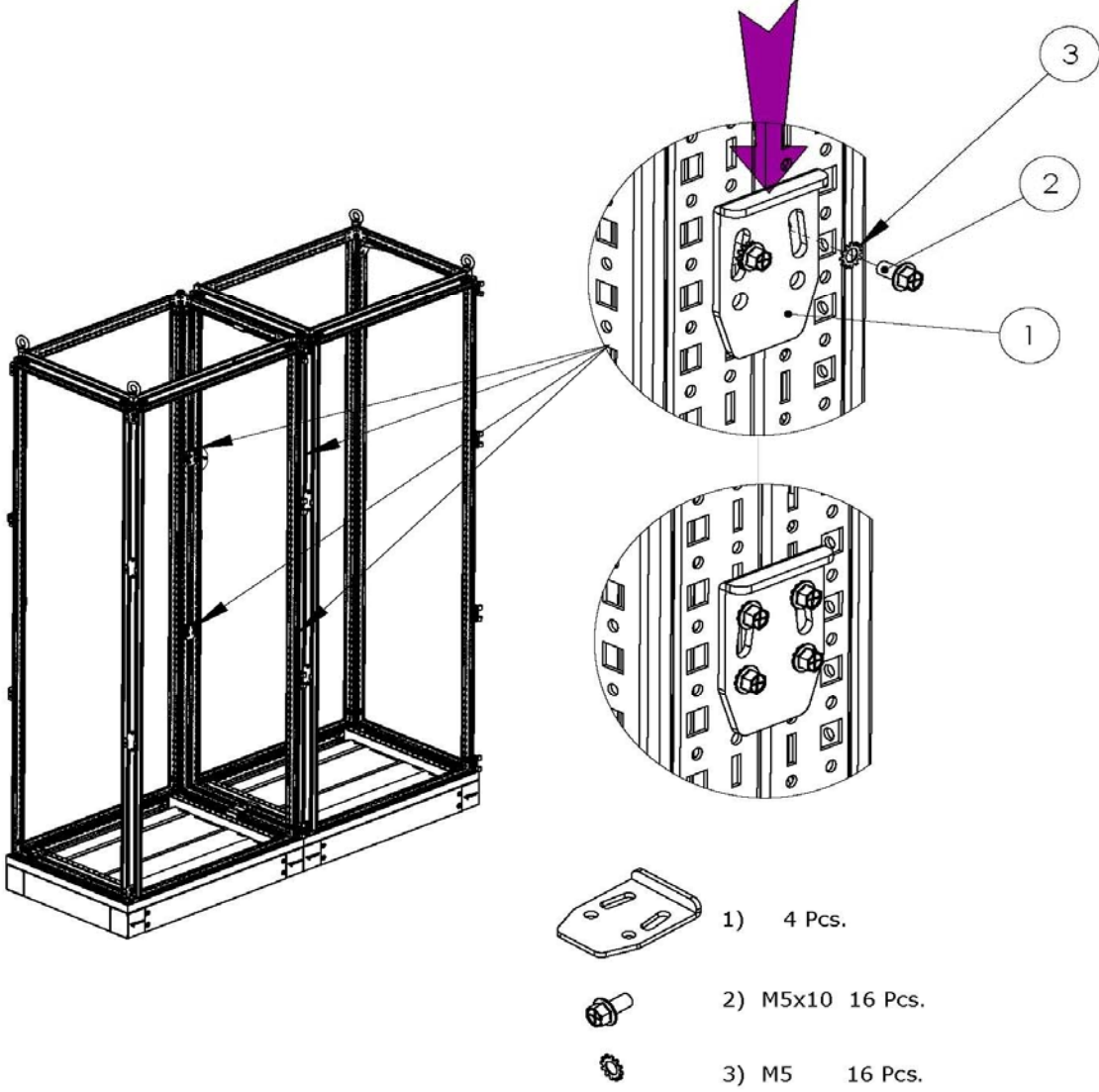
BİRLEŞTİRME SİSTEMİ
BAYING SYSTEM

DOKÜMAN NO	KYT-050
REV. NO	3
SAYFA	80/40



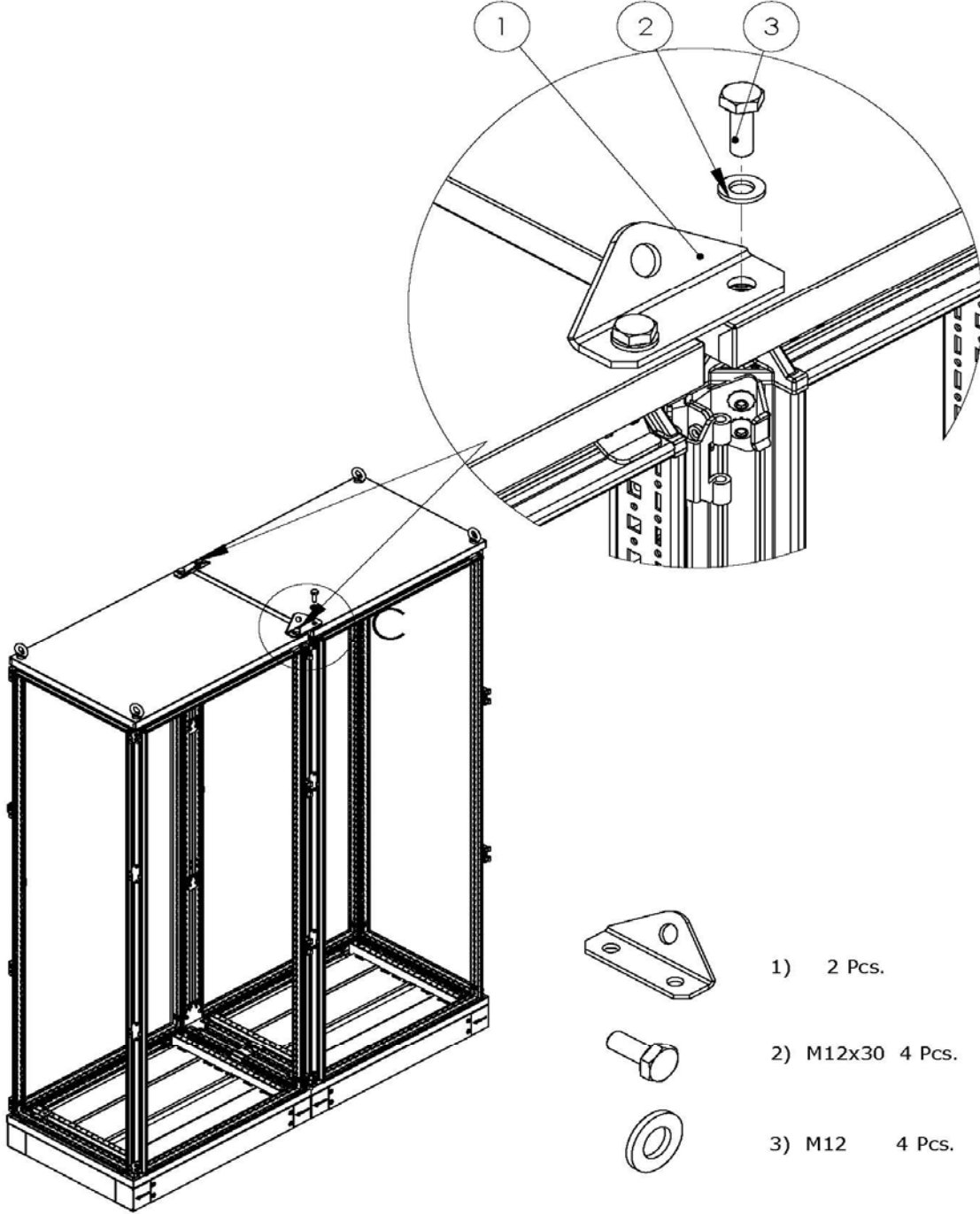
BİRLEŞTİRME SİSTEMİ
BAYING SYSTEM

DOKÜMAN NO	KYT-050
REV. NO	3
SAYFA	80/41

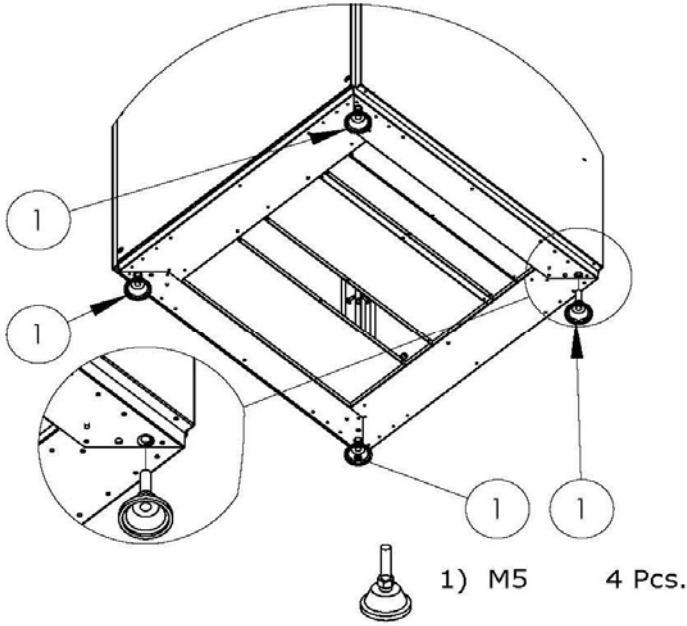
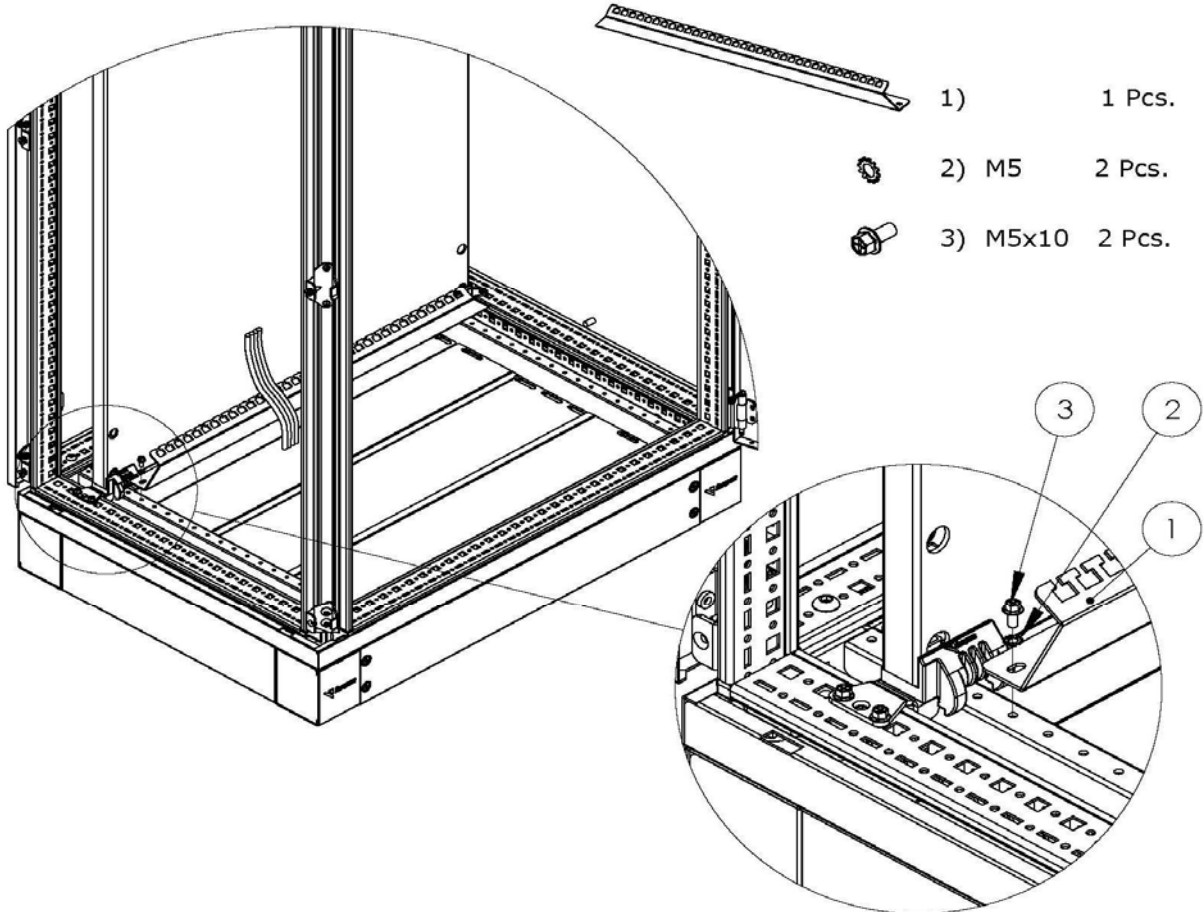


BİRLEŞTİRME SİSTEMİ
BAYING SYSTEM

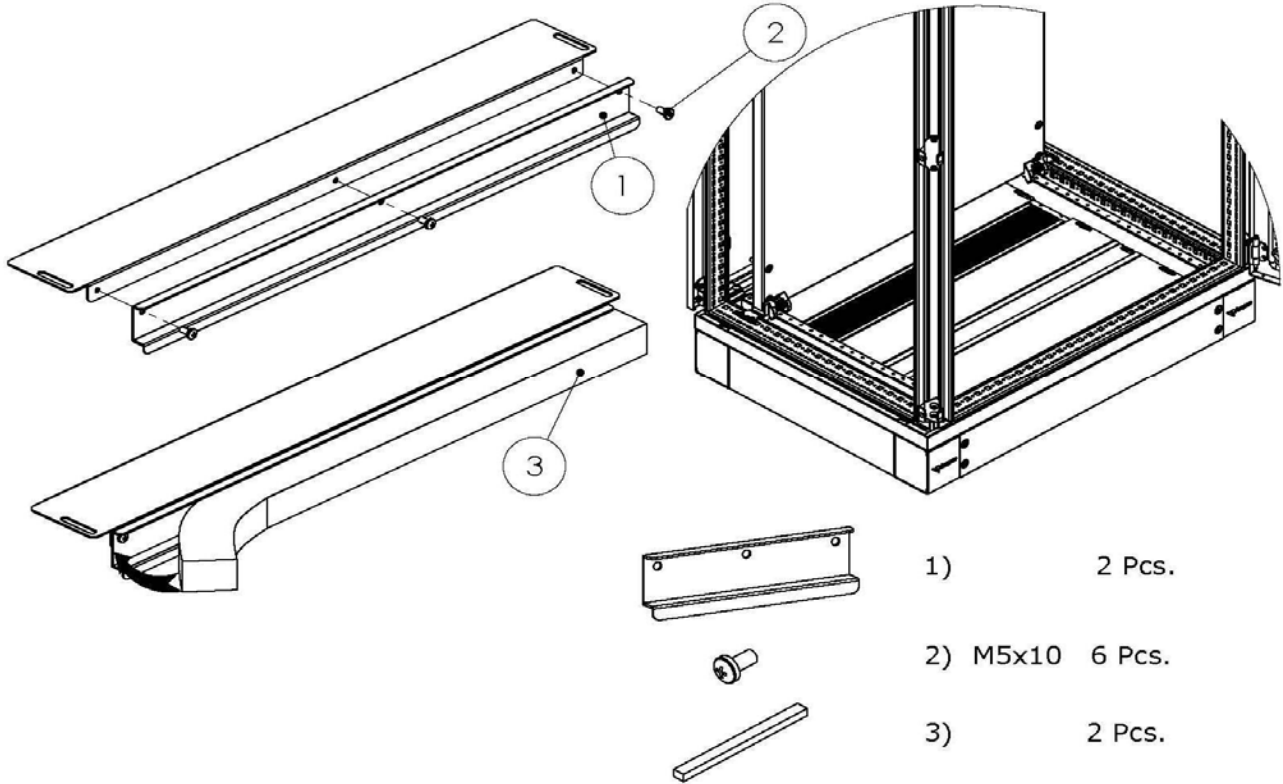
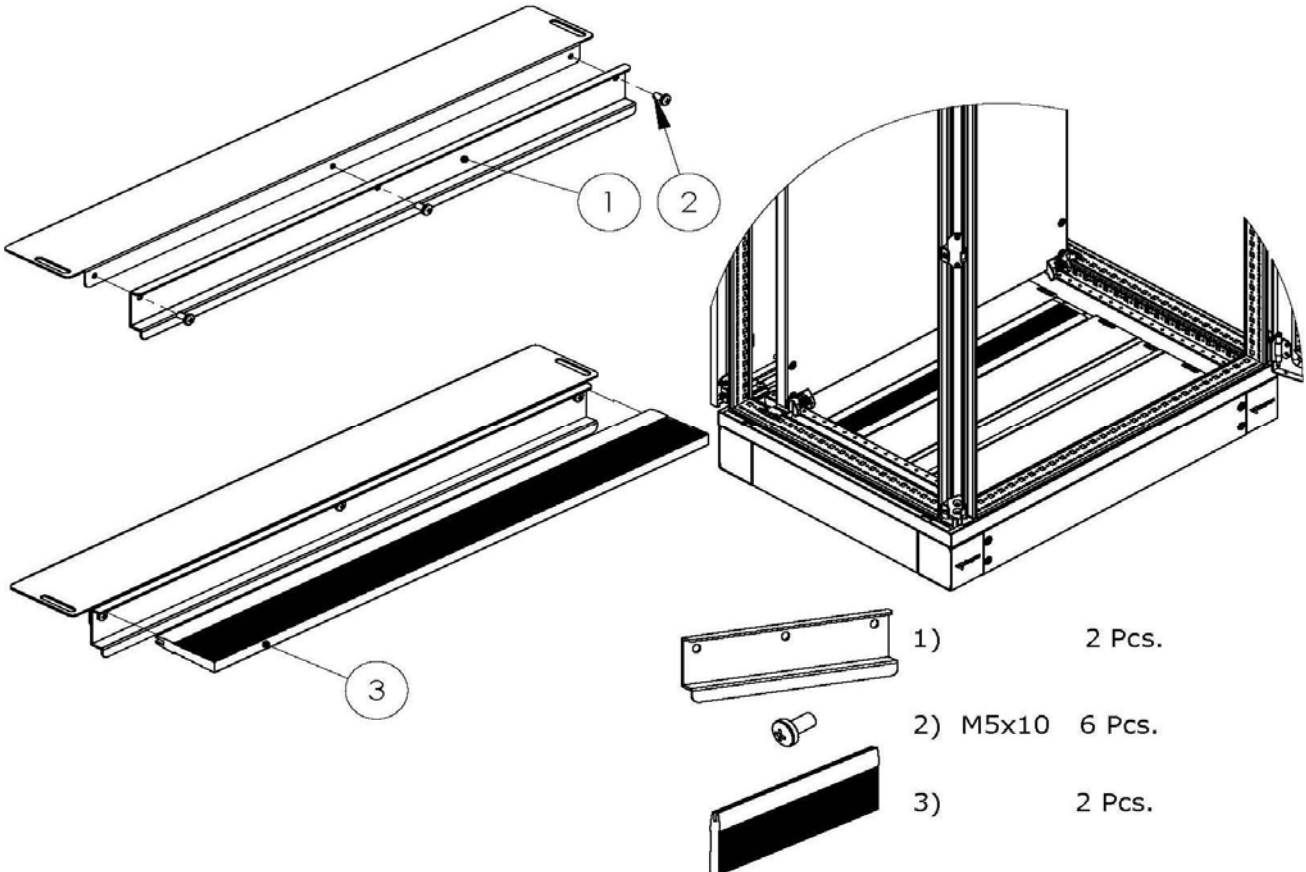
DOKÜMAN NO	KYT-050
REV. NO	3
SAYFA	80/42



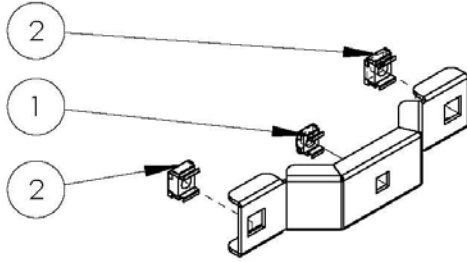
DOKÜMAN NO	KYT-050
REV. NO	3
SAYFA	80/43



AYARLI AYAK MONTAJI
LEVELING FEET ASSEMBLING**KABLO TUTUCU PROFİL MONTAJI**
CABLE CLAMP RAIL ASSEMBLING

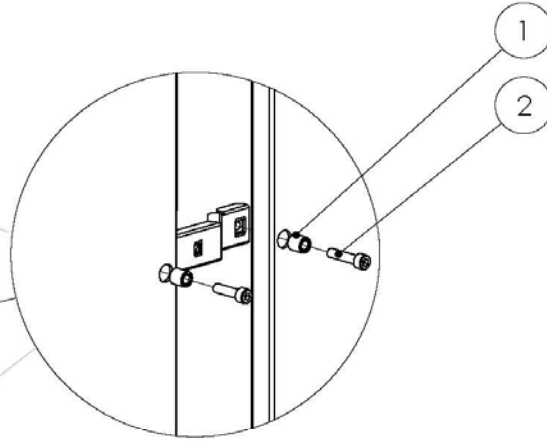
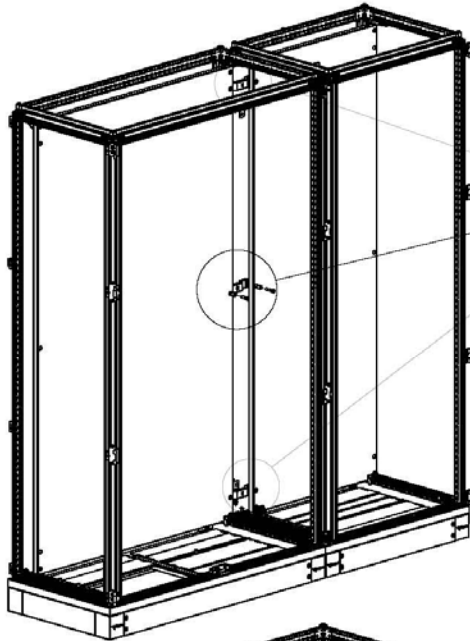
DOKÜMAN NO	KYT-050
REV. NO	3
SAYFA	80/44


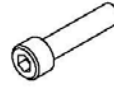

SÜNGERLİ KABLO GİRİŞİ MONTAJI.
FOAM GASKET GLAND ASSEMBLING.**FIRÇALI KABLO GİRİŞİ MONTAJI.**
BRUSHED GASKET GLAND ASSEMBLING.

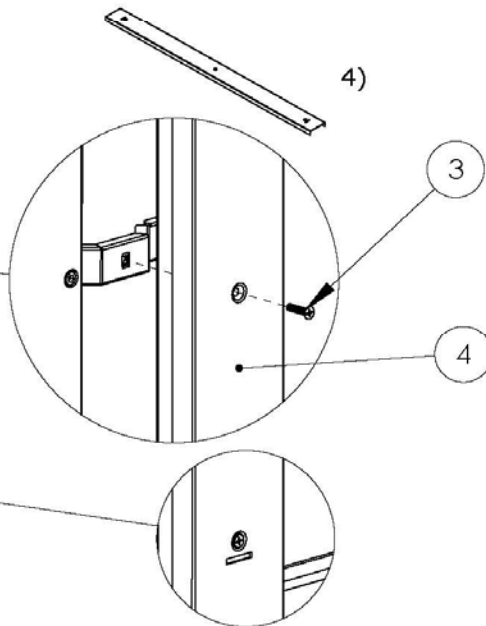
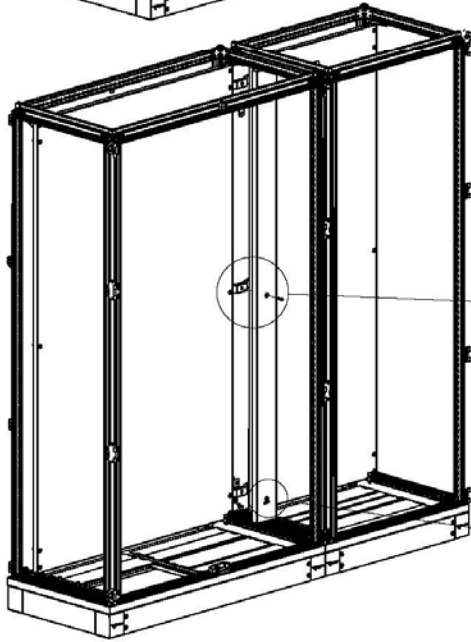
DOKÜMAN NO	KYT-050
REV. NO	3
SAYFA	80/45

ARA MONTAJ PLAKASI MONTAJI.
INTERMEDIATE MOUNTING PLATE ASSEMBLING.

-  1) M6 1 Pcs.
-  2) M8 2 Pcs.



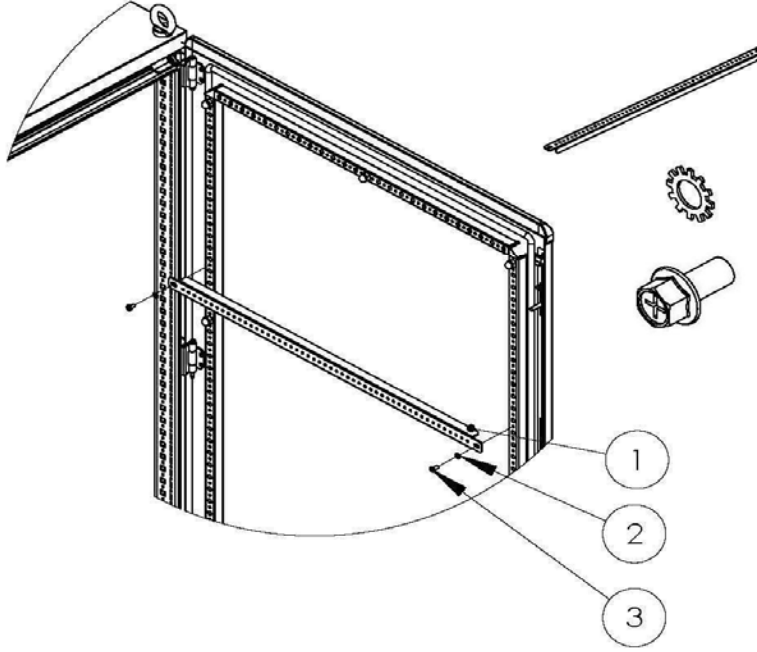
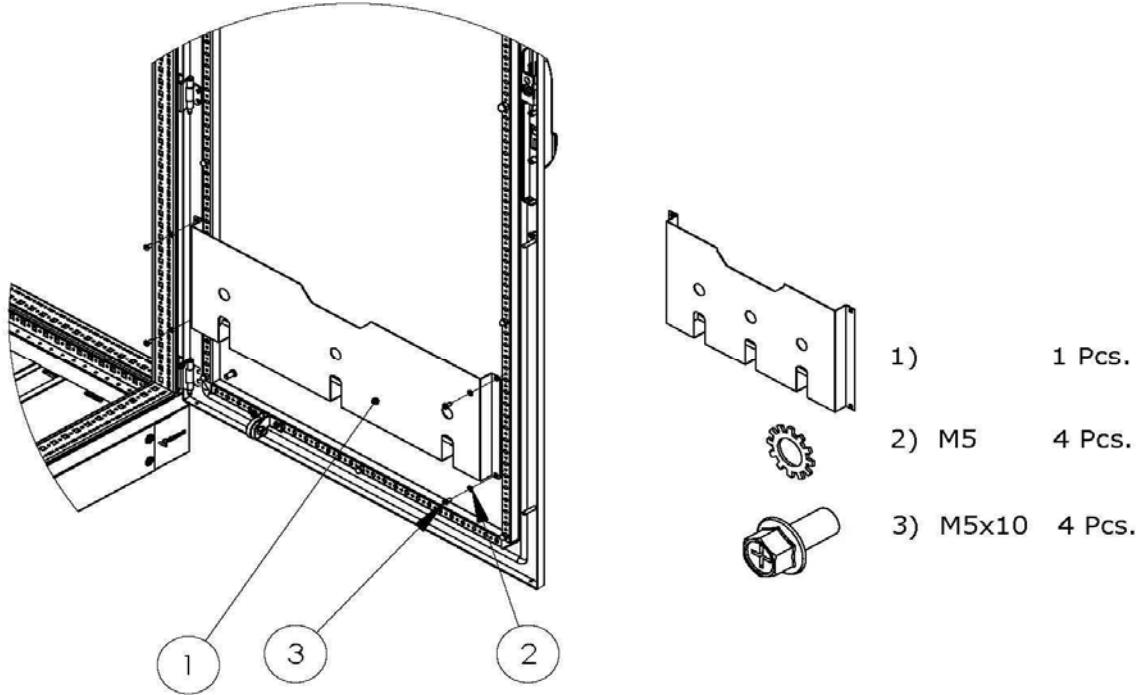
-  1) 6 Pcs.
-  2) M8x30 6 Pcs.
-  3) M6x25 3 Pcs.



-  4) 1 Pcs.

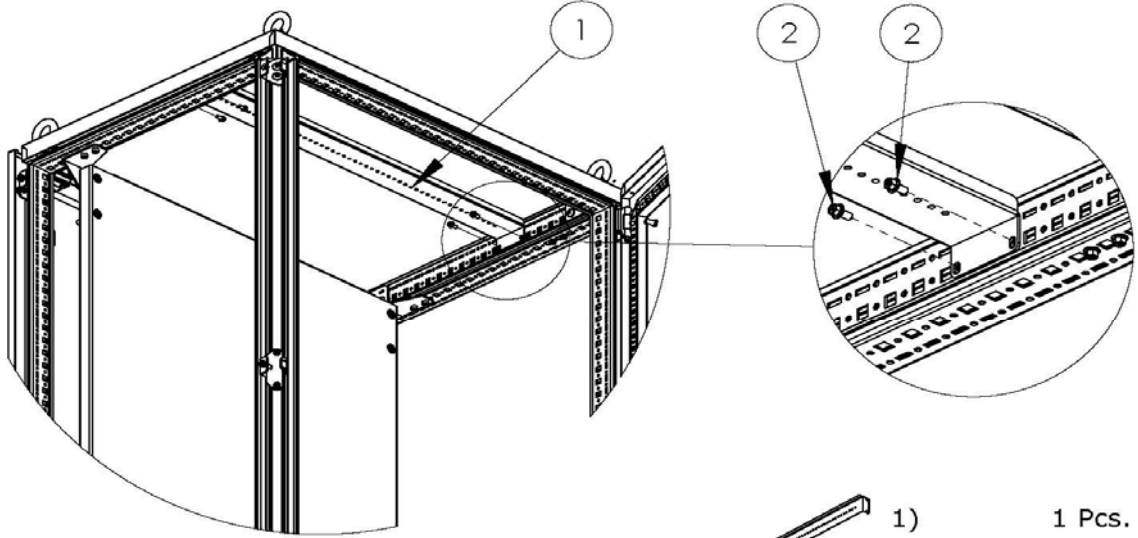
KAPI KANAL PROFİLİ MONTAJI.
CABLE TRAY DOOR RAIL ASSEMBLING.

DOKÜMAN NO	KYT-050
REV. NO	3
SAYFA	80/46

**METAL PROJE CEBİ MONTAJI.**
METAL PLAN POCKET ASSEMBLING.

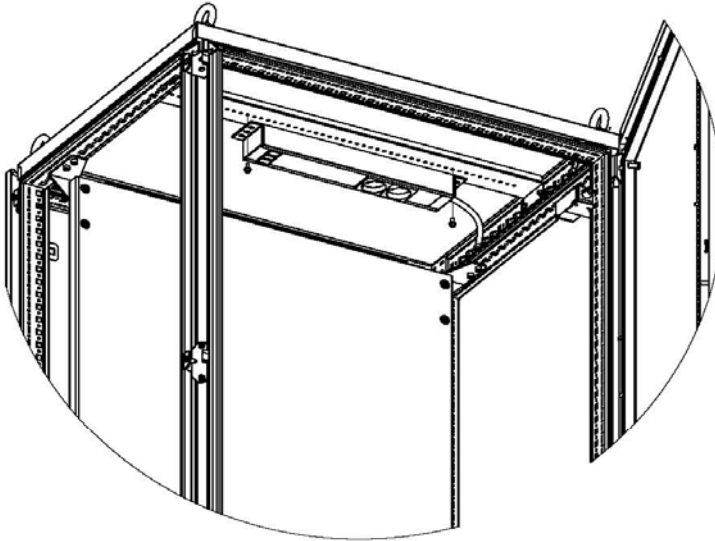
LAMBA TUTUCU PROFİL VE LAMBA MONTAJI
LAMP HOLDER RAIL AND LAMP ASSEMBLING

DOKÜMAN NO	KYT-050
REV. NO	3
SAYFA	80/47



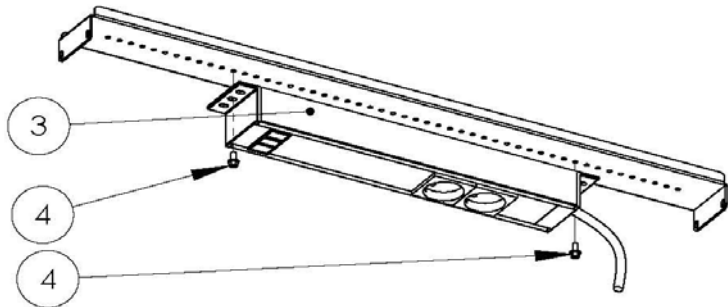
1) 1 Pcs.

2) M5x10 4 Pcs.



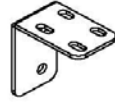
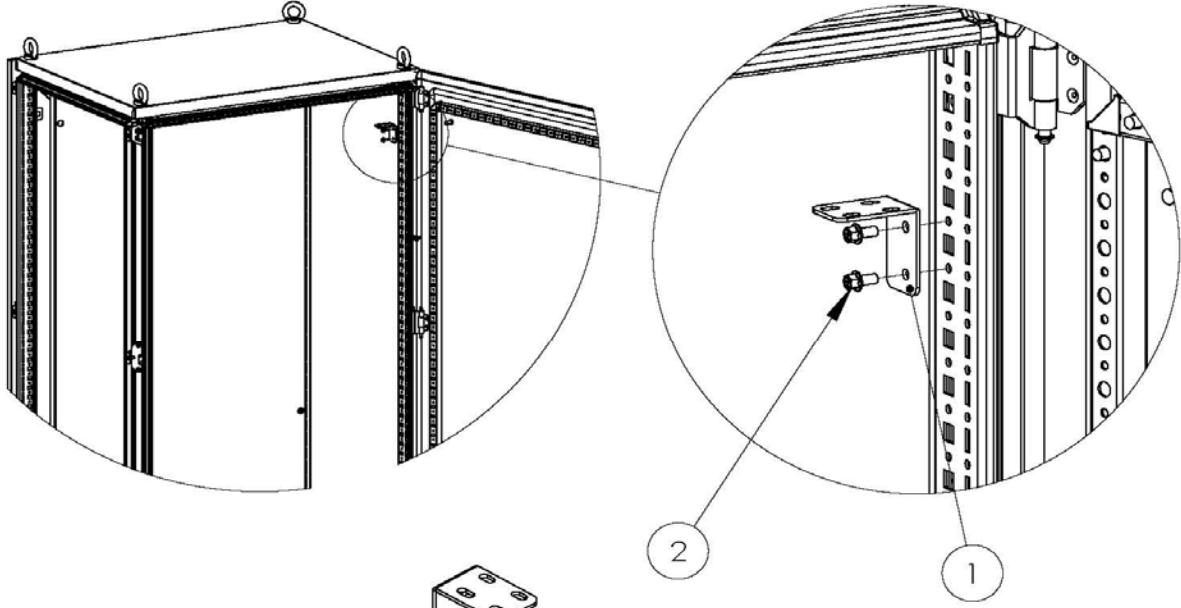
3) 1 Pcs.

4) M5x10 2 Pcs.



KAPI AYDINLATMA ANAHTAR TUTUCU VE ANAHTAR MONTAJI
DOOR SWITCH HOLDER AND SWITCH ASSEMBLING

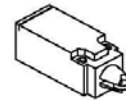
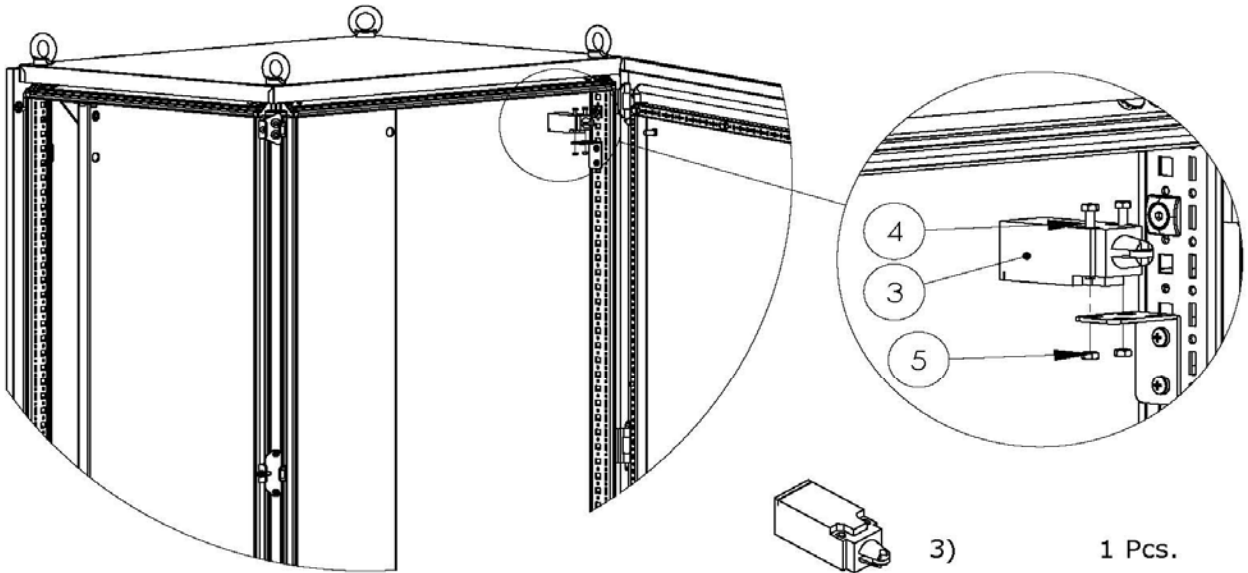
DOKÜMAN NO	KYT-050
REV. NO	3
SAYFA	80/48



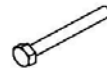
1) 1 Pcs.



2) M5x10 2 Pcs.



3) 1 Pcs.



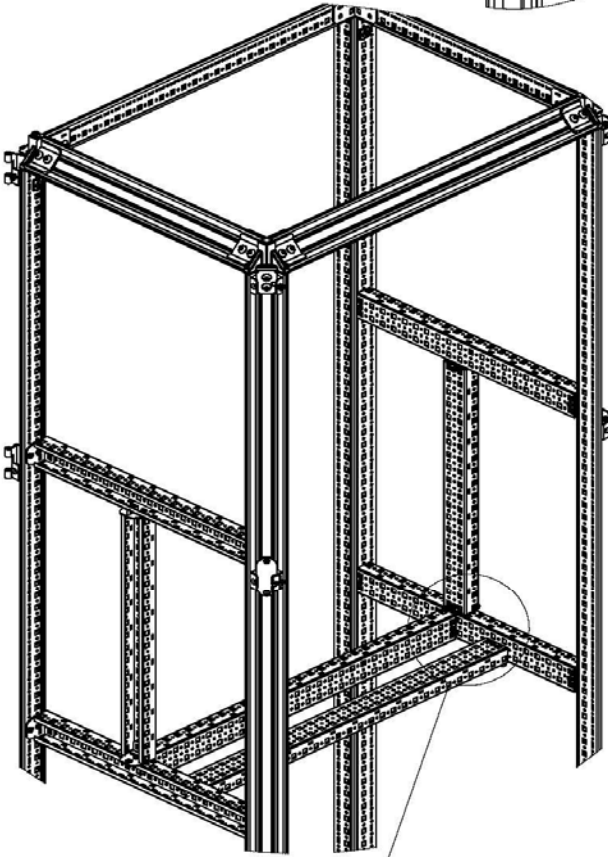
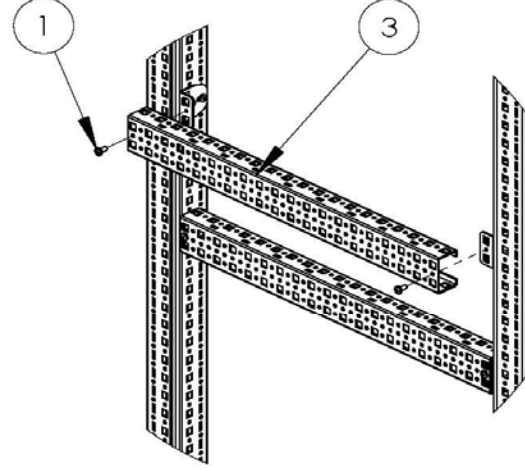
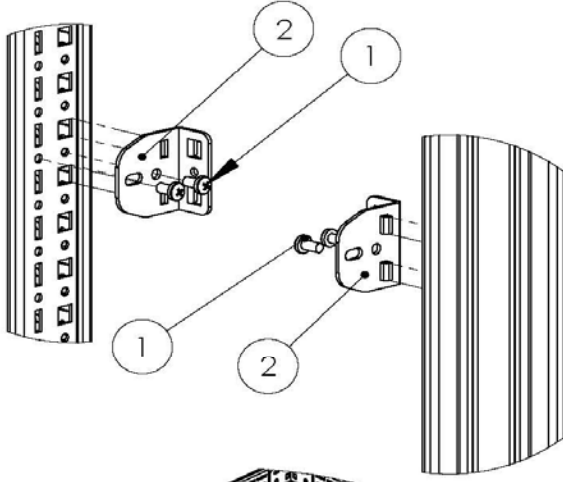
4) M4x35 2 Pcs.



5) M4 2 Pcs.

PLUG-IN RAIL BRACKET AND SCISSILE RAIL SYSTEM
GEÇMELİ ATKI TUTUCU VE KESİLEBİLİR ATKI

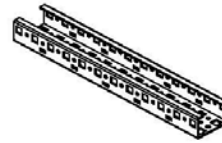
DOKÜMAN NO	KYT-050
REV. NO	3
SAYFA	80/49



1) M5x10 6 Pcs.



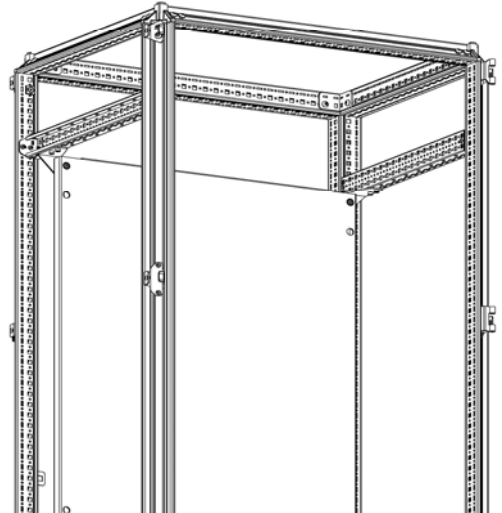
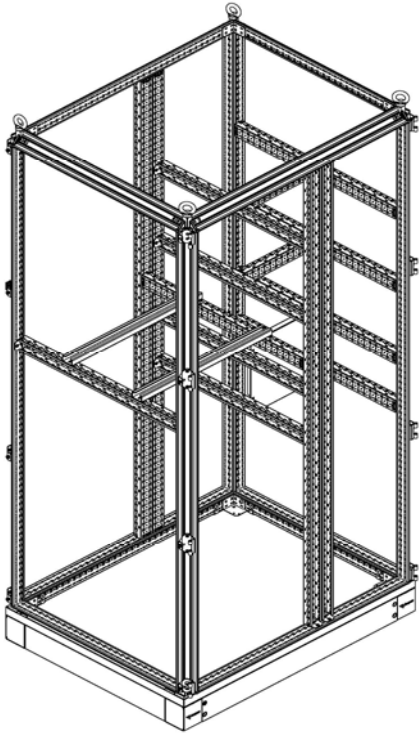
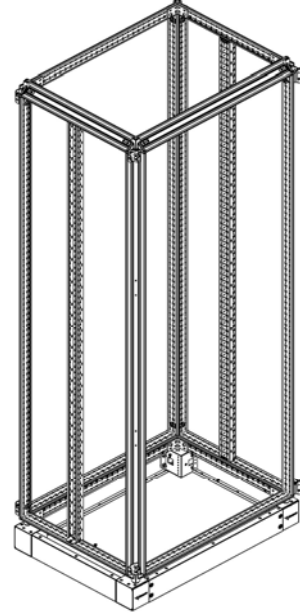
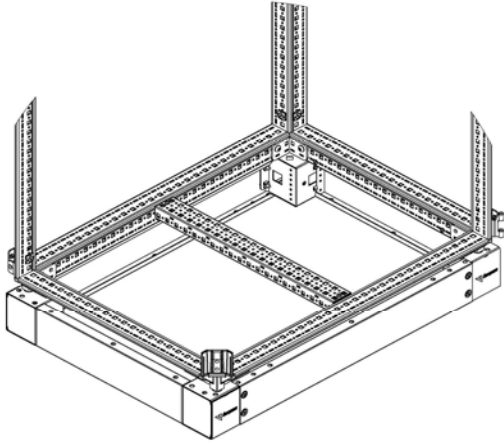
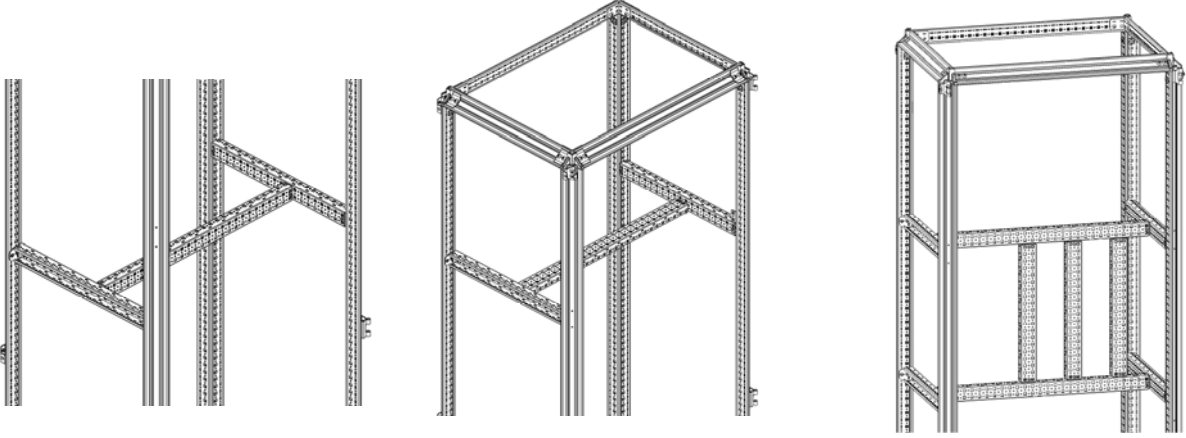
2) 2 Pcs.



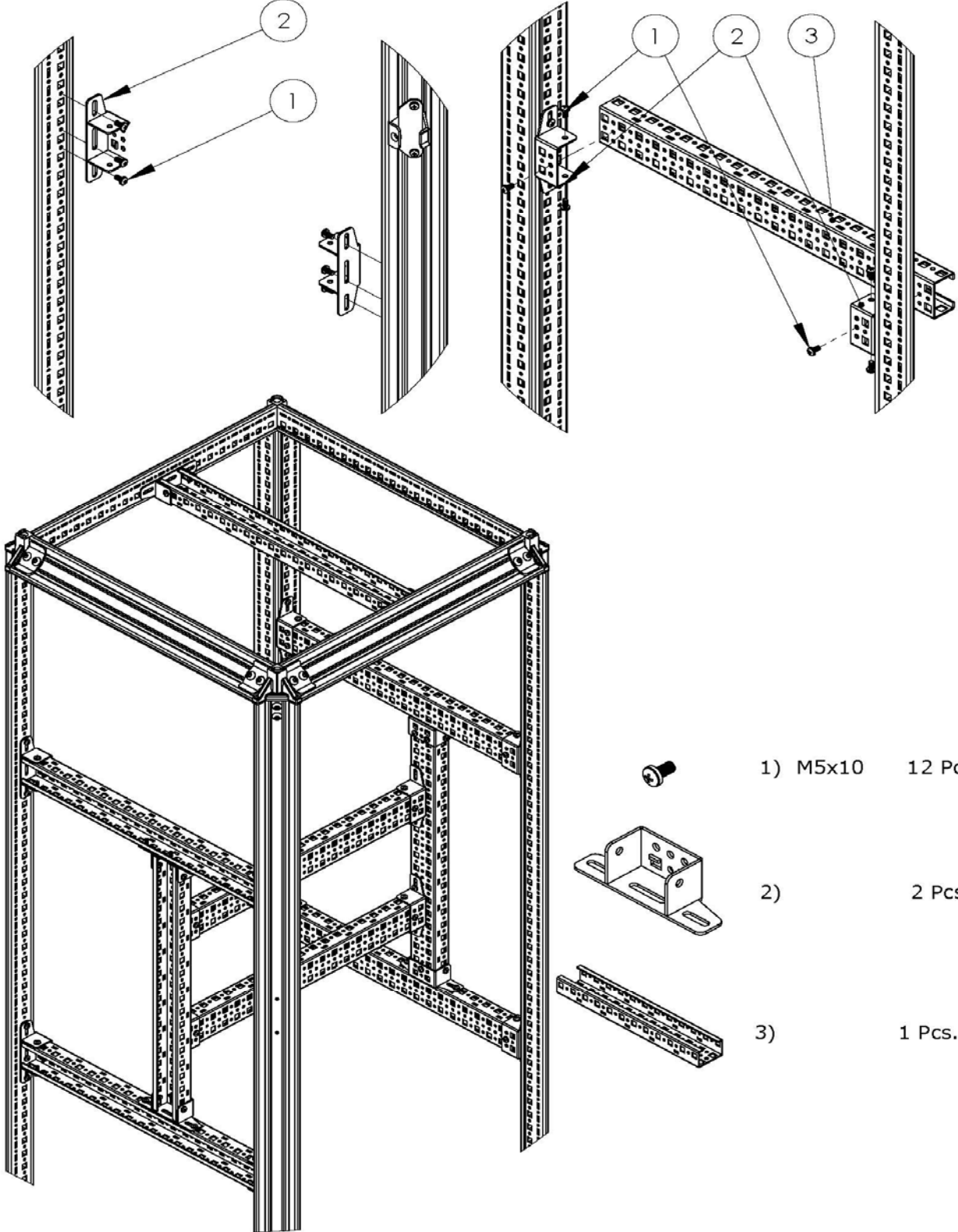
3) 1 Pcs.

DOKÜMAN NO	KYT-050
REV. NO	3
SAYFA	80/50

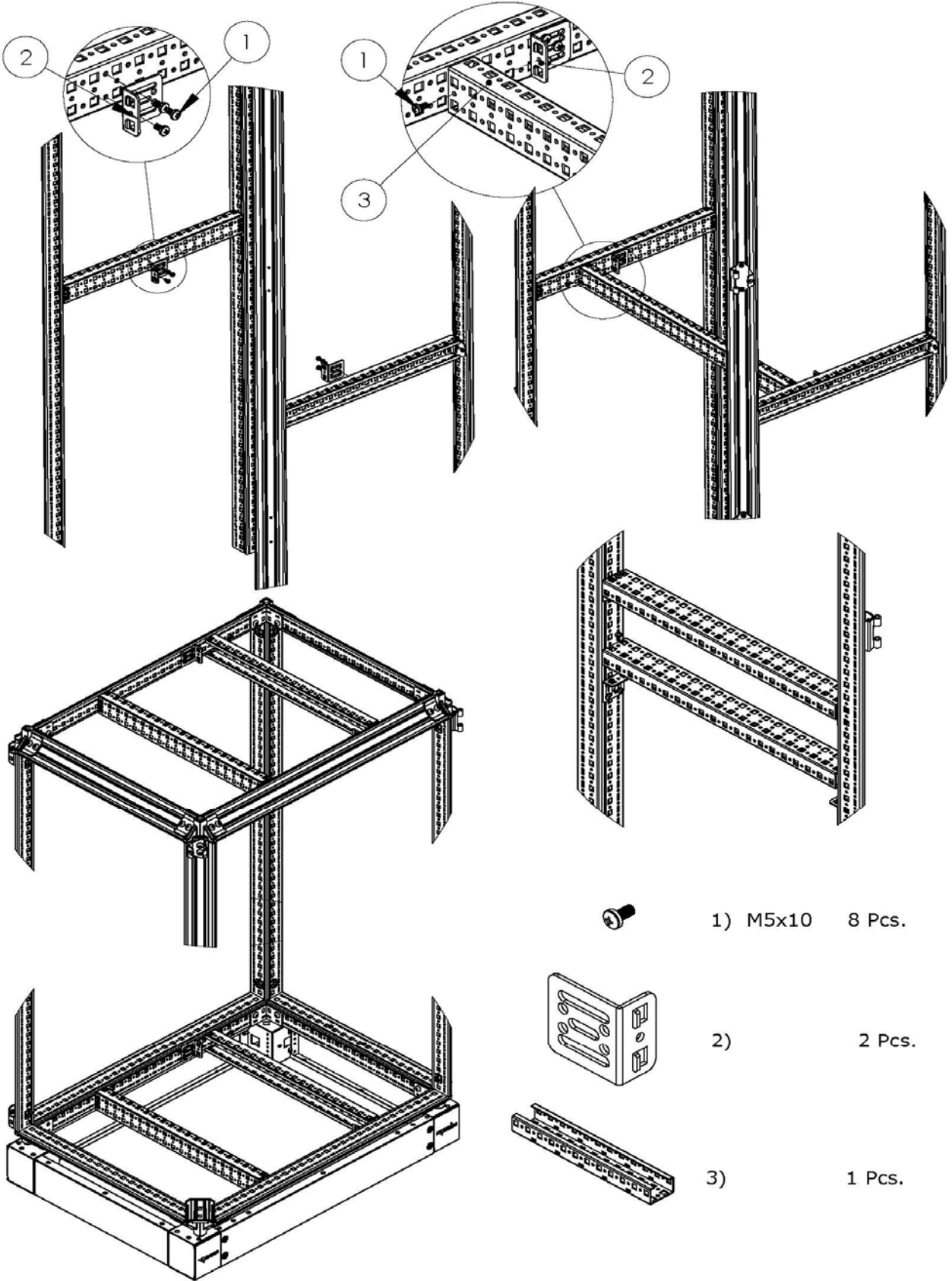
PLUG-IN RAIL BRACKET
GEÇMELİ ATKI TUTUCU



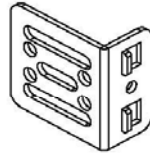
DOKÜMAN NO	KYT-050
REV. NO	3
SAYFA	80/51

ADJUSTABLE RAIL BRACKET
AYARLI ATKI TUTUCU

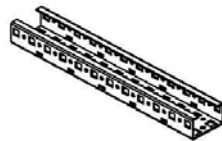
DOKÜMAN NO	KYT-050
REV. NO	3
SAYFA	80/52

ADJUSTABLE RAIL BRACKET (TYPE L)
AYARLI ATKI TUTUCU (L TİP)

1) M5x10 8 Pcs.



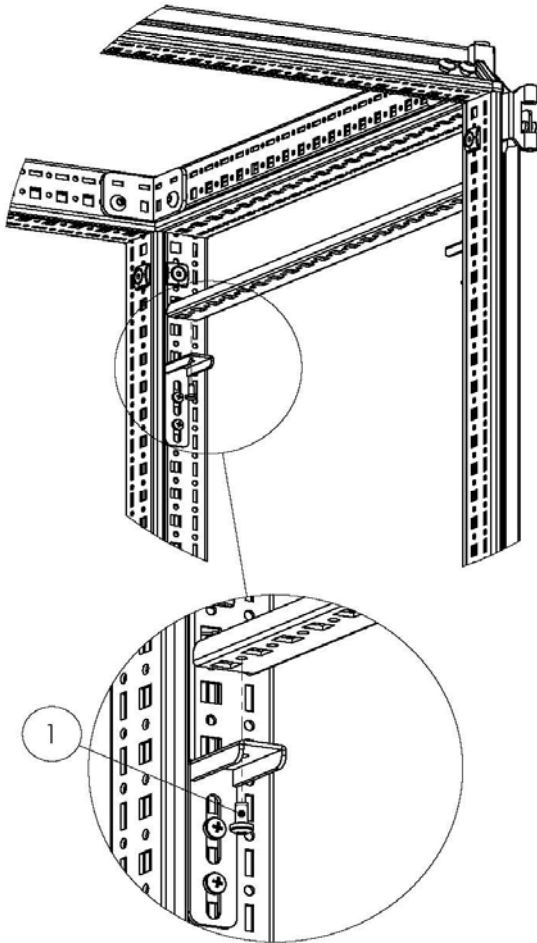
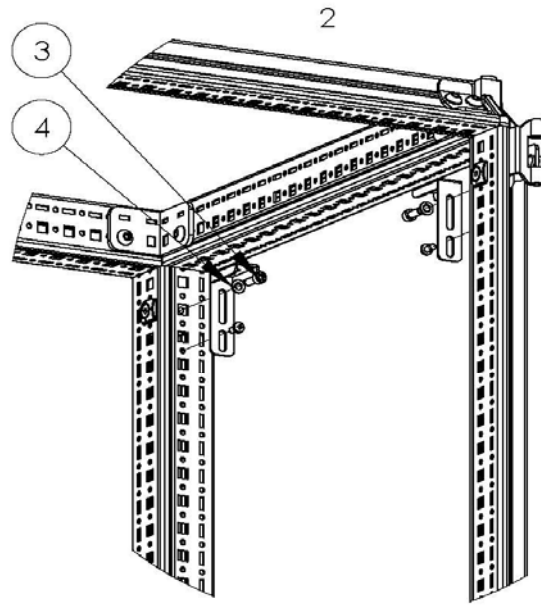
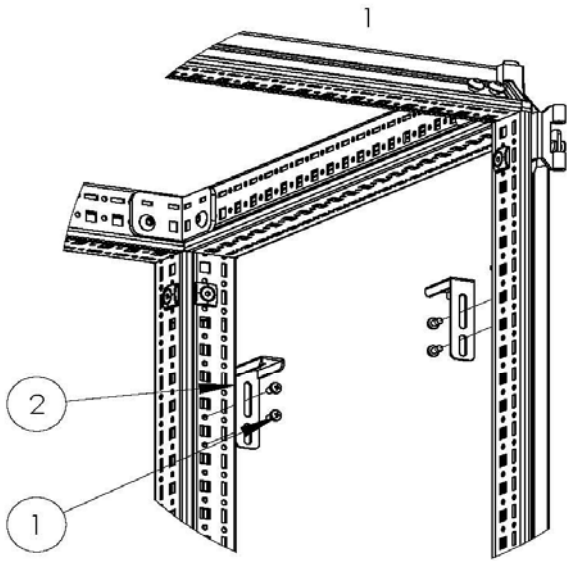
2) 2 Pcs.



3) 1 Pcs.

DOKÜMAN NO	KYT-050
REV. NO	3
SAYFA	80/53

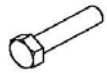
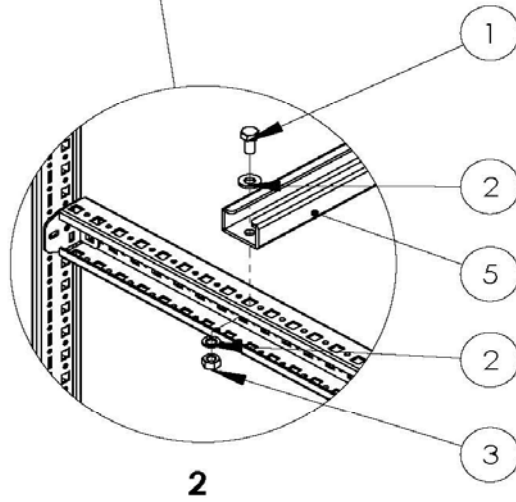
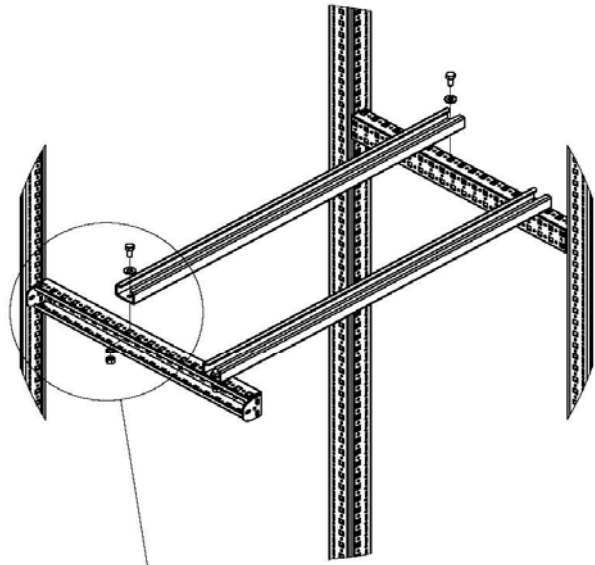
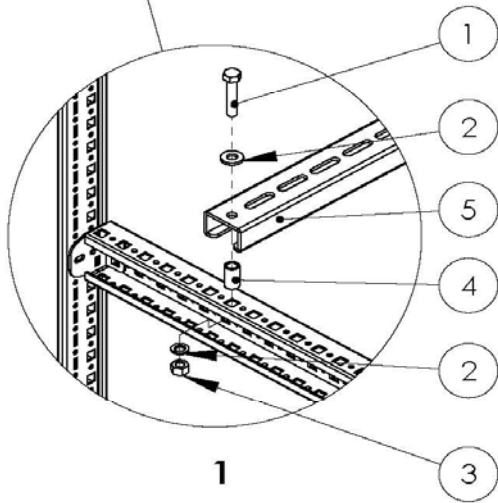
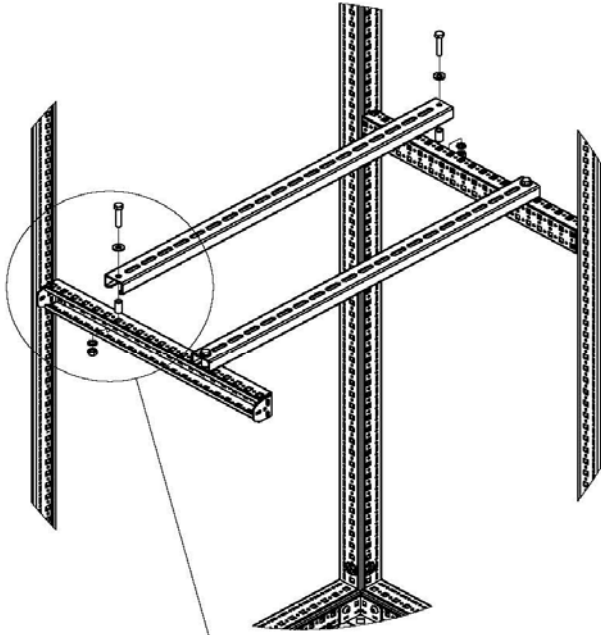
AUXILIARY RAIL BRACKET
YARDIMCI ATKI TUTUCU



- 1**
- 1) M5x10 6 Pcs.
 - 2) 2 Pcs.
- 2**
- 1) M5x10 4 Pcs.
 - 2) 2 Pcs.
 - 3) M6x16 2 Pcs.
 - 4) M6 2 Pcs.

DOKÜMAN NO	KYT-050
REV. NO	3
SAYFA	80/54

HEAVY EQUIPMENT PROFILE
AĞIR EKİPMAN PROFİLİ



1) M8x40 2 Pcs.



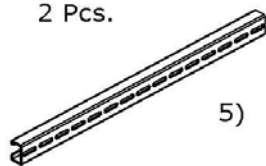
2) M8 4 Pcs.



3) M8 2 Pcs.



4) 2 Pcs.



5)



1) M8x40 2 Pcs.



2) M8 4 Pcs.

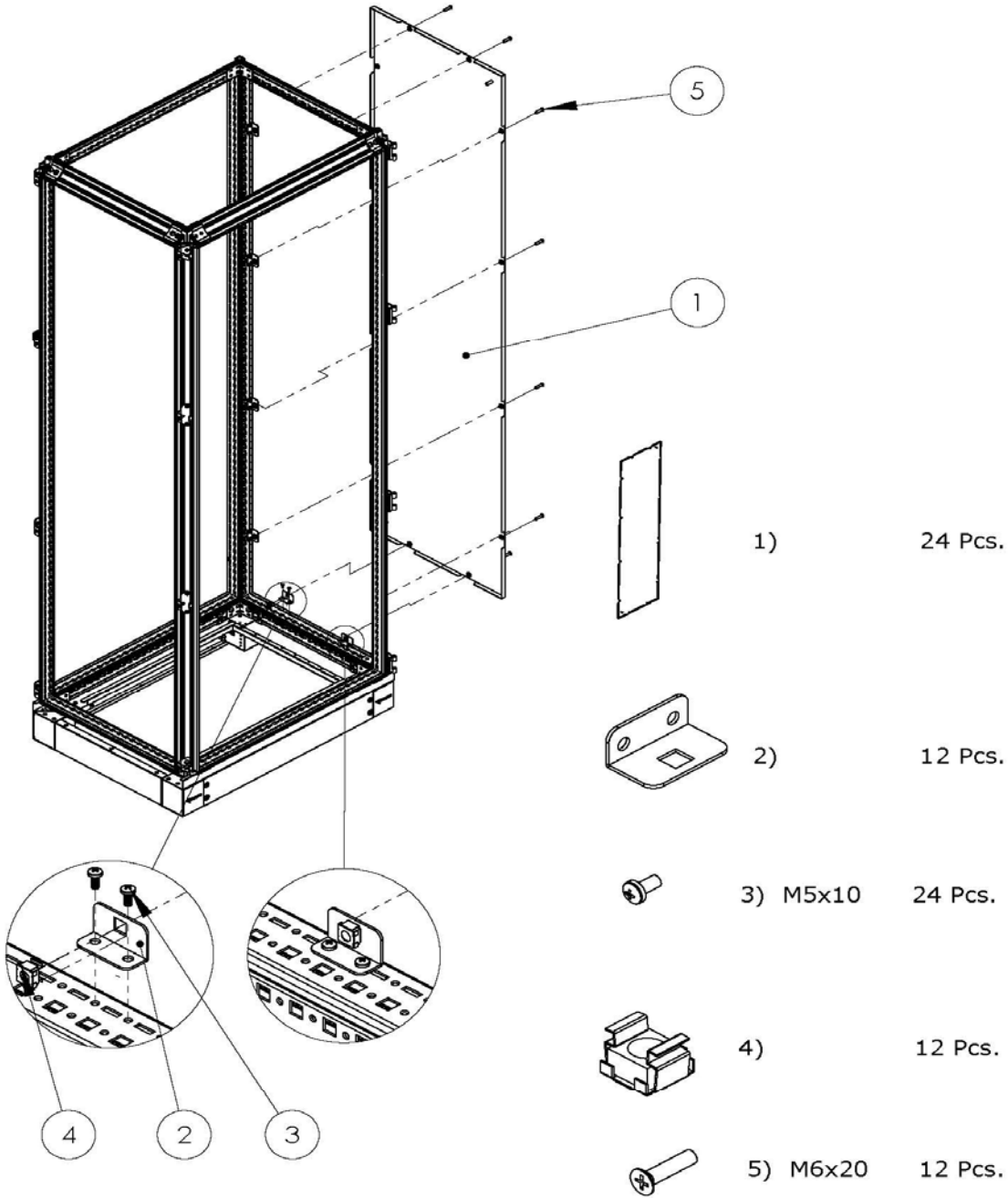


3) M8 2 Pcs.

1 Pcs.

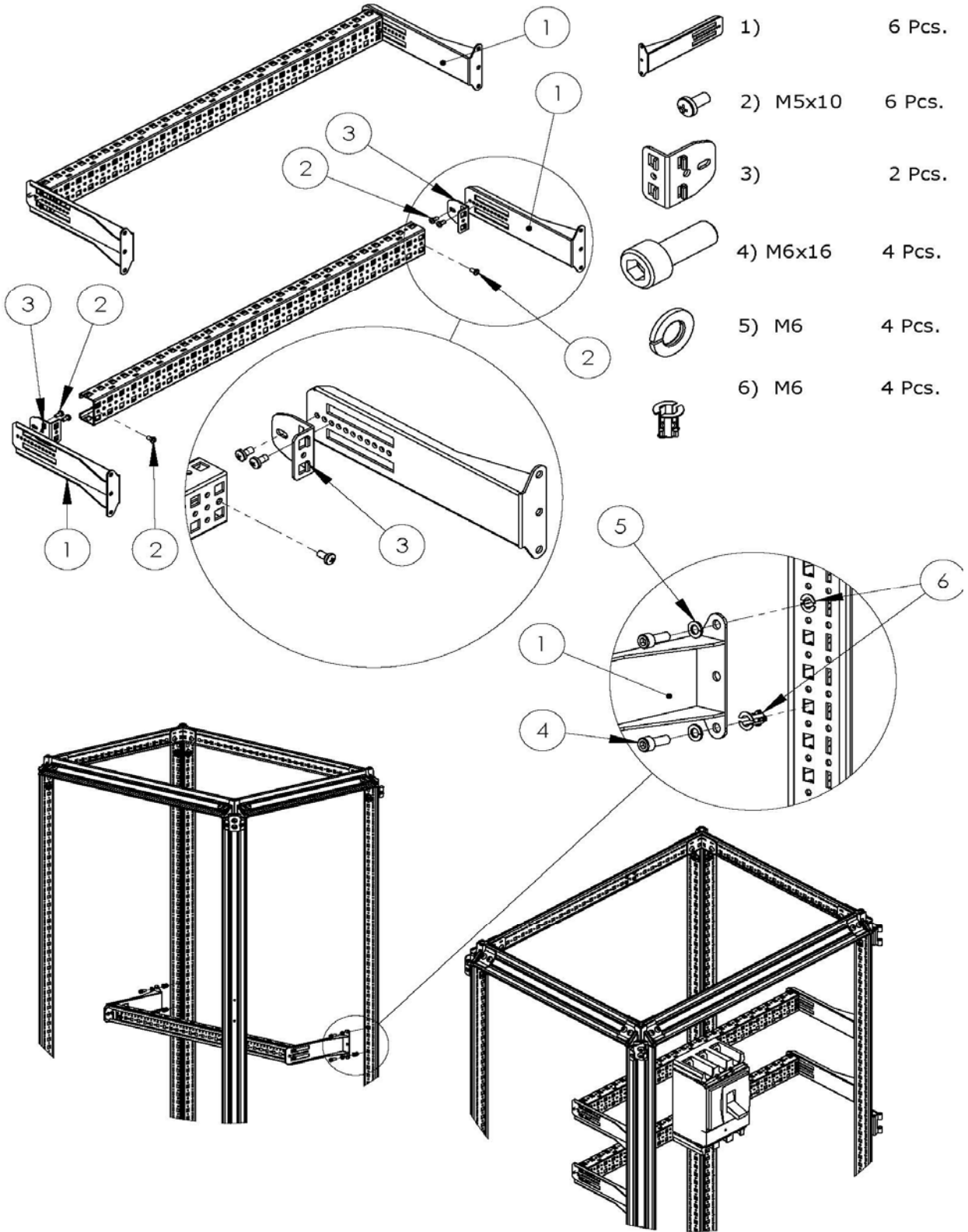
DIVIDING PANEL
PANO BÖLME PANELİ

DOKÜMAN NO	KYT-050
REV. NO	3
SAYFA	80/55



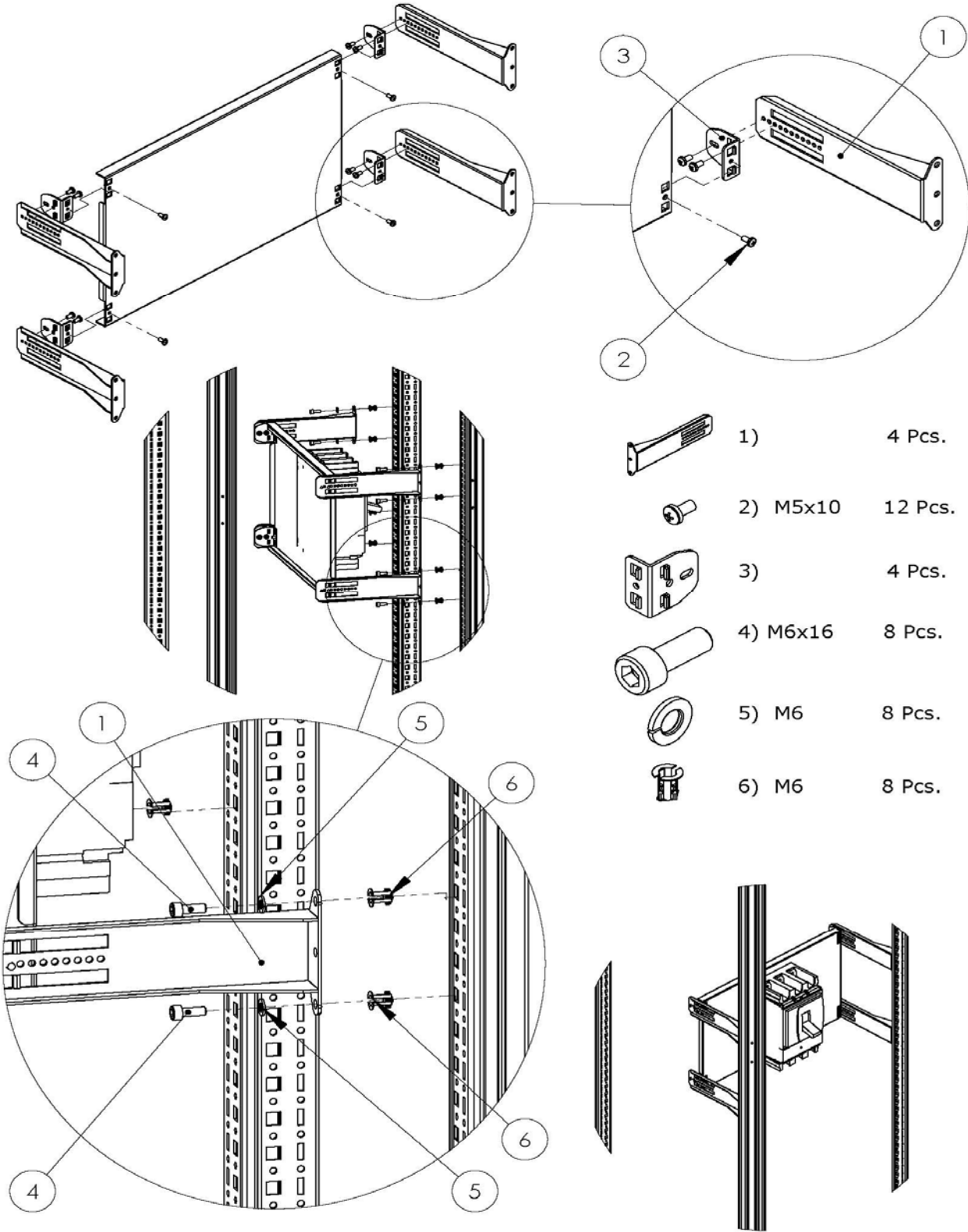
25A - 630A ŞALTER KİTİ
25A - 630A MCCB KIT

DOKÜMAN NO	KYT-050
REV. NO	3
SAYFA	80/56



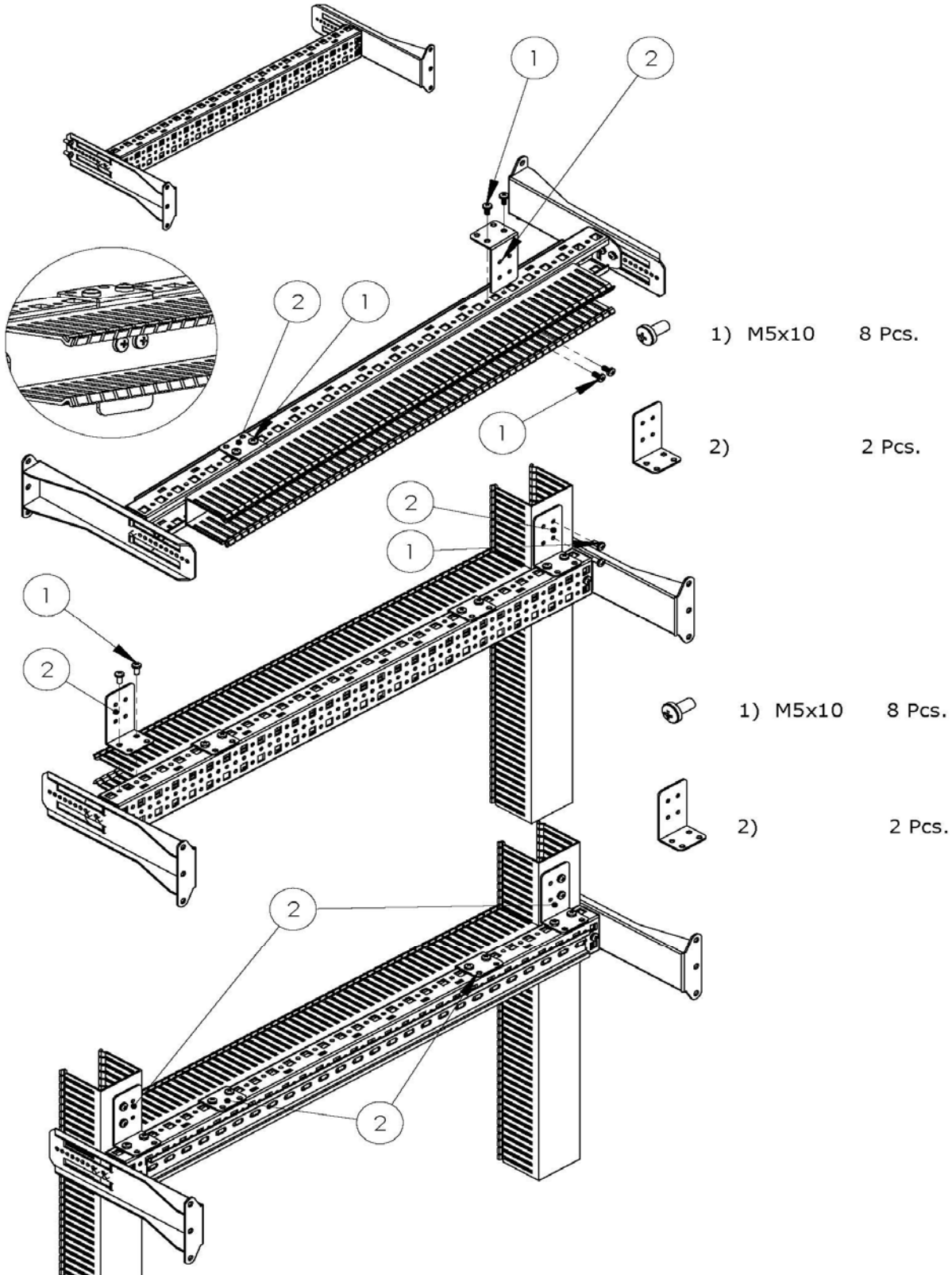
25A - 630A ŞALTER KİTİ
25A - 630A MCCB KIT

DOKÜMAN NO	KYT-050
REV. NO	3
SAYFA	80/57



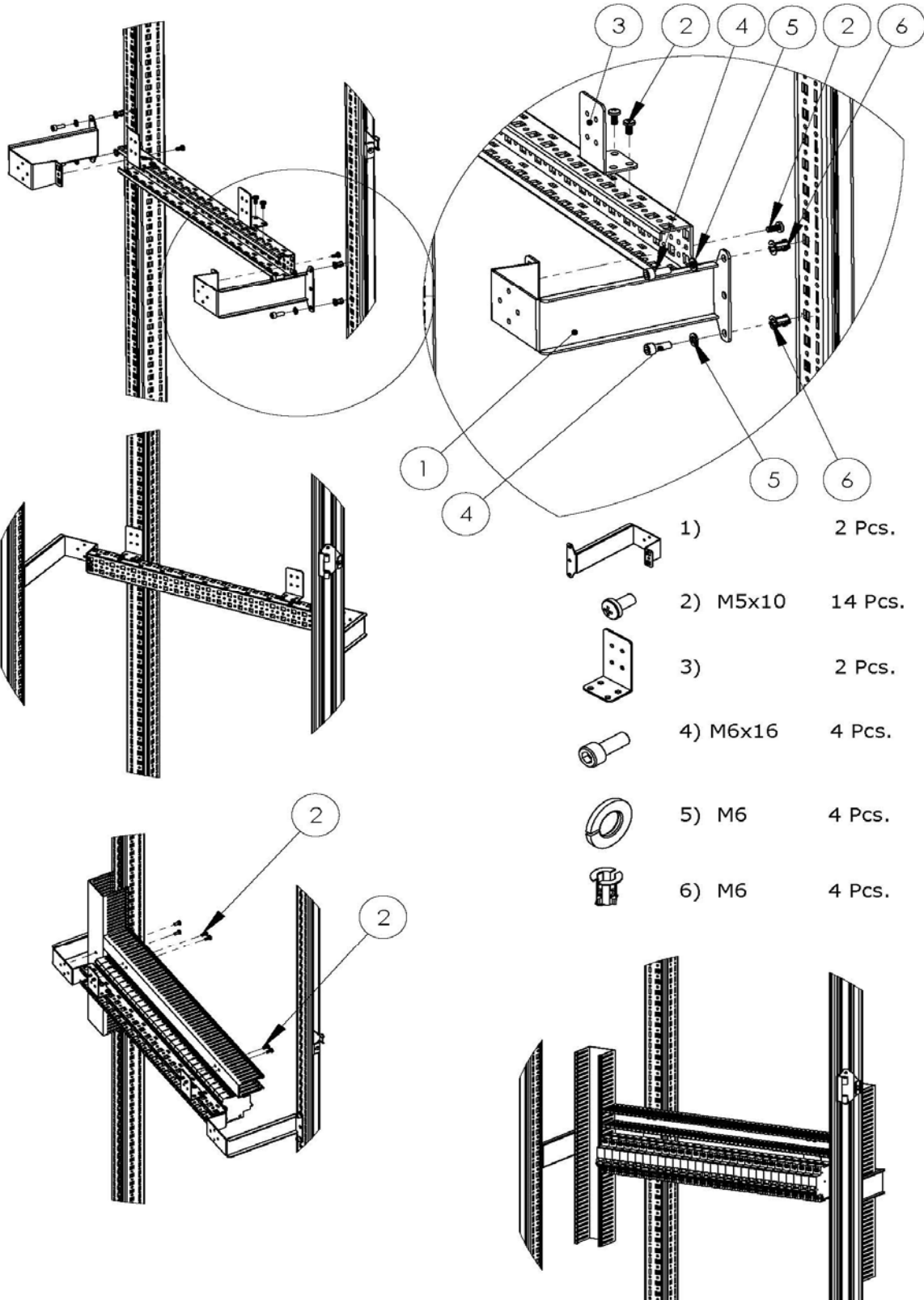
SİGORTA (OTOMAT) VE KLEMENS KİTİ (ARKA MONTAJLI KABLO KANALI)
MCB AND TERMINAL KIT (BACK-MOUNTED CABLE DUCT)

DOKÜMAN NO	KYT-050
REV. NO	3
SAYFA	80/58

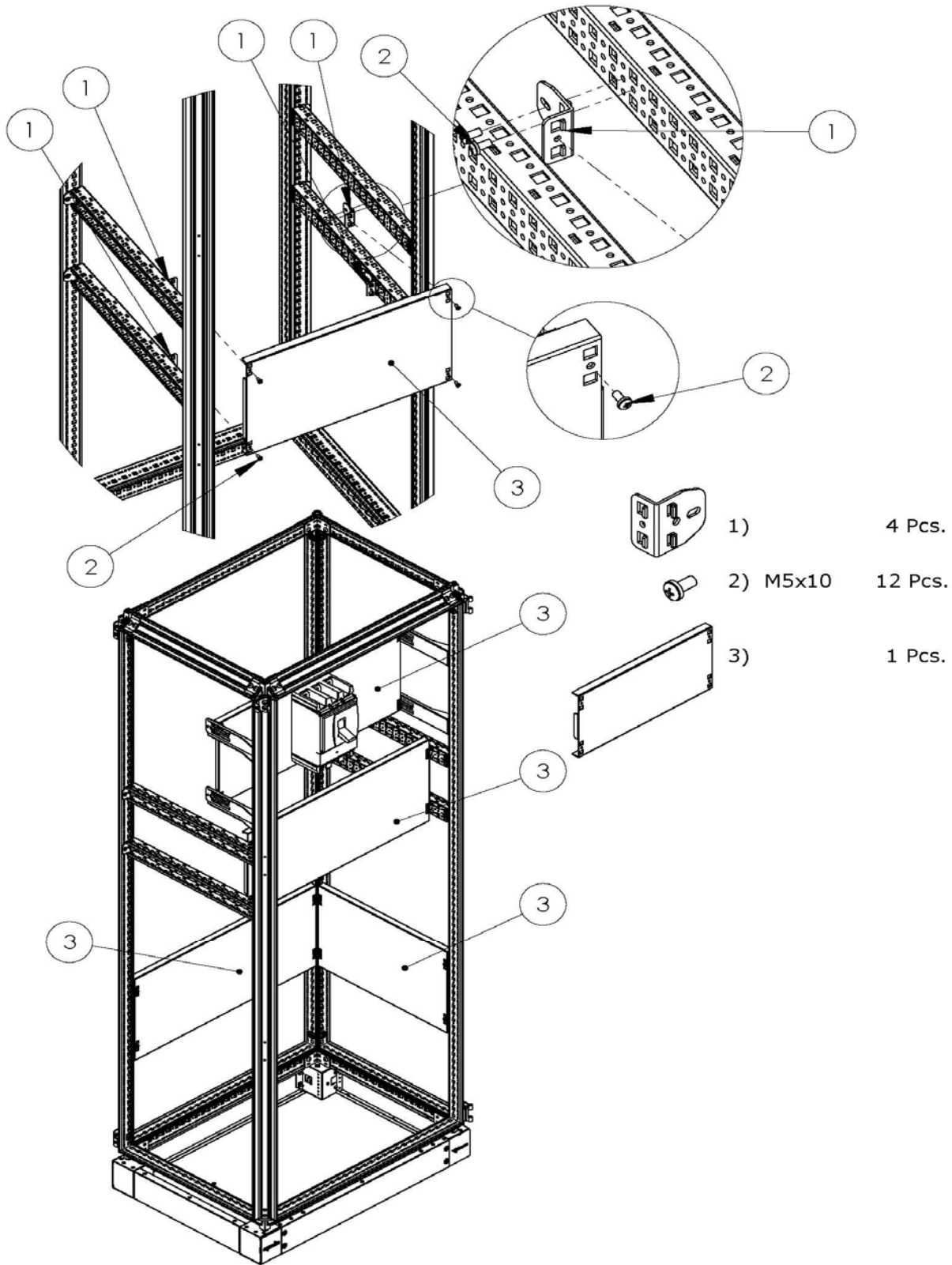


SİGORTA (OTOMAT) KİTİ (ÖN MONTAJLI KABLO KANALI)
MCB KIT (FRONT-MOUNTED CABLE DUCT)

DOKÜMAN NO	KYT-050
REV. NO	3
SAYFA	80/59

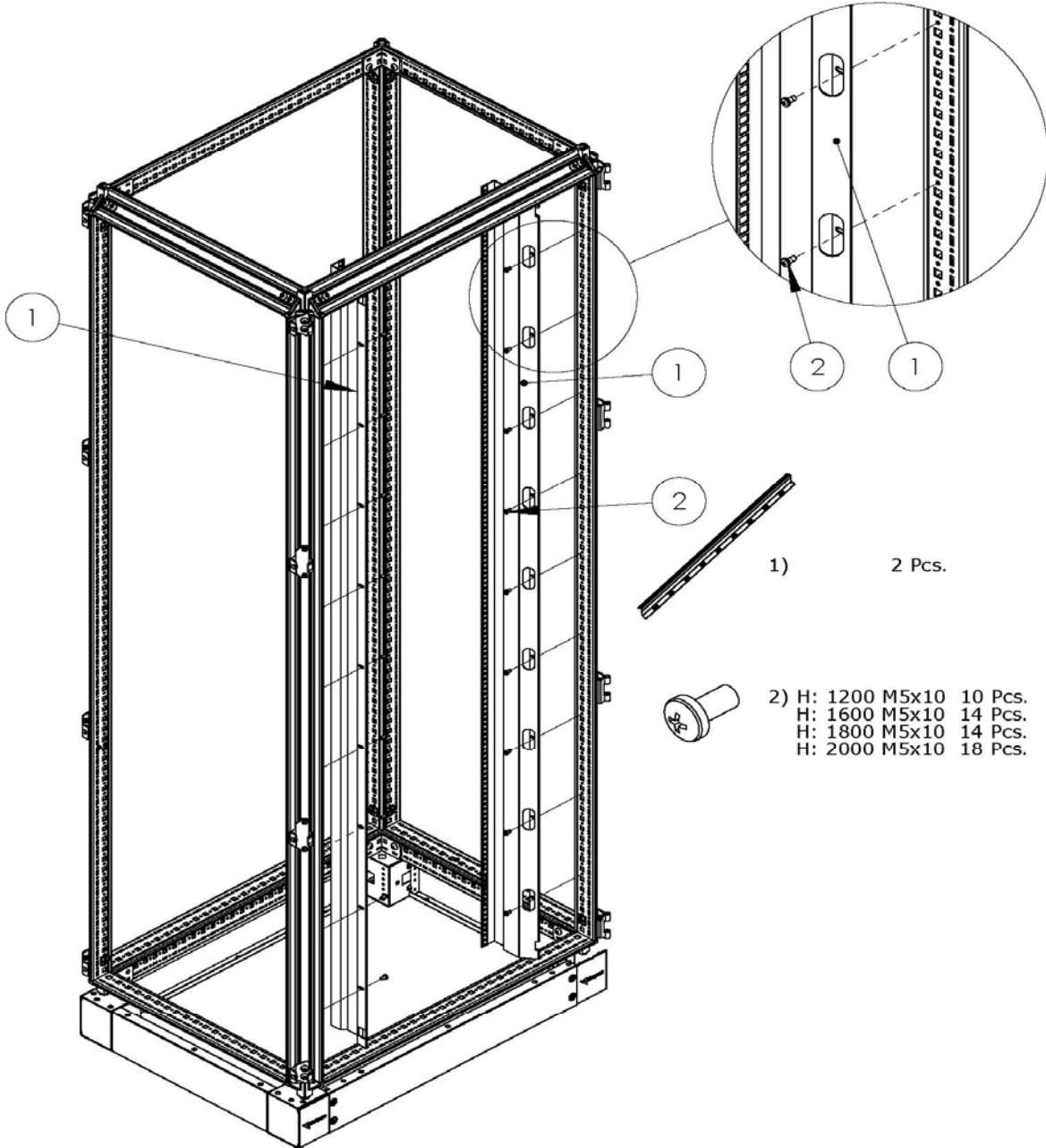


DOKÜMAN NO	KYT-050
REV. NO	3
SAYFA	80/60

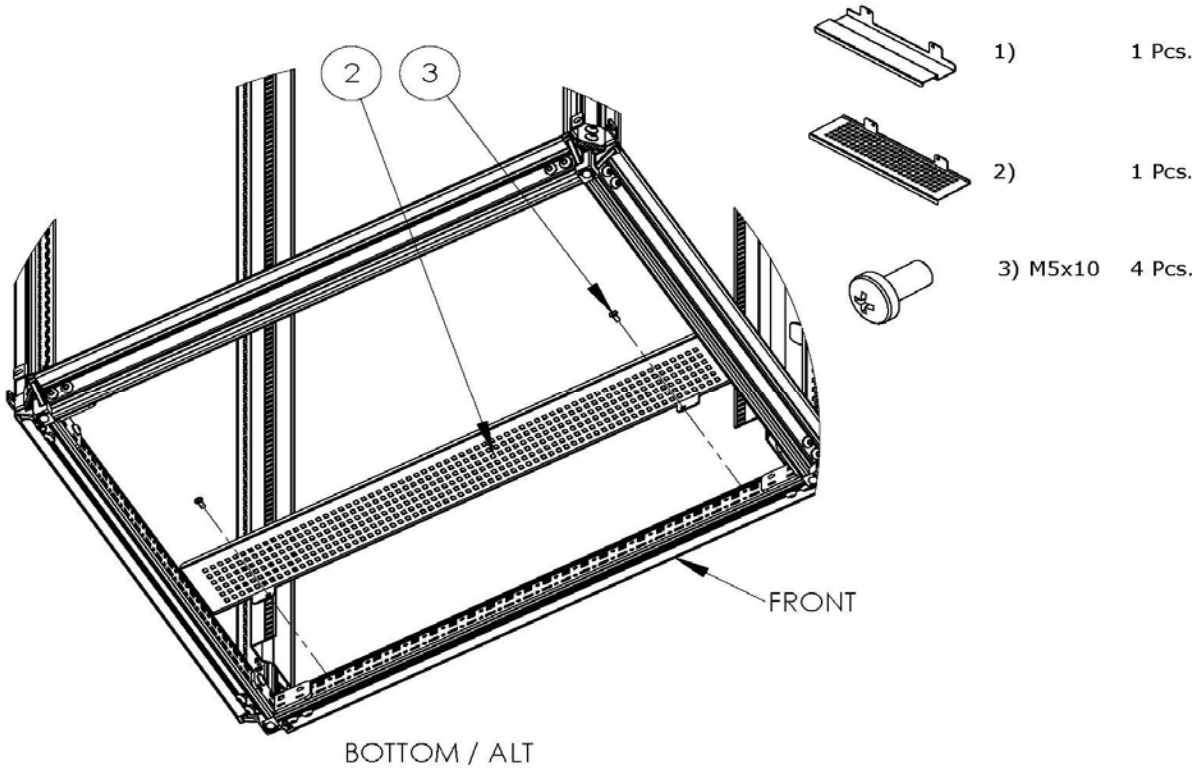
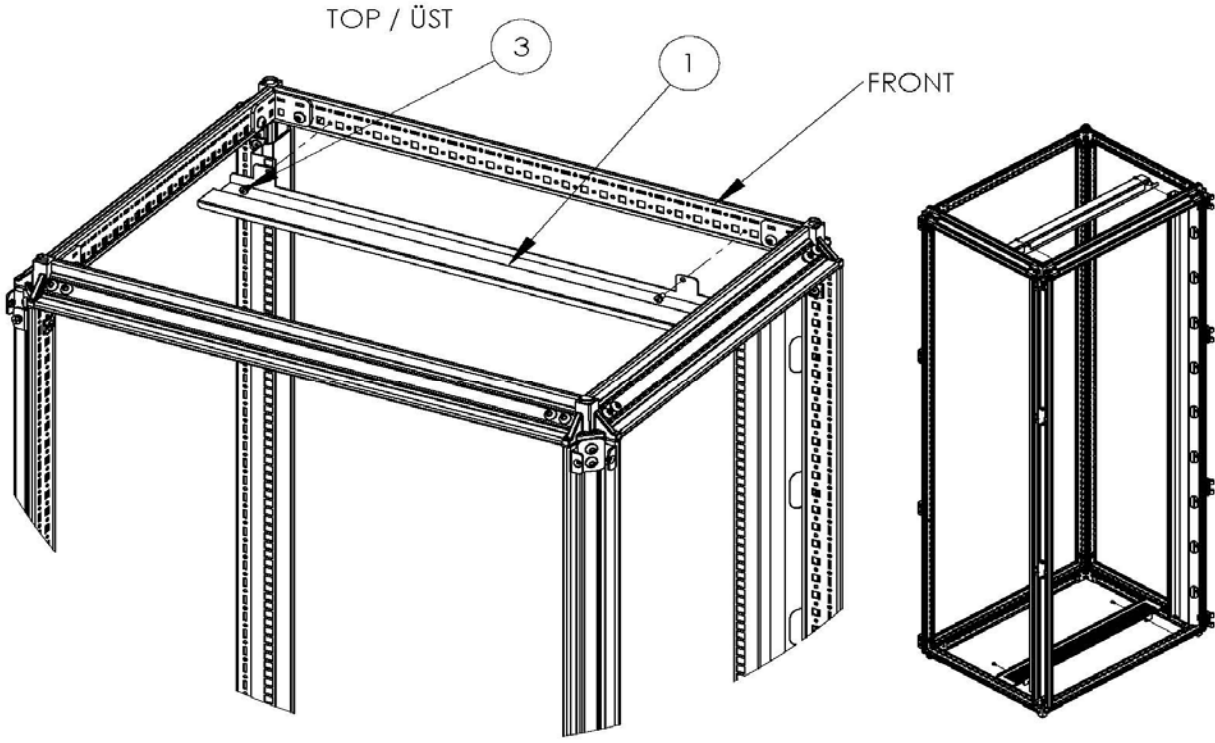
PARÇA MONTAJ PLAKASI
PARTIAL MOUNTING PLATE

İÇ KAPAK SİSTEMİ
COVER PLATE SYSTEM

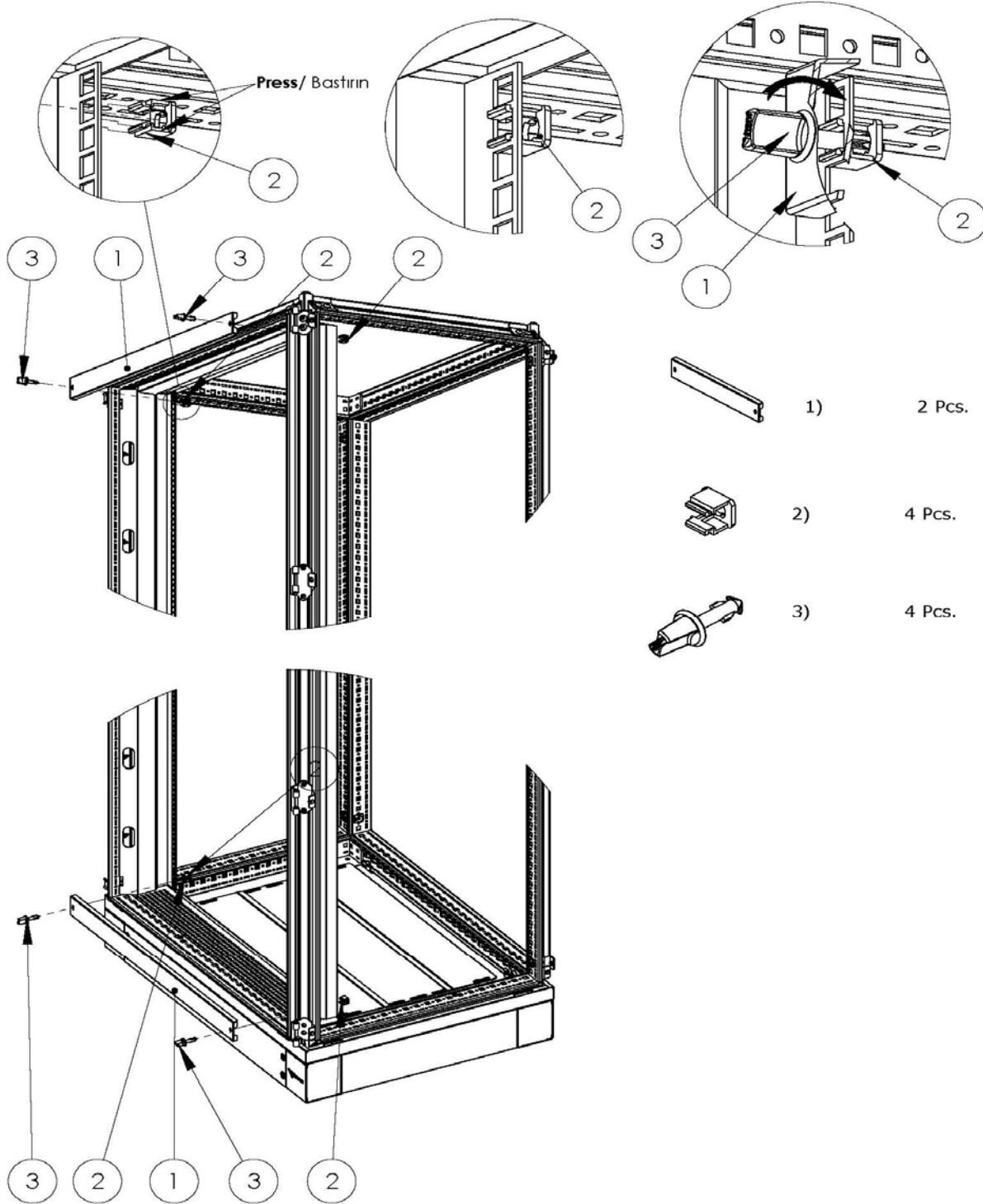
DOKÜMAN NO	KYT-050
REV. NO	3
SAYFA	80/61



DOKÜMAN NO	KYT-050
REV. NO	3
SAYFA	80/62

İÇ KAPAK SİSTEMİ
COVER PLATE SYSTEM

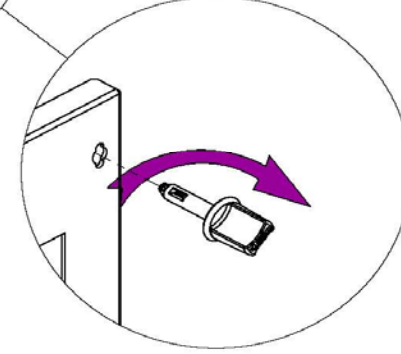
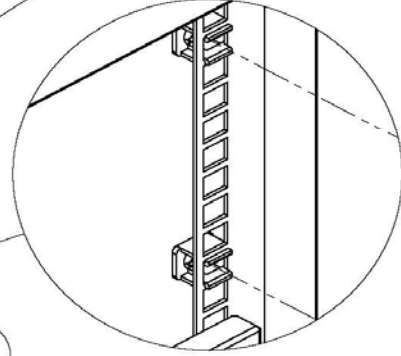
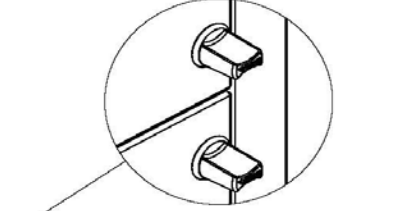
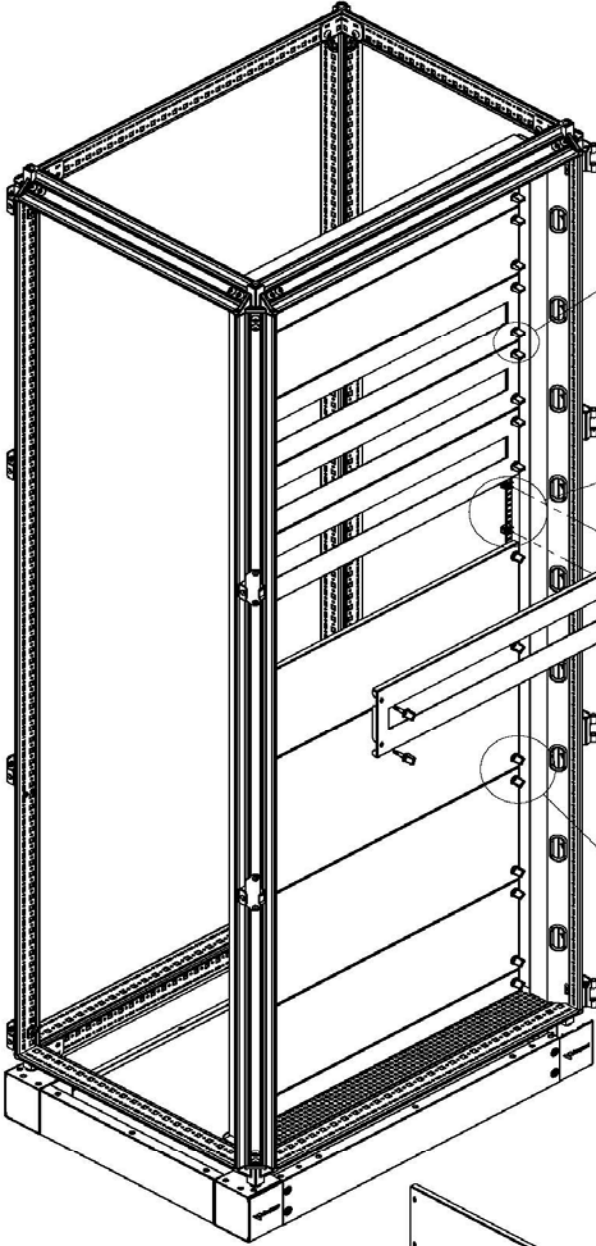
DOKÜMAN NO	KYT-050
REV. NO	3
SAYFA	80/63

İÇ KAPAK SİSTEMİ
COVER PLATE SYSTEM

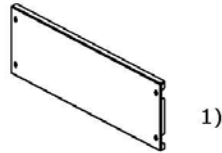
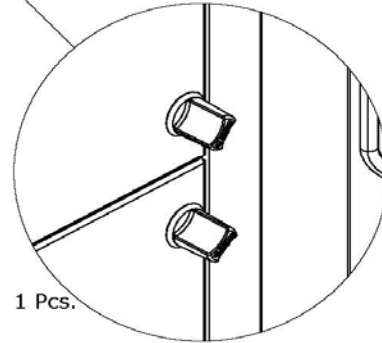
DOKÜMAN NO	KYT-050
REV. NO	3
SAYFA	80/64

İÇ KAPAK SİSTEMİ
COVER PLATE SYSTEM

LOCK POSITION / KİLİTLİ POSİZYON

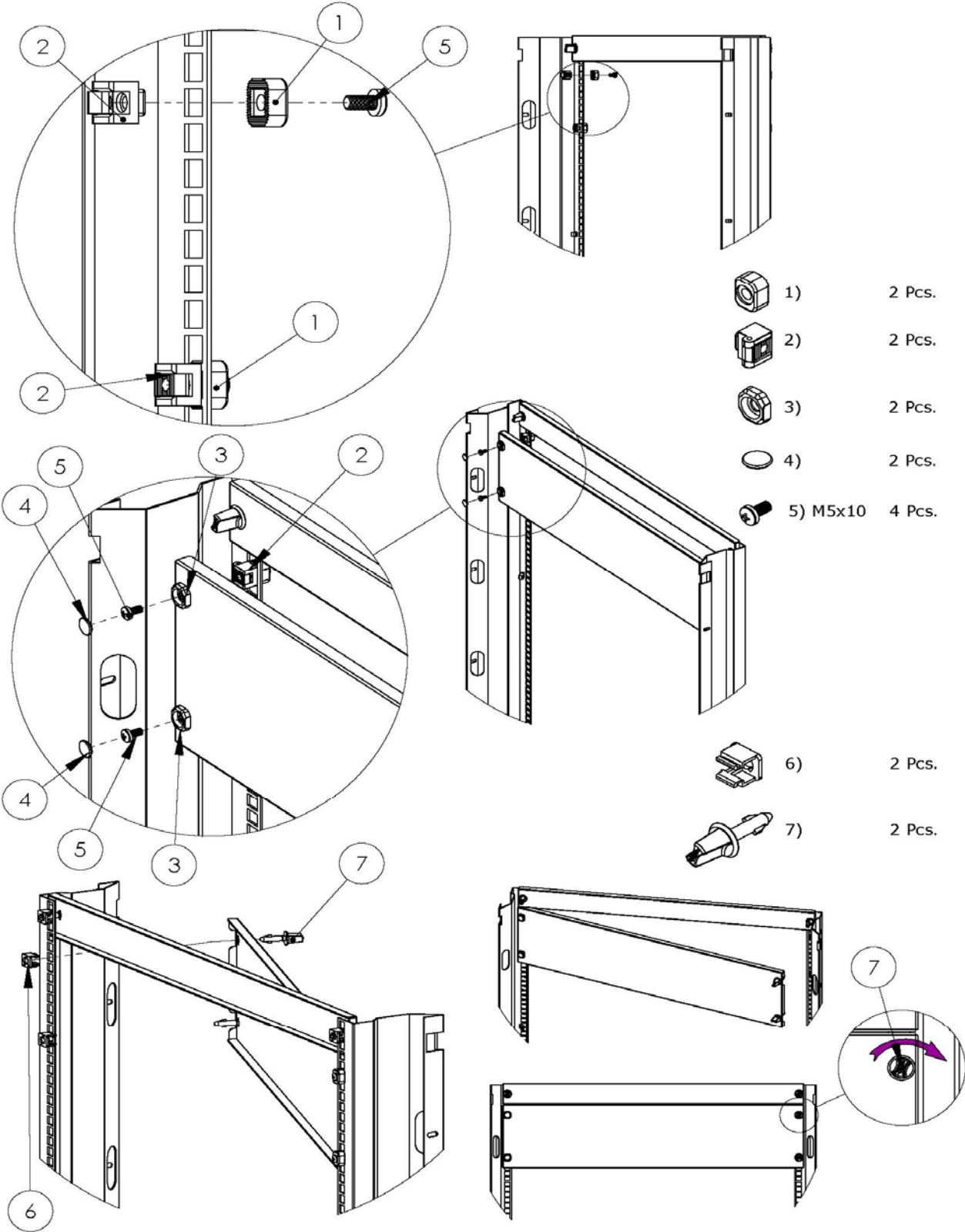


UNLOCK POSITION / AÇIK POSİZYON



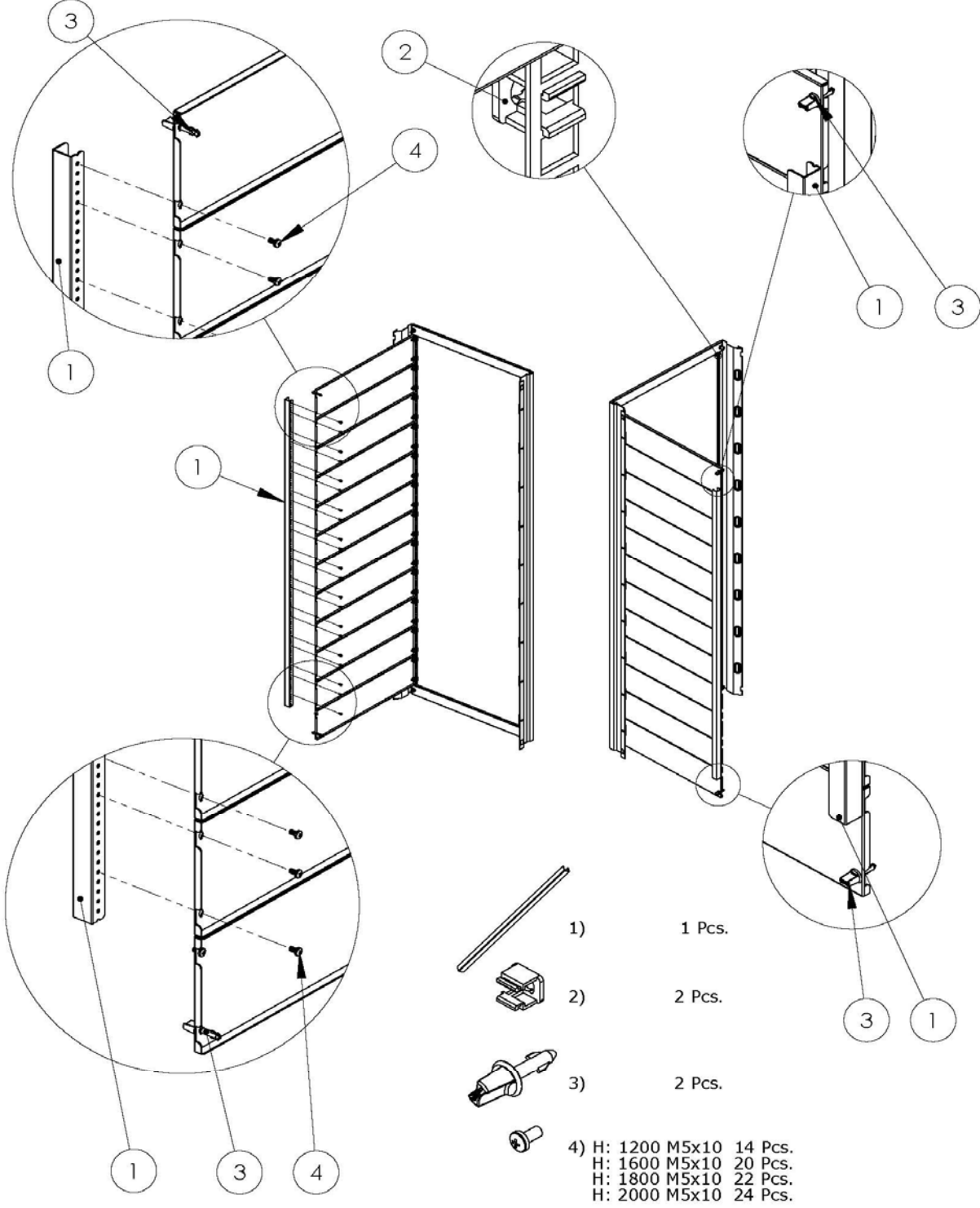
İÇ KAPAK SİSTEMİ
COVER PLATE SYSTEM

DOKÜMAN NO	KYT-050
REV. NO	3
SAYFA	80/65



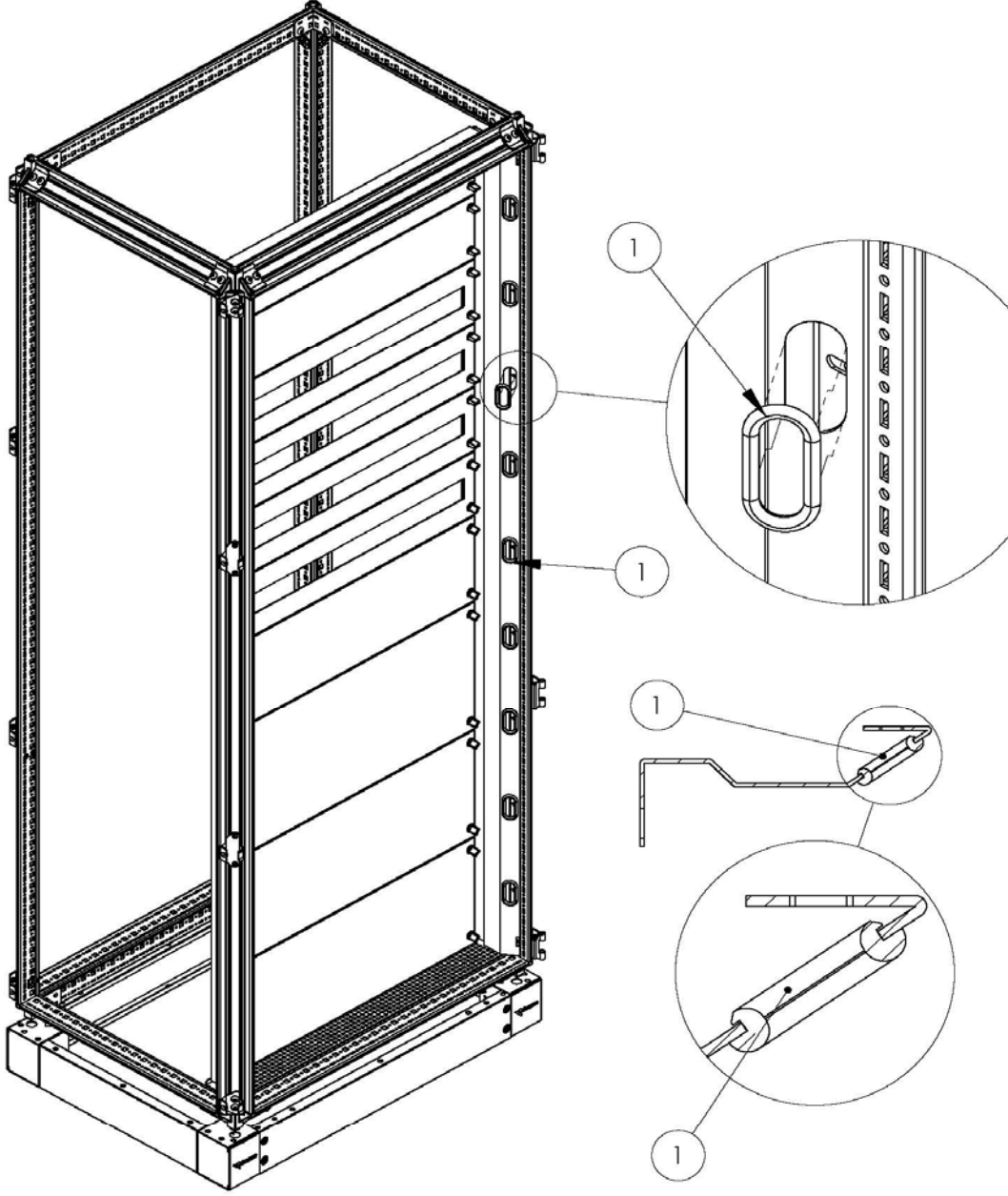
İÇ KAPAK SİSTEMİ
COVER PLATE SYSTEM

DOKÜMAN NO	KYT-050
REV. NO	3
SAYFA	80/66



İÇ KAPAK SİSTEMİ
COVER PLATE SYSTEM

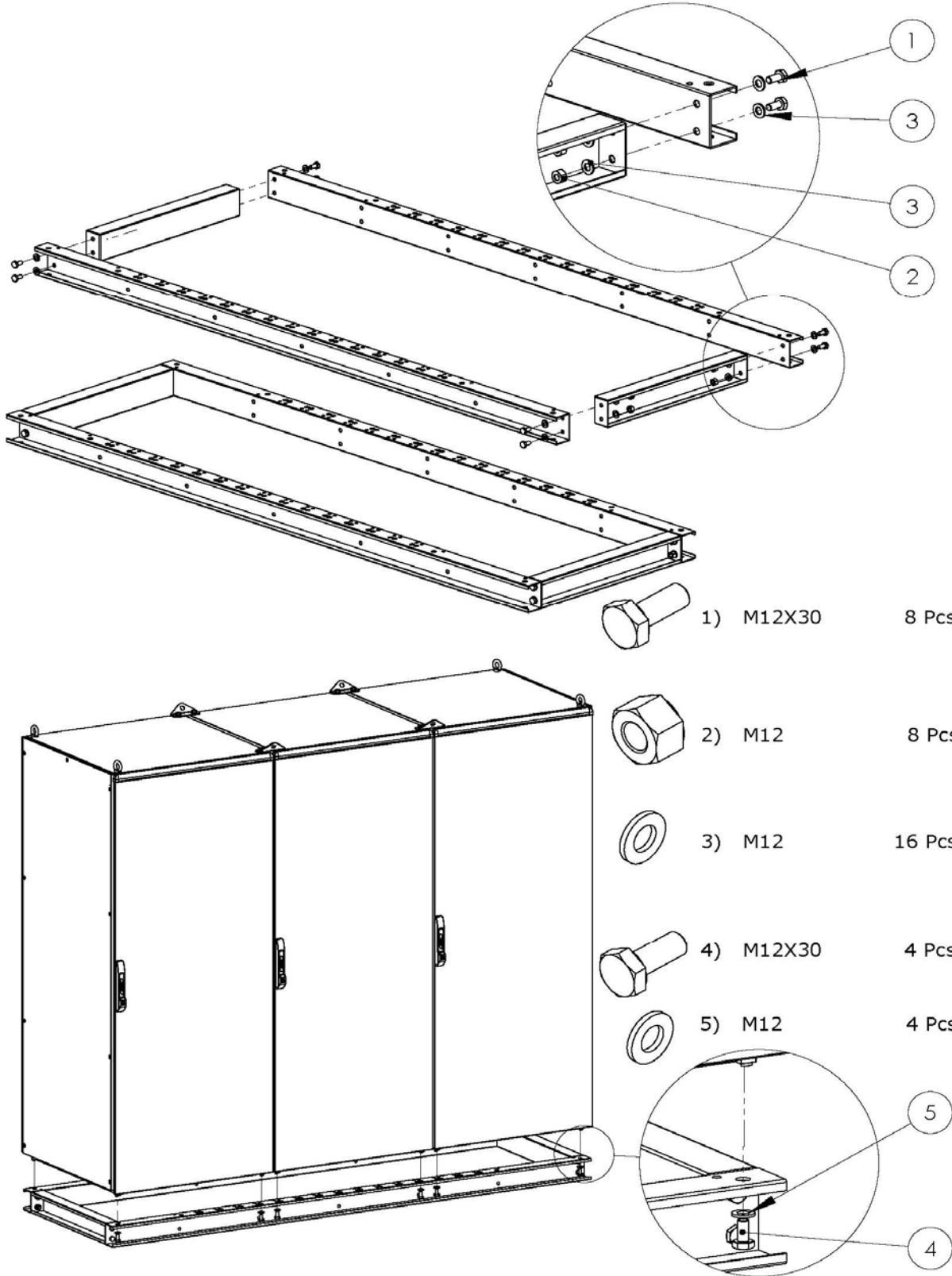
DOKÜMAN NO	KYT-050
REV. NO	3
SAYFA	80/67



1) Standart


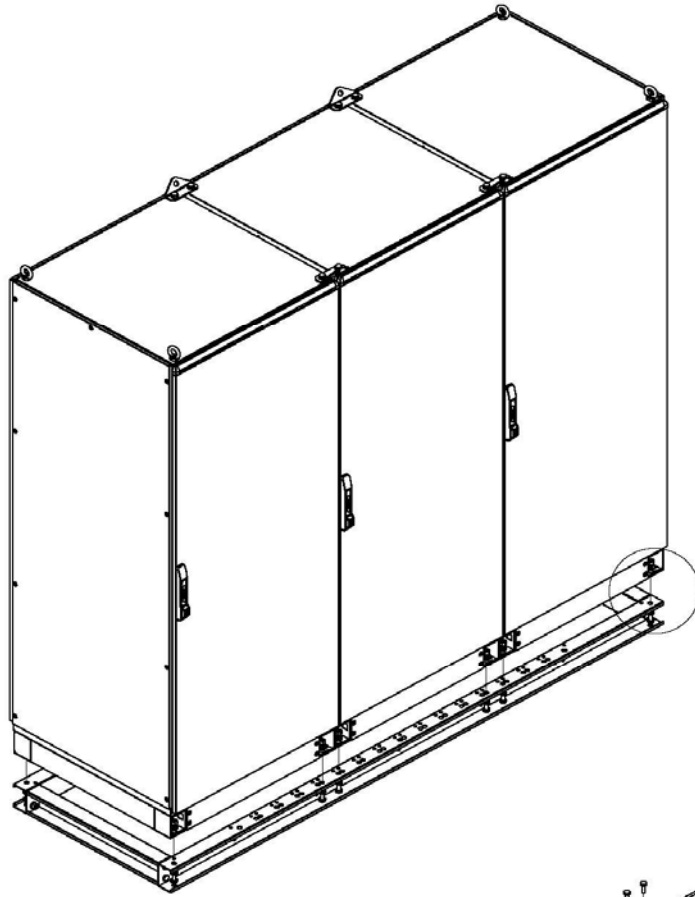


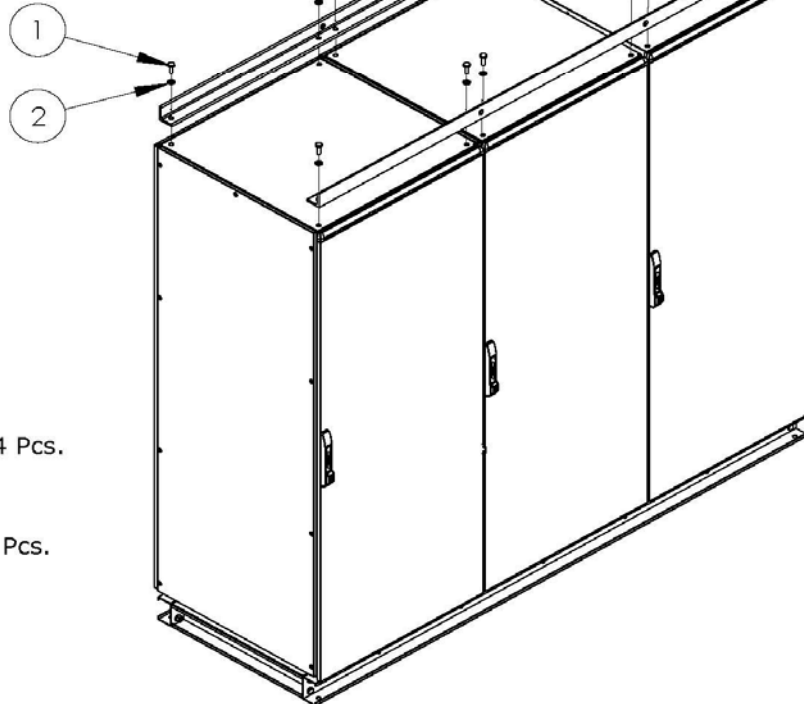
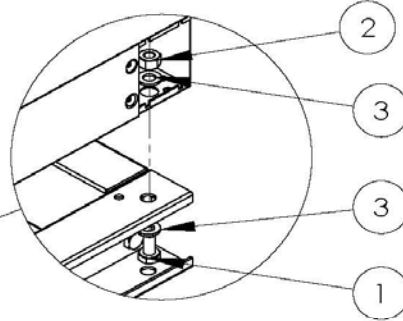
4 Pcs.

DOKÜMAN NO	KYT-050
REV. NO	3
SAYFA	80/68

SABİT BAZA
FIXED PLINTH

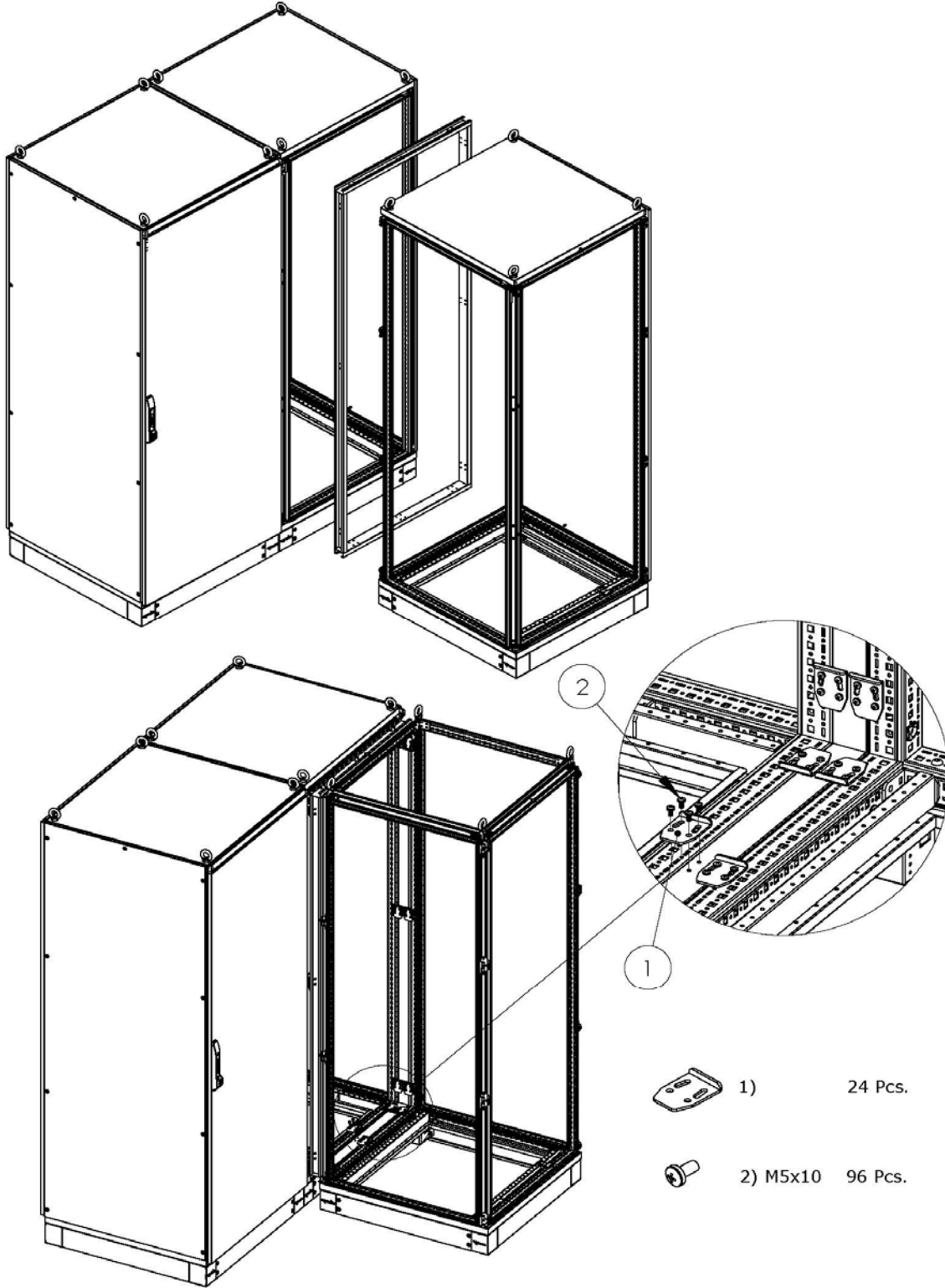
SABİT BAZA / ÜST KÖŞEBENT BAĞLANTI
FIXED PLINTH / TOP ANGLE IRON COMBINATION

DOKÜMAN NO	KYT-050
REV. NO	3
SAYFA	80/69

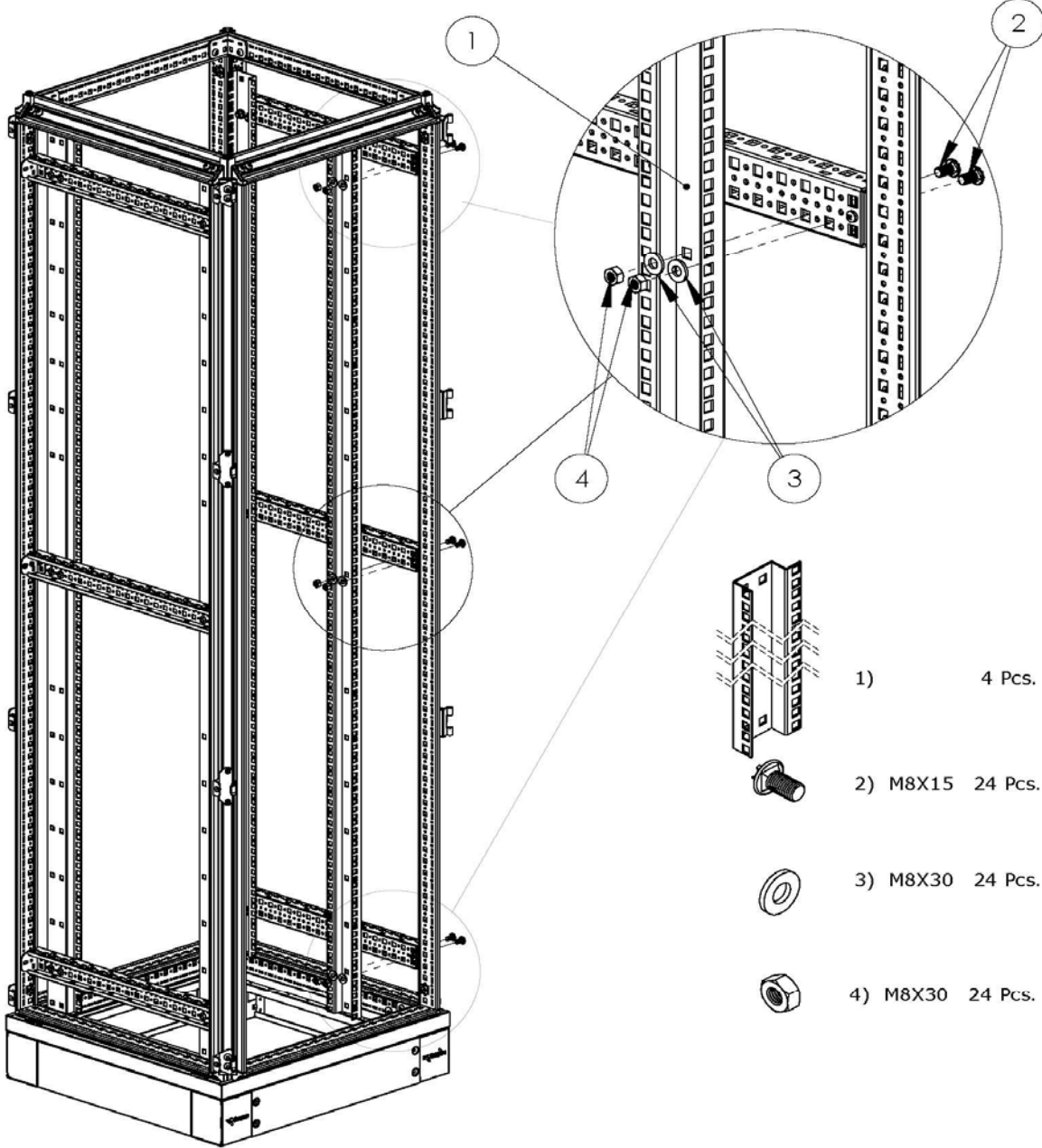
 1) M12X30 4 Pcs. 2) M12 4 Pcs. 3) M12 8 Pcs. 1) M12X30 4 Pcs. 3) M12 4 Pcs.

DOKÜMAN NO	KYT-050
REV. NO	3
SAYFA	80/70

KÖŞE PANO
CORNER ENCLOSURE

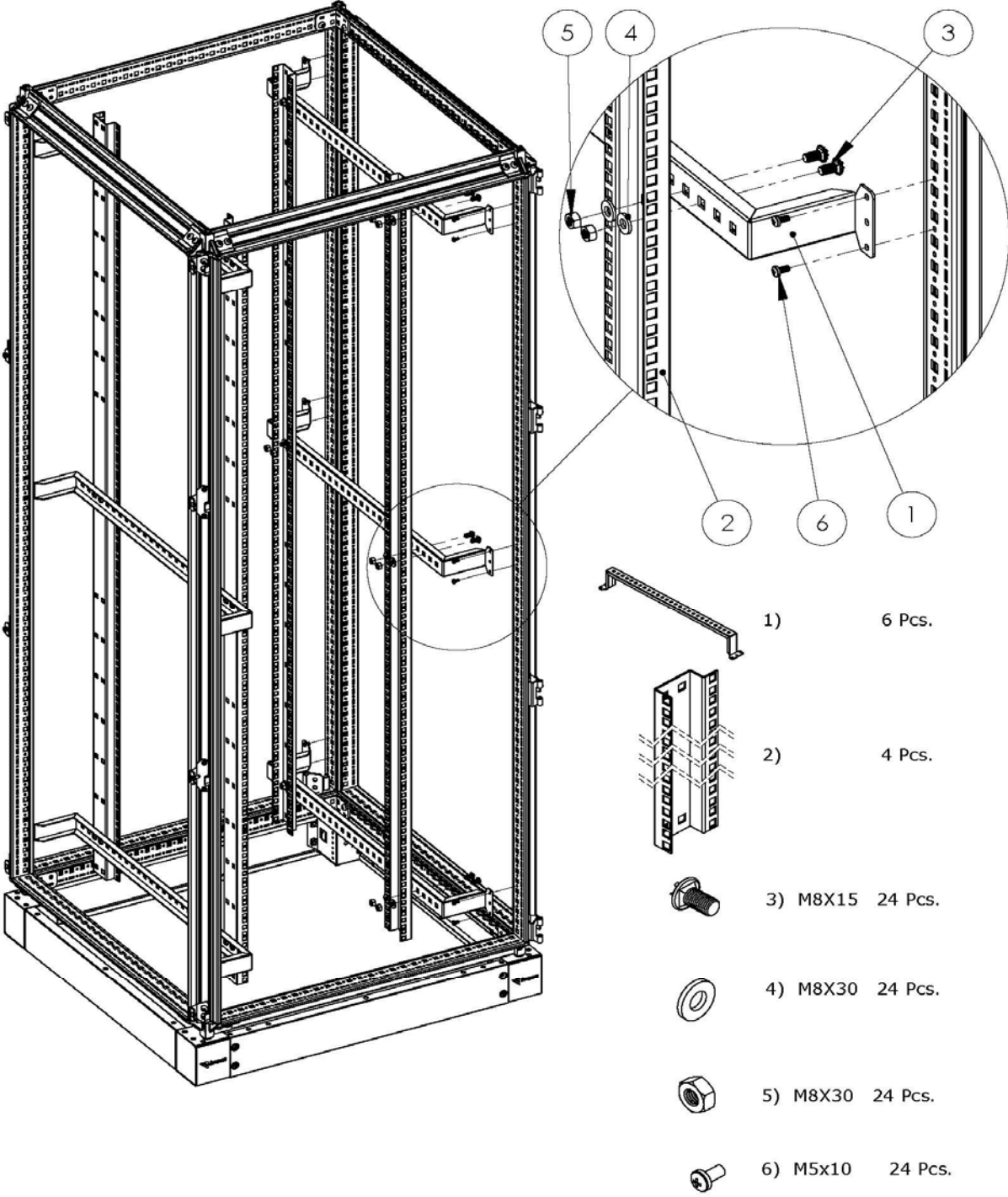


DOKÜMAN NO	KYT-050
REV. NO	3
SAYFA	80/71

19" BAĞLANTI PROFİLLERİ
19" COMBINATION PROFILES

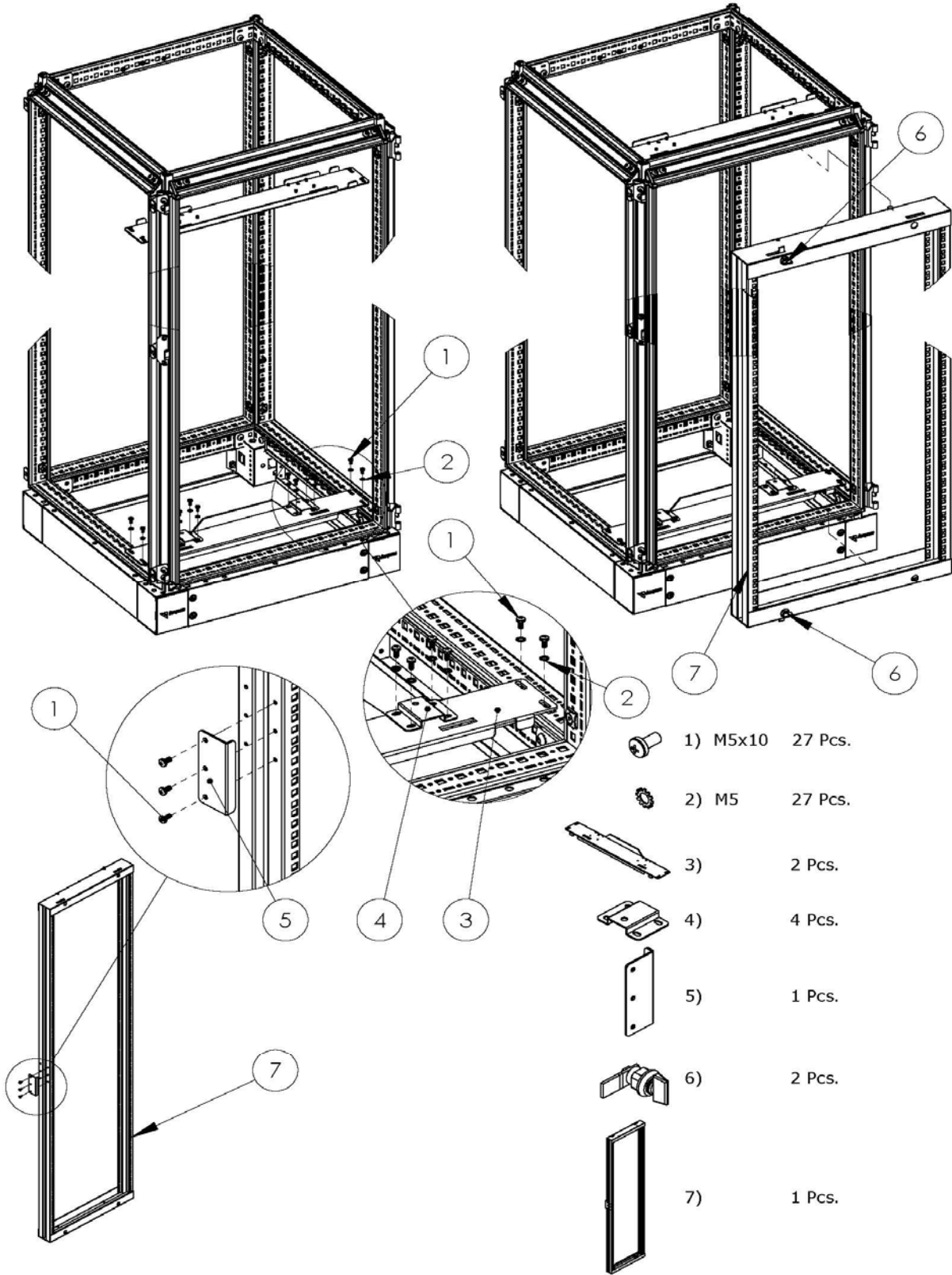
19" BAĞLANTI PROFİLLERİ
19" COMBINATION PROFILES

DOKÜMAN NO	KYT-050
REV. NO	3
SAYFA	80/72

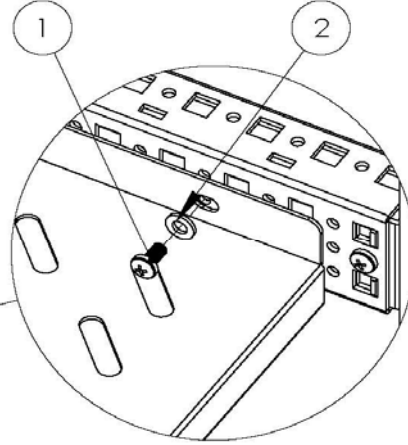
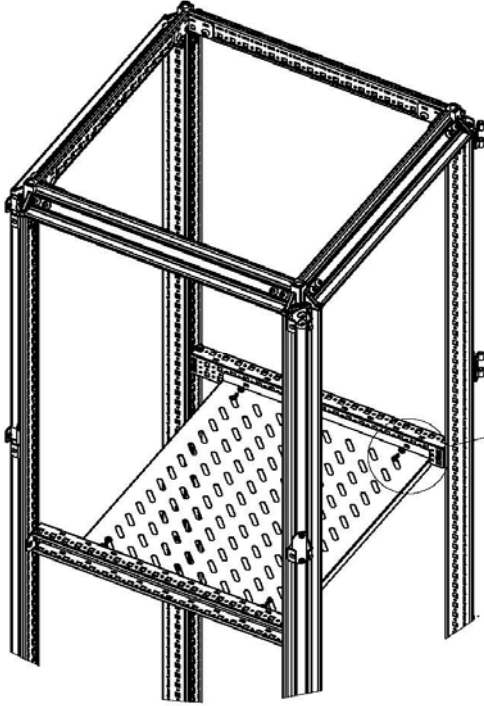




DOKÜMAN NO	KYT-050
REV. NO	3
SAYFA	80/73

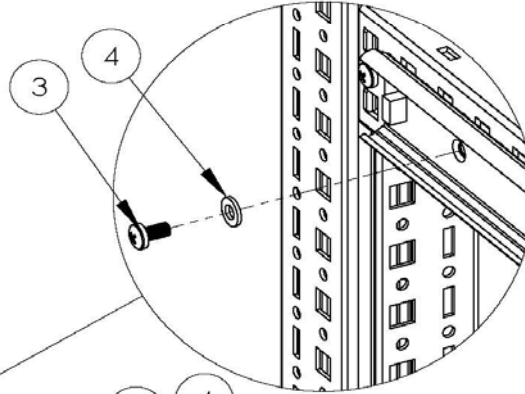
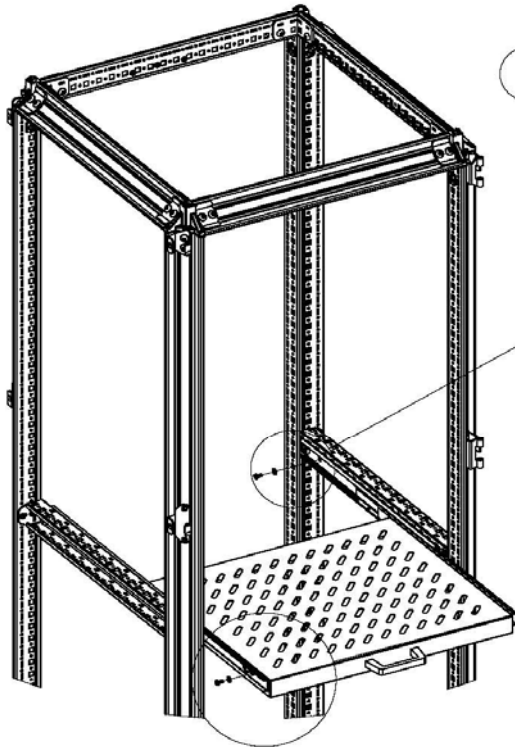
19" SWING FRAME
19" SWING FRAME





DOKÜMAN NO	KYT-050
REV. NO	3
SAYFA	80/74

SABİT ve HAREKETLİ RAF
FIXED and MOVABLE SHELF

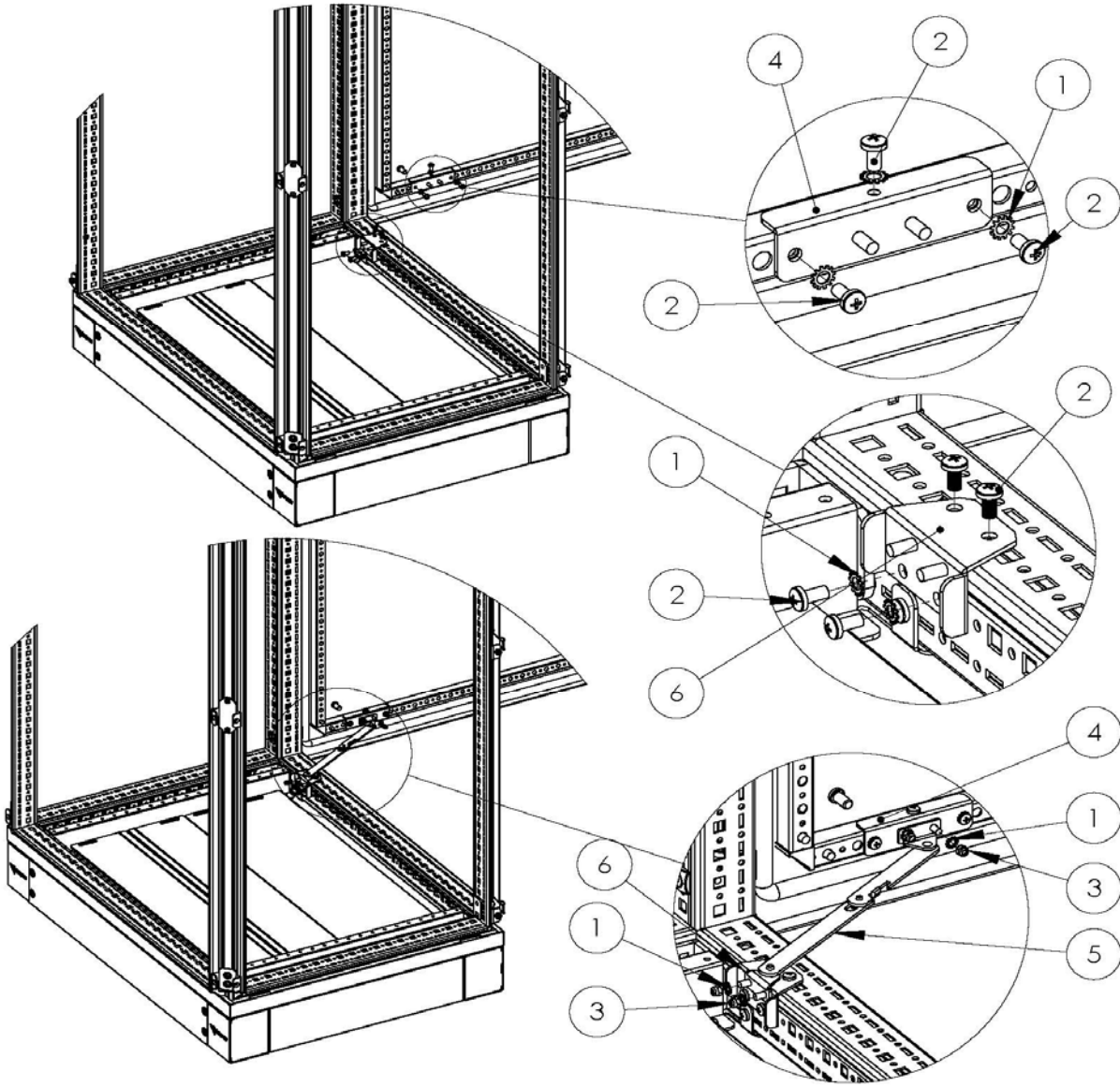
-  1) M5x10 4 Pcs.
-  2) M5 4 Pcs.






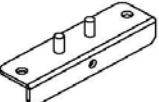

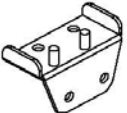
-  3) M5x10 8 Pcs.
-  4) M5 8 Pcs.

DOKÜMAN NO	KYT-050
REV. NO	3
SAYFA	80/75

KAPI DURDURUCU
DOOR STOPPER



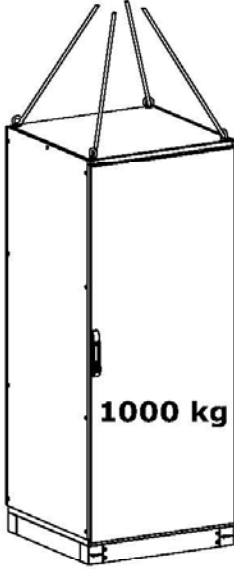
-  1) 9 Pcs.
-  2) M5x10 7 Pcs.
-  3) M5 4 Pcs.

-  4) 1 Pcs.
-  5) 1 Pcs.
-  6) 1 Pcs.

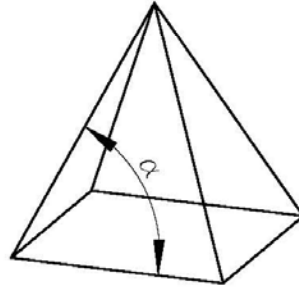
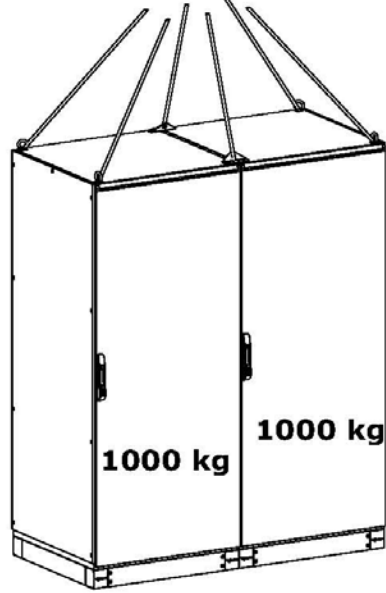
DOKÜMAN NO	KYT-050
REV. NO	3
SAYFA	80/76

TAŞIMA TALİMATI.
LIFTING INSTRUCTION

1000 kg

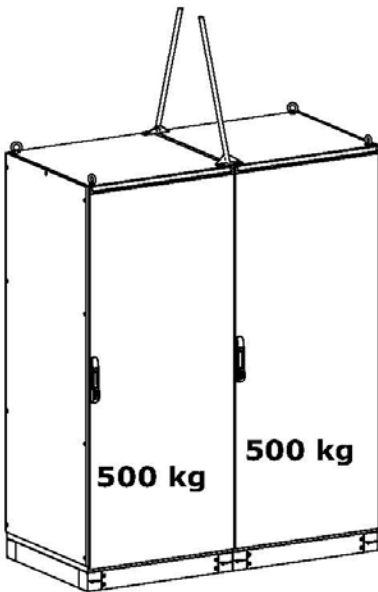


2000 kg

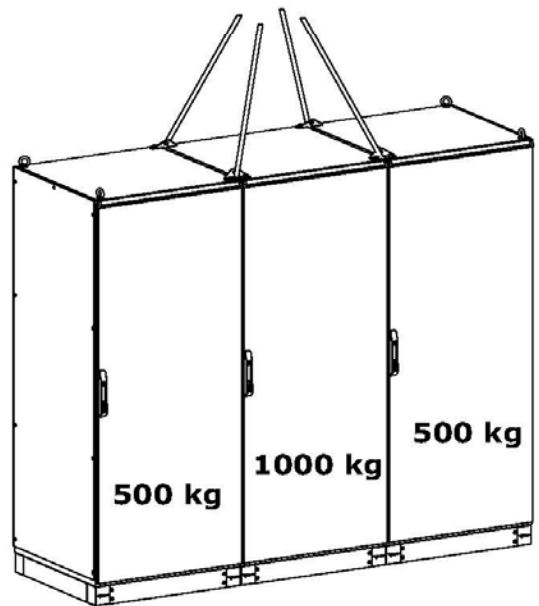


IDEAL $\alpha \geq 60^\circ$
MIN $\alpha \geq 45^\circ$

1000 kg

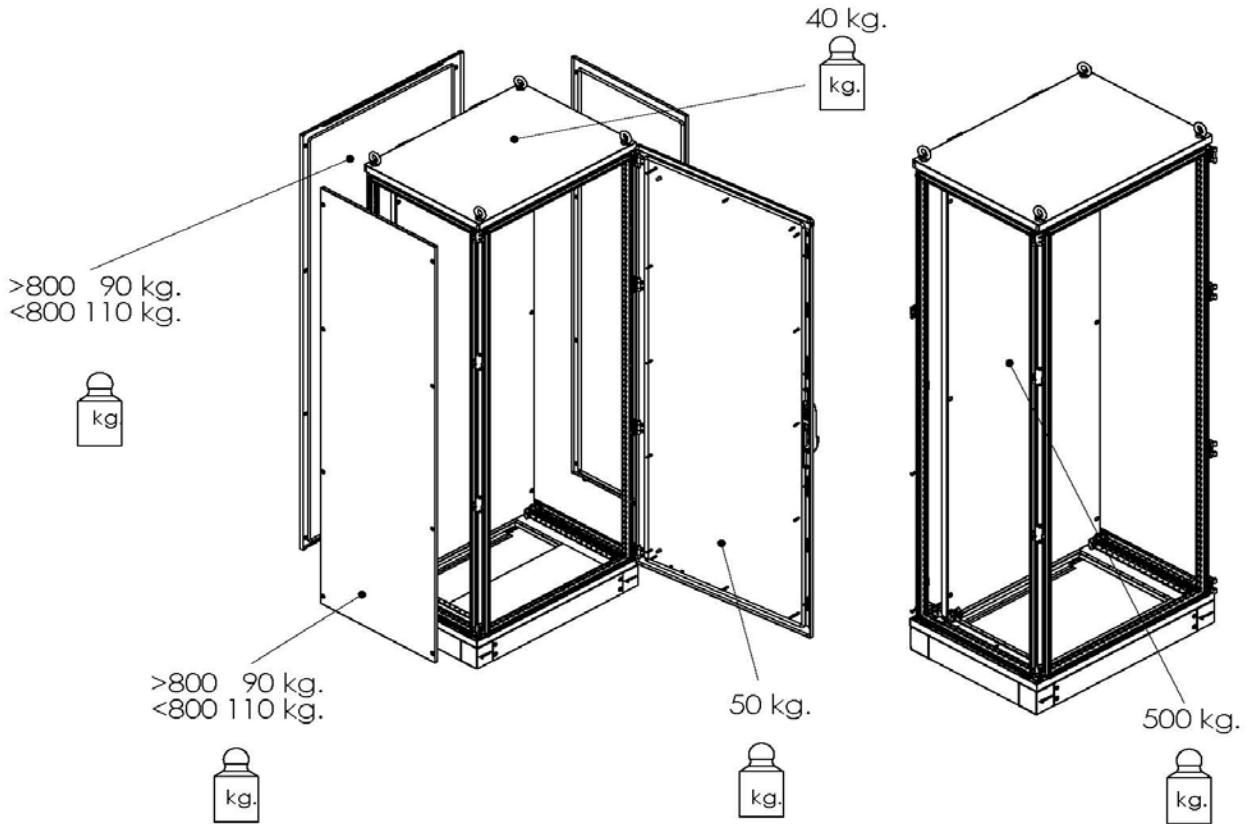
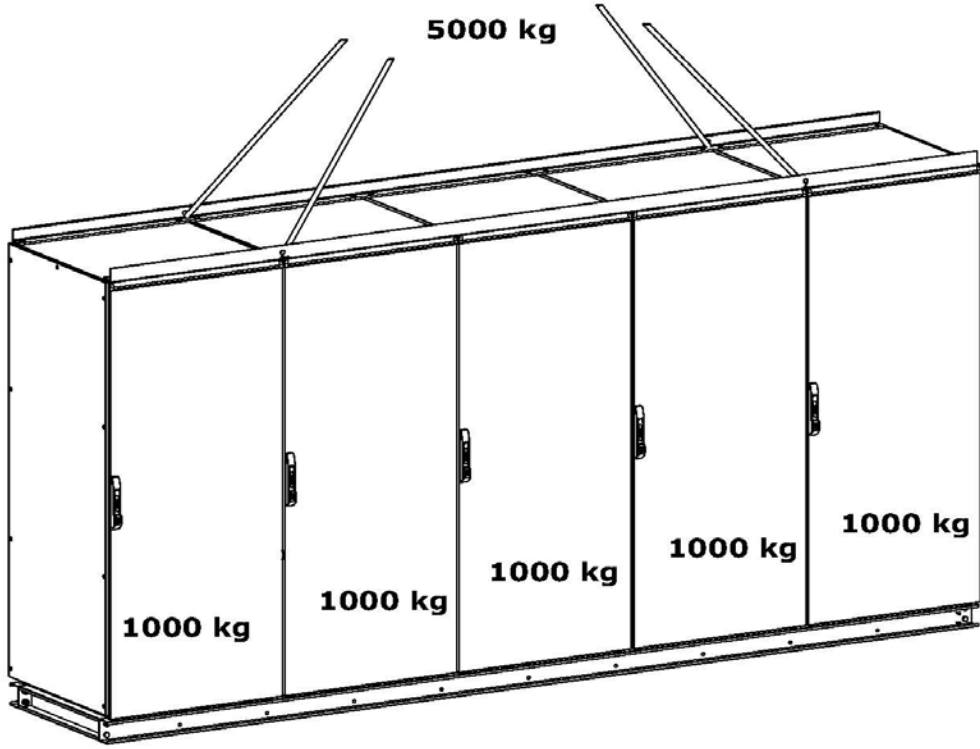


2000 kg



DOKÜMAN NO	KYT-050
REV. NO	3
SAYFA	80/77

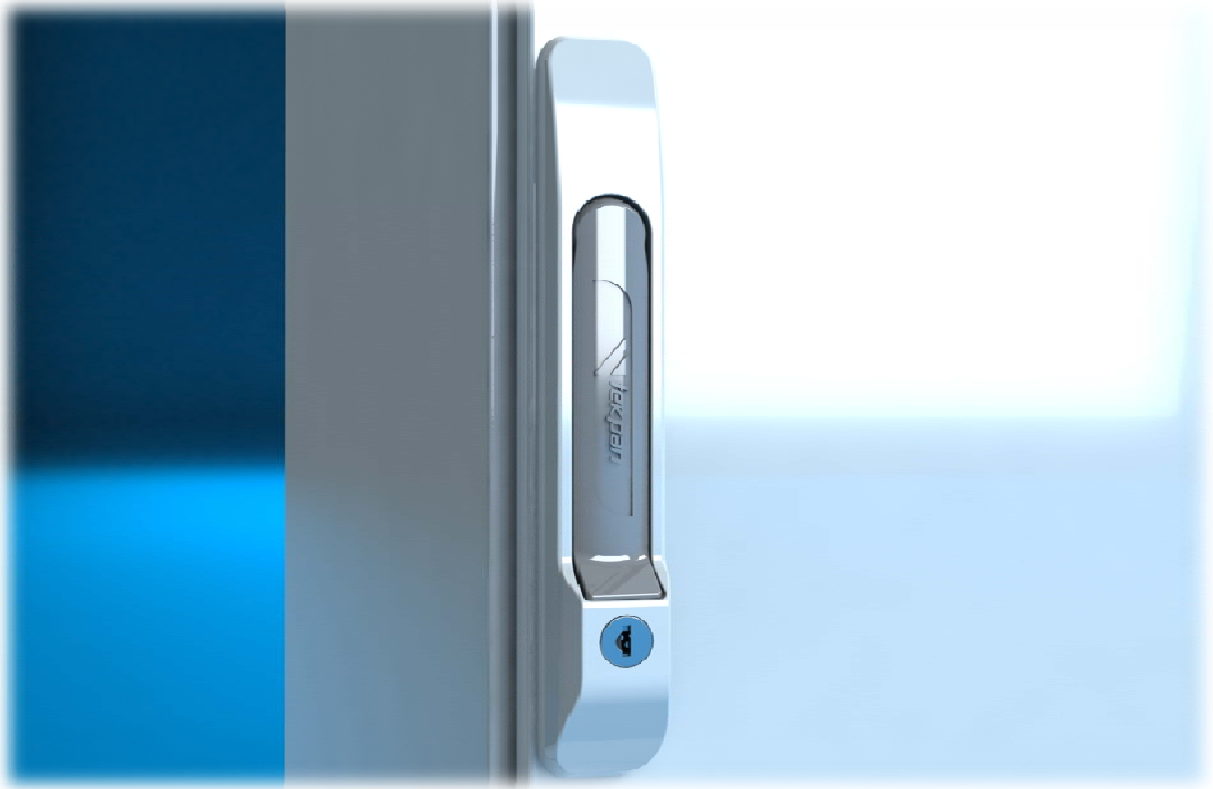
YÜKLEME TALİMATI TALİMATI.
LOADING INSTRUCTION



DOKÜMAN NO	KYT- 050
REV. NO	3
SAYFA	80/78



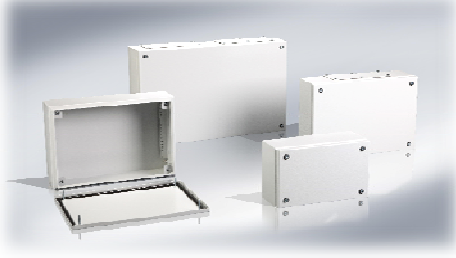
DOKÜMAN NO	KYT- 050
REV. NO	3
SAYFA	80/79



DIĞER ÜRÜNLER / OTHER PRODUCTS

DOKÜMAN NO	KYT- 050
REV. NO	3
SAYFA	80/80

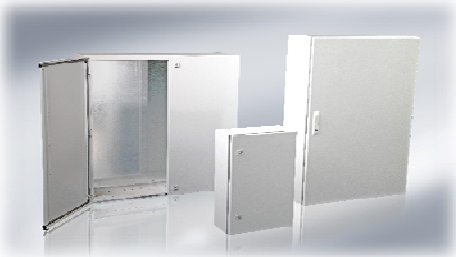
KT SERİSİ KLEMENS KUTULARI KT SERIE TERMINAL BOXES



PC SERİSİ BİLGİSAYAR KABİNİ PC SERIE PC CABINET



DM SERİSİ DUVAR TİP PANOLAR DM SERIE WALL MOUNTED ENCLOSURES



HC SERİ DİŐ ORTAM KABİNLERİ HC SERIE OUTDOOR CABINETS



ARES SERİSİ DUVAR TİP PANOLAR ARES SERIE WALL MOUNTED ENCLOSURES



RC SERIE NETWORK KABİNLER RC SERIE NETWORK CABINETS



KMT, KMP SERİSİ KUMANDA MASALARI KMT, KMP SERIES CONTROL DESKS



PASLANMAZ PANOLAR STAINLESS STEEL ENCLOSURES



TEKPAN TEKNİK ELEKTRİK KUMANDA PANO SANAYİ ve TURİZM LTD. ŐTİ

FABRİKA : Ankara asfaltı 14.Km. İstiklal mah. 17.Sk. No:8 Ulucak-KemalpaŐa / İZMİR TURKEY

Tel: +90 232 877 18 77 Fax: +90 232 877 13 48

info@tekpan.com.tr - export@tekpan.com.tr

www.tekpan.com.tr