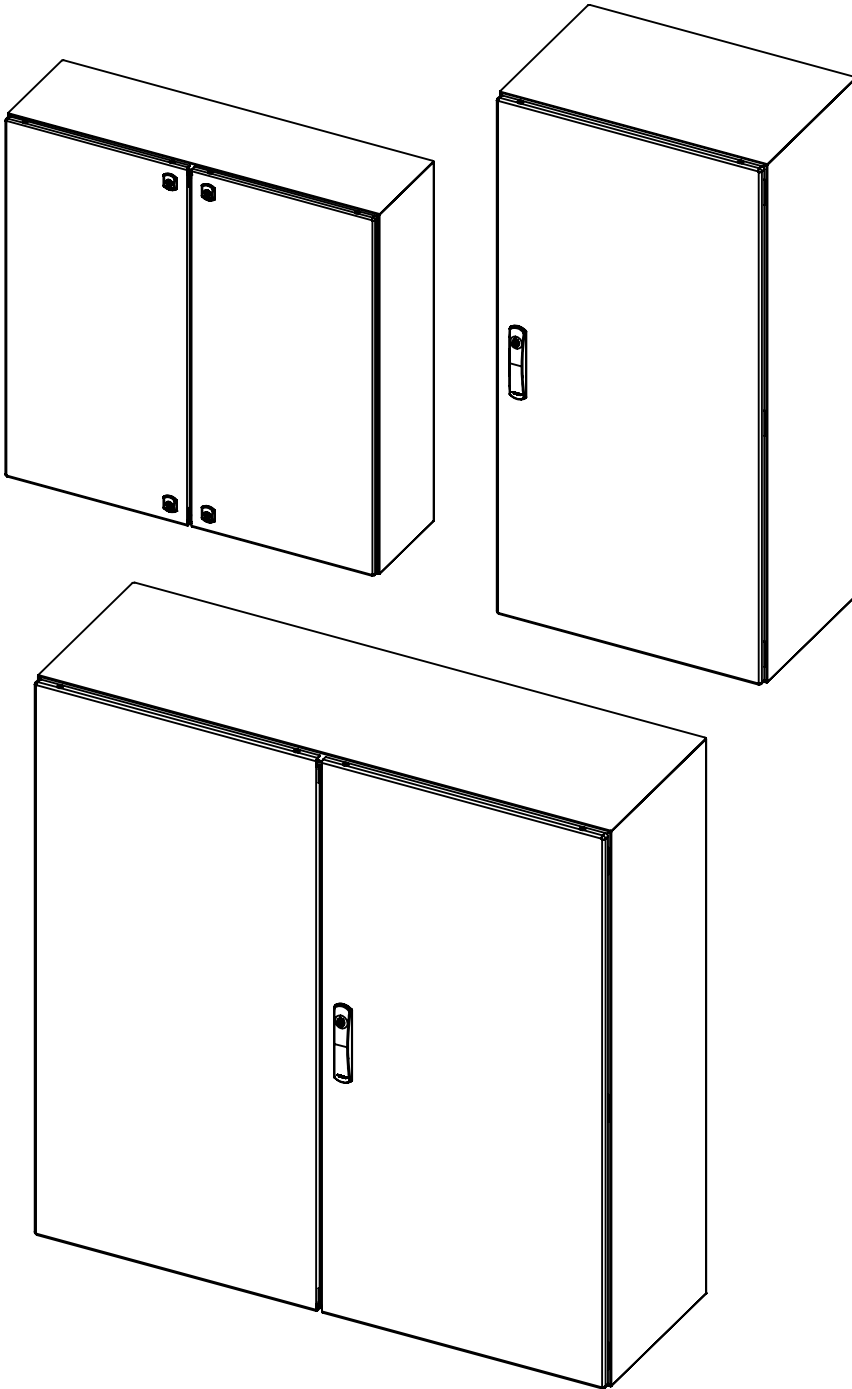


tekpan[®]

INDUSTRIAL ENCLOSURES & CABINETS



DM LARGE SERIES
DM LARGE SERİSİ

DM 286.140

DM 286.124

DM 288.140

DM 288.124

DM 281.130

DM 281.123

DM 281.143

DM 281.144

DM 281.830

DM 281.840

DM 281.230

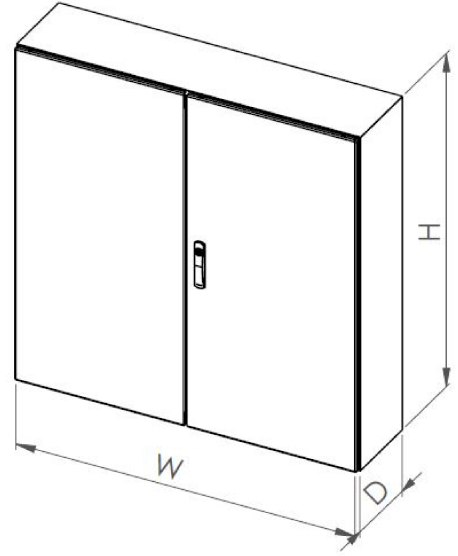
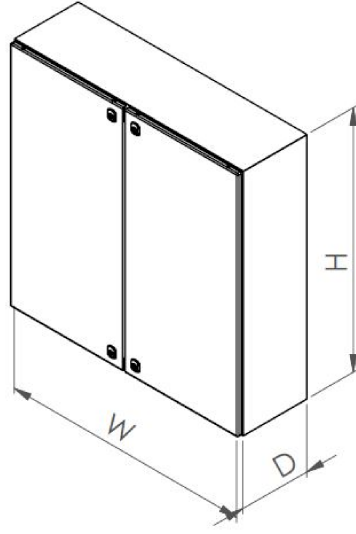
DM 281.140



For more information go to www.tekpan.com

DM LARGE SERIES

DM LARGE SERİSİ



DM 286.140

DM Large 600 G x 1000 Y x 400 D

DM 286.124

DM Large 600 G x 1200 Y x 400 D

DM 288.140

DM Large 800 G x 1000 Y x 400 D

DM 288.124

DM Large 800 G x 1200 Y x 400 D

DM 281.130

DM Large 1000 G x 1000 Y x 300 D

DM 281.123

DM Large 1000 G x 1200 Y x 300 D

DM 281.143

DM Large 1000 G x 1400 Y x 300 D

DM 281.144

DM Large 1000 G x 1400 Y x 400 D

DM 281.830

DM Large 1200 G x 800 Y x 300 D

DM 281.840

DM Large 1200 G x 800 Y x 400 D

DM 281.230

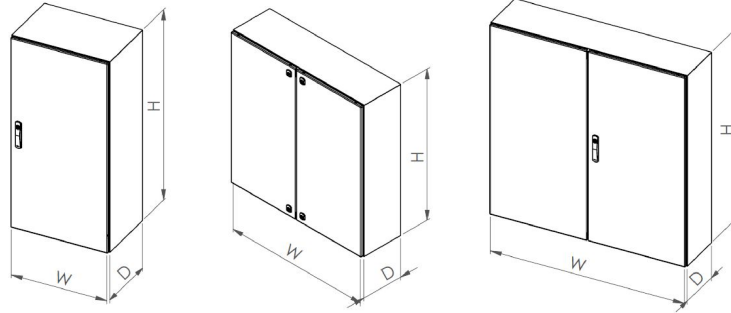
DM Large 1200 G x 1200 Y x 300 D

DM 281.140

DM Large 1200 G x 1200 Y x 400 D

DM LARGE SERIES

DM LARGE SERİSİ



DM LARGE SERIES

DM LARGE SERIES														
ITEM	Ref.No:	PRODUCT INFORMATION												
		ENCLOSURE DIMENSIONS W x H x D (mm)			SHEET THICKNESS(mm)			MOUNTING PLATE DIMENSIONS W x H (mm)		MOUNTING PLATE	DOOR			
		*WIDTH (mm)	*HEIGHT (mm)	*DEPTH (mm)	BODY (mm)	COVER (mm)	MOUNTING PLATE (mm)	WIDTH (mm)	HEIGHT (mm)	INC.-W/O	LOCK	LOCK PIECE	HINGE QTY	DOOR TYPE
1	DM 286.140	600	1000	400	1,5	2	2	550	975	INC.	QUARTER TURN DOUBLE-BIT LOCK	2	3	SOLID
2	DM 286.124	600	1200	400	1,5	2	2	550	1175	INC.	3 POINT DOUBLE-BIT LOCK	1	3	SOLID
3	DM 288.140	800	1000	400	1,5	2	2	750	975	INC.	QUARTER TURN DOUBLE-BIT LOCK	2	3	SOLID
4	DM 288.124	800	1200	400	1,5	2	2	750	1175	INC.	3 POINT DOUBLE-BIT LOCK	1	3	SOLID
5	DM 281.130	1000	1000	300	1,5	2	2	950	975	INC.	QUARTER TURN DOUBLE-BIT LOCK	4	6	DOUBLE
6	DM 281.123	1000	1200	300	1,5	2	2	950	1175	INC.	3 POINT DOUBLE-BIT LOCK	2	6	DOUBLE
7	DM 281.143	1000	1400	300	1,5	2	2	950	1375	INC.	3 POINT DOUBLE-BIT LOCK	2	6	DOUBLE
8	DM 281.144	1000	1400	400	1,5	2	2	950	1375	INC.	3 POINT DOUBLE-BIT LOCK	2	6	DOUBLE
9	DM 281.830	1200	800	300	1,5	2	2	1150	775	INC.	QUARTER TURN DOUBLE-BIT LOCK	4	4	DOUBLE
10	DM 281.840	1200	800	400	1,5	2	2	1150	775	INC.	QUARTER TURN DOUBLE-BIT LOCK	4	4	DOUBLE
11	DM 281.230	1200	1200	300	1,5	2	2	1150	1175	INC.	3 POINT DOUBLE-BIT LOCK	2	6	DOUBLE
12	DM 281.140	1200	1200	400	1,5	2	2	1150	1175	INC.	3 POINT DOUBLE-BIT LOCK	2	6	DOUBLE

Material	Main Body 1,5mm Mild Steel, Front Door 2mm Mild Steel Mounting Plate 2mm Galvanized
Surface Finishing	Iron-phosphate + electrostatic powder coating RAL 7035
IK 10	Single Door / Double Door
IP Class	IEC ve EN 60529 Single Door : IP 66 / Double Door : IP 54
NEMA Class	Single Door : Nema 4 / Double Door : Nema 12
Standarts	IEC 62208 (Enclosure Standarts)
Corrosion Class	C3 according to TS EN ISO 12944-2
Guarantee	KYT-72

DM LARGE SERIES

DM LARGE SERİSİ

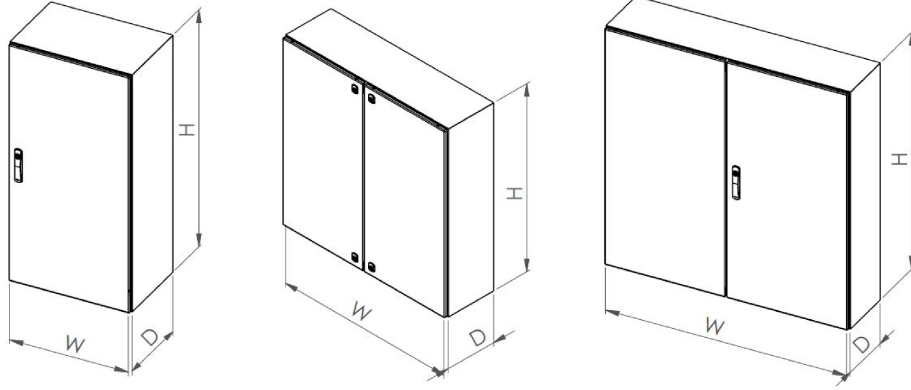
DM LARGE SERIES						
ITEM	Ref.No:	ENCLOSURE DIMENSIONS W x H x D (mm)			**MOUNTING PLATE	***WALL BRACKET
		*WIDTH (mm)	*HEIGHT (mm)	*DEPTH (mm)		
1	DM 286.140	600	1000	400	943.361	971.300
2	DM 286.124	600	1200	400	943.362	971.300
3	DM 288.140	800	1000	400	943.381	971.300
4	DM 288.124	800	1200	400	943.382	971.300
5	DM 281.130	1000	1000	300	943.311	971.300
6	DM 281.123	1000	1200	300	943.312	971.300
7	DM 281.143	1000	1400	300	943.314	971.300
8	DM 281.144	1000	1400	400	943.314	971.300
9	DM 281.830	1200	800	300	943.318	971.300
10	DM 281.840	1200	800	400	943.318	971.300
11	DM 281.230	1200	1200	300	943.322	971.300
12	DM 281.140	1200	1200	400	943.322	971.300

INFORMATION

- * Please check the electronic copies (2D drawing) for the original dimensions.
- ** The option is a product, the package content comes as 1 Mounting plate and bolt pack.
- *** One panel must be ordered per panel, there are 4 wall brackets, sealing gaskets and connection equipment in the package.

DM LARGE SERIES

DM LARGE SERİSİ



DM LARGE SERİSİ

ÜRÜN BİLGİSİ

SIRA	Ref.No:	ÜRÜN BİLGİSİ												
		PANO ÖLÇÜLERİ G x Y x D (mm)			SAC KALINLIKLARI(mm)			MONTAJ PLAKASI ÖLÇÜLERİ G x Y (mm)		MONTAJ PLAKASI	KAPAK			
		*GENİŞLİK (mm)	*YÜKSEKLİK (mm)	*DERİNLİK (mm)	GÖVDE (mm)	KAPAK (mm)	MONTAJ PLAKASI (mm)	GENİŞLİK (mm)	YÜKSEKLİK (mm)	MON. PL. VAR/ YOK	KİLİT	KİLİT ADEDİ	MENTEŞE ADEDİ	KAPI TİPİ
1	DM 286.140	600	1000	400	1,5	2	2	550	975	VAR	ÇEYREK DÖNÜŞLÜ DOUBLE-BIT KİLİT	2	3	DÜZ
2	DM 286.124	600	1200	400	1,5	2	2	550	1175	VAR	3 NOKTALI DOUBLE-BIT KİLİT	1	3	DÜZ
3	DM 288.140	800	1000	400	1,5	2	2	750	975	VAR	ÇEYREK DÖNÜŞLÜ DOUBLE-BIT KİLİT	2	3	DÜZ
4	DM 288.124	800	1200	400	1,5	2	2	750	1175	VAR	3 NOKTALI DOUBLE-BIT KİLİT	1	3	DÜZ
5	DM 281.130	1000	1000	300	1,5	2	2	950	975	VAR	ÇEYREK DÖNÜŞLÜ DOUBLE-BIT KİLİT	4	6	ÇİFT
6	DM 281.123	1000	1200	300	1,5	2	2	950	1175	VAR	3 NOKTALI DOUBLE-BIT KİLİT	2	6	ÇİFT
7	DM 281.143	1000	1400	300	1,5	2	2	950	1375	VAR	3 NOKTALI DOUBLE-BIT KİLİT	2	6	ÇİFT
8	DM 281.144	1000	1400	400	1,5	2	2	950	1375	VAR	3 NOKTALI DOUBLE-BIT KİLİT	2	6	ÇİFT
9	DM 281.830	1200	800	300	1,5	2	2	1150	775	VAR	ÇEYREK DÖNÜŞLÜ DOUBLE-BIT KİLİT	4	4	ÇİFT
10	DM 281.840	1200	800	400	1,5	2	2	1150	775	VAR	ÇEYREK DÖNÜŞLÜ DOUBLE-BIT KİLİT	4	4	ÇİFT
11	DM 281.230	1200	1200	300	1,5	2	2	1150	1175	VAR	3 NOKTALI DOUBLE-BIT KİLİT	2	6	ÇİFT
12	DM 281.140	1200	1200	400	1,5	2	2	1150	1175	VAR	3 NOKTALI DOUBLE-BIT KİLİT	2	6	ÇİFT

Malzeme	Gövde 1,5mm DKP Sac, Ön Kapı 2mm DKP Sac Montaj Plakası 2mm Galvaniz Sac
Yüzey İşlem	Demir-fosfat + elektrostatik toz boya RAL 7035
IK 10	Tek Kapılı, Çift Kapılı
IP Sınıfı	IEC ve EN 60529 Tek Kapı : IP 66 / Çift Kapı : IP 54
NEMA Sınıfı	Tek Kapı : Nema 4 / Çift Kapı : Nema 12
Standartlar	IEC 62208 (Pano Standartları)
Korozyon Sınıfı	TS EN ISO 12944-2'ye göre C3
Garanti	KYT-72

DM LARGE SERIES

DM LARGE SERİSİ

DM LARGE SERİSİ

SIRA	Ref.No:	PANO ÖLÇÜLERİ G x Y x D (mm)			**MONTAJ PLAKASI	***DUVAR TUTUCU
		*GENİŞLİK (mm)	*YÜKSEKLİK (mm)	*DERİNLİK (mm)		
		1	DM 286.140	600		
2	DM 286.124	600	1200	400	943.362	971.300
3	DM 288.140	800	1000	400	943.381	971.300
4	DM 288.124	800	1200	400	943.382	971.300
5	DM 281.130	1000	1000	300	943.311	971.300
6	DM 281.123	1000	1200	300	943.312	971.300
7	DM 281.143	1000	1400	300	943.314	971.300
8	DM 281.144	1000	1400	400	943.314	971.300
9	DM 281.830	1200	800	300	943.318	971.300
10	DM 281.840	1200	800	400	943.318	971.300
11	DM 281.230	1200	1200	300	943.322	971.300
12	DM 281.140	1200	1200	400	943.322	971.300










BİLGİ

- * Orjinal boyutlar için lütfen (2D çizim) elektronik kopyalarını kontrol edin.
- ** Opsiyon üründür, paket içeriği 1 adet Montaj plakası ve civata paketi olarak gelmektedir.
- *** Pano başına 1 adet sipariş edilmelidir, paket içeriğinde 4 adet duvar tutucu kulak, sızdırmazlık contası ve bağlantı ekipmanları mevcuttur.

DM LARGE SERIES

DM LARGE SERİSİ

DM LARGE ÜRÜN TABLOSU

Ref.No:	A	B	C	D	E	F	G	H	I
	Kullanım Kılavuzu <i>User Manuel</i>	Ø16x8 Conta Gasket	M8x16	M5	M6	Etiket Sticker	M8x15	M8	M8
									
DM 286.140	1	8	4	2	2	3	1	1	5
DM 286.124	1	8	4	2	2	3	1	1	5
DM 288.140	1	8	4	2	2	3	1	1	5
DM 288.124	1	8	4	2	2	3	1	1	5
DM 281.130	1	8	4	2	2	3	1	1	5
DM 281.123	1	8	4	4	4	5	1	1	5
DM 281.143	1	8	4	4	4	5	1	1	5
DM 281.144	1	8	4	4	4	5	1	1	5
DM 281.830	1	8	4	4	4	5	1	1	5
DM 281.840	1	8	4	4	4	5	1	1	5
DM 281.230	1	8	4	4	4	5	1	1	5
DM 281.140	1	8	4	4	4	5	1	1	5

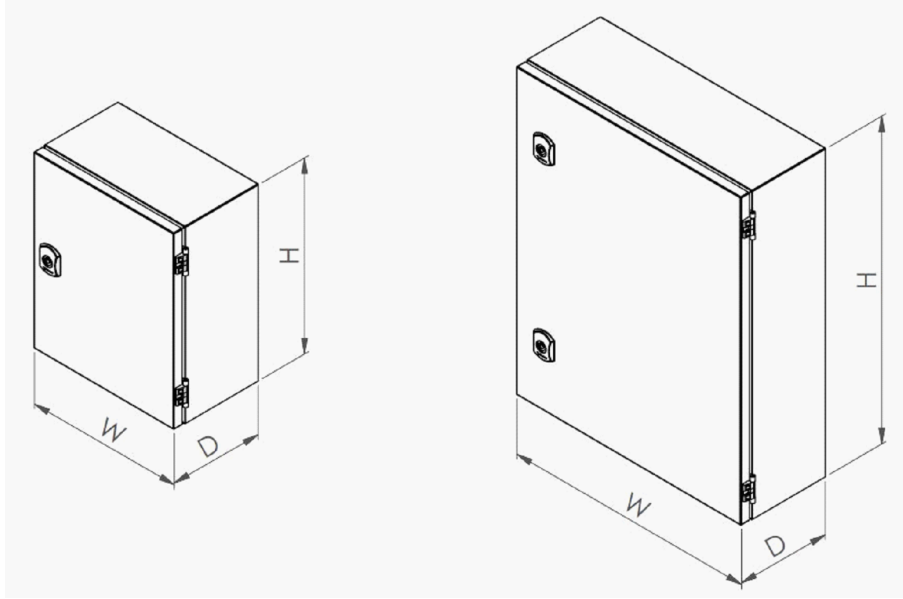
DM LARGE SERIES

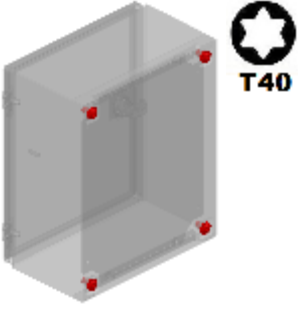
DM LARGE SERİSİ

DM LARGE SERİSİ						
SIRA	Ref.No:	KORUMA DERECE Sİ		SIRA	Ref.No:	HEAT LOSS (W) ($\Delta T=20K$)
		IP	IK			ISI KAYBI
1	DM 286.140	66	10	1	DM 286.140	98,74905201
2	DM 286.124	66	10	2	DM 286.124	110,2477141
3	DM 288.140	66	10	3	DM 288.140	134,8044604
4	DM 288.124	66	10	4	DM 288.124	151,9630497
5	DM 281.130	54	10	5	DM 281.130	136,4099092
6	DM 281.123	54	10	6	DM 281.123	162,1305109
7	DM 281.143	54	10	7	DM 281.143	176,4677653
8	DM 281.144	54	10	8	DM 281.144	218,3390232
9	DM 281.830	54	10	9	DM 281.830	140,38393
10	DM 281.840	54	10	10	DM 281.840	161,9046738
11	DM 281.230	54	10	11	DM 281.230	195,1670015
12	DM 281.140	54	10	12	DM 281.140	238,6270964

DM SMALL SERIES

DM SMALL SERİSİ












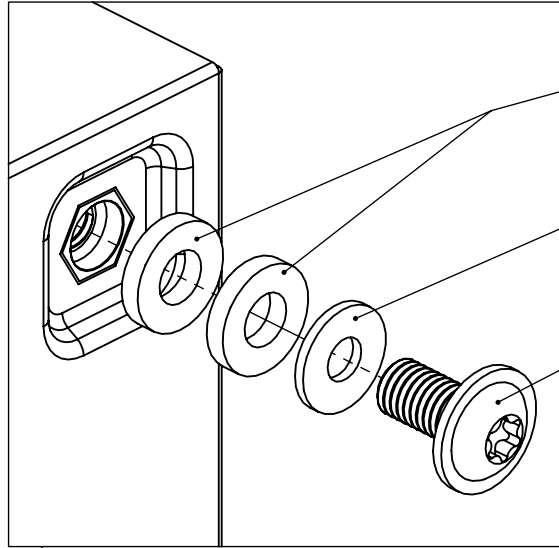


T40

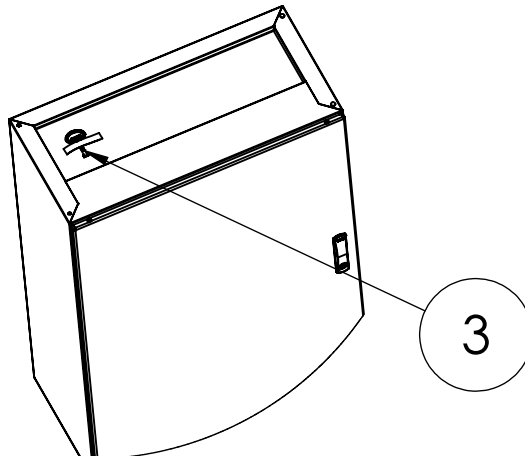
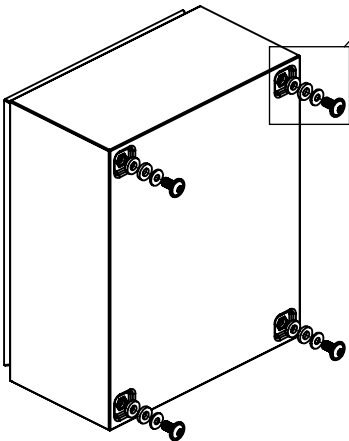
GASKET AND BOLT ASSEMBLY CONTA VE CIVATA MONTAJ

INNER PACKAGE CONTENT / İÇ PAKET İÇERİĞİ

PCS.			PCS.		
	M8x16	4		M8x15	1
	Ø 16x8 mm	8		M8	1
	M6	S-2/ D-4		M8	5
	M6	S-2/ D-4		Sticker/Etiket	S-3/ D-5
	Double Bit Key	1			



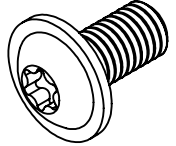
$M_A = 10 + 1Nm$



Ø16x8

1)  x8

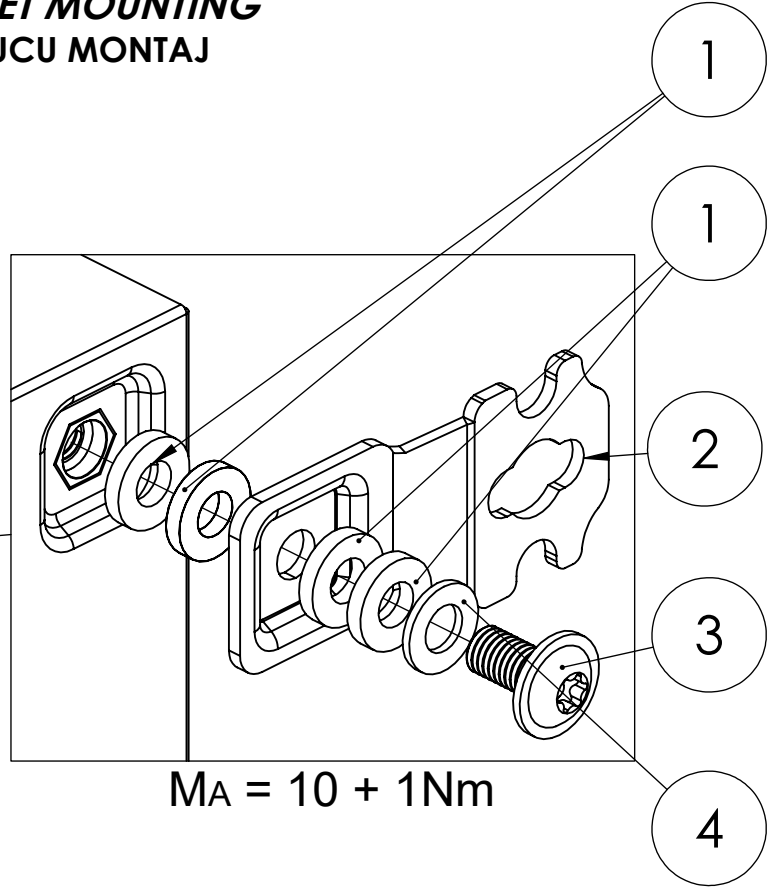
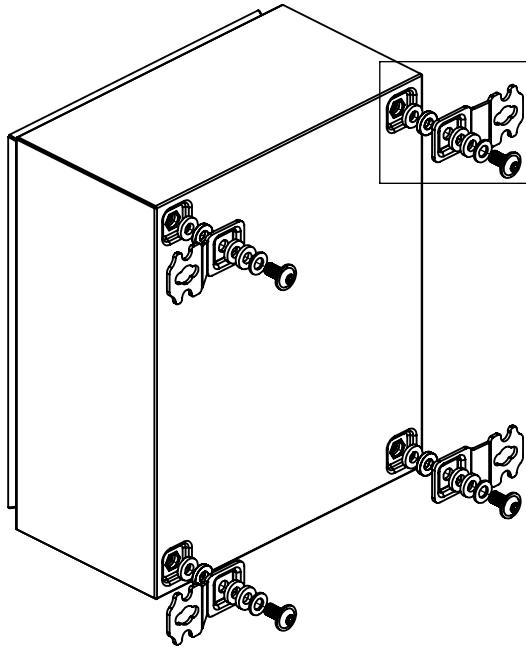
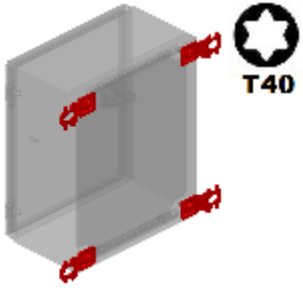
M8x16

2)  x4

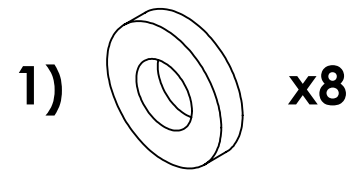
3)  x1

4)  x4

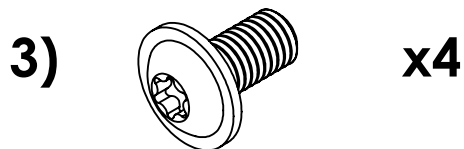
WALL BRACKET MOUNTING
DUVAR TUTUCU MONTAJ



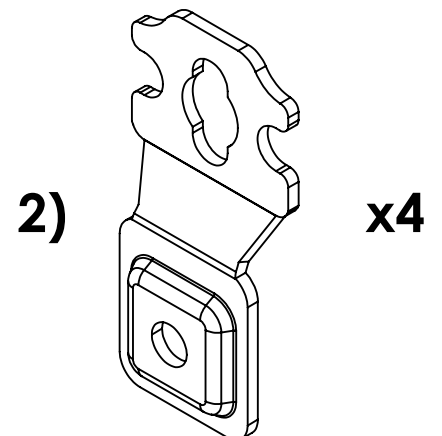
Ø16x8



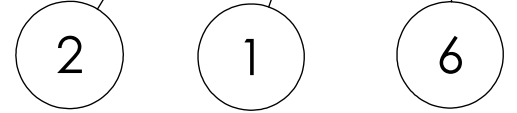
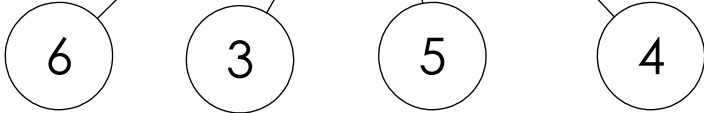
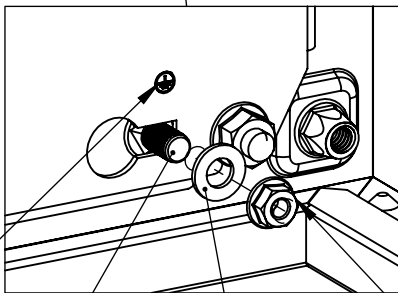
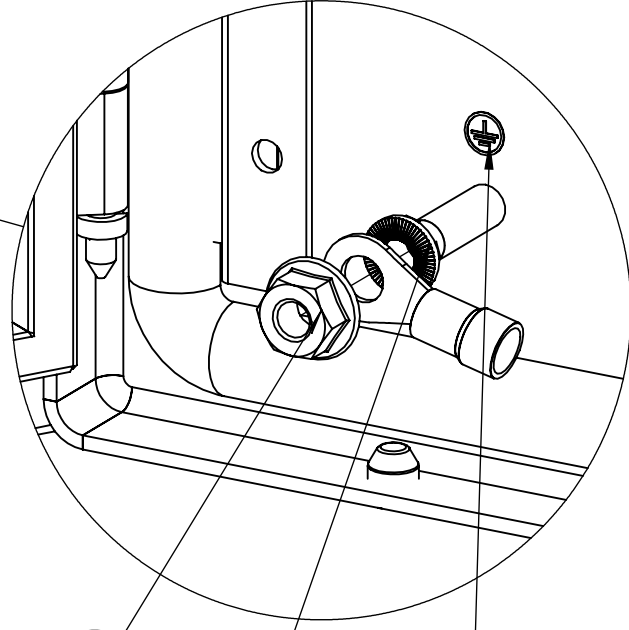
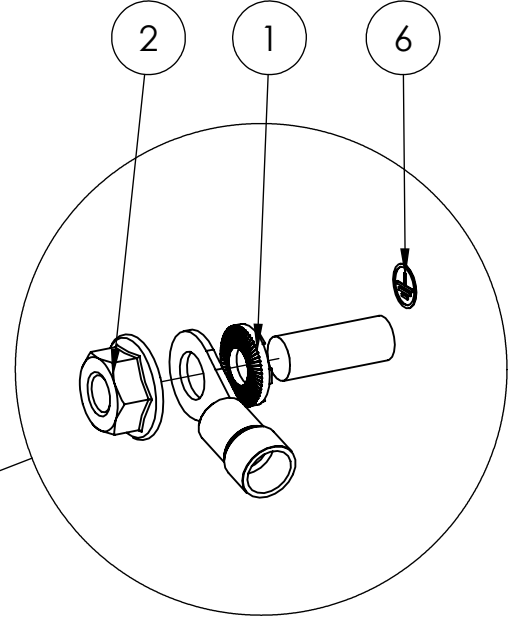
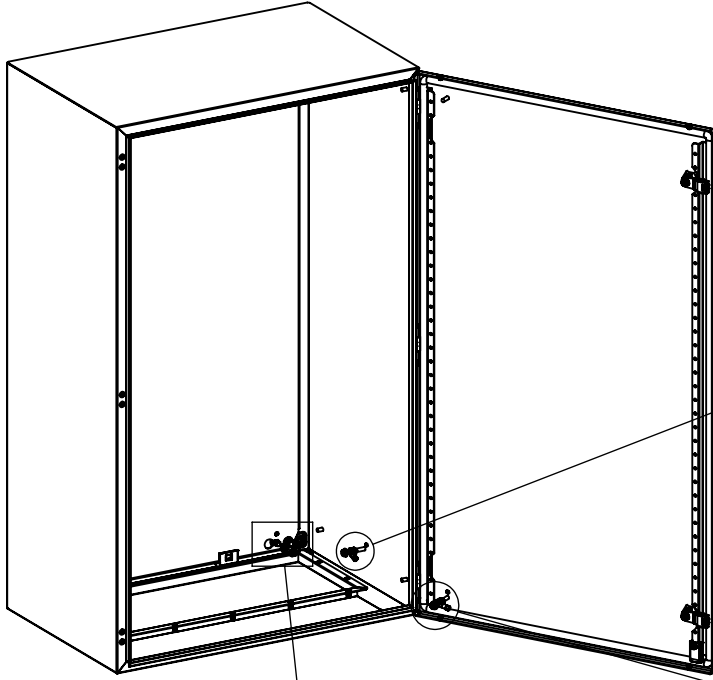
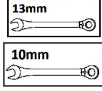
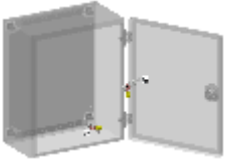
M8x16


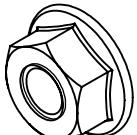
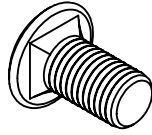

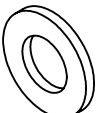



M8

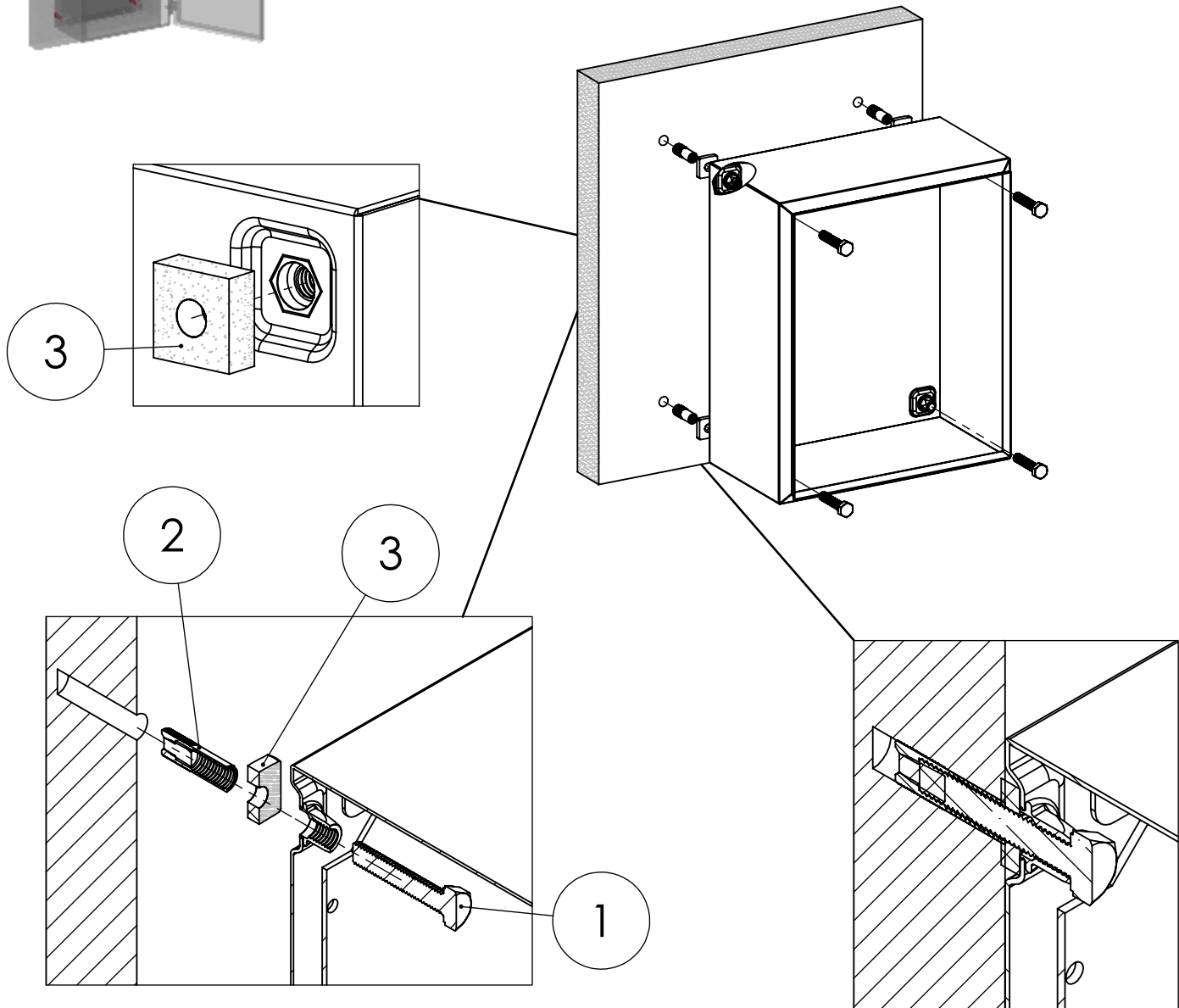
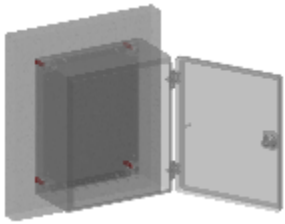
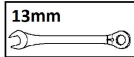


**EARTHING SYSTEM
TOPRAKLAMA SİSTEMİ**



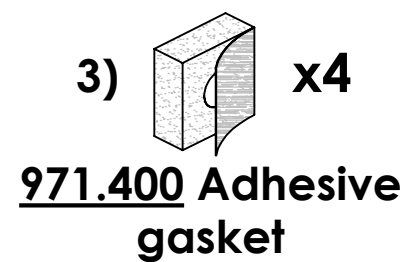
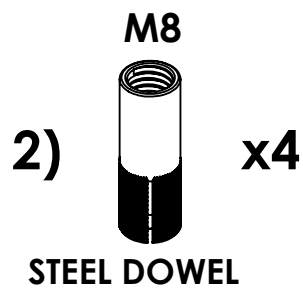
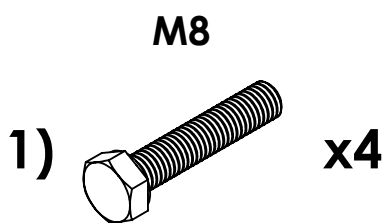
- | | | | | | | | |
|----|---|----|---|----|--|----|---|
| | M6 | | M6 | | M8x15 | | M8 |
| 1) |  | 2) |  | 3) |  | 4) |  |
| 5) |  | 6) |  | | | | |

DIRECT MOUNTING
DOĞRUDAN MONTAJ

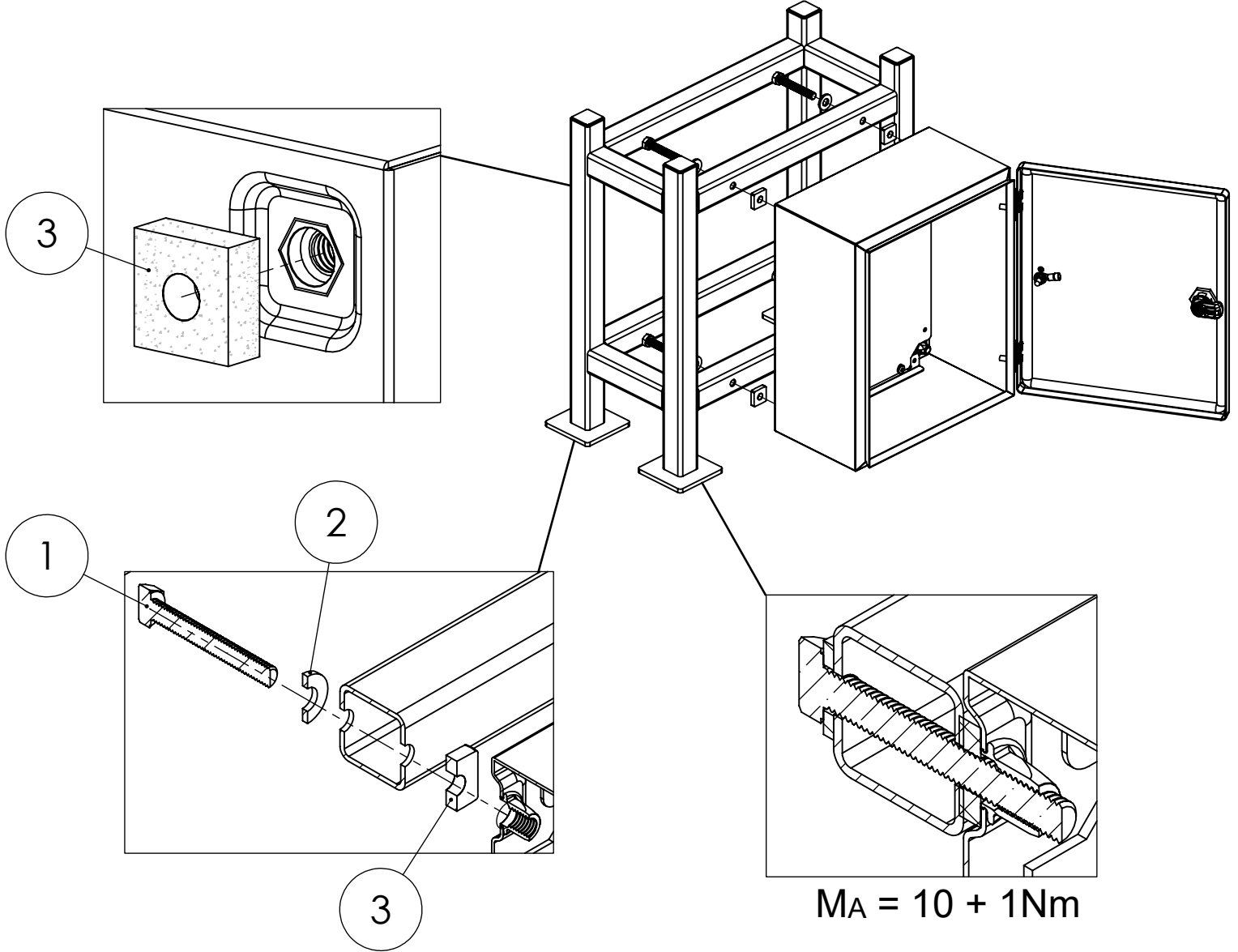
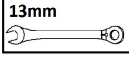
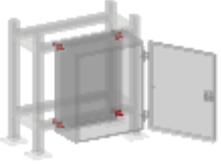


$MA = 10 + 1Nm$

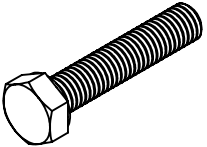
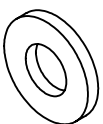
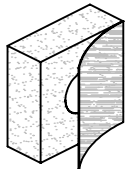
i **RECOMMENDED PARTS**

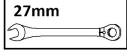
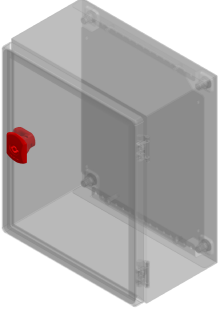


ASSEMBLY TO PROFILE CONSTRUCTION
PROFİL YAPIYA MONTAJ

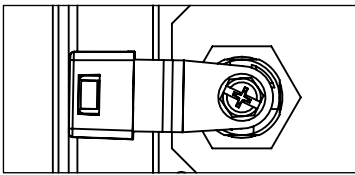
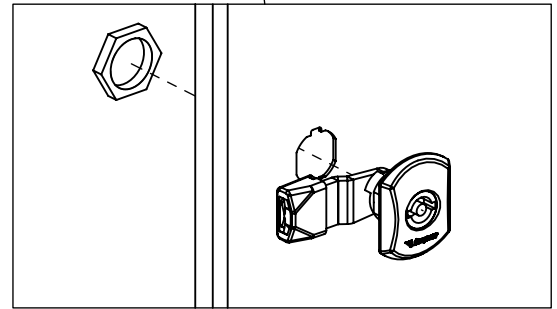
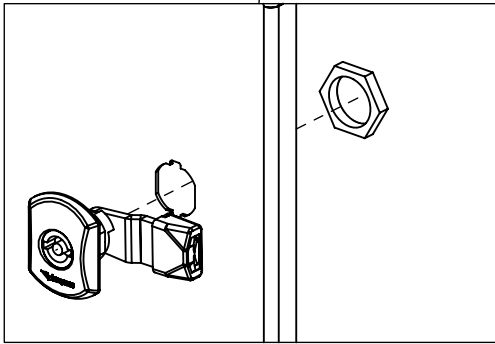
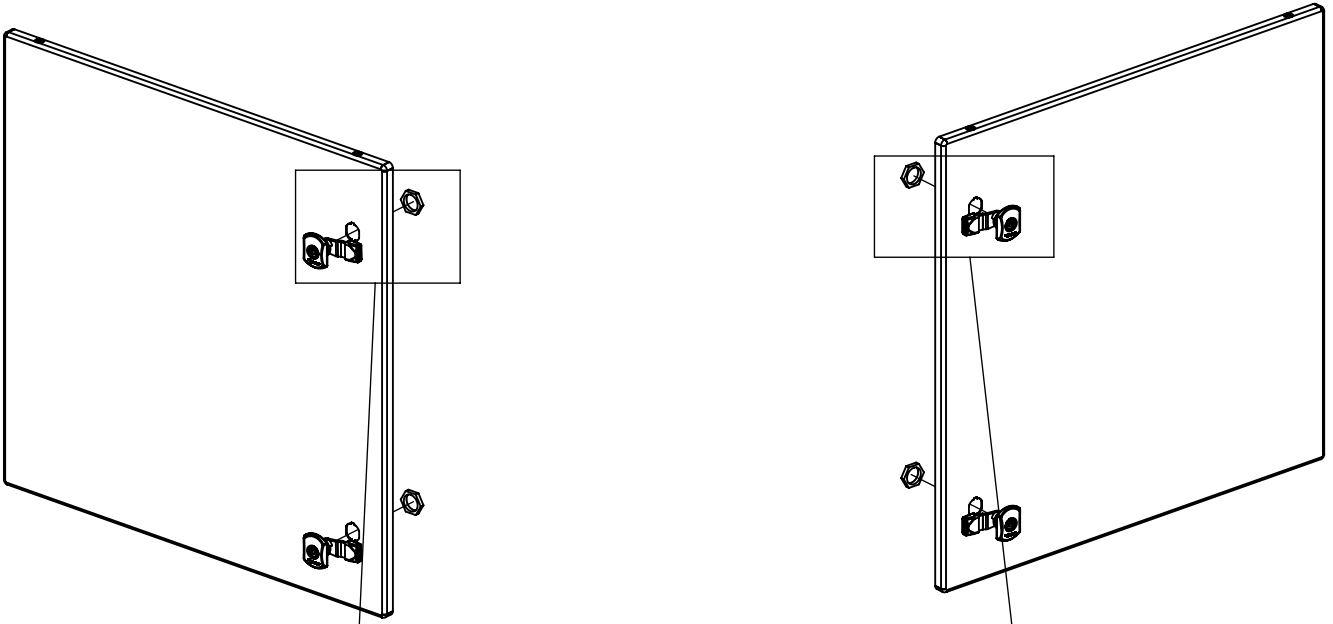
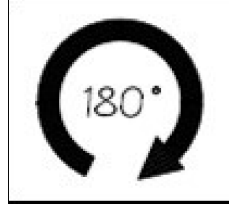


i **RECOMMENDED PARTS**

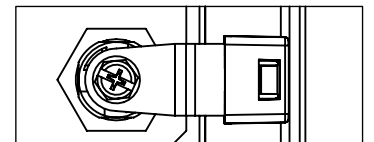
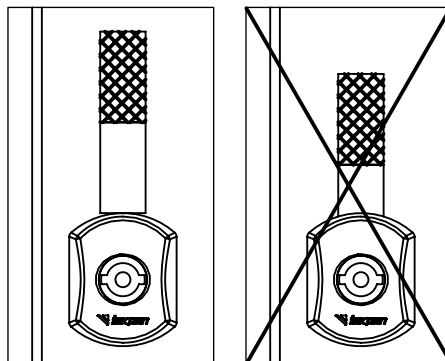
M8	M8	
1) 	2) 	3) 
x4	x4	x4
		971.400 Adhesive gasket



CHANGING THE DIRECTION OF THE LOCK KİLİT YÖN DEĞİŞTİRME



**REAR VIEW OF THE LOCK
KİLİT ARKA GÖRÜNÜM**

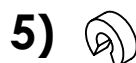
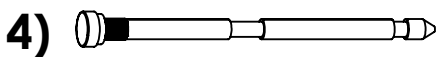
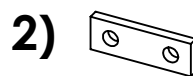
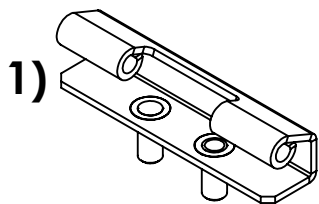
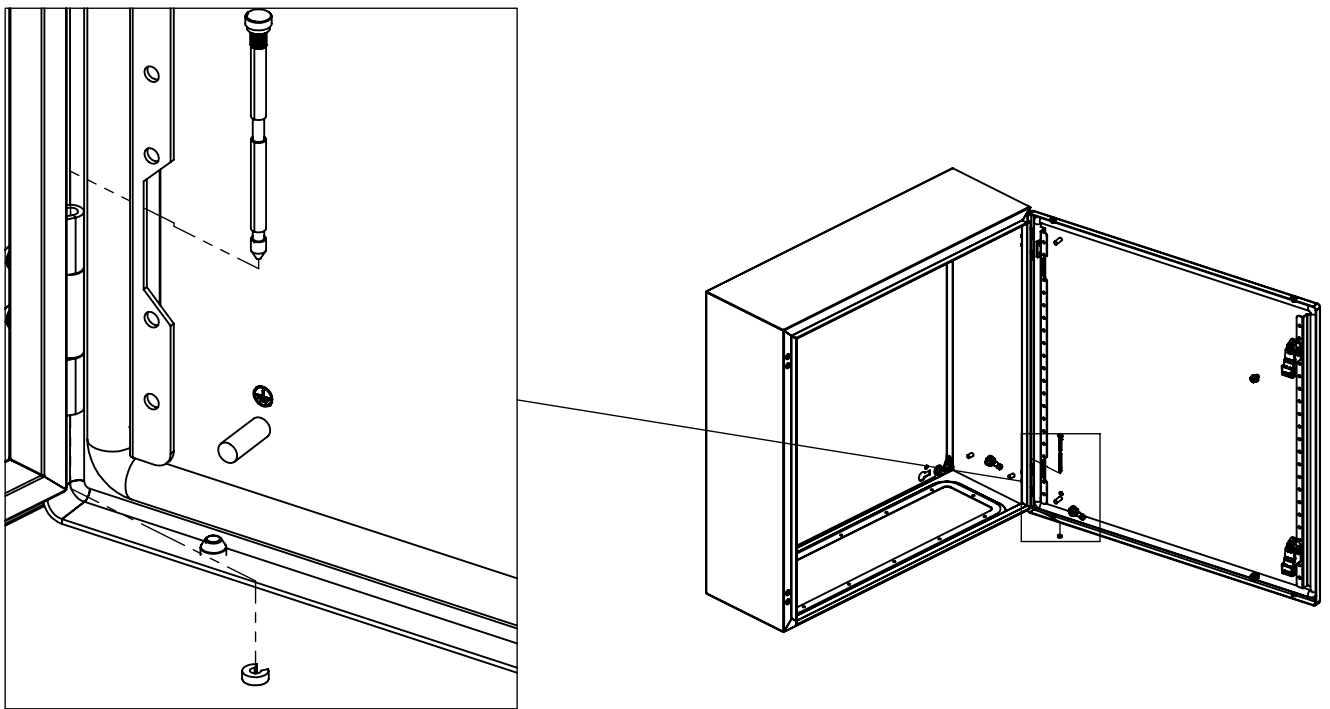
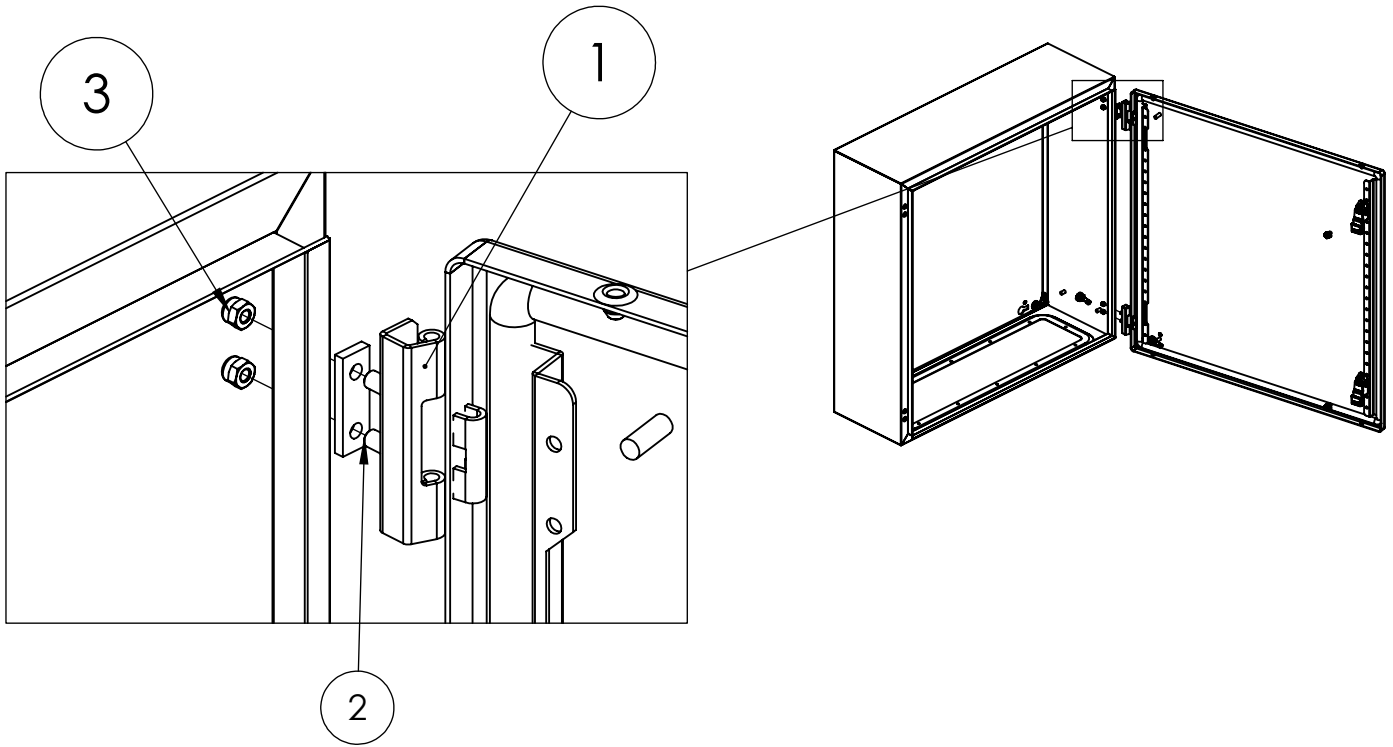


**REAR VIEW OF THE LOCK
KİLİT ARKA GÖRÜNÜM**

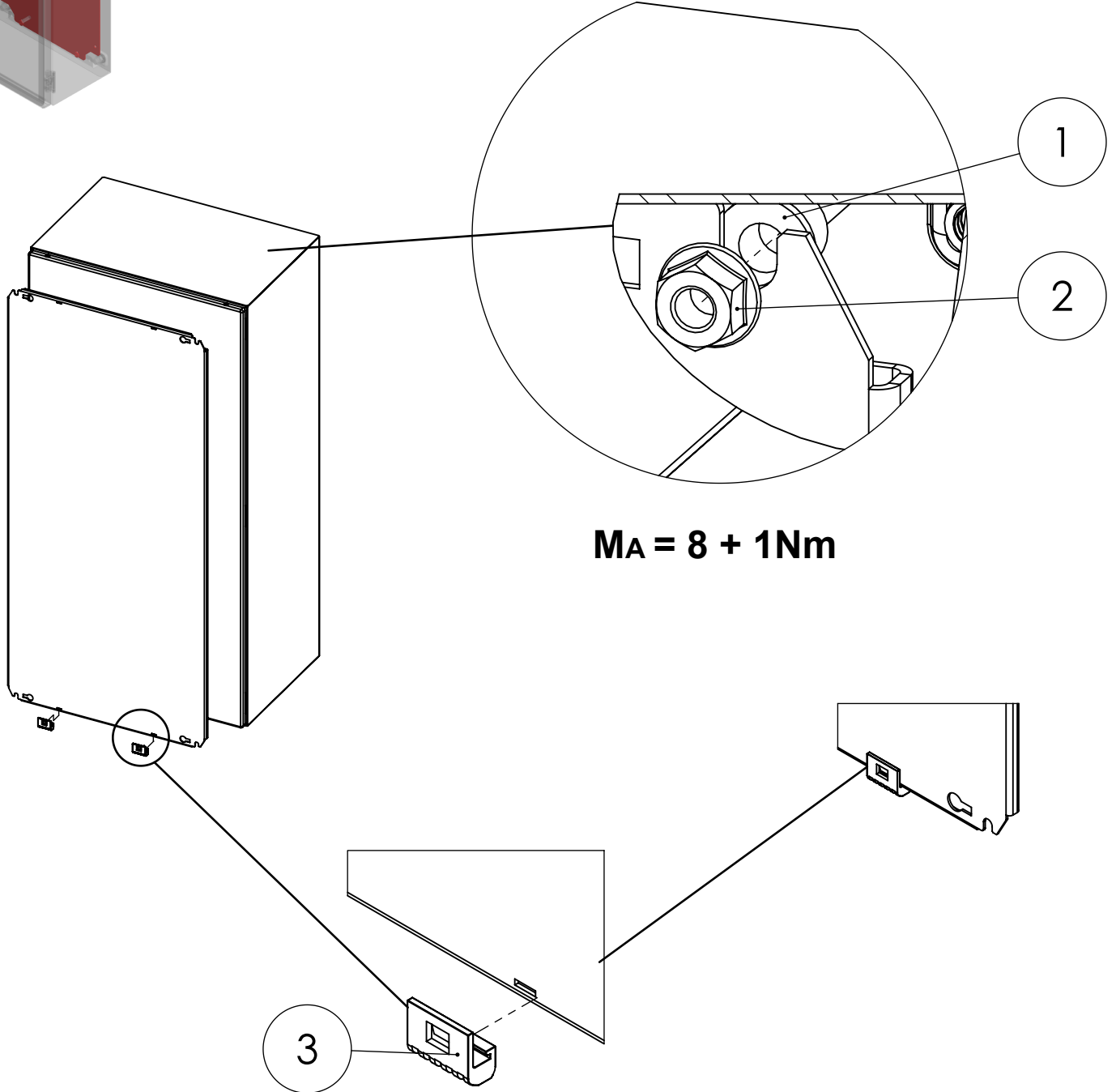
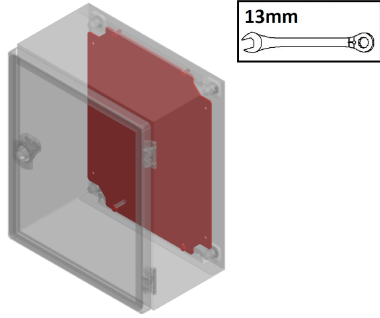
8mm

HINGE ASSEMBLY

MENTEŞE MONTAJ



MOUNTING PLATE ASSEMBLY
MONTAJ PLAKASI MONTAJ



1) M8x11 X4

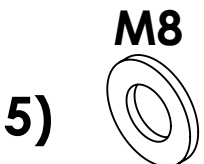
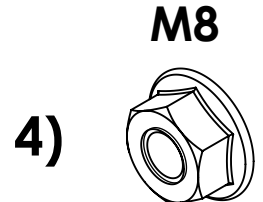
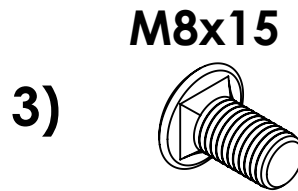
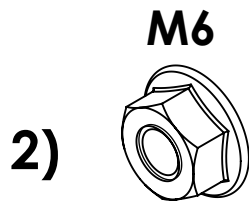
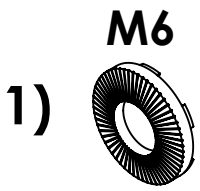
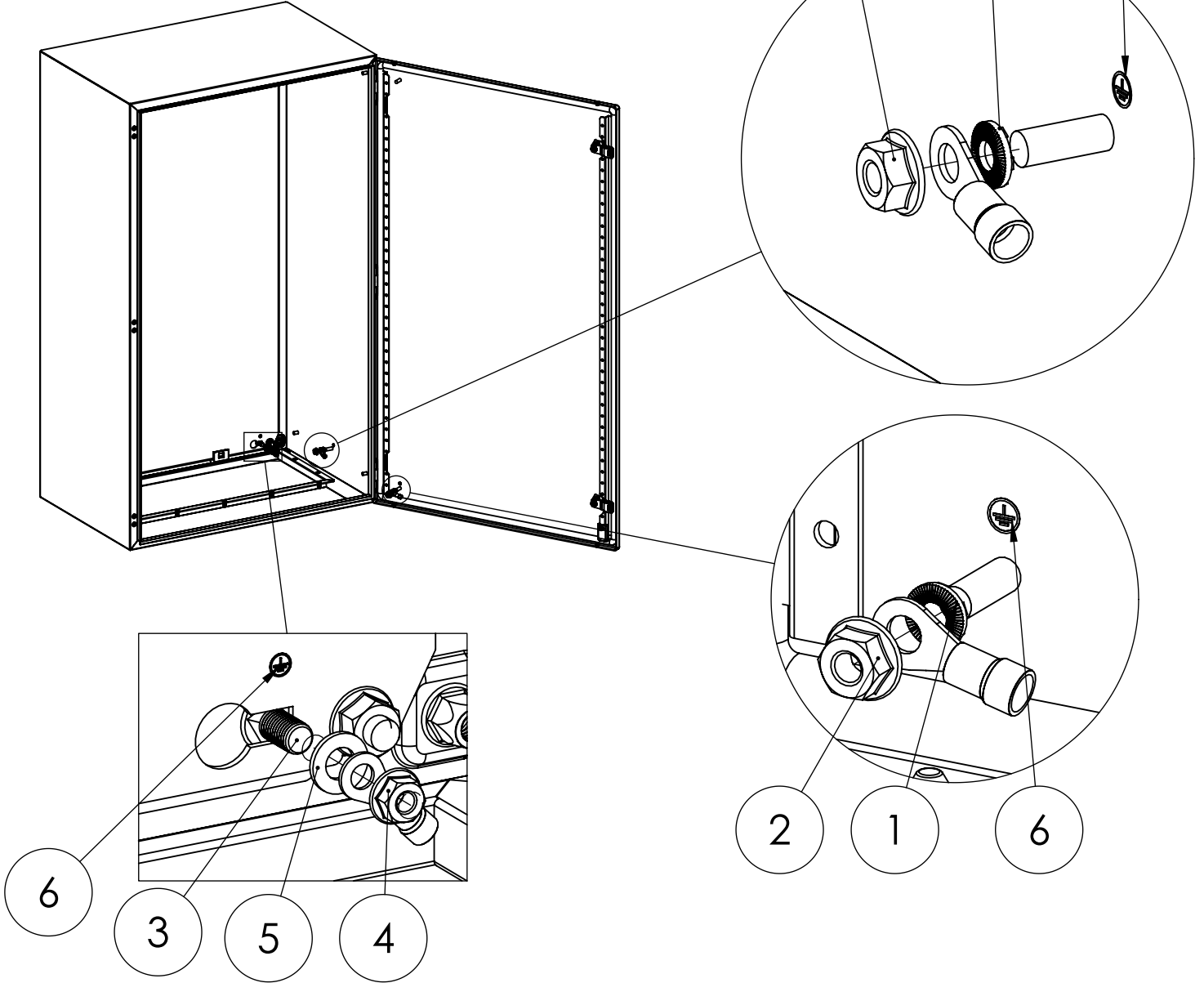
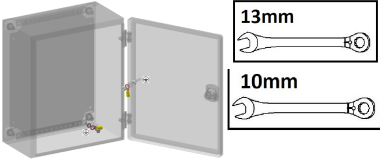
2) M8 X4

3) X2

Higher than 800W

3) X3

EARTHING SYSTEM TOPRAKLAMA SİSTEMİ



PERMISSIBLE SYMMETRICAL SHORT-CIRCUIT CURRENT OF EATHING STRAPS

EARTHING STRAPS, PVC INSULATED

Permissible symmetrical short-circuit current of earthing straps
(PE conductors) Cu (PVC insulated) in relation to short-circuit duration
of 0.04 s; 0.2 s; 0.5 s; 1 s; ve 5 s.

Permissible symmetrical short-circuit current

Break time of protective device	Cross-section of conductor (PVC insulation)					
	4 mm ² (Cu)	6 mm ² (Cu)	10 mm ² (Cu)	16 mm ² (Cu)	25 mm ² (Cu)	35 mm ² (Cu)
0,04 s	2,86 kA	4,29 kA	7,15 kA	11,44 kA	17,88 kA	25,03 kA
0,20 s	1,28 kA	1,92 kA	3,20 kA	5,12 kA	7,99 kA	11,19 kA
0,50 s	0,81 kA	1,21 kA	2,02 kA	3,24 kA	5,06 kA	7,08 kA
1,00 s	0,57 kA	0,86 kA	1,43 kA	2,29 kA	3,58 kA	5,01 kA
5,00 s	0,26 kA	0,38 kA	0,64 kA	1,02 kA	1,60 kA	2,24 kA

Basis of calculation EN 61 439-1, appendix B

$$Sp = \frac{\sqrt{I^2 \cdot t}}{k} \quad I = Sp \cdot k \cdot \sqrt{1/t}$$

I = Permissible symmetrical short-circuit in A

SP = Cross-section of conductor 4, 6, 10, 16, 25, 35 mm²

t = Break time 0,04; 0,2; 0,5; 1; 5 s

k = Material coefficient $k = 143 \text{ A} \cdot \sqrt{s/mm^2}$

EARTHING STRAPS, BARE CONDUCTORS

Permissible symmetrical short-circuit current of earthing straps
(PE conductors) Cu (bare conductors) in relation to a short-circuit duration
of 0.04 s; 0.2 s; 0.5 s; 1 s; ve 5 s.

Permissible symmetrical short-circuit current

Break time of protective device	Cross-section of PE conductor (bare)					
	4 mm ² (Cu)	6 mm ² (Cu)	10 mm ² (Cu)	16 mm ² (Cu)	25 mm ² (Cu)	35 mm ² (Cu)
0,04 s	3,52 kA	5,28 kA	8,80 kA	14,08 kA	22,00 kA	30,80 kA
0,20 s	1,57 kA	2,36 kA	3,94 kA	6,30 kA	9,84 kA	13,77 kA
0,50 s	1,00 kA	1,49 kA	2,49 kA	3,98 kA	6,22 kA	8,71 kA
1,00 s	0,70 kA	1,06 kA	1,76 kA	2,82 kA	4,40 kA	6,16 kA
5,00 s	0,31 kA	0,47 kA	0,79 kA	1,26 kA	1,97 kA	2,75 kA

Basis of calculation EN 61 439-1, appendix B

$$Sp = \frac{\sqrt{I^2 \cdot t}}{k} \quad I = Sp \cdot k \cdot \sqrt{1/t}$$

I = Permissible symmetrical short-circuit in A

SP = Cross-section of conductor 4, 6, 10, 16, 25, 35 mm²

t = Break time 0,04; 0,2; 0,5; 1; 5 s

k = Material coefficient $k = 176 \text{ A} \cdot \sqrt{s/mm^2}$

TOPRAKLAMA KABLOLARININ İZİN VERİLEN SİMETRİK KISA DEVRE AKIM GEÇİŞLERİ

Topraklama kabloları PVC izoleli

Topraklama şeritlerinin izin verilen simetrik kısa devre akımı
 Kısa devre süresine bağlı olarak (PE iletkenler) Cu (PVC yalıtımlı);
 0.04 s; 0.2 s; 0.5 s; 1 s; ve 5 s.

Topraklama Kabloları, PVC İzoleli

Cihaz koruma bekleme süresi	Topraklama iletken kesiti (PVC İzolasyonlu)					
	4 mm ² (Cu)	6 mm ² (Cu)	10 mm ² (Cu)	16 mm ² (Cu)	25 mm ² (Cu)	35 mm ² (Cu)
0,04 s	2,86 kA	4,29 kA	7,15 kA	11,44 kA	17,88 kA	25,03 kA
0,20 s	1,28 kA	1,92 kA	3,20 kA	5,12 kA	7,99 kA	11,19 kA
0,50 s	0,81 kA	1,21 kA	2,02 kA	3,24 kA	5,06 kA	7,08 kA
1,00 s	0,57 kA	0,86 kA	1,43 kA	2,29 kA	3,58 kA	5,01 kA
5,00 s	0,26 kA	0,38 kA	0,64 kA	1,02 kA	1,60 kA	2,24 kA

Hesaplama temeli EN 61439-1, ek B

$$Sp = \frac{\sqrt{I^2 \cdot t}}{k} \quad I = Sp \cdot k \cdot \sqrt{1/t}$$

I = Amper cinsinden izin verilen simetrik kısa devre akımı

SP = İletken kesiti 4, 6, 10, 16, 25, 35 mm²

t = Bekleme zamanı (saniye cinsinden) 0,04; 0,2; 0,5; 1; 5 s

k = Malzeme katsayısı $k = 143 \text{ A} \cdot \sqrt{s/mm^2}$

Topraklama Kabloları, Çıplak İletkenler

Topraklama şeritlerinin izin verilen simetrik kısa devre akımı
 Kısa devre süresine bağlı olarak (PE iletkenler) Cu (Çıplak iletkenler);
 0.04 s; 0.2 s; 0.5 s; 1 s; ve 5 s.

İzin verilen simetrik kısa devre akımları

Cihaz koruma bekleme süresi	Topraklama iletken kesiti (Çıplak)					
	4 mm ² (Cu)	6 mm ² (Cu)	10 mm ² (Cu)	16 mm ² (Cu)	25 mm ² (Cu)	35 mm ² (Cu)
0,04 s	3,52 kA	5,28 kA	8,80 kA	14,08 kA	22,00 kA	30,80 kA
0,20 s	1,57 kA	2,36 kA	3,94 kA	6,30 kA	9,84 kA	13,77 kA
0,50 s	1,00 kA	1,49 kA	2,49 kA	3,98 kA	6,22 kA	8,71 kA
1,00 s	0,70 kA	1,06 kA	1,76 kA	2,82 kA	4,40 kA	6,16 kA
5,00 s	0,31 kA	0,47 kA	0,79 kA	1,26 kA	1,97 kA	2,75 kA

Hesaplama temeli EN 61439-1, ek B

$$Sp = \frac{\sqrt{I^2 \cdot t}}{k} \quad I = Sp \cdot k \cdot \sqrt{1/t}$$

I = Amper cinsinden izin verilen simetrik kısa devre akımı

SP = İletken kesiti 4, 6, 10, 16, 25, 35 mm²

t = Bekleme zamanı (saniye cinsinden) 0,04; 0,2; 0,5; 1; 5 s

k = Malzeme katsayısı $k = 176 \text{ A} \cdot \sqrt{s/mm^2}$



TEKPAN INDUSTRIAL ENCLOSURES & CABINETS

Kemalpasa O.S.B 17.Sk.No:8 Ulucak

Kemalpaşa / Izmir - TURKEY

Phone : +90 232 877 18 77 - 877 13 46 / 47

Fax : +90 232 877 13 48

E-mail : info@tekpan.com.tr

Export Dept. : export@tekpan.com.tr