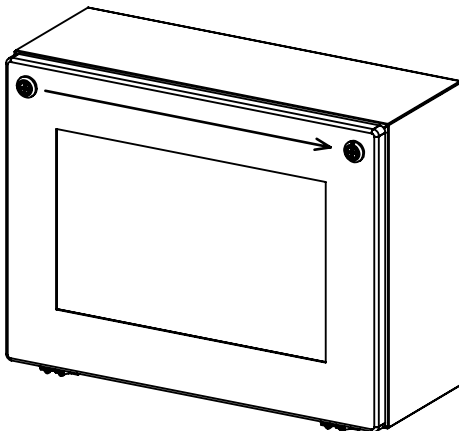
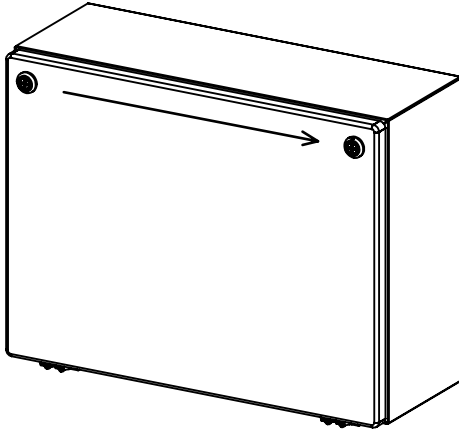
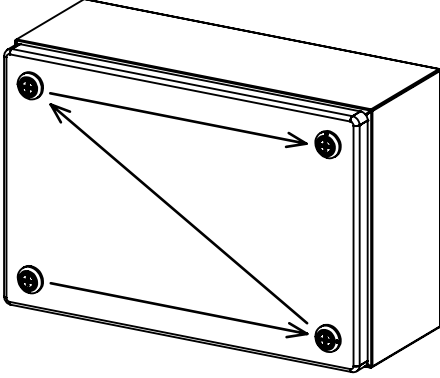


***tekpan***<sup>®</sup>

INDUSTRIAL ENCLOSURES & CABINETS



## **KT SERIES** **KT SERİSİ**

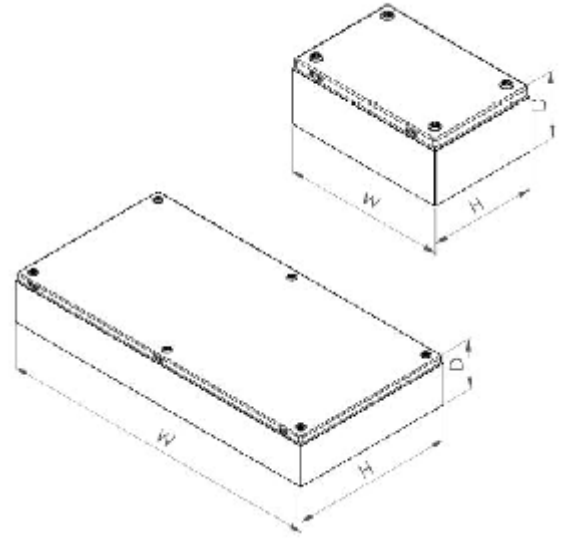
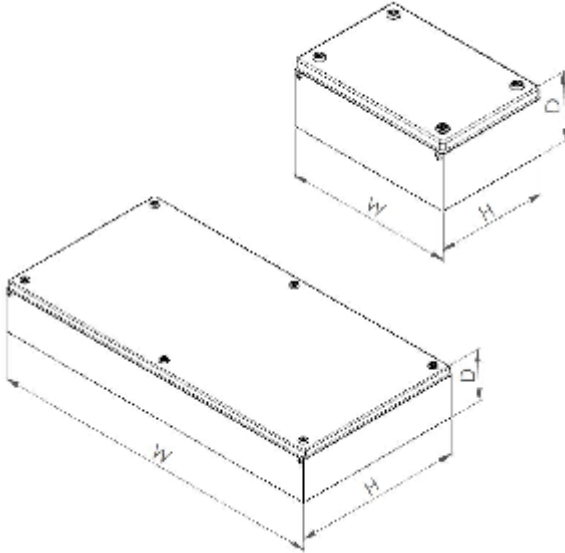


KT 351.180	KT 150 W x 150 H x 80 D
KT 352.180	KT 200 W x 150 H x 80 D
KT 352.280	KT 200 W x 200 H x 80 D
KT 353.180	KT 300 W x 150 H x 80 D
KT 353.280	KT 300 W x 200 H x 80 D
KT 354.280	KT 400 W x 200 H x 80 D
KT 351.112	KT 150 W x 150 H x 120 D
KT 352.112	KT 200 W x 150 H x 120 D
KT 352.212	KT 200 W x 200 H x 120 D
KT 353.112	KT 300 W x 150 H x 120 D
KT 353.212	KT 300 W x 200 H x 120 D
KT 353.312	KT 300 W x 300 H x 120 D
KT 354.112	KT 400 W x 150 H x 120 D
KT 354.212	KT 400 W x 200 H x 120 D
KT 354.312	KT 400 W x 300 H x 120 D
KT 354.412	KT 400 W x 400 H x 120 D
KT 355.212	KT 500 W x 200 H x 120 D
KT 355.312	KT 500 W x 300 H x 120 D
KT 356.212	KT 600 W x 200 H x 120 D
KT 356.312	KT 600 W x 300 H x 120 D
KT 356.412	KT 600 W x 400 H x 120 D
KT 358.212	KT 800 W x 200 H x 120 D
KT 358.412	KT 800 W x 400 H x 120 D
KT 364.215	KT HINGED 400 W x 200 H x 155 D
KT 364.315	KT HINGED 400 W x 300 H x 155 D
KT 366.315	KT HINGED 600 W x 300 H x 155 D
KT 368.315	KT HINGED 800 W x 300 H x 155 D
KT 374.215	KT HINGED GLAZED 400 W x 200 H x 155 D
KT 374.315	KT HINGED GLAZED 400 W x 300 H x 155 D
KT 376.315	KT HINGED GLAZED 600 W x 300 H x 155 D
KT 378.315	KT HINGED GLAZED 800 W x 300 H x 155 D



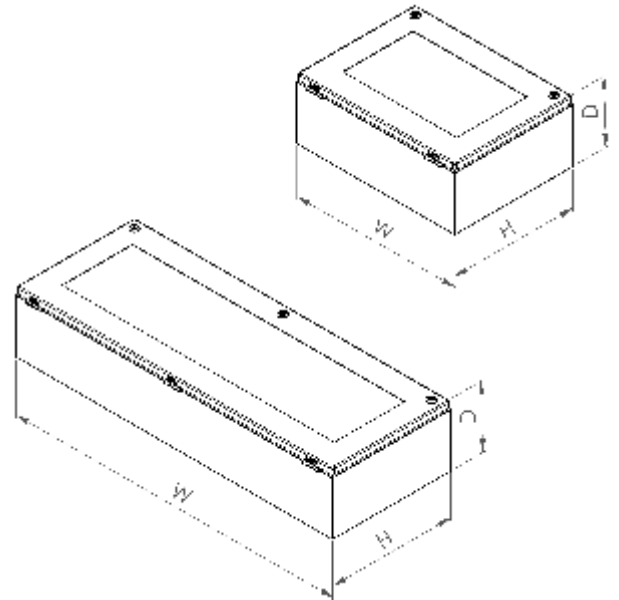
# KT SERIES

## KT SERİSİ



<b>KT 351.180</b>	KT 150 W x 150 H x 80 D
<b>KT 352.180</b>	KT 200 W x 150 H x 80 D
<b>KT 352.280</b>	KT 200 W x 200 H x 80 D
<b>KT 353.180</b>	KT 300 W x 150 H x 80 D
<b>KT 353.280</b>	KT 300 W x 200 H x 80 D
<b>KT 354.280</b>	KT 400 W x 200 H x 80 D
<b>KT 351.112</b>	KT 150 W x 150 H x 120 D
<b>KT 352.112</b>	KT 200 W x 150 H x 120 D
<b>KT 352.212</b>	KT 200 W x 200 H x 120 D
<b>KT 353.112</b>	KT 300 W x 150 H x 120 D
<b>KT 353.212</b>	KT 300 W x 200 H x 120 D
<b>KT 353.312</b>	KT 300 W x 300 H x 120 D
<b>KT 354.112</b>	KT 400 W x 150 H x 120 D
<b>KT 354.212</b>	KT 400 W x 200 H x 120 D
<b>KT 354.312</b>	KT 400 W x 300 H x 120 D
<b>KT 354.412</b>	KT 400 W x 400 H x 120 D
<b>KT 355.212</b>	KT 500 W x 200 H x 120 D
<b>KT 355.312</b>	KT 500 W x 300 H x 120 D
<b>KT 356.212</b>	KT 600 W x 200 H x 120 D
<b>KT 356.312</b>	KT 600 W x 300 H x 120 D
<b>KT 356.412</b>	KT 600 W x 400 H x 120 D
<b>KT 358.212</b>	KT 800 W x 200 H x 120 D

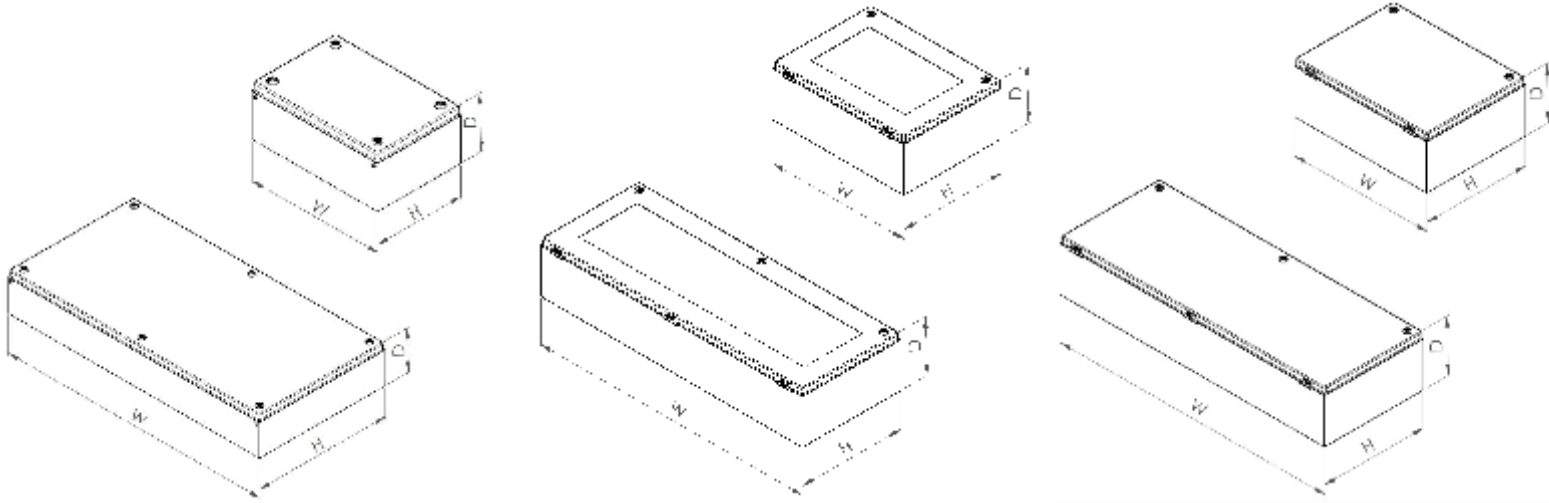
<b>KT 364.215</b>	KT HINGED 400 W x 200 H x 155 D
<b>KT 364.315</b>	KT HINGED 400 W x 300 H x 155 D
<b>KT 366.315</b>	KT HINGED 600 W x 300 H x 155 D
<b>KT 368.315</b>	KT HINGED 800 W x 300 H x 155 D



<b>KT 374.215</b>	KT HINGED GLAZED 400 W x 200 H x 155 D
<b>KT 374.315</b>	KT HINGED GLAZED 400 W x 300 H x 155 D
<b>KT 376.315</b>	KT HINGED GLAZED 600 W x 300 H x 155 D
<b>KT 378.315</b>	KT HINGED GLAZED 800 W x 300 H x 155 D

# KT SERIES

## KT SERİSİ

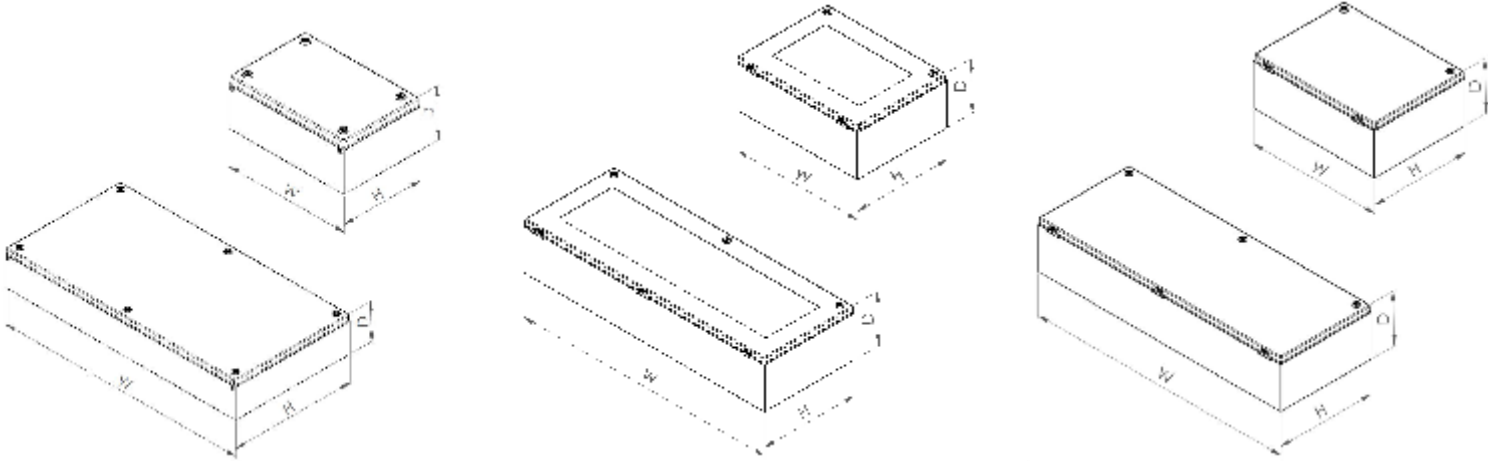


KT SERIES															
ITEM	Ref.No:	PRODUCT INFORMATION													
		ENCLOSURE DIMENSIONS W x H x D (mm)			SHEET THICKNESS(mm)				MOUNTING PLATE DIMENSIONS W x H (mm)		MOUNTING PLATE	DOOR			
		*WIDTH (mm)	*HEIGHT (mm)	*DEPTH (mm)	BODY (mm)	COVER (mm)	MEDIUM SUPPORT PROFILE (mm)	MOUNTING PLATE (mm)	WIDTH (mm)	HEIGHT	INC.-W/O	LOCK	LOCK PIECE	HINGE	COVER TYPE
1	KT 351.180	150	150	80	1,2	1,2	1,2	2	135	125	W/O	MINI CAM LOCK	4	W/O	SOLID
2	KT 352.180	200	150	80	1,2	1,2	1,2	2	185	125	W/O	MINI CAM LOCK	4	W/O	SOLID
3	KT 352.280	200	200	80	1,2	1,2	1,2	2	185	175	W/O	MINI CAM LOCK	4	W/O	SOLID
4	KT 353.180	300	150	80	1,2	1,2	1,2	2	285	125	W/O	MINI CAM LOCK	4	W/O	SOLID
5	KT 353.280	300	200	80	1,2	1,2	1,2	2	285	175	W/O	MINI CAM LOCK	4	W/O	SOLID
6	KT 354.280	400	200	80	1,2	1,2	1,2	2	385	175	W/O	MINI CAM LOCK	4	W/O	SOLID
7	KT 351.112	150	150	120	1,2	1,2	1,2	2	135	125	W/O	MINI CAM LOCK	4	W/O	SOLID
8	KT 352.112	200	150	120	1,2	1,2	1,2	2	185	125	W/O	MINI CAM LOCK	4	W/O	SOLID
9	KT 352.212	200	200	120	1,2	1,2	1,2	2	185	175	W/O	MINI CAM LOCK	4	W/O	SOLID
10	KT 353.112	300	150	120	1,2	1,2	1,2	2	285	125	W/O	MINI CAM LOCK	4	W/O	SOLID
11	KT 353.212	300	200	120	1,2	1,2	1,2	2	285	175	W/O	MINI CAM LOCK	4	W/O	SOLID
12	KT 353.312	300	300	120	1,2	1,2	1,2	2	285	275	W/O	MINI CAM LOCK	4	W/O	SOLID
13	KT 354.112	400	150	120	1,2	1,2	1,2	2	385	125	W/O	MINI CAM LOCK	4	W/O	SOLID
14	KT 354.212	400	200	120	1,2	1,2	1,2	2	385	175	W/O	MINI CAM LOCK	4	W/O	SOLID
15	KT 354.312	400	300	120	1,2	1,2	1,2	2	385	275	W/O	MINI CAM LOCK	4	W/O	SOLID
16	KT 354.412	400	400	120	1,2	1,2	1,2	2	385	375	W/O	MINI CAM LOCK	4	W/O	SOLID
17	KT 355.212	500	200	120	1,2	1,2	1,2	2	485	175	W/O	MINI CAM LOCK	4	W/O	SOLID
18	KT 355.312	500	300	120	1,2	1,2	1,2	2	485	275	W/O	MINI CAM LOCK	4	W/O	SOLID
19	KT 356.212	600	200	120	1,2	1,2	1,2	2	585	175	W/O	MINI CAM LOCK	4	W/O	SOLID
20	KT 356.312	600	300	120	1,2	1,2	1,2	2	585	275	W/O	MINI CAM LOCK	6	W/O	SOLID
21	KT 356.412	600	400	120	1,2	1,2	1,2	2	585	375	W/O	MINI CAM LOCK	6	W/O	SOLID
22	KT 358.212	800	200	120	1,2	1,2	1,2	2	785	175	W/O	MINI CAM LOCK	6	W/O	SOLID
23	KT 358.412	800	400	120	1,2	1,2	1,2	2	785	375	W/O	MINI CAM LOCK	6	W/O	SOLID
24	KT 364.215	400	200	155	1,2	1,2	1,2	2	385	175	W/O	MINI CAM LOCK	2	2	SOLID
25	KT 364.315	400	300	155	1,2	1,2	1,2	2	385	275	W/O	MINI CAM LOCK	2	2	SOLID
26	KT 366.315	600	300	155	1,2	1,2	1,2	2	585	275	W/O	MINI CAM LOCK	3	2	SOLID
27	KT 368.315	800	300	155	1,2	1,2	1,2	2	785	275	W/O	MINI CAM LOCK	3	3	SOLID
28	KT 374.215	400	200	155	1,2	1,2	1,2	2	385	175	W/O	MINI CAM LOCK	2	2	GLAZED
29	KT 374.315	400	300	155	1,2	1,2	1,2	2	385	275	W/O	MINI CAM LOCK	2	2	GLAZED
30	KT 376.315	600	300	155	1,2	1,2	1,2	2	585	275	W/O	MINI CAM LOCK	3	2	GLAZED
31	KT 378.315	800	300	155	1,2	1,2	1,2	2	785	275	W/O	MINI CAM LOCK	3	3	GLAZED

<b>Material</b>	Main Body, Cover 1,2mm Mild Steel Mounting Plate 2mm Galvanized
<b>Surface Finishing</b>	Iron-phosphate + electrostatic powder coating RAL 7035
<b>IK 08</b>	Cover
<b>IP Class</b>	IEC ve EN 60529 IP 66
<b>NEMA Class</b>	Nema 4
<b>Standarts</b>	IEC 62208 (Enclosure Standarts)
<b>Corrosion Class</b>	C3 according to TS EN ISO 12944-2
<b>Guarantee</b>	KYT-72

# KT SERIES

## KT SERİSİ



KT SERIES								
ITEM	Ref.No:	ENCLOSURE DIMENSIONS W x H x D (mm)			ACCESSORIES			
		*WIDTH (mm)	*HEIGHT (mm)	*DEPTH (mm)	**MOUNTING PLATE	***WALL BRACKET	****KT CLOSED LOCK	*****KT- DM SMALL HINGE
1	KT 351.180	150	150	80	943.111	971.300	971.400	971.500
2	KT 352.180	200	150	80	943.121	971.300	971.400	971.500
3	KT 352.280	200	200	80	943.122	971.300	971.400	971.500
4	KT 353.180	300	150	80	943.131	971.300	971.400	971.500
5	KT 353.280	300	200	80	943.132	971.300	971.400	971.500
6	KT 354.280	400	200	80	943.142	971.300	971.400	971.500
7	KT 351.112	150	150	120	943.111	971.300	971.400	971.500
8	KT 352.112	200	150	120	943.121	971.300	971.400	971.500
9	KT 352.212	200	200	120	943.122	971.300	971.400	971.500
10	KT 353.112	300	150	120	943.131	971.300	971.400	971.500
11	KT 353.212	300	200	120	943.132	971.300	971.400	971.500
12	KT 353.312	300	300	120	943.133	971.300	971.400	971.500
13	KT 354.112	400	150	120	943.141	971.300	971.400	971.500
14	KT 354.212	400	200	120	943.142	971.300	971.400	971.500
15	KT 354.312	400	300	120	943.143	971.300	971.400	971.500
16	KT 354.412	400	400	120	943.144	971.300	971.400	971.500
17	KT 355.212	500	200	120	943.152	971.300	971.400	971.500
18	KT 355.312	500	300	120	943.153	971.300	971.400	971.500
19	KT 356.212	600	200	120	943.162	971.300	971.400	971.500
20	KT 356.312	600	300	120	943.163	971.300	971.400	971.500
21	KT 356.412	600	400	120	943.164	971.300	971.400	971.500
22	KT 358.212	800	200	120	943.182	971.300	971.400	971.500
23	KT 358.412	800	400	120	943.184	971.300	971.400	971.500
24	KT 364.215	400	200	155	943.142	971.300	971.400	971.500
25	KT 364.315	400	300	155	943.143	971.300	971.400	971.500
26	KT 366.315	600	300	155	943.163	971.300	971.400	971.500
27	KT 368.315	800	300	155	943.183	971.300	971.400	971.500
28	KT 374.215	400	200	155	943.142	971.300	971.400	971.500
29	KT 374.315	400	300	155	943.143	971.300	971.400	971.500
30	KT 376.315	600	300	155	943.163	971.300	971.400	971.500
31	KT 378.315	800	300	155	943.183	971.300	971.400	971.500

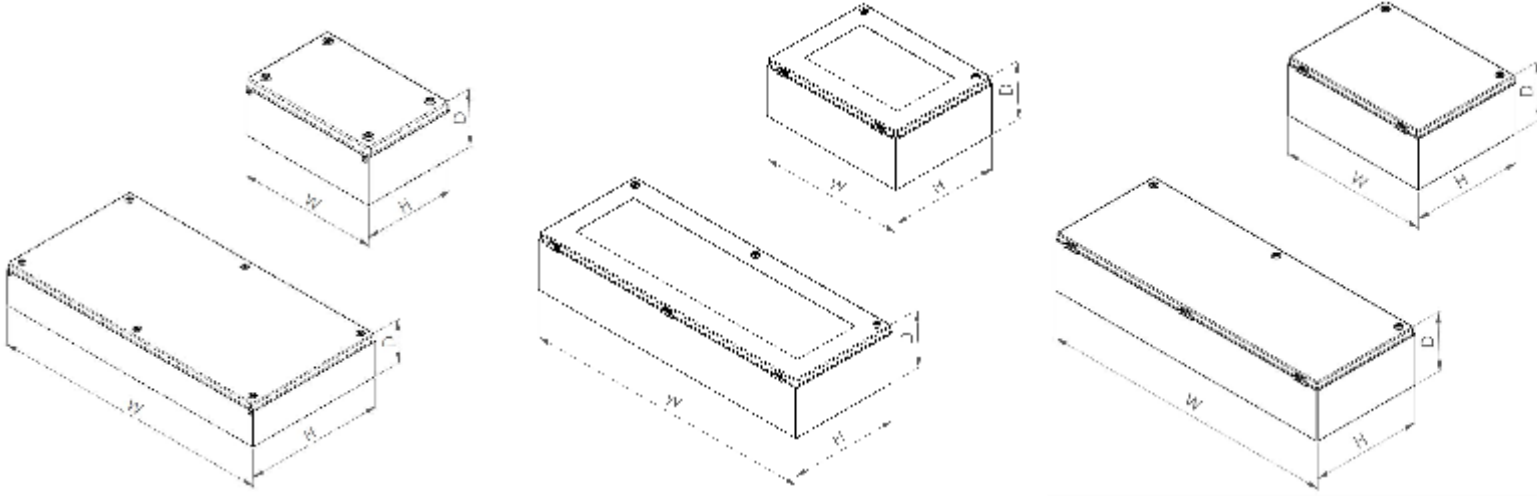
### INFORMATION

- \* Please check the electronic copies (2D drawing) for the original dimensions.
- \*\* The option is a product, the package content comes as 1 Mounting plate and bolt pack.
- \*\*\* One panel must be ordered per panel, there are 4 wall brackets, sealing gaskets and connection equipment in the package.
- \*\*\*\* Package content is 1 piece and will be used instead of the locks at the bottom when the KT panel is desired to be turned into a hinged. It is necessary to order 2 pieces up to 500 width and 3 pieces for panels over 600 width.
- \*\*\*\*\* Package content is 1 piece, if the KT panel is to be used as hinged, it is necessary to order 2 pieces up to 500 width and 3 pieces for panels over 600 width.



# KT SERIES

## KT SERİSİ



### KT SERİSİ

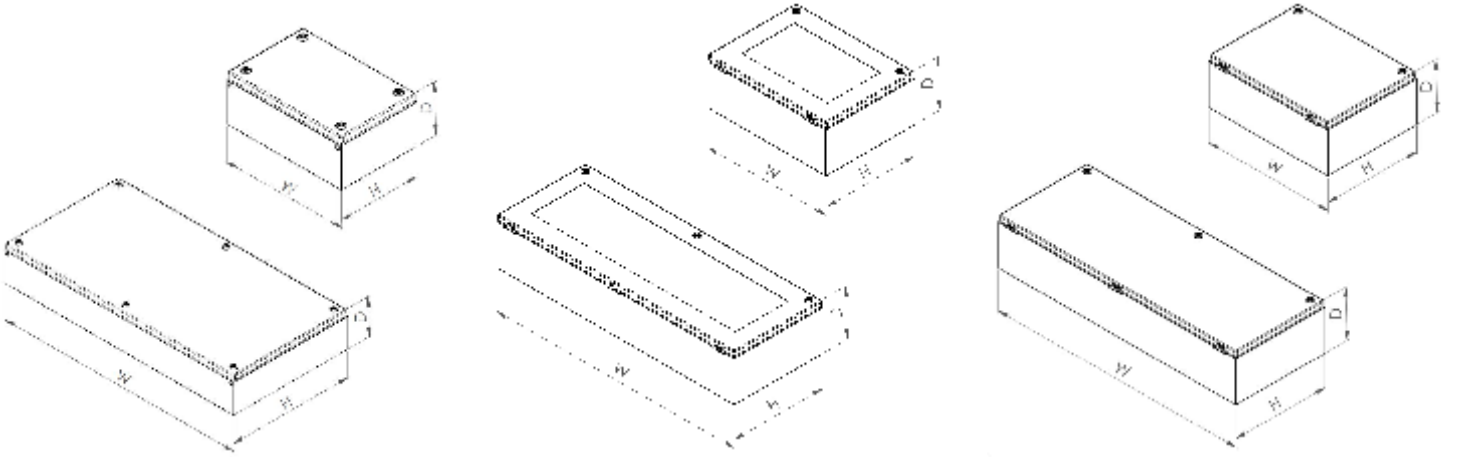
#### ÜRÜN BİLGİSİ

SIRA	Ref.No:	ÜRÜN BİLGİSİ													
		PANO ÖLÇÜLERİ W x H x D (mm)			SAC KALINLIKLARI(mm)				MONTAJ PLAKASI ÖLÇÜLERİ G x Y (mm)		MONTAJ PLAKASI	KAPAK			
		*GENİŞLİK (mm)	*YÜKSEKLİK (mm)	*DERİNLİK (mm)	GÖVDE (mm)	KAPAK (mm)	ORTA DESTEK PROFİLİ (mm)	MONTAJ PLAKASI (mm)	GENİŞLİK (mm)	YÜKSEKLİK (mm)	MON. PL. VAR/ YOK	KİLİT	KİLİT ADEDİ	MENTEŞE	KAPAK TİPİ
1	KT 351.180	150	150	80	1,2	1,2	1,2	2	135	125	YOK	ÇEYREK DÖNÜŞLÜ MİNİ KİLİT	4	YOK	DÜZ
2	KT 352.180	200	150	80	1,2	1,2	1,2	2	185	125	YOK	ÇEYREK DÖNÜŞLÜ MİNİ KİLİT	4	YOK	DÜZ
3	KT 352.280	200	200	80	1,2	1,2	1,2	2	185	175	YOK	ÇEYREK DÖNÜŞLÜ MİNİ KİLİT	4	YOK	DÜZ
4	KT 353.180	300	150	80	1,2	1,2	1,2	2	285	125	YOK	ÇEYREK DÖNÜŞLÜ MİNİ KİLİT	4	YOK	DÜZ
5	KT 353.280	300	200	80	1,2	1,2	1,2	2	285	175	YOK	ÇEYREK DÖNÜŞLÜ MİNİ KİLİT	4	YOK	DÜZ
6	KT 354.280	400	200	80	1,2	1,2	1,2	2	385	175	YOK	ÇEYREK DÖNÜŞLÜ MİNİ KİLİT	4	YOK	DÜZ
7	KT 351.112	150	150	120	1,2	1,2	1,2	2	135	125	YOK	ÇEYREK DÖNÜŞLÜ MİNİ KİLİT	4	YOK	DÜZ
8	KT 352.112	200	150	120	1,2	1,2	1,2	2	185	125	YOK	ÇEYREK DÖNÜŞLÜ MİNİ KİLİT	4	YOK	DÜZ
9	KT 352.212	200	200	120	1,2	1,2	1,2	2	185	175	YOK	ÇEYREK DÖNÜŞLÜ MİNİ KİLİT	4	YOK	DÜZ
10	KT 353.112	300	150	120	1,2	1,2	1,2	2	285	125	YOK	ÇEYREK DÖNÜŞLÜ MİNİ KİLİT	4	YOK	DÜZ
11	KT 353.212	300	200	120	1,2	1,2	1,2	2	285	175	YOK	ÇEYREK DÖNÜŞLÜ MİNİ KİLİT	4	YOK	DÜZ
12	KT 353.312	300	300	120	1,2	1,2	1,2	2	285	275	YOK	ÇEYREK DÖNÜŞLÜ MİNİ KİLİT	4	YOK	DÜZ
13	KT 354.112	400	150	120	1,2	1,2	1,2	2	385	125	YOK	ÇEYREK DÖNÜŞLÜ MİNİ KİLİT	4	YOK	DÜZ
14	KT 354.212	400	200	120	1,2	1,2	1,2	2	385	175	YOK	ÇEYREK DÖNÜŞLÜ MİNİ KİLİT	4	YOK	DÜZ
15	KT 354.312	400	300	120	1,2	1,2	1,2	2	385	275	YOK	ÇEYREK DÖNÜŞLÜ MİNİ KİLİT	4	YOK	DÜZ
16	KT 354.412	400	400	120	1,2	1,2	1,2	2	385	375	YOK	ÇEYREK DÖNÜŞLÜ MİNİ KİLİT	4	YOK	DÜZ
17	KT 355.212	500	200	120	1,2	1,2	1,2	2	485	175	YOK	ÇEYREK DÖNÜŞLÜ MİNİ KİLİT	4	YOK	DÜZ
18	KT 355.312	500	300	120	1,2	1,2	1,2	2	485	275	YOK	ÇEYREK DÖNÜŞLÜ MİNİ KİLİT	4	YOK	DÜZ
19	KT 356.212	600	200	120	1,2	1,2	1,2	2	585	175	YOK	ÇEYREK DÖNÜŞLÜ MİNİ KİLİT	4	YOK	DÜZ
20	KT 356.312	600	300	120	1,2	1,2	1,2	2	585	275	YOK	ÇEYREK DÖNÜŞLÜ MİNİ KİLİT	6	YOK	DÜZ
21	KT 356.412	600	400	120	1,2	1,2	1,2	2	585	375	YOK	ÇEYREK DÖNÜŞLÜ MİNİ KİLİT	6	YOK	DÜZ
22	KT 358.212	800	200	120	1,2	1,2	1,2	2	785	175	YOK	ÇEYREK DÖNÜŞLÜ MİNİ KİLİT	6	YOK	DÜZ
23	KT 358.412	800	400	120	1,2	1,2	1,2	2	785	375	YOK	ÇEYREK DÖNÜŞLÜ MİNİ KİLİT	6	YOK	DÜZ
24	KT 364.215	400	200	155	1,2	1,2	1,2	2	385	175	YOK	ÇEYREK DÖNÜŞLÜ MİNİ KİLİT	2	2	DÜZ
25	KT 364.315	400	300	155	1,2	1,2	1,2	2	385	275	YOK	ÇEYREK DÖNÜŞLÜ MİNİ KİLİT	2	2	DÜZ
26	KT 366.315	600	300	155	1,2	1,2	1,2	2	585	275	YOK	ÇEYREK DÖNÜŞLÜ MİNİ KİLİT	3	2	DÜZ
27	KT 368.315	800	300	155	1,2	1,2	1,2	2	785	275	YOK	ÇEYREK DÖNÜŞLÜ MİNİ KİLİT	3	3	DÜZ
28	KT 374.215	400	200	155	1,2	1,2	1,2	2	385	175	YOK	ÇEYREK DÖNÜŞLÜ MİNİ KİLİT	2	2	CAMLI
29	KT 374.315	400	300	155	1,2	1,2	1,2	2	385	275	YOK	ÇEYREK DÖNÜŞLÜ MİNİ KİLİT	2	2	CAMLI
30	KT 376.315	600	300	155	1,2	1,2	1,2	2	585	275	YOK	ÇEYREK DÖNÜŞLÜ MİNİ KİLİT	3	2	CAMLI
31	KT 378.315	800	300	155	1,2	1,2	1,2	2	785	275	YOK	ÇEYREK DÖNÜŞLÜ MİNİ KİLİT	3	3	CAMLI

<b>Malzeme</b>	Ana Gövde, Kapak 1.2mm DKP Sac Montaj Plakası 2mm Galvaniz Sac
<b>Yüzey İşlem</b>	Demir-fosfat + elektrostatik toz boya RAL 7035
<b>IK 08</b>	Kapak
<b>IP Sınıfı</b>	IEC ve EN 60529 IP 66
<b>NEMA Sınıfı</b>	Nema 4
<b>Standartlar</b>	IEC 62208 (Pano Standartları)
<b>Korozyon Sınıfı</b>	TS EN ISO 12944-2'ye göre C3
<b>Garanti</b>	KYT-72

# KT SERIES

## KT SERİSİ



KT SERİSİ								
SIRA	Ref.No:	PANO ÖLÇÜLERİ G x Y x D (mm)			AKSESUARLAR			
		*GENİŞLİK (mm)	*YÜKSEKLİK (mm)	*DERİNLİK (mm)	**MONTAJ PLAKASI	***DUVAR TUTUCU	****KT KAPALI KİLİT	*****KT-DM SMALL MENTEŞE
1	KT 351.180	150	150	80	943.111	971.300	971.400	971.500
2	KT 352.180	200	150	80	943.121	971.300	971.400	971.500
3	KT 352.280	200	200	80	943.122	971.300	971.400	971.500
4	KT 353.180	300	150	80	943.131	971.300	971.400	971.500
5	KT 353.280	300	200	80	943.132	971.300	971.400	971.500
6	KT 354.280	400	200	80	943.142	971.300	971.400	971.500
7	KT 351.112	150	150	120	943.111	971.300	971.400	971.500
8	KT 352.112	200	150	120	943.121	971.300	971.400	971.500
9	KT 352.212	200	200	120	943.122	971.300	971.400	971.500
10	KT 353.112	300	150	120	943.131	971.300	971.400	971.500
11	KT 353.212	300	200	120	943.132	971.300	971.400	971.500
12	KT 353.312	300	300	120	943.133	971.300	971.400	971.500
13	KT 354.112	400	150	120	943.141	971.300	971.400	971.500
14	KT 354.212	400	200	120	943.142	971.300	971.400	971.500
15	KT 354.312	400	300	120	943.143	971.300	971.400	971.500
16	KT 354.412	400	400	120	943.144	971.300	971.400	971.500
17	KT 355.212	500	200	120	943.152	971.300	971.400	971.500
18	KT 355.312	500	300	120	943.153	971.300	971.400	971.500
19	KT 356.212	600	200	120	943.162	971.300	971.400	971.500
20	KT 356.312	600	300	120	943.163	971.300	971.400	971.500
21	KT 356.412	600	400	120	943.164	971.300	971.400	971.500
22	KT 358.212	800	200	120	943.182	971.300	971.400	971.500
23	KT 358.412	800	400	120	943.184	971.300	971.400	971.500
24	KT 364.215	400	200	155	943.142	971.300	971.400	971.500
25	KT 364.315	400	300	155	943.143	971.300	971.400	971.500
26	KT 366.315	600	300	155	943.163	971.300	971.400	971.500
27	KT 368.315	800	300	155	943.183	971.300	971.400	971.500
28	KT 374.215	400	200	155	943.142	971.300	971.400	971.500
29	KT 374.315	400	300	155	943.143	971.300	971.400	971.500
30	KT 376.315	600	300	155	943.163	971.300	971.400	971.500
31	KT 378.315	800	300	155	943.183	971.300	971.400	971.500

### BİLGİ

\* Orjinal boyutlar için lütfen (2D çizim) elektronik kopyalarını kontrol edin.

\*\* Opsiyon üründür, paket içeriği 1 adet Montaj plakası ve civata paketi olarak gelmektedir.

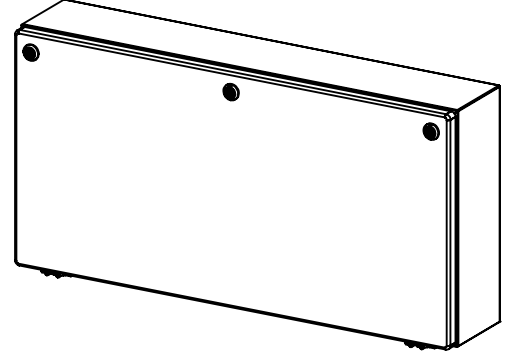
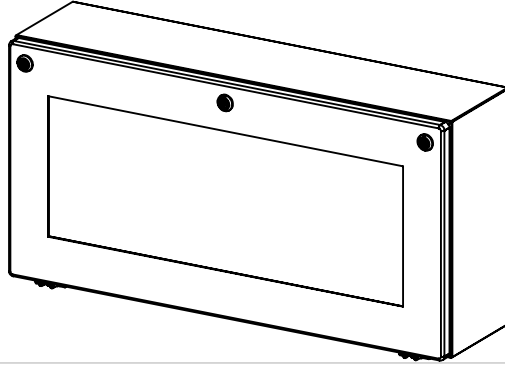
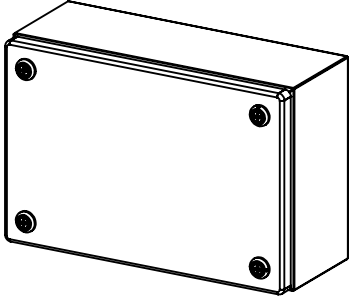
\*\*\* Pano başına 1 adet sipariş edilmelidir, paket içeriğinde 4 adet duvar tutucu kulak, sızdırmazlık contası ve bağlantı ekipmanları mevcuttur.

\*\*\*\* Paket içeriği 1 adet olup KT pano menteşeliye çevirilmek istendiğinde alt kısımdaki kilitlerin yerine kullanılacaktır. 500 Genişliğe kadar 2 adet ve 600 genişlik üzeri panolarda 3 adet sipariş edilmesi gereklidir.









\*\*\*\*\* Paket içeriği 1 adet olup, KT pano menteşeli olarak kullanılmak istenilirse, 500 genişliğe kadar 2 adet ve 600 genişlik üzeri panolarda 3 adet sipariş edilmesi gereklidir.

# KT SERIES

## KT SERİSİ



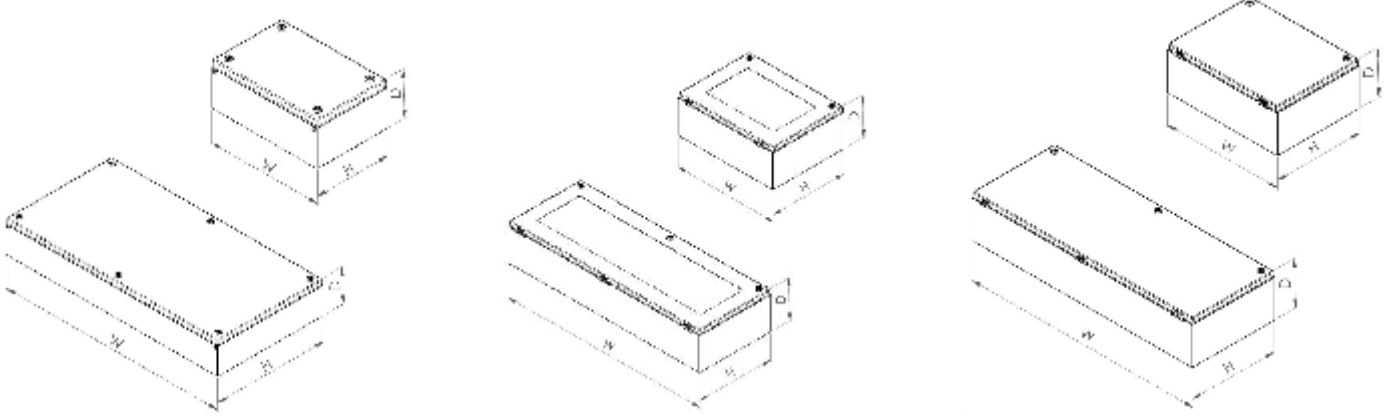
### KT ÜRÜN TABLOSU

Ref.No:	A	B	C	D	E	F	G	H
	Kullanım Kılavuzu User Manuel	M5x10	M5	M6	Etiket Sticker	Ø16x8 Conta Gasket	M8x16	M8
								
KT 351.180	1	2	2	2	2	8	4	4
KT 352.180	1	2	2	2	2	8	4	4
KT 352.280	1	2	2	2	2	8	4	4
KT 353.180	1	2	2	2	2	8	4	4
KT 353.280	1	2	2	2	2	8	4	4
KT 354.280	1	2	2	2	2	8	4	4
KT 351.112	1	2	2	2	2	8	4	4
KT 352.112	1	2	2	2	2	8	4	4
KT 352.212	1	2	2	2	2	8	4	4
KT 353.112	1	2	2	2	2	8	4	4
KT 353.212	1	2	2	2	2	8	4	4
KT 353.312	1	2	2	2	2	8	4	4
KT 354.112	1	2	2	2	2	8	4	4
KT 354.212	1	2	2	2	2	8	4	4
KT 354.312	1	2	2	2	2	8	4	4
KT 354.412	1	2	2	2	2	8	4	4
KT 355.212	1	2	2	2	2	8	4	4
KT 355.312	1	2	2	2	2	8	4	4
KT 356.212	1	2	2	2	2	8	4	4
KT 356.312	1	2	2	2	2	8	4	4
KT 356.412	1	2	2	2	2	8	4	4
KT 358.212	1	2	2	2	2	8	4	4
KT 358.412	1	2	2	2	2	8	4	4
KT 364.215	1	2	2	2	2	8	4	4
KT 364.315	1	2	2	2	2	8	4	4
KT 366.315	1	2	2	2	2	8	4	4
KT 368.315	1	2	2	2	2	8	4	4
KT 374.215	1	2	2	2	2	8	4	4
KT 374.315	1	2	2	2	2	8	4	4
KT 376.315	1	2	2	2	2	8	4	4
KT 378.315	1	2	2	2	2	8	4	4



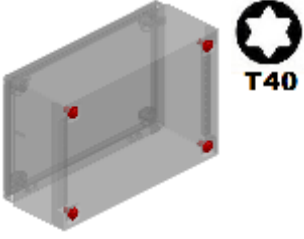
# KT SERIES

## KT SERİSİ











### KT SERİSİ

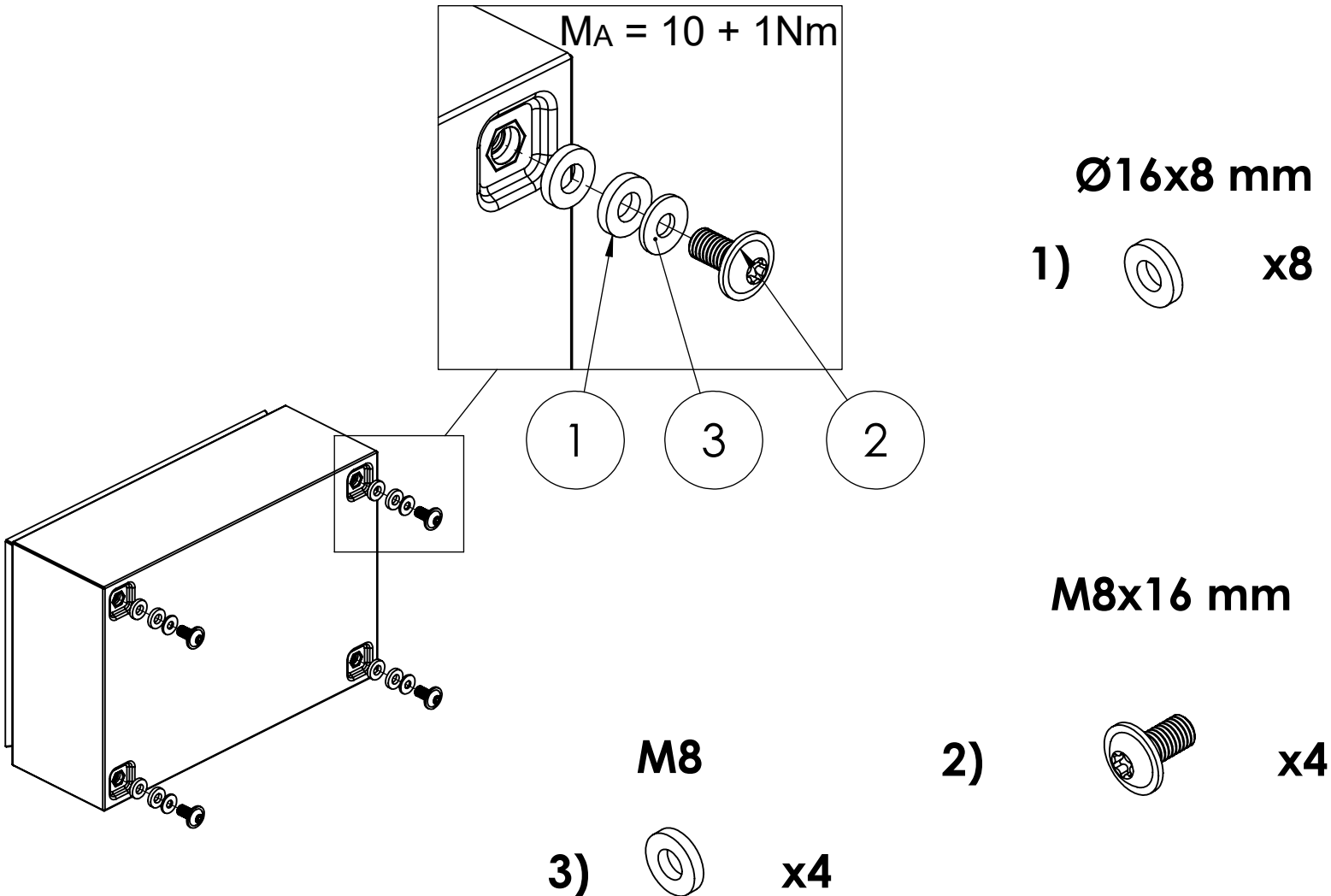
SIRA	Ref.No:	KORUMA DERECEŚİ		SIRA	Ref.No:	HEAT LOSS (W)
		IP	IK			( $\Delta T=20K$ )
						ISI KAYBI
1	KT 351.180	66	10	1	KT 351.180	6,0
2	KT 352.180	66	10	2	KT 352.180	6,8
3	KT 352.280	66	10	3	KT 352.280	8,0
4	KT 353.180	66	10	4	KT 353.180	9,6
5	KT 353.280	66	10	5	KT 353.280	11,2
6	KT 354.280	66	10	6	KT 354.280	13,7
7	KT 351.112	66	10	7	KT 351.112	6,5
8	KT 352.112	66	10	8	KT 352.112	8,4
9	KT 352.212	66	10	9	KT 352.212	9,3
10	KT 353.112	66	10	10	KT 353.112	11,5
11	KT 353.212	66	10	11	KT 353.212	12,7
12	KT 353.312	66	10	12	KT 353.312	16,7
13	KT 354.112	66	10	13	KT 354.112	13,5
14	KT 354.212	66	10	14	KT 354.212	16,5
15	KT 354.312	66	10	15	KT 354.312	20,3
16	KT 354.412	66	10	16	KT 354.412	25,4
17	KT 355.212	66	10	17	KT 355.212	19,8
18	KT 355.312	66	10	18	KT 355.312	25,6
19	KT 356.212	66	10	19	KT 356.212	23,2
20	KT 356.312	66	10	20	KT 356.312	29,5
21	KT 356.412	66	10	21	KT 356.412	35,8
22	KT 358.212	66	10	22	KT 358.212	30,1
23	KT 358.412	66	10	23	KT 358.412	45,6
24	KT 364.215	66	10	24	KT 364.215	21,5
25	KT 364.315	66	10	25	KT 364.315	30,3
26	KT 366.315	66	10	26	KT 366.315	34,4
27	KT 368.315	66	10	27	KT 368.315	36,5
28	KT 374.215	66	10	24	KT 374.215	21,5
29	KT 374.315	66	10	25	KT 374.315	30,3
30	KT 376.315	66	10	26	KT 376.315	34,4
31	KT 378.315	66	10	27	KT 378.315	36,5

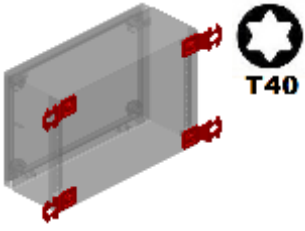


## GASKET AND BOLT ASSEMBLY CONTA VE CIVATA MONTAJ

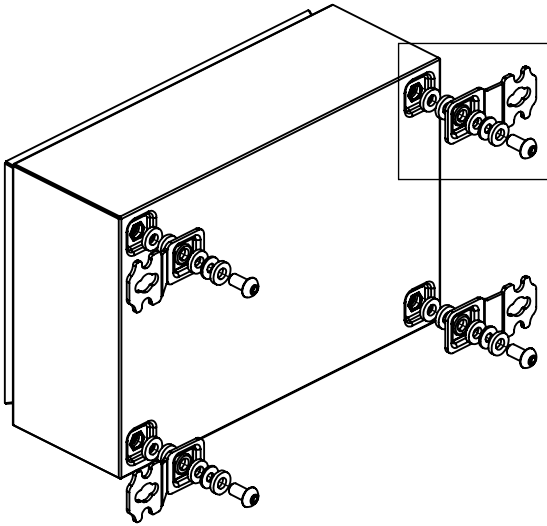
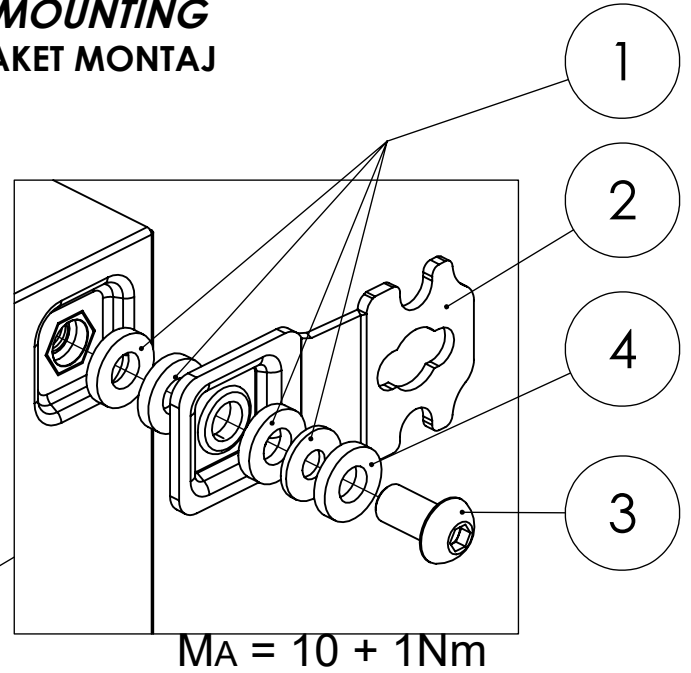
### PACKAGE CONTENT / İÇ PAKET İÇERİĞİ

PCS.			PCS.		
	Ø 16x8 mm	8		M5x10	1
	M8x16	4		M6	1
	TYPE S Ø 5.2	1		Sticker/Etiket	2
	M6	1		M8	4

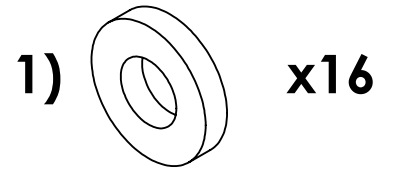




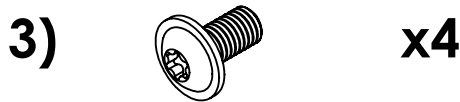
**WALL BRACKET MOUNTING**  
**DUVAR TUTUCU BRACKET MONTAJ**



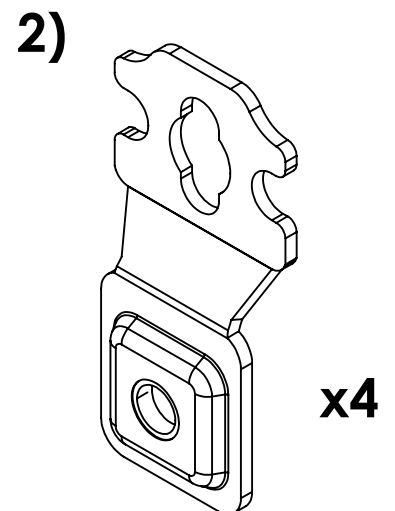
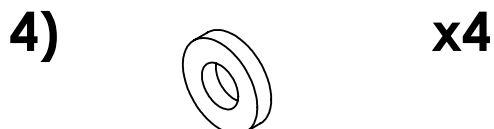
**Ø16x8 mm**



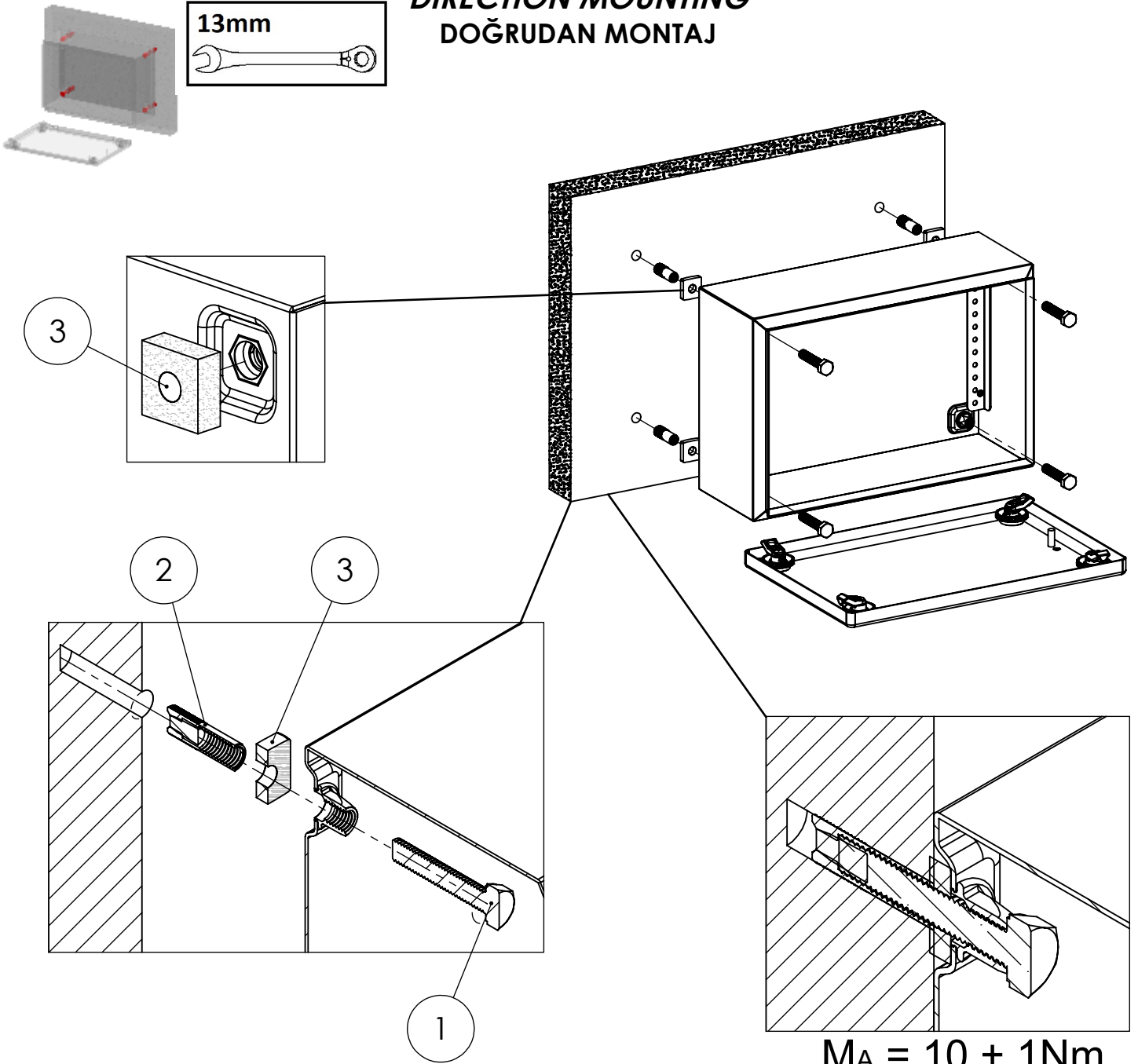
**M8x16 mm**



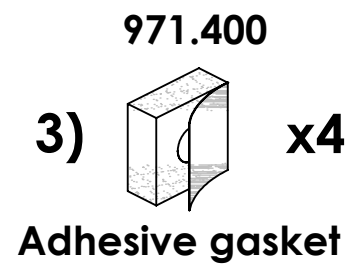
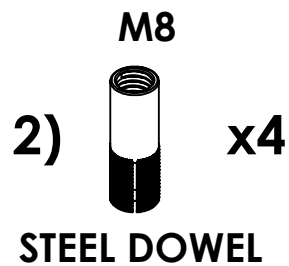
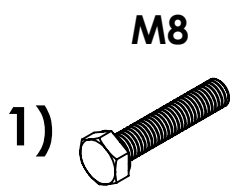
**M8**



**DIRECTION MOUNTING**  
**DOĞRUDAN MONTAJ**

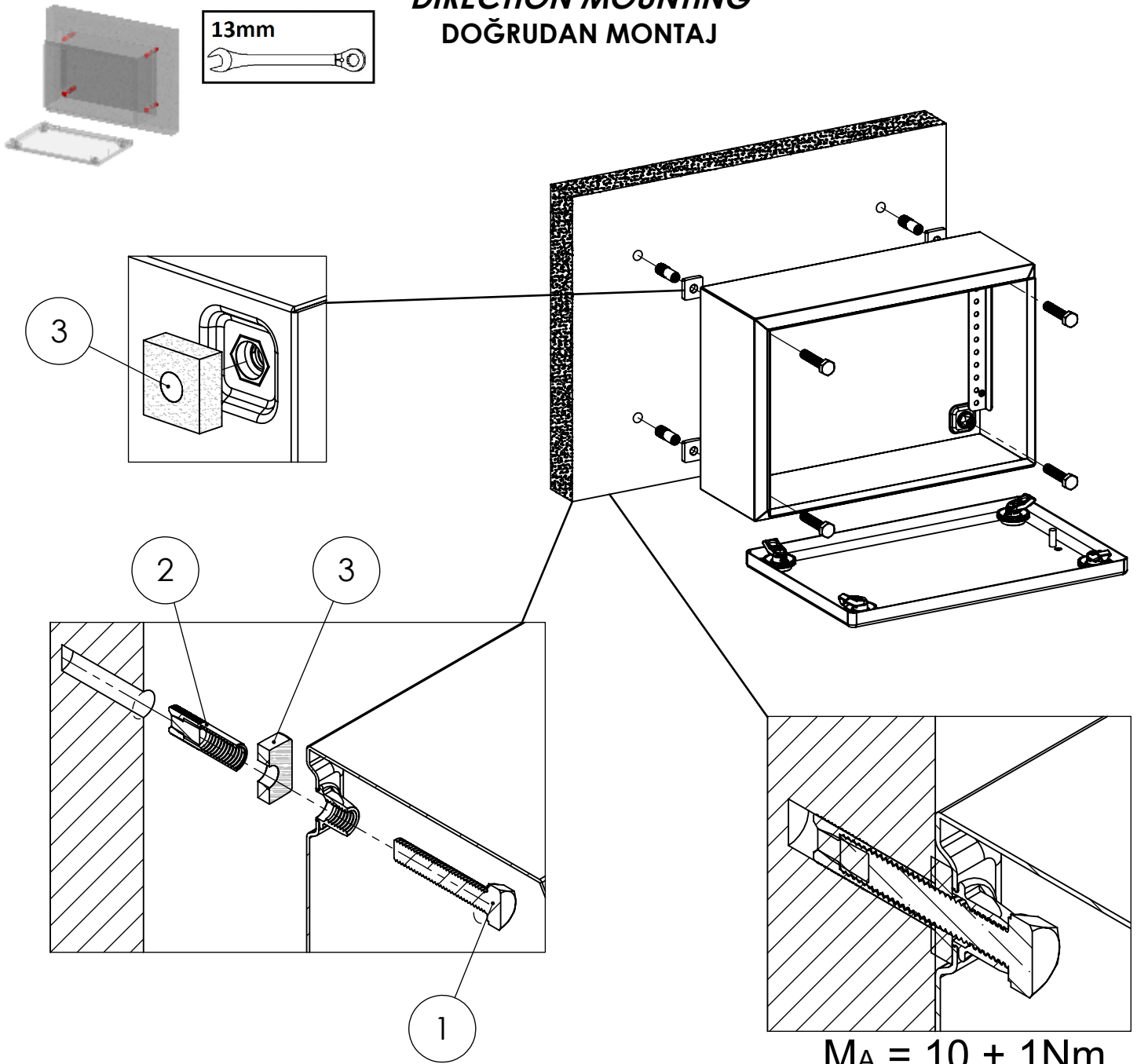


**i** **RECOMMENDED PARTS**

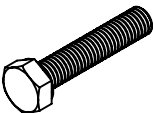

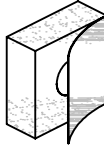


# DIRECTION MOUNTING

## DOĞRUDAN MONTAJ



### **i** RECOMMENDED PARTS

1)	M8	x4	2)	M8	x4	3)	971.400	x4
				STEEL DOWEL			Adhesive gasket	



## PERMISSIBLE SYMMETRICAL SHORT-CIRCUIT CURRENT OF EARTHING STRAPS EARTHING STRAPS, PVC INSULATED

Permissible symmetrical short-circuit current of earthing straps  
(PE conductors) Cu (PVC insulated) in relation to short-circuit duration  
of 0.04 s; 0.2 s; 0.5 s; 1 s; ve 5 s.

### Permissible symmetrical short-circuit current

Break time of protective device	Cross-section of conductor (PVC insulation)					
	4 mm <sup>2</sup> (Cu)	6 mm <sup>2</sup> (Cu)	10 mm <sup>2</sup> (Cu)	16 mm <sup>2</sup> (Cu)	25 mm <sup>2</sup> (Cu)	35 mm <sup>2</sup> (Cu)
0,04 s	2,86 kA	4,29 kA	7,15 kA	11,44 kA	17,88 kA	25,03 kA
0,20 s	1,28 kA	1,92 kA	3,20 kA	5,12 kA	7,99 kA	11,19 kA
0,50 s	0,81 kA	1,21 kA	2,02 kA	3,24 kA	5,06 kA	7,08 kA
1,00 s	0,57 kA	0,86 kA	1,43 kA	2,29 kA	3,58 kA	5,01 kA
5,00 s	0,26 kA	0,38 kA	0,64 kA	1,02 kA	1,60 kA	2,24 kA

Basis of calculation EN 61 439-1, appendix B

$$Sp = \frac{\sqrt{I^2 \cdot t}}{k} \quad I = Sp \cdot k \cdot \sqrt{1/t}$$

I = Permissible symmetrical short-circuit in A

SP = Cross-section of conductor 4, 6, 10, 16, 25, 35 mm<sup>2</sup>

t = Break time 0,04; 0,2; 0,5; 1; 5 s

k = Material coefficient  $k = 143 \text{ A} \cdot \sqrt{s/mm^2}$

## EARTHING STRAPS, BARE CONDUCTORS

Permissible symmetrical short-circuit current of earthing straps  
(PE conductors) Cu (bare conductors) in relation to a short-circuit duration  
of 0.04 s; 0.2 s; 0.5 s; 1 s; ve 5 s.

### Permissible symmetrical short-circuit current

Break time of protective device	Cross-section of PE conductor (bare)					
	4 mm <sup>2</sup> (Cu)	6 mm <sup>2</sup> (Cu)	10 mm <sup>2</sup> (Cu)	16 mm <sup>2</sup> (Cu)	25 mm <sup>2</sup> (Cu)	35 mm <sup>2</sup> (Cu)
0,04 s	3,52 kA	5,28 kA	8,80 kA	14,08 kA	22,00 kA	30,80 kA
0,20 s	1,57 kA	2,36 kA	3,94 kA	6,30 kA	9,84 kA	13,77 kA
0,50 s	1,00 kA	1,49 kA	2,49 kA	3,98 kA	6,22 kA	8,71 kA
1,00 s	0,70 kA	1,06 kA	1,76 kA	2,82 kA	4,40 kA	6,16 kA
5,00 s	0,31 kA	0,47 kA	0,79 kA	1,26 kA	1,97 kA	2,75 kA

Basis of calculation EN 61 439-1, appendix B

$$Sp = \frac{\sqrt{I^2 \cdot t}}{k} \quad I = Sp \cdot k \cdot \sqrt{1/t}$$

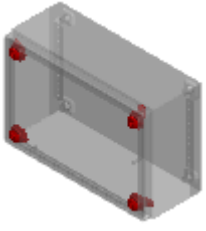
I = Permissible symmetrical short-circuit in A

SP = Cross-section of conductor 4, 6, 10, 16, 25, 35 mm<sup>2</sup>

t = Break time 0,04; 0,2; 0,5; 1; 5 s

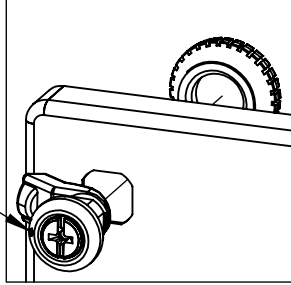
k = Material coefficient  $k = 176 \text{ A} \cdot \sqrt{s/mm^2}$

# LOCK ASSEMBLY KİLİT MONTAJ



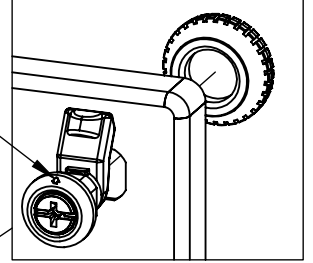
$M_A = 2,5 + 0,5 \text{ Nm}$

Arrow Direction  
Ok Yönü



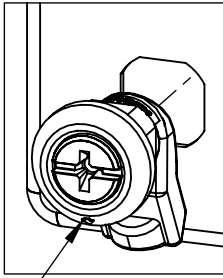
$M_A = 2,5 + 0,5 \text{ Nm}$

Arrow Direction  
Ok Yönü



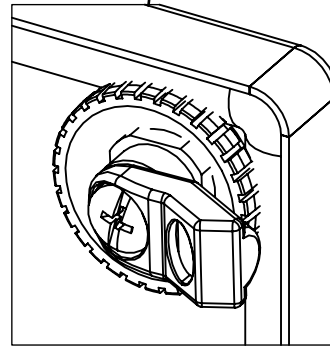
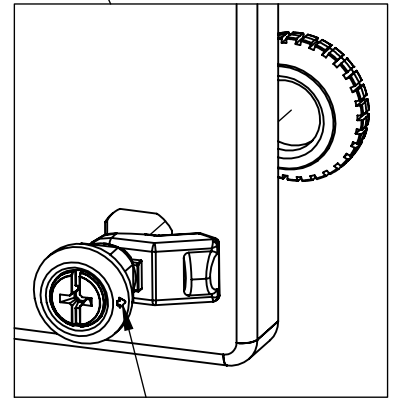
$M_A = 2,5 + 0,5 \text{ Nm}$

Arrow Direction  
Ok Yönü



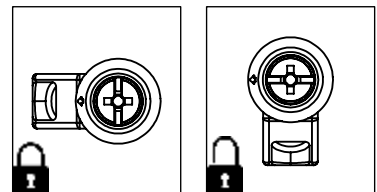
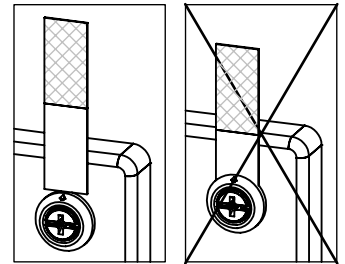
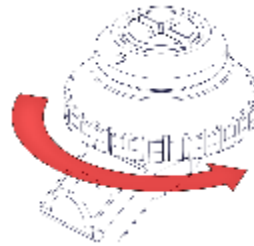
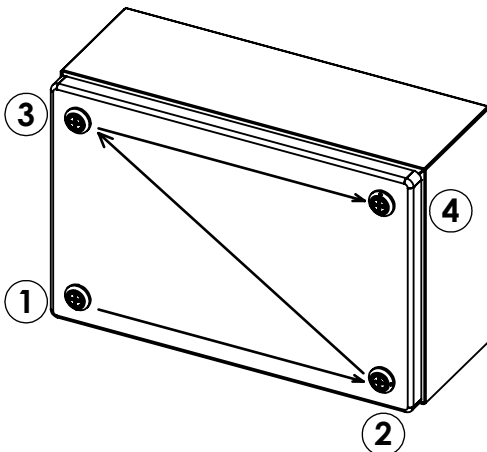
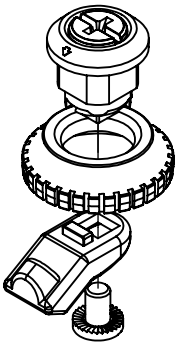
$M_A = 2,5 + 0,5 \text{ Nm}$

Arrow Direction  
Ok Yönü

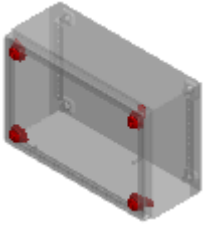


REAR VIEW

1) x4

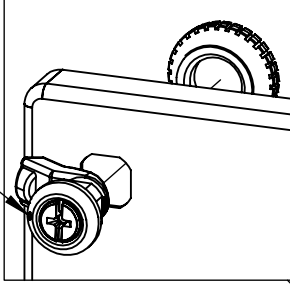


## LOCK ASSEMBLY KİLİT MONTAJ



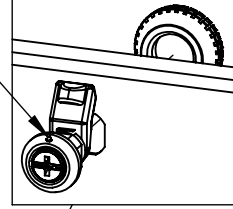
$M_A = 2,5 + 0,5 \text{ Nm}$

Arrow Direction  
Ok Yönü



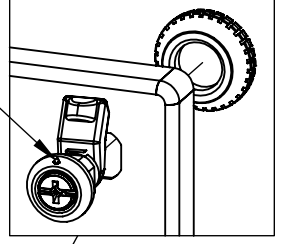
Arrow Direction  
Ok Yönü

$M_A = 2,5 + 0,5 \text{ Nm}$

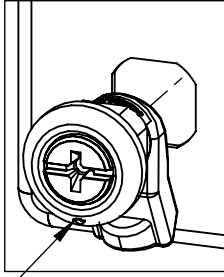


Arrow Direction  
Ok Yönü

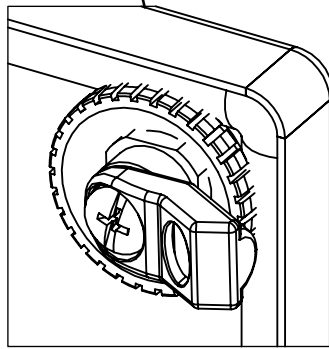
$M_A = 2,5 + 0,5 \text{ Nm}$



$M_A = 2,5 + 0,5 \text{ Nm}$

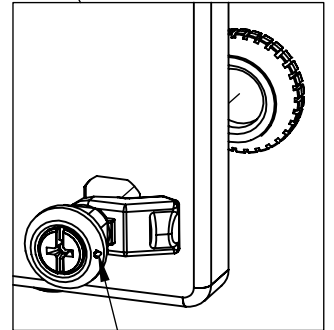


Arrow Direction  
Ok Yönü



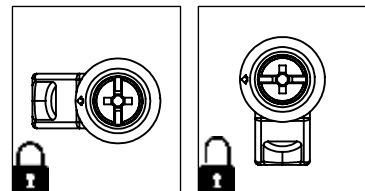
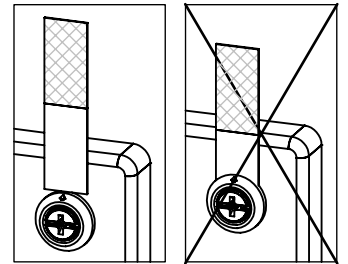
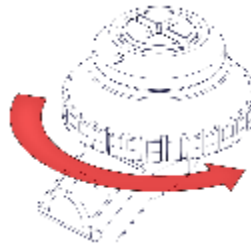
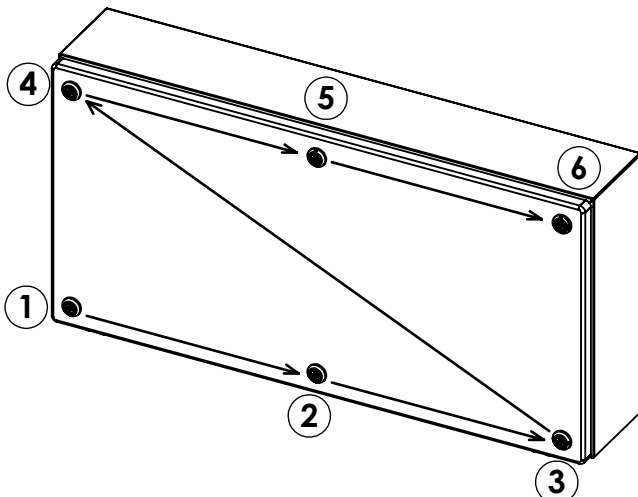
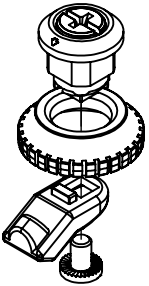
REAR VIEW

$M_A = 2,5 + 0,5 \text{ Nm}$

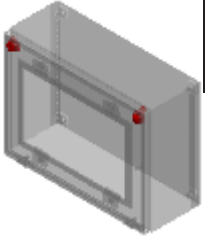


Arrow Direction  
Ok Yönü

1) x6

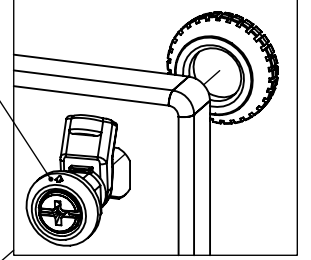


# LOCK ASSEMBLY KİLİT MONTAJ

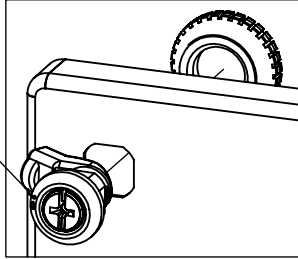


$M_A = 2,5 + 0,5 \text{ Nm}$

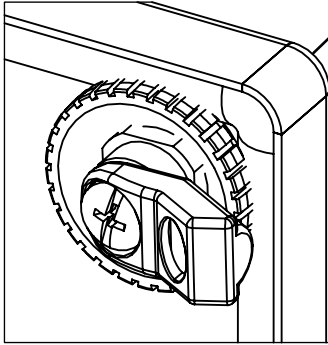
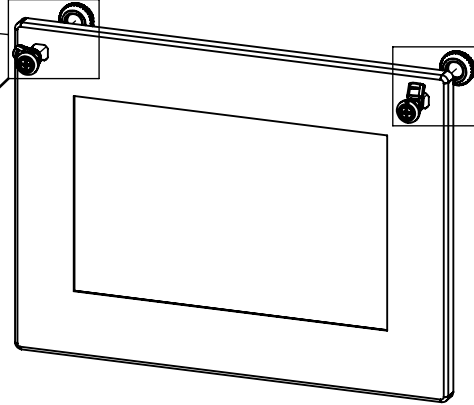
Arrow Direction  
Ok Yönü



$M_A = 2,5 + 0,5 \text{ Nm}$

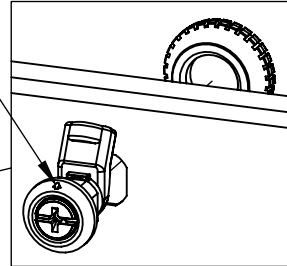


Arrow Direction  
Ok Yönü

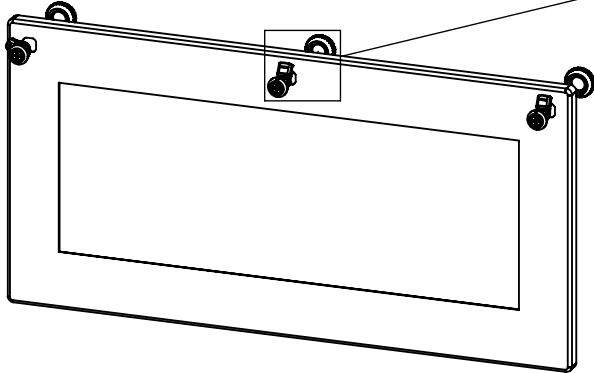


REAR VIEW

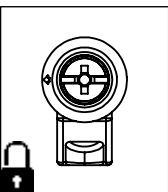
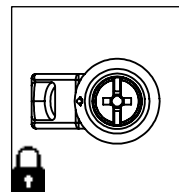
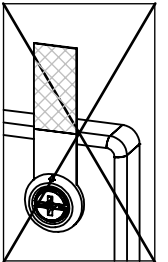
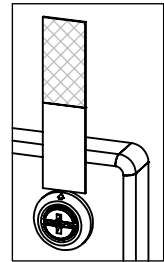
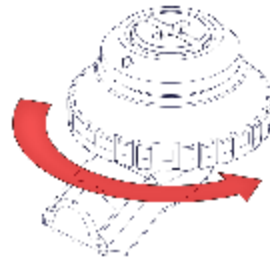
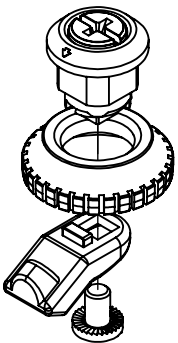
Arrow Direction  
Ok Yönü



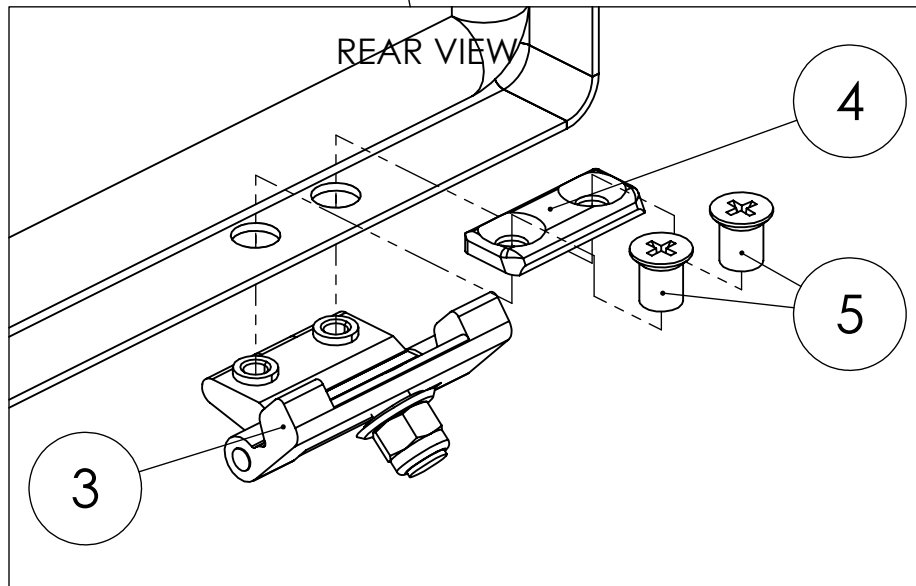
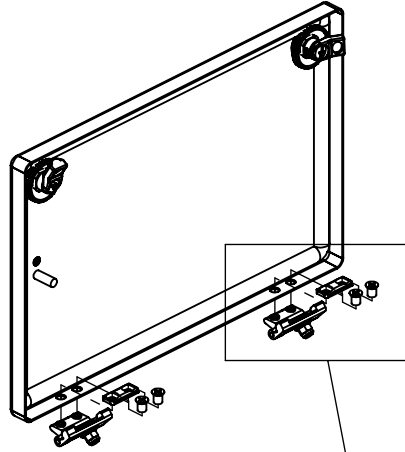
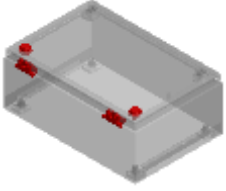
$M_A = 2,5 + 0,5 \text{ Nm}$



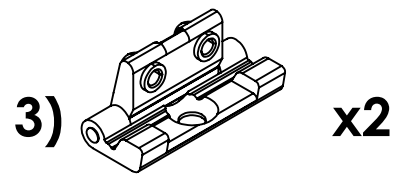
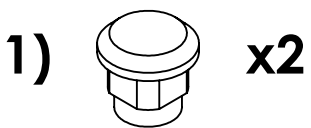
1) **x2 or x3**



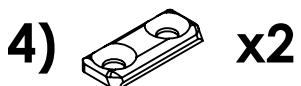
## CLOSED LOCK AND HINGE ASSEMBLY KÖR KİLİT VE MENTEŞE MONTAJ



$M_A = 2,5 + 0,5 \text{ Nm}$

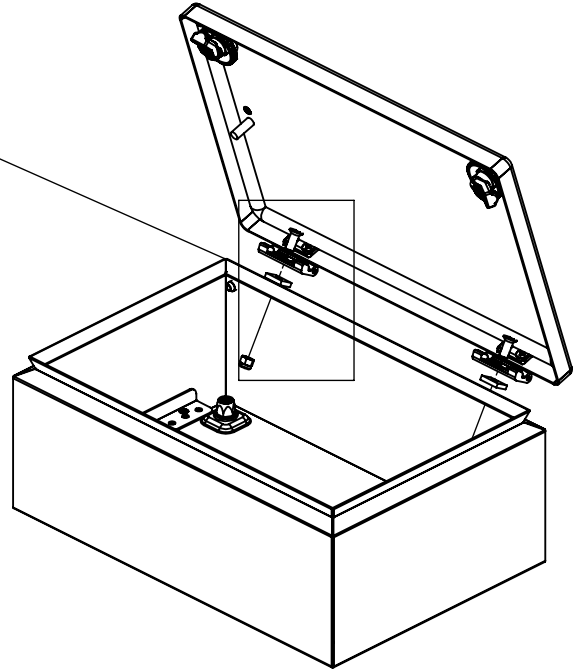
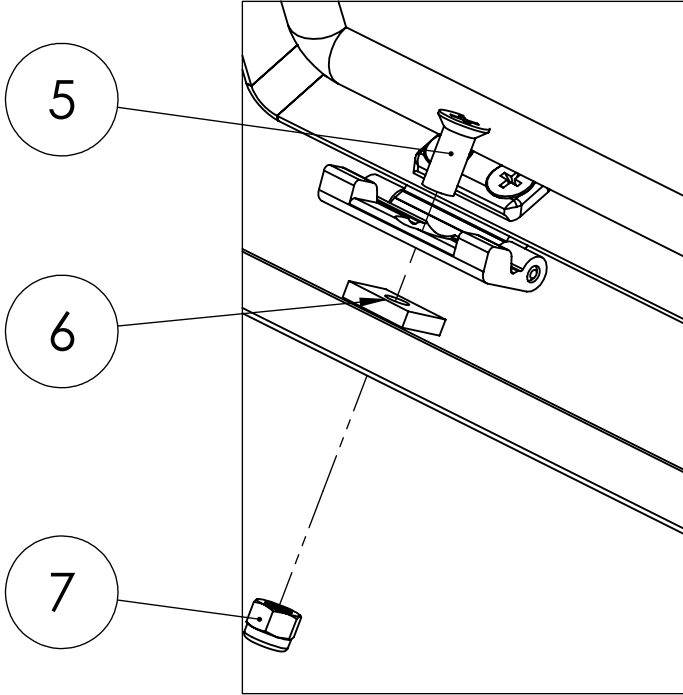
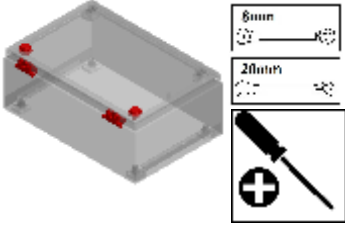


M4x8

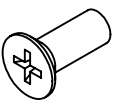


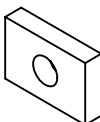


## CLOSED LOCK AND HINGE ASSEMBLY KÖR KİLİT VE MENTEŞE MONTAJ



M5x13

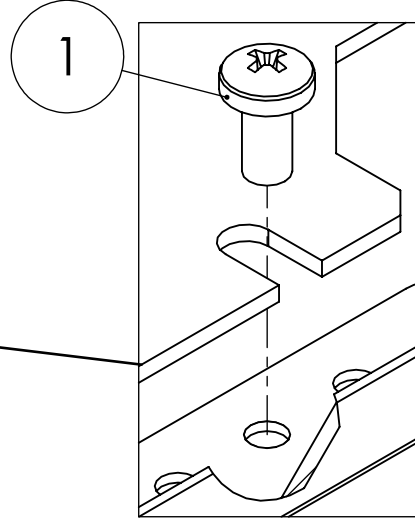
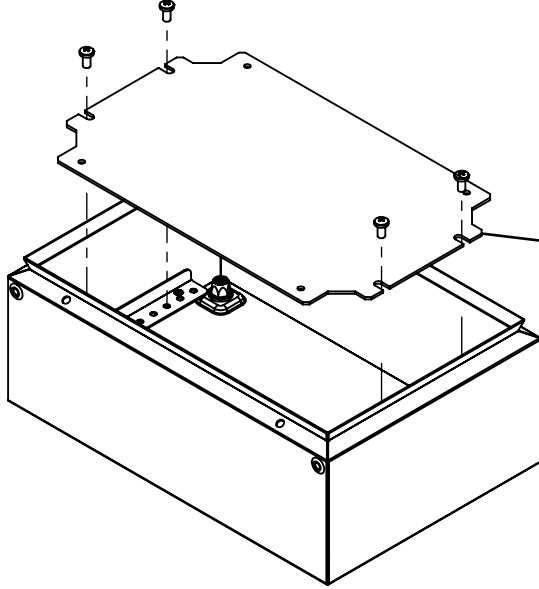
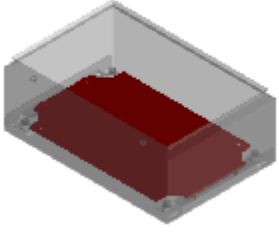
5)  x2

6)  x2

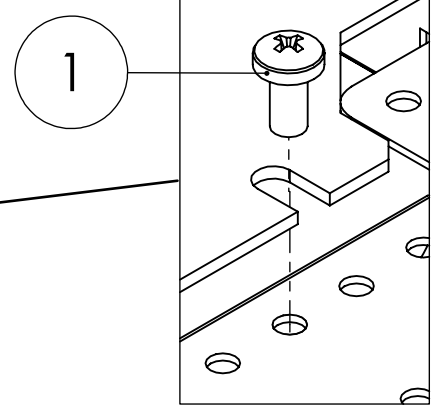
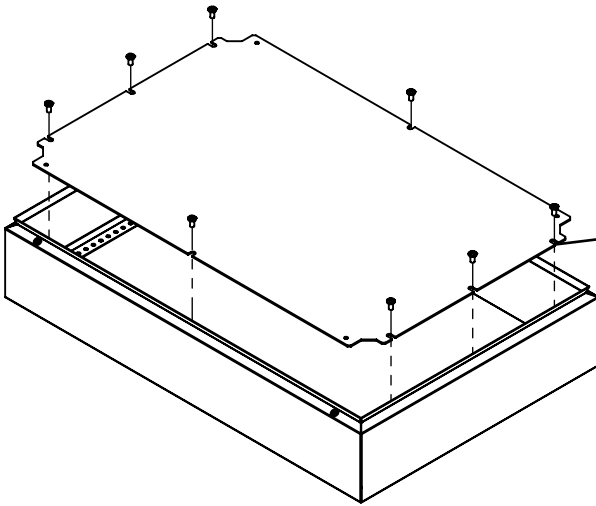
7)  x2

## MOUNTING PLATE ASSEMBLY

### MONTAJ PLAKASI MONTAJ



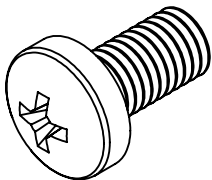
$M_A = 5 + 1 \text{ Nm}$



$M_A = 5 + 1 \text{ Nm}$

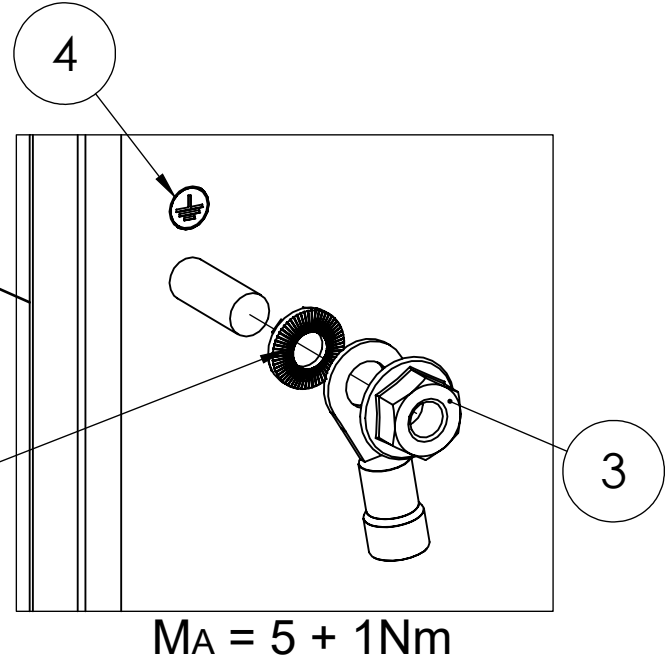
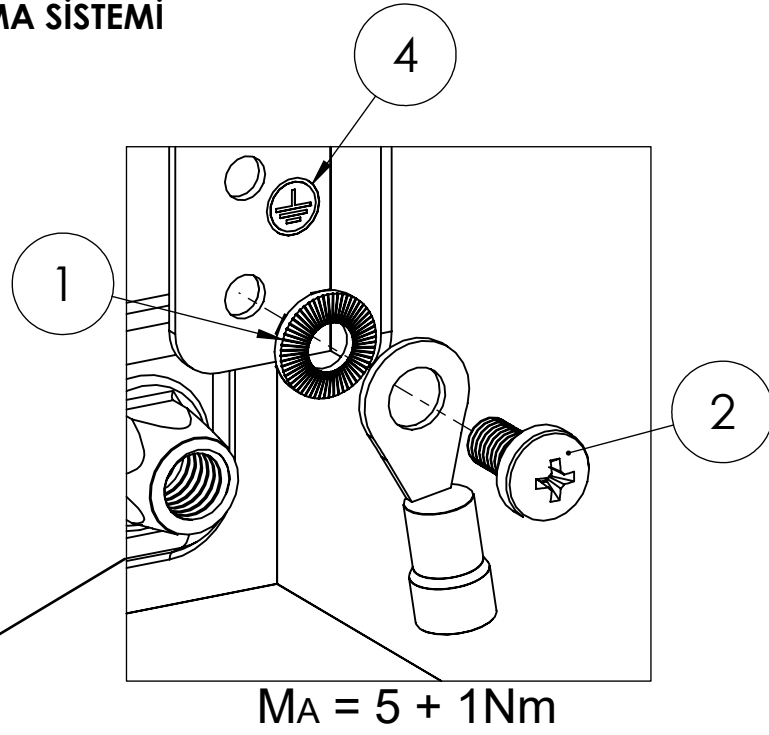
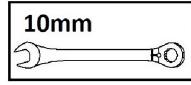
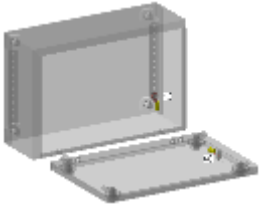
**M5x10**

**1)**



**x8**

## EARTHING SYSTEM TOPRAKLAMA SİSTEMİ




TYPE S Ø5,2 mm

M5x10 mm

M6

1)  x1

2)  x1

3)  x1

4)  x2

M6  
5)  x1



## TEKPAN INDUSTRIAL ENCLOSURES & CABINETS

Kemalpasa O.S.B 17.Sk.No:8 Ulucak

Kemalpaşa / Izmir - TURKEY

**Phone** : +90 232 877 18 77 - 877 13 46 / 47

**Fax** : +90 232 877 13 48

**E-mail** : [info@tekpan.com.tr](mailto:info@tekpan.com.tr)

**Export Dept.** : [export@tekpan.com.tr](mailto:export@tekpan.com.tr)