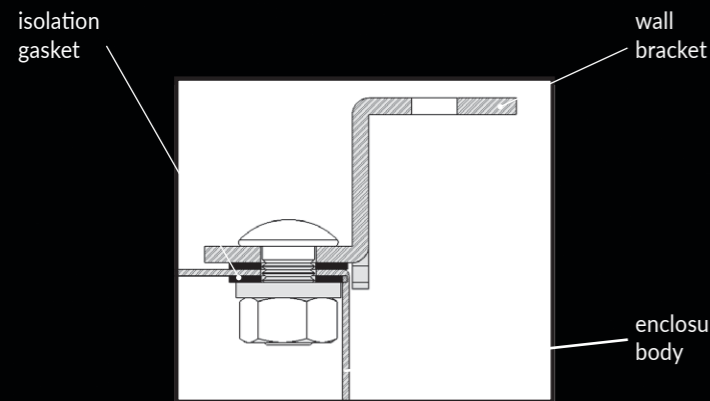
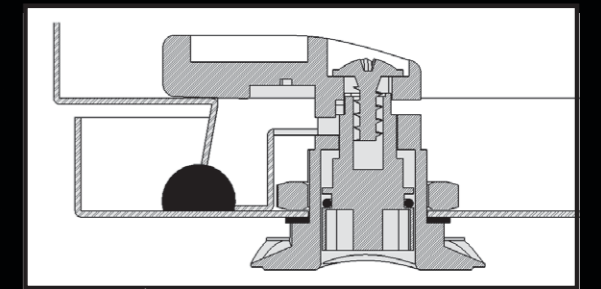
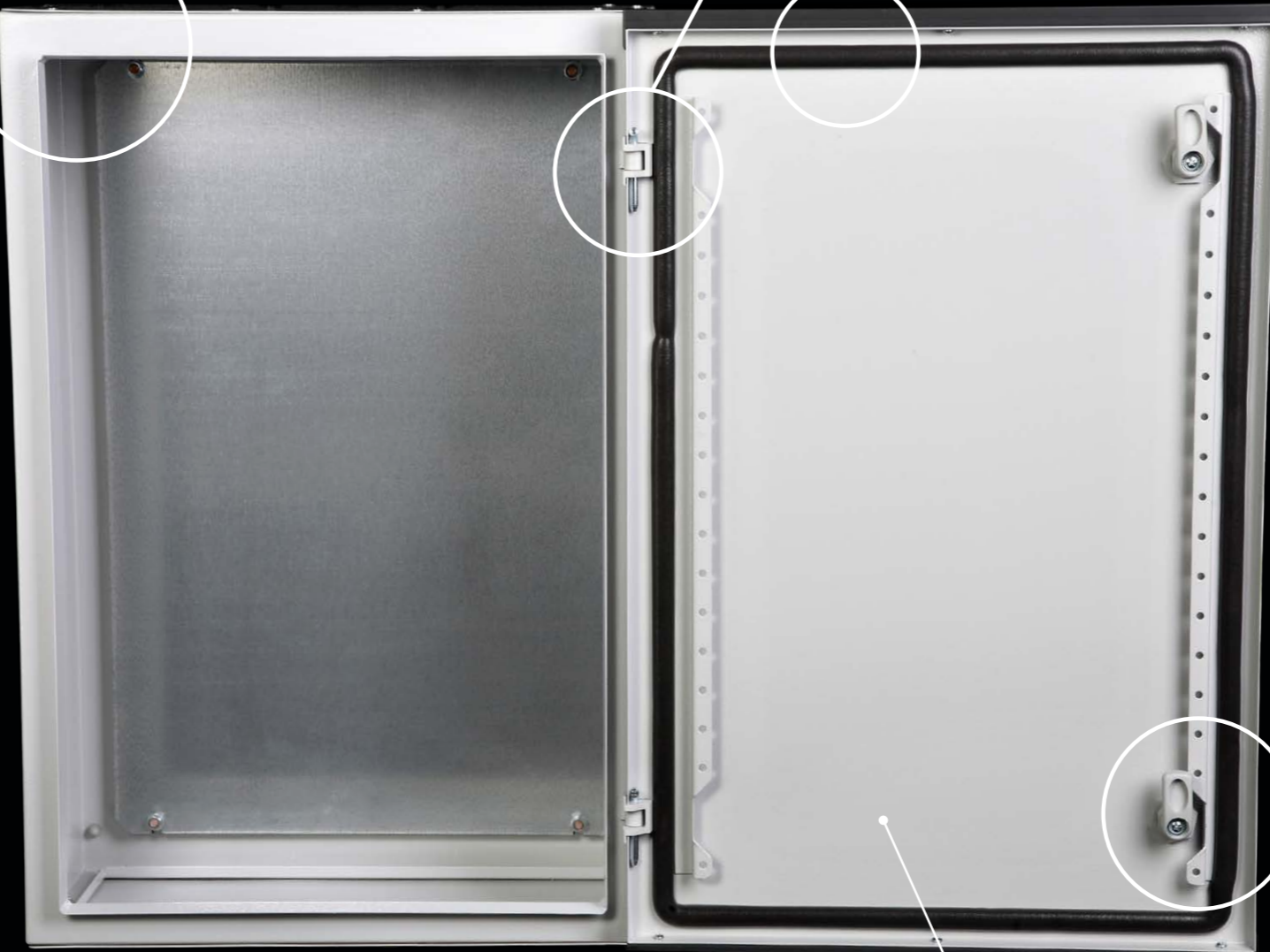
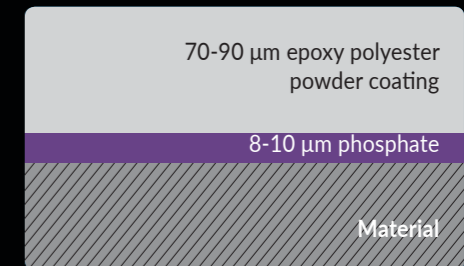


Polyurethane Foam Gasket



500 hours of foggy salt resistance test
Homogeneous coating dispersion



ARES SOLID DOOR with MOUNTING PLATE



Material : Enclosure and parts, door : 1,00 - 1,50 mm mild steel
 Mounting plate : 1,50 - 2,00 mm Galvanized steel

Surface Process : Mild Steel Parts : Nano Plating + Electrostatic Powder Coating RAL 7035
 Mounting Plate : Galvanized

IP Rate : IP 66, (EN 60 529)

Supply Includes : 1 pcs body, 1 set bottom-top lid, 1 pcs front door,
 2 pcs support rails, 1 pcs door key, 1 pcs mounting plate

Please see page 388 for technical drawings.

ACCESSORIES:

Knitted Earthing Cable p.: 91

Wall Bracket p.: 91

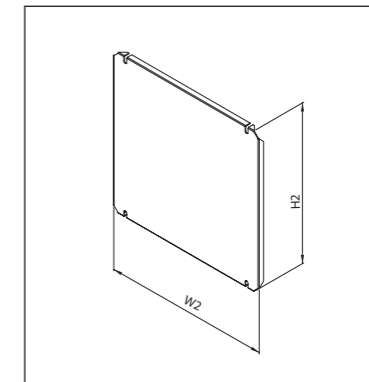
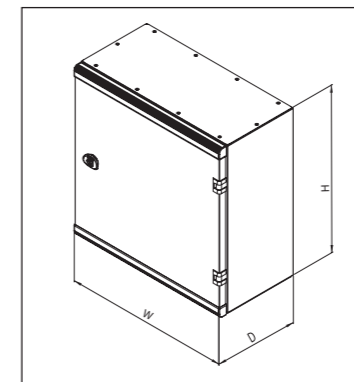


Other Accessories p.: 86

ARES SOLID DOOR with MOUNTING PLATE

PRODUCT CODE	WIDTH (W)	HEIGHT (H)	DEPTH (D)	W2 (mm)	H2 (mm)	LOCK	HINGE	WEIGHT (kg)
101.250*	300	400	150	249	334	1	2	5,5
101.251*	300	400	200	249	334	1	2	6
101.252*	400	400	200	349	334	1	2	7,5
101.253*	400	500	200	349	414	1	2	9
101.254	400	600	200	349	534	2	2	10,5
101.255	400	600	280	349	534	2	2	11,8
101.265	500	500	200	449	434	2	2	11,4
101.266	500	500	280	449	434	2	2	13,4
101.256	500	600	200	449	534	2	2	13,1
101.257	500	700	200	449	634	2	2	14,9
101.258	500	700	280	449	634	2	2	16,5
101.259	600	800	200	549	734	2	2	19,5
101.260	600	800	280	549	734	2	2	21,3
101.261	600	1000	280	549	934	2	3	34,1
101.262	600	1150	280	549	1084	3	3	36,4
101.267	800	800	200	749	734	2	2	24,6
101.268	800	800	280	749	734	2	2	27,9
101.263	800	1000	280	749	934	2	3	40,7
101.264	800	1150	280	749	1084	3	3	46,1

* Marked codes do not include support rails.



Catalogue

ARES SOLID DOOR, without MOUNTING PLATE



- Material** : Enclosure and parts, door : 1,00 – 1,50 mm mild steel
- Surface Process** : Mild Steel Parts : Nano Plating + Electrostatic Powder Coating RAL 7035
- IP Rate** : IP 66, (EN 60 529)
- Supply Includes** : 1 pcs body, 1 set bottom-top lid, 1 pcs front door, 2 pcs door support rail, 1 pcs door key.

Please see page 388 for technical drawings.

ACCESSORIES:

Knitted Earthing Cable p.: 91

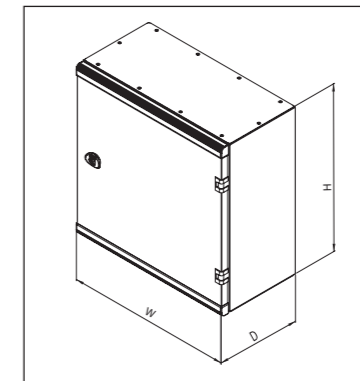
Wall Bracket p.: 91



Other Accessories p.: 86

ARES SOLID DOOR, without MOUNTING PLATE

PRODUCT CODE	WIDTH (W)	HEIGHT (H)	DEPTH (D)	LOCK	HINGE	WEIGHT (kg)
ARES 101.350	300	400	150	1	2	4,8
ARES 101.351	300	400	200	1	2	5,4
ARES 101.352	400	400	200	1	2	6,7
ARES 101.353	400	500	200	1	2	8,3
ARES 101.354	400	600	200	2	2	9,3
ARES 101.355	400	600	280	2	2	10,8
ARES 101.365	500	500	200	1	2	8,1
ARES 101.366	500	500	280	1	2	9,4
ARES 101.356	500	600	200	2	2	11,5
ARES 101.357	500	700	200	2	2	12,7
ARES 101.358	500	700	280	2	2	15
ARES 101.359	600	800	200	2	3	16,2
ARES 101.360	600	800	280	2	3	18,4
ARES 101.361	600	1000	280	2	3	25,5
ARES 101.362	600	1150	280	3	3	36
ARES 101.367	800	800	200	2	2	15,2
ARES 101.368	800	800	280	2	2	16,3
ARES 101.363	800	800	280	2	2	32,3
ARES 101.364	800	1150	280	3	2	36,6



Catalogue

ARES GLAZED DOOR with MOUNTING PLATE

ARES GLAZED DOOR with MOUNTING PLATE



PRODUCT CODE	WIDTH (W)	HEIGHT (H)	DEPTH (D)	W2 (mm)	H2 (mm)	LOCK	HINGE	WEIGHT (kg)
ARES 101.453	400	500	200	349	434	1	2	13
ARES 101.454	400	600	200	349	534	2	2	14
ARES 101.455	400	600	280	349	534	2	2	16
ARES 101.465	500	500	200	449	434	1	2	13
ARES 101.466	500	500	280	449	434	1	2	14
ARES 101.456	500	600	200	449	634	2	2	16,5
ARES 101.457	500	700	200	549	734	2	2	18,5
ARES 101.458	500	700	280	549	734	2	2	19,5
ARES 101.459	600	800	200	549	934	2	3	22
ARES 101.460	600	800	280	549	1084	2	3	24
ARES 101.461	600	1000	280	749	934	2	3	36
ARES 101.462	600	1150	280	749	1084	3	3	39
ARES 101.467	800	800	200	749	734	2	2	28,5
ARES 101.468	800	800	280	749	734	2	2	30
ARES 101.463	800	1000	280	549	934	2	3	44
ARES 101.464	800	1150	280	549	1084	3	3	51

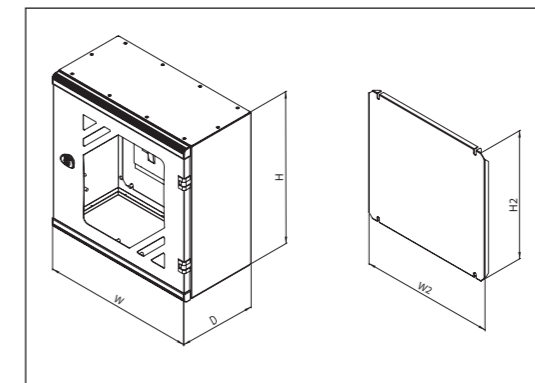
Material : Enclosure and parts, door : 1,00-1,50 mm mild steel
 Mounting plate : 1,50 - 2,00 mm Galvanized steel

Surface Process : Mild steel parts : Nano Plating + Electrostatic Powder Coating RAL 7035
 Mounting plate : Galvanized Steel

IP Rate : IP 54, (EN 60 529)

Supply Includes : 1 pcs body, 1set bottom-top lid, 1 pcs front glazed door, 2 pcs support rails, 1 pcs door key ,1 pcs mounting plate

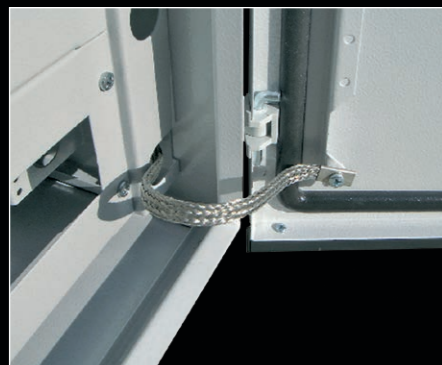
Please see page 388 for technical drawings.



ACCESSORIES:

Knitted Earthing Cable p.: 91

Wall Bracket p.: 91

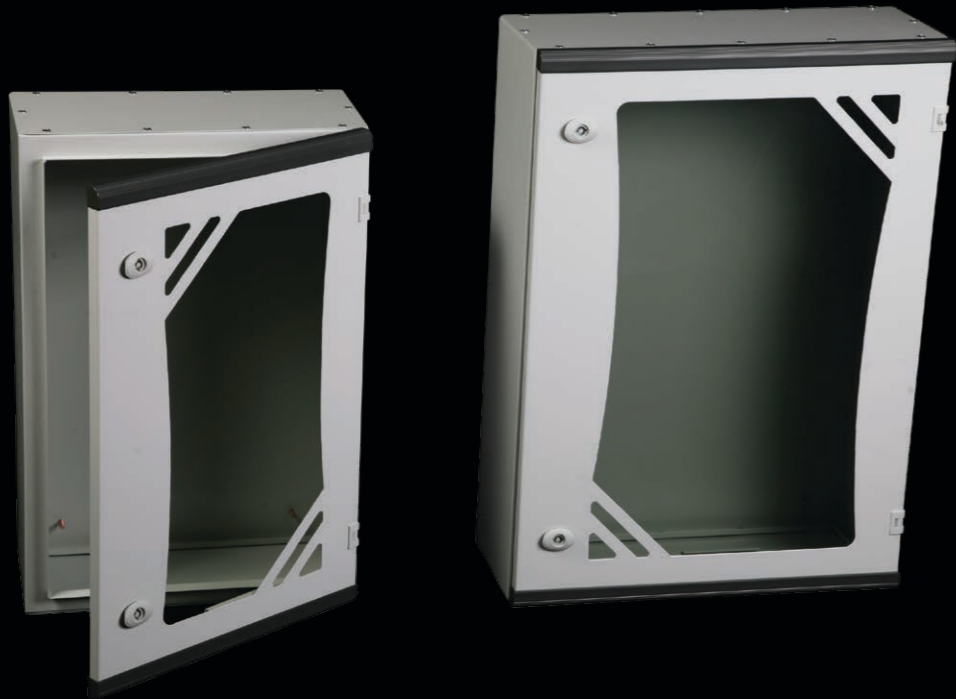


Other Accessories p.: 86



Catalogue

ARES GLAZED DOOR without MOUNTING PLATE



- Material** : Enclosure and parts, door : 1,00- 1,50 mm mild steel
- Surface Process:** : Mild steel parts : Nano Plating + Electrostatic Powder Coating RAL 7035
- IP Rate** : IP 54, (EN 60 529)
- Supply Includes** : 1 pcs body, 1 set bottom-top lid, 1 pcs front glazed door, 2 pcs support rails, 1 pcs door key

Please see page 388 for technical drawings.

ACCESSORIES:

Knitted Earthing Cable p.: 91

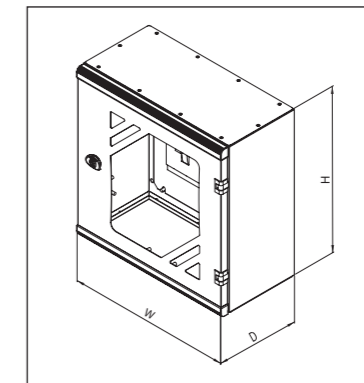
Wall Bracket p.: 91



Other Accessories p.: 86

ARES GLAZED DOOR without MOUNTING PLATE

PRODUCT CODE	WIDTH (W)	HEIGHT (H)	DEPTH (D)	LOCK	HINGE	WEIGHT (kg)
ARES 101.553	400	500	200	1	2	12
ARES 101.554	400	600	200	2	2	13
ARES 101.555	400	600	280	2	2	15
ARES 101.565	500	500	200	1	2	13
ARES 101.566	500	500	280	1	2	14
ARES 101.556	500	600	200	2	2	15,5
ARES 101.557	500	700	200	2	2	17
ARES 101.558	500	700	280	2	2	20
ARES 101.559	600	800	200	2	3	21
ARES 101.560	600	800	280	2	3	24
ARES 101.561	600	1000	280	2	3	34
ARES 101.562	600	1150	280	3	3	35
ARES 101.567	800	800	200	2	3	28,5
ARES 101.568	800	800	280	2	3	30
ARES 101.563	800	1000	280	2	3	42
ARES 101.564	800	1150	280	3	3	50



Catalogue

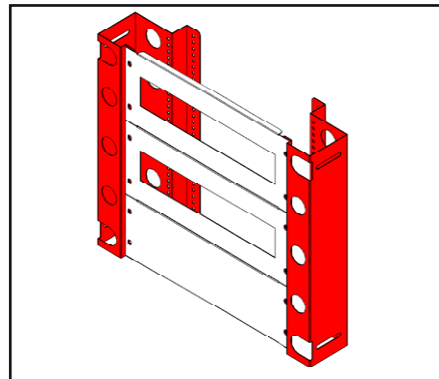
ARES ACCESSORIES AND EQUIPMENTS

MAIN INTERIOR SUPPORT RAILS

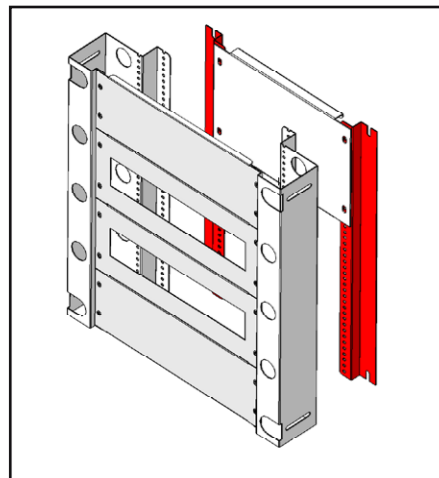


Material : Mild steel,
RAL7035 powder-coating.
Supply includes : 2 pcs support rails
and assembly parts.

PRODUCT CODE	ENCLOSURE	
	HEIGHT (H)	VERTICAL PROFILE HEIGT
943.801	400	340
943.802	500	440
943.803	600	540
943.804	700	640
943.805	800	740
943.806	1000	940
943.807	1150	1090

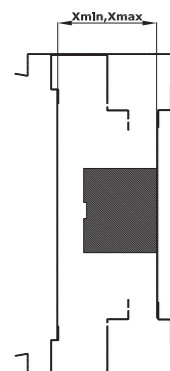


INTERIOR MOUNTING RAILS



Material : Mild steel, RAL7035
powder-coating.
Supply includes : 2 pcs rails and assembly
parts.

PRODUCT CODE	ENCLOSURE HEIGHT (H)
943.810	400
943.811	500
943.812	600
943.813	700
943.814	800
943.815	1000
943.816	1150

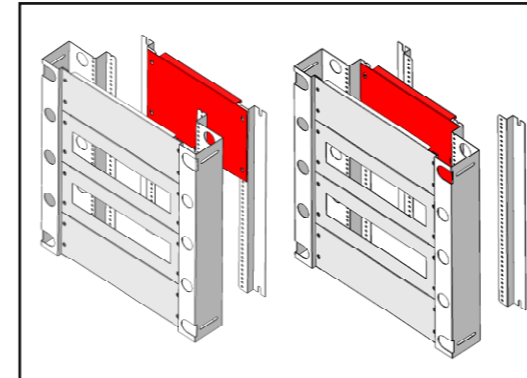


X min. Depth 200 mm : 93 mm
Depth 280 mm : 173 mm

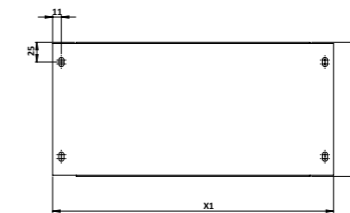
X max. Depth 200 mm : 183 mm
Depth 280 mm : 213 mm

ARES ACCESSORIES AND EQUIPMENTS

INTERIOR MOUNTING PLATE

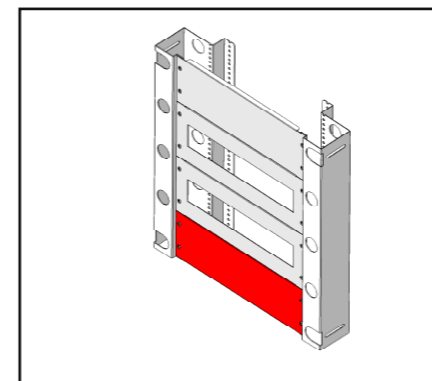


Material : Galvanized steel
Supply includes : 1 pcs mounting plate and
assembly parts



PRODUCT CODE	ENCLOSURE		
	WIDTH	HEIGT	X1 (mm)
944.406	300	170	156
944.402	400	170	256
944.403	500	170	356
944.404	600	170	456
944.405	800	170	656

INTERIOR COVER PLATES

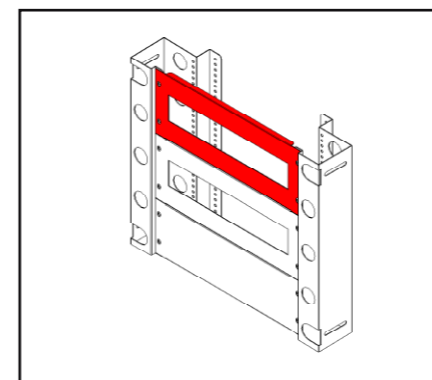


Material : Mild steel,
RAL 7035 powder-coating.
Supply includes : 1 pcs plate and assembly
parts

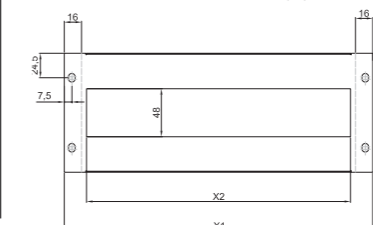


PRODUCT CODE	ENCLOSURE		
	WIDTH	A (mm)	X1 (mm)
943.870	300	80	208
943.820		100	208
943.821		120	208
943.822		160	208
943.871	400	80	308
943.823		100	308
943.824		120	308
943.825		160	308
943.872		200	308
943.873	500	80	408
943.826		100	408
943.827		120	408
943.828		160	408
943.874		200	408
943.875	600	80	508
943.829		100	508
943.830		120	508
943.831		160	508
943.876		200	508
943.877	800	80	708
943.832		100	708
943.833		120	708
943.834		160	708
943.878		200	708

INTERIOR COVER PLATE FOR MCB



Material : Mild steel,
RAL 7035
powder-coating.
Supply includes : 1 pcs plate and
assembly parts

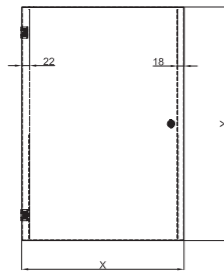


PRODUCT CODE	ENCLOSURE				
	WIDTH	A (mm)	X1 (mm)	X2	SWITCH CAP.
943.835	300	120	208,5	163	9
943.836		160	208,5	163	9
943.837	400	120	308,5	253	14
943.838		160	308,5	253	14
943.839	500	120	408,5	361	20
943.840		160	408,5	361	20
943.841	600	120	508,5	469	26
943.842		160	508,5	469	26
943.843	800	120	708,5	667	37
943.844		160	708,5	667	37

COMPLETE INTERIOR DOOR SYSTEM



SOLID INTERIOR DOOR



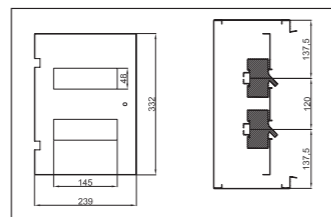
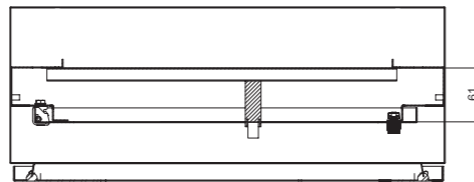
PRODUCT CODE	ENCLOSURE			
	WIDTH (W)	HEIGHT (H)	X (mm)	Y (mm)
943.845	300	400	239	232
943.846	400	400	339	232
943.847		500	339	432
943.848		600	339	532
943.849	500	600	439	532
943.850		700	439	632
943.851	600	800	539	732
943.852		1000	539	932
943.853		1150	539	1082
943.854	800	1000	739	932
943.855		1150	739	1082



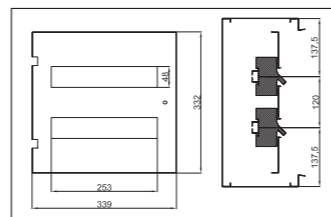
INTERIOR DOOR FOR MCB

Material : Mild steel, RAL7035 powder-coating

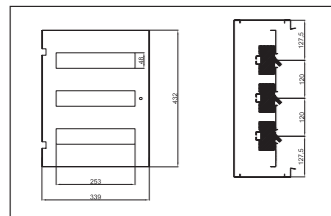
Supply includes : 1 set hinge, 1 pcs locked interior door and support rails.



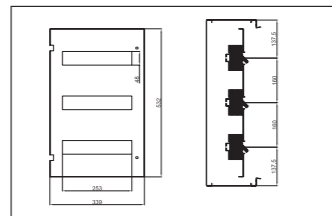
Enclosure W300 x H400 mm
Product Code: 943.856



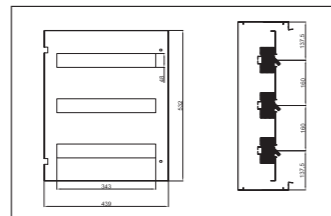
Enclosure W400 x H400 mm
Product Code: 943.857



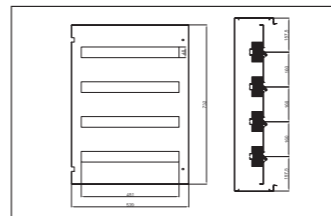
Enclosure W400 x H500 mm
Product Code: 943.858



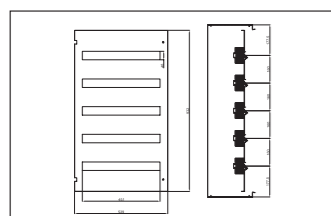
Enclosure W400 x H600 mm
Product Code: 943.859



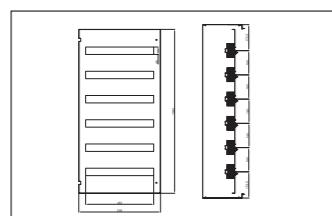
Enclosure W500 x H600 mm
Product Code: 943.860



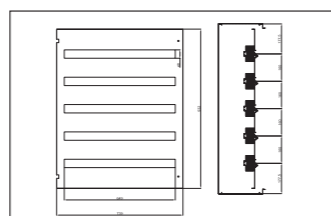
Enclosure W600 x H800 mm
Product Code: 943.862



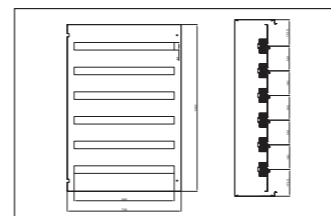
Enclosure W600 x H1000 mm
Product Code: 943.863



Enclosure W600 x H1150 mm
Product Code: 943.864



Enclosure W800 x H1000 mm
Product Code: 943.865



Enclosure W800 x H1150 mm
Product Code: 943.866

19" SWING FRAME



Material : Mild steel, RAL7035 powder-coating.

Supply includes : 1 pcs hinged, locked swing frame and support rails.

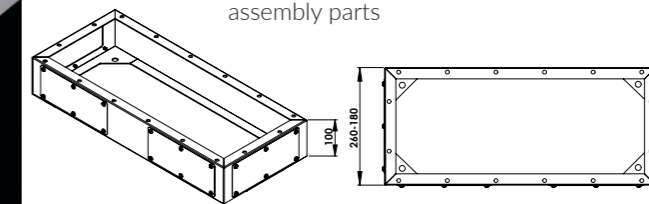
PRODUCT CODE	ENCLOSURE		
	WIDTH (W)	DEPTH (D)	U
943.867	600	800	14
943.868	600	1000	18
943.869	600	1150	22

ARES PLINTH



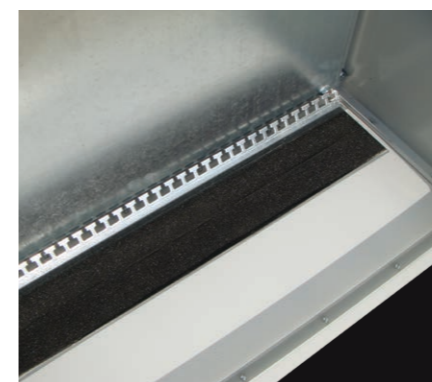
Material : Mild Steel, RAL 7035 powder coating

Supply includes : 1 pcs plinth, lids and assembly parts



PRODUCT CODE	ENCLOSURE	
	WIDTH	DEPTH
915.106	500	200
915.107	500	280
915.108	600	200
915.109	600	280
915.110	800	280

GLAND PLATE WITH FOAM ISOLATION

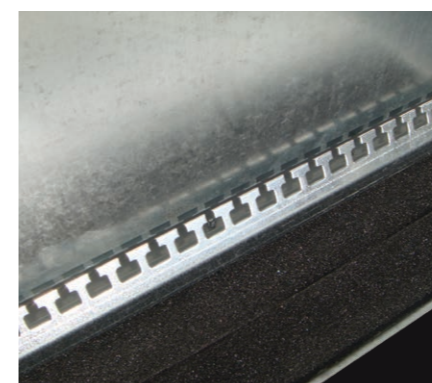


Material : Mild Steel, RAL 7035 powder coating and EPDM foam gasket

Supply includes : Gland plate, press part and gasket

PRODUCT CODE	ENCLOSURE	
	WIDTH	DEPTH
925.101	500	200
925.102	500	280
925.103	600	200
925.104	600	280
925.105	800	280

CABLE CLAMP RAIL



Material : Galvanized Steel

Supply includes : 1 pcs rail and assembly parts

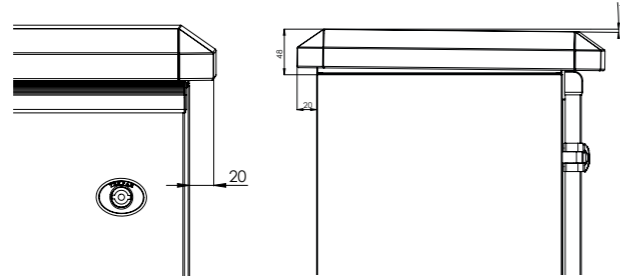
PRODUCT CODE	ENCLOSURE WIDTH
997.121	500
997.122	600
997.123	800

RAIN CANOPY



Material : Galvanized steel,
RAL 7035 powder-coating

Supply includes: 1 pcs rain canopy, 1 pcs special assembly plate and assembly parts



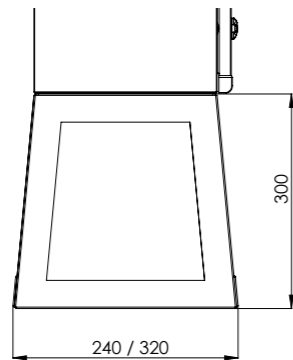
PRODUCT CODE	ENCLOSURE	
	WIDTH	DEPTH
934.101	300	200
934.102	400	200
934.103		280
934.104	500	200
934.105		280
934.106	600	200
934.107		280
934.108	800	280

PLINTH FOR OUTDOOR USE



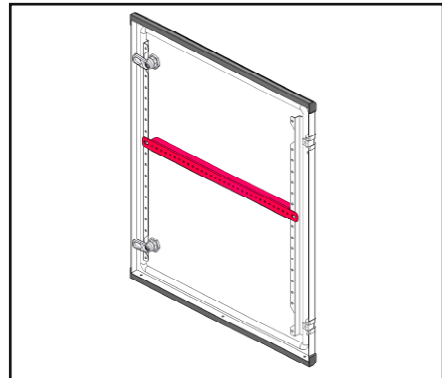
Material : Galvanized steel,
RAL 7035 powder-coating

Supply includes: 1 pcs outdoor plinth and assembly parts



PRODUCT CODE	ENCLOSURE	
	WIDTH	DEPTH
915.101	500	200
915.102	500	280
915.103	600	200
915.104	600	280
915.105	800	280

DOOR RAIL (For Mounting Cable Duct)



Material : Galvanized steel

Supply includes: 1 pcs door rail and assembly parts

PRODUCT CODE	ENCLOSURE WIDTH
997.201	400
997.203	500
997.204	600
997.205	800

KNITTED EARTHING CABLE



Product Code: 991.201

Quantity : 10

Length : 260 mm

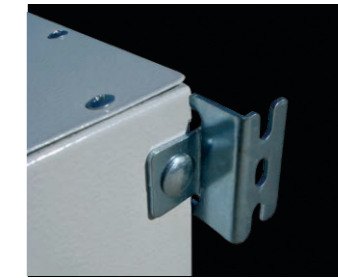
Product Code: 991.204

Quantity : 1

Length : 260 mm

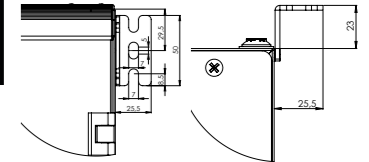
Assembly screws are not included.

WALL BRACKET

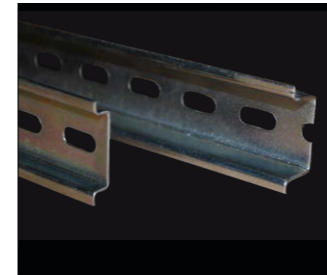


Product Code: 971.100

Quantity : 4 pcs wall bracket, screws and gaskets



MCB RAIL (H15)



Product Code: 990.100
990.102

Quantity : 1

Length : 7,5 mm

MCB BLANK PLATE



Product Code: 990.101

Quantity : 1

Length : 175 mm

LAMP RAIL



Product Code: 903.151-500G
903.152-600G
903.153-800G

Quantity : 1 pc, screws

Length : 2 m

LAMP 230V

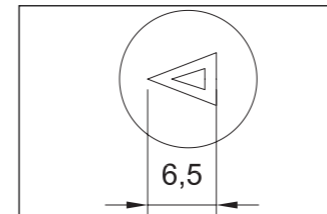


PRODUCT CODE	Watt	Length
901.110	6 W	
901.130	4 W	LED 30 cm
901.140	7 W	LED 57 cm

Lamp rail is required for assembling.

SPECIAL LOCK INSERTS

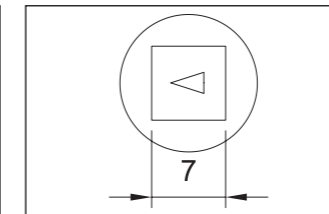
TRIANGLE INSERT



Product Code: 951.211

Quantity : 1

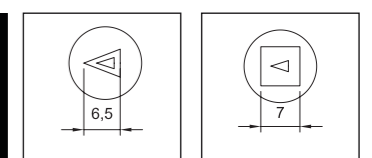
SQUARE INSERT



Product Code: 951.212

Quantity : 1

SPECIAL KEYS



Product Code
952.200

Product Code
952.201

HANDLE LOCK



Product Code: 951.204

Quantity : 1

SPARE PARTS

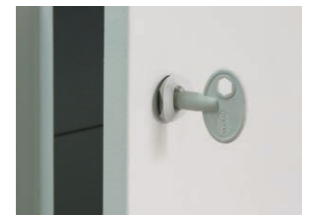
M5x10 SELF TAPPING SCREW



Product Code: 951.211

Quantity : 100

DOUBLEBIT KEY



Product Code: 952.100

Quantity : 1