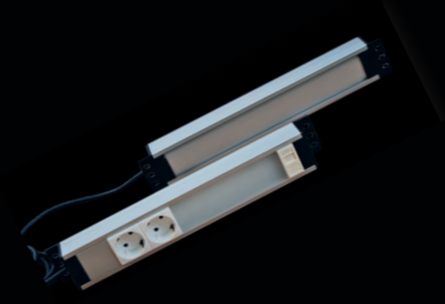




**LIGHTING
ACCESSORIES**

368



**GROUP POWER
SOCKETS**

370



**LOCK
ACCESSORIES**

372

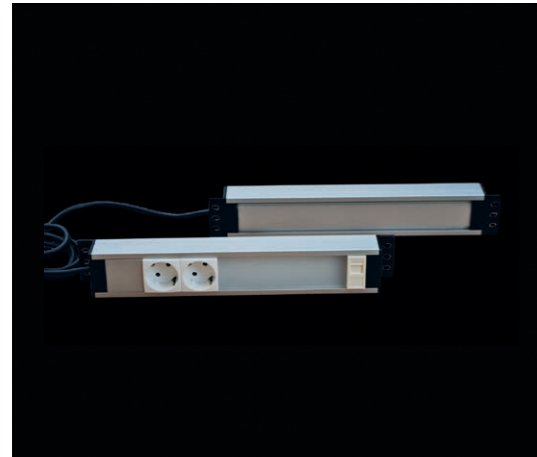


**MOUNTING
ACCESSORIES**

374



LIGHTING ACCESSORIES



**LED LIGHT ENCLOSURE LAMP
(SCREWED/TYPE)**

- 230V AC 6W
- 2 pcs of socked plugs+switch cable

Product Code : 901.110



**LED LIGHT ENCLOSURE LAMP
(MAGNETIC/TYPE)**

- 230V AC 6W
- 2 pcs of socked plugs+switch cable

Product Code : 901.120



**LED LIGHT ENCLOSURE LAMP
(FLAT /TYPE)**

- 230V AC 8W

Product Code : 901.130 - 5W
901.140 - 7W

LIGHTING ACCESSORIES



DOOR LAMP SWITCH

- 230V, 3A, IP 65 protection
- Without cable

Product Code : 902.110 (1 pcs)

REQUIRED : Switch bracket is needed for the switch mounting.
Please see page 185



**DOOR LAMP SWITCH
(MINI SWITCH)**

- 230V
- Without cable

Product Code : 902.100 (1 pcs)

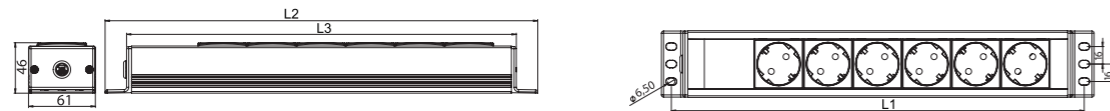
GROUP POWER SOCKETS

GROUP POWER SOCKETS (STANDARD)

- The sockets fixes into aluminium inlet
- 230V AC, 10/16A
- Earthed socket constructs
- 2 meter 3x1,5 TTR cable and plug
- Place contact with our customer service as to you special requirements



Product Code	OUTPUT SOCKET Qty.	SOCKET TYPE	19" COMPATIBILITY	L1 (mm)	L2 (mm)	L3 (mm)
990.200	6	Network		375	393	354
990.201	7	Network		420	438	399
990.202	8	Network	***	465	483	444
990.203	9	Network		510	528	489
990.204	6	UPS		375	393	354
990.205	7	UPS		420	438	399
990.206	8	UPS	***	465	483	444
990.207	9	UPS		510	528	489

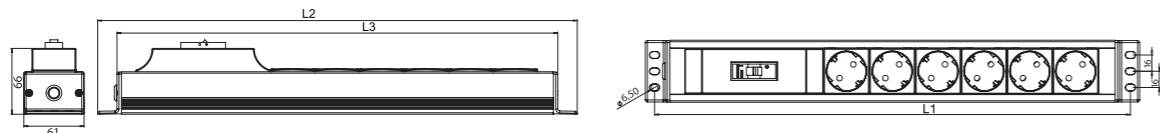


GROUP POWER SOCKETS (WITH FUSE)

- The sockets fixes into aluminium inlet
- 230V AC, 10/16 A
- 16 A Fuse
- Earthed socket constructs
- 2 meter 3x1,5 TTR cable and plug
- Place contact with our customer service as to you special requirements



Product Code	OUTPUT SOCKET Qty.	SOCKET TYPE	19" COMPATIBILITY	L1 (mm)	L2 (mm)	L3 (mm)
990.208	6	Network	***	465	483	444
990.209	7	Network		510	528	489
990.210	8	Network		555	573	534
990.211	9	Network		600	618	579
990.212	6	UPS	***	465	483	444
990.213	7	UPS		510	528	489
990.214	8	UPS		555	573	534
990.215	9	UPS		600	618	579



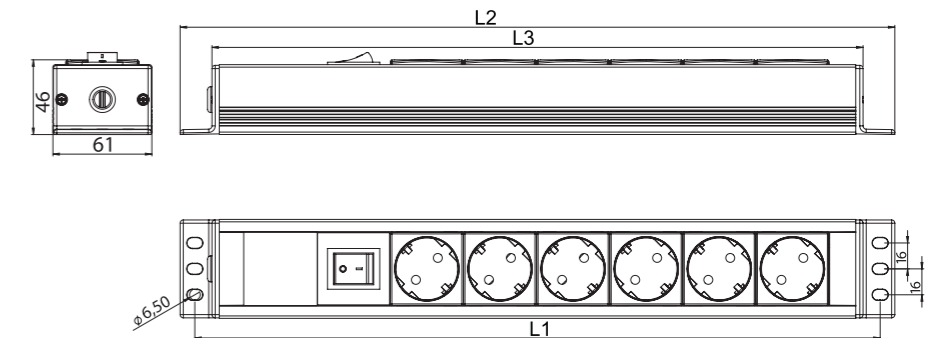
GROUP POWER SOCKETS

GROUP POWER SOCKETS (WITH SWITCH)

- The sockets fixes into aluminium inlet
- 230V AC 10/16A
- ON/OFF switch
- Earthed socket constructs
- 2 meters 3x1,5 TTR cable and plug
- Place contact with our customer service as to you special requirements



Product Code	OUTPUT SOCKET Qty.	SOCKET TYPE	19" COMPATIBILITY	L1 (mm)	L2 (mm)	L3 (mm)
990.216	6	Network		420	438	399
990.217	7	Network	***	465	483	444
990.218	8	Network		510	528	489
990.219	9	Network		555	573	534
990.220	6	UPS		420	438	399
990.221	7	UPS	***	465	483	444
990.222	8	UPS		510	528	489
990.223	9	UPS		555	573	534



LOCK ACCESSORIES



PLASTIC HANDLE LOCK

- Double-bit is standard.
- Relevance: Ares

Product Code : 951.104 (1 pcs)



CAM LOCK

- Double-bit is standard.
- Relevance: DM Series

Product Code : 951.100 (1 pcs)



METAL SPRING LOCK

- Made from zinc, double-bit insert.

Product Code : 951.200 (1 pcs)



HANDLE LOCK

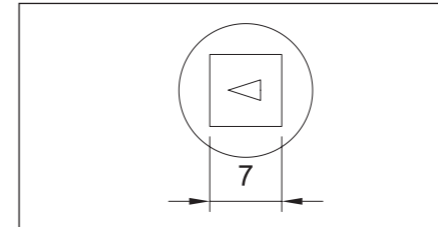
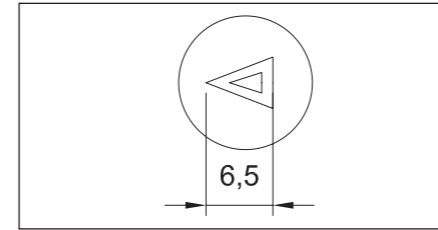
- Made from zinc

Product Code : 951.205 (1 pcs)

Relevance: Ares

Product Code : 951.204 (1 pcs)

LOCK ACCESSORIES



INSERTS

- Plastic handle lock, spring lock and metal spring lock

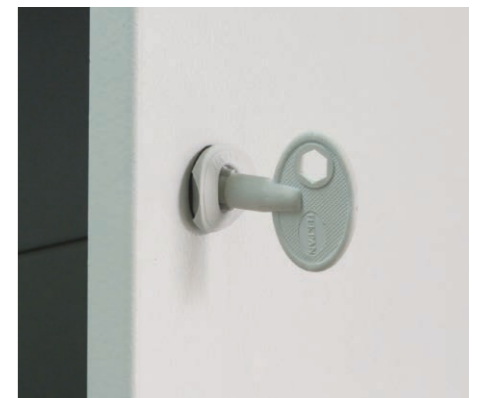
Relevance : ARES

Product Code : 6,50 mm triangle insert : 951.211 (1 pcs)
7 mm square insert : 951.212 (1 pcs)



KEYS

Product Code : Double-bit plastic : 952.100
Double-bit metal : 952.101
6,50 mm triangle insert : 952.200 (1 pcs)
7 mm square insert : 952.201 (1 pcs)



KEYS (ENCRYPTED)

Product Code : Euro Key 5333 For DM, DT, HC, RC, PC : 952.300 (1 pcs)

MOUNTING ACCESSORIES



DIN RAIL

Material : 1,00 mm mild steel + Zinc Coated

Product Code: H 7,50 mm : **990.102** (2 m)
 H 15,00 mm : **990.100** (2 m)



MCB BLANK PANEL

Material : ABS Plastic

- 175 mm length, 12 parts

Product Code: **990.101** (1 pcs)



KNITTED EARTHING CABLE

Material : Copper + Tin-plating

Product Code : (DM) M5 screw-perforation 163 mm : **991.200** (10 pcs)
 (Ares DT) M5 screw-perforation 260 mm : **991.201** (10 pcs)
 (Teos) M8 screw-perforation 260 mm : **991.202** (5 pcs)
 Knitted Flex earthing cable 163 mm : **991.205** (1 pcs)
 Knitted Flex earthing cable 260 mm : **991.204** (1 pcs)



UNIT COMBINATION GASKET

Material : Polyethylene 10x3mm

Product Code: **992.100** (1 pocket / 5,60 m)

MOUNTING ACCESSORIES

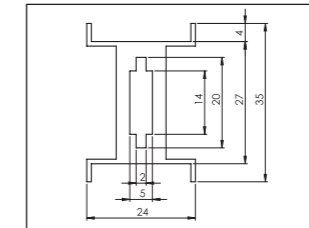


ALUMINIUM DIN RAIL

Product Code : **1026.320**

Material : Extruded Aluminium + Anodized Coated

Supply includes: 5 x 2000mm Length Aluminium Rail



FLAT TYPE HOLDER

Product Code : **1026.500**

Relevance : Aluminium Din Rail (1026.320)

Material : Zinc Die Cast + RAL 7035

Supply includes: 10 x Holders



VERTICAL TYPE HOLDER

Product Code : **1026.600**

Relevance : Aluminium Din Rail (1026.320)

Material : Zinc Die Cast + RAL 7035

Supply includes: 10 x Holders

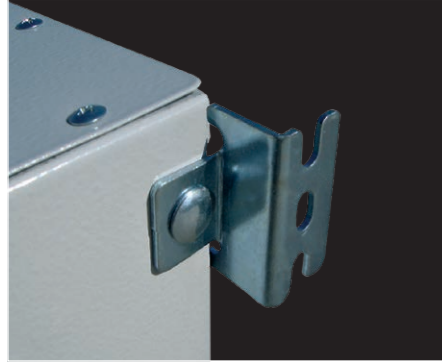


M8 SPACERS

Product Code : **1026.005** (50mm Height)
1026.010 (100mm Height)

Supply includes: 12 pcs

MOUNTING ACCESSORIES

**WALL BRACKET**

Relevance : Ares

Material : 2,5 mm Mild Steel + Zinc Coated

Supply includes : 4 pcs wall bracket, combination screws

Product Code : 971.100

**WALL BRACKET**

Relevance : KT, DM

Material : 2,5 mm Mild Steel + Zinc Coated

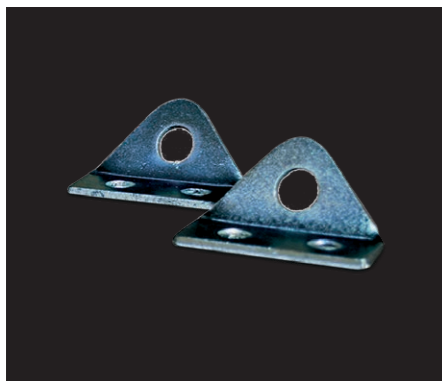
Supply includes : 4 pcs wall bracket, gasket, M8 connection screws

Product Code : 971.300

Load Carrying Capacity : 2800 Newton - Vertical



Load Carrying Capacity : 1500 Newton - Horizontal

**COMBINATION ANGLE**

Material : 4.00 mm mild steel + Zinc Coated

Supply includes : 2 pcs support angle

- Only for DT series.

Product Code : 970.300

MOUNTING ACCESSORIES

**CASTOR SET 50 mm and 80 mm**

Supply includes : 2 pcs castor with brakes, 2 pcs castor without brakes, all of them are rotating

Product Code : 50 mm 995.501
80 mm 995.502

**PLASTIC PLAN POCKET**

Material : ABS RAL 7035

Product Code : A4 Size : 994.400
B5 Size : 994.500

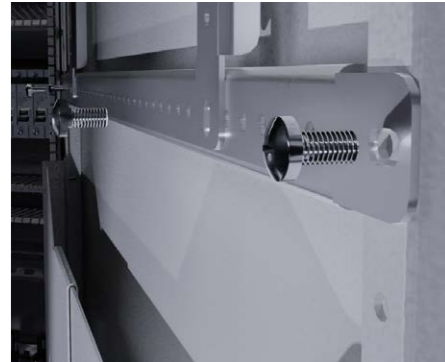
**SPRAY RETOUCH PAINT RAL 7035**

Product Code : 996.200 (1 pcs)

**STAINLESS STEEL MAINTENANCE SPRAY**

Product Code : 996.400

MOUNTING ACCESSORIES



M5x10 SELF TAPPING

- Self tapping screw can top 4.50 mm holes

Product Code : 993.105 (100 pcs)



SELF-DRILLING SCREW

- Self-drilling steel screw

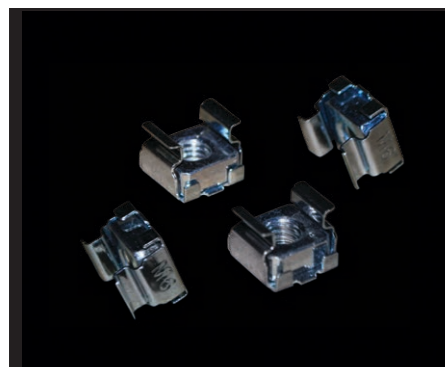
Product Code : 993.106 (100 pcs)



M5x15 HEXAGON SELF TAPPING SCREW

- Self tapping screw can top 4.50 mm holes

Product Code : 993.107 (100 pcs)



M6 CAGE NUT

- Nut used for mounting rear sheet steel in size 8,50 X 8,50 mm - 9,50 mm square perforations.

Product Code : 994.160 (100 pcs)

MOUNTING ACCESSORIES



M6 HIDE NUT

- Used for mounting the support rails and mounting rails on the enclosure. Mounted on the closed and open profiles from the front surface, 9,50x9,50 mm square perforations.

Product Code : 994.170 (100 pcs)



M6 SCREW NUT SET

- Screw set used for mounting 19" equipments on the profile with cage nut and M6x 15 screw.

Supply includes : 100 pcs M6 cage nut, 100 pcs plastic washer ring, 100 pcs M6X 15 screw

Product Code : 993.420



M6 STOPPER SCREW

- Used on rear and side panels of Teos series. Self-stopping structure and prevents panel overtightening.

Product Code : 993.322 (16 pcs)



M12 x 30 SCREW and WASHER SET

- It is used in enclosure baying and fitting on plinth

Supply includes : 4 pcs screw and washer

Product Code : 993.108 (4 set)