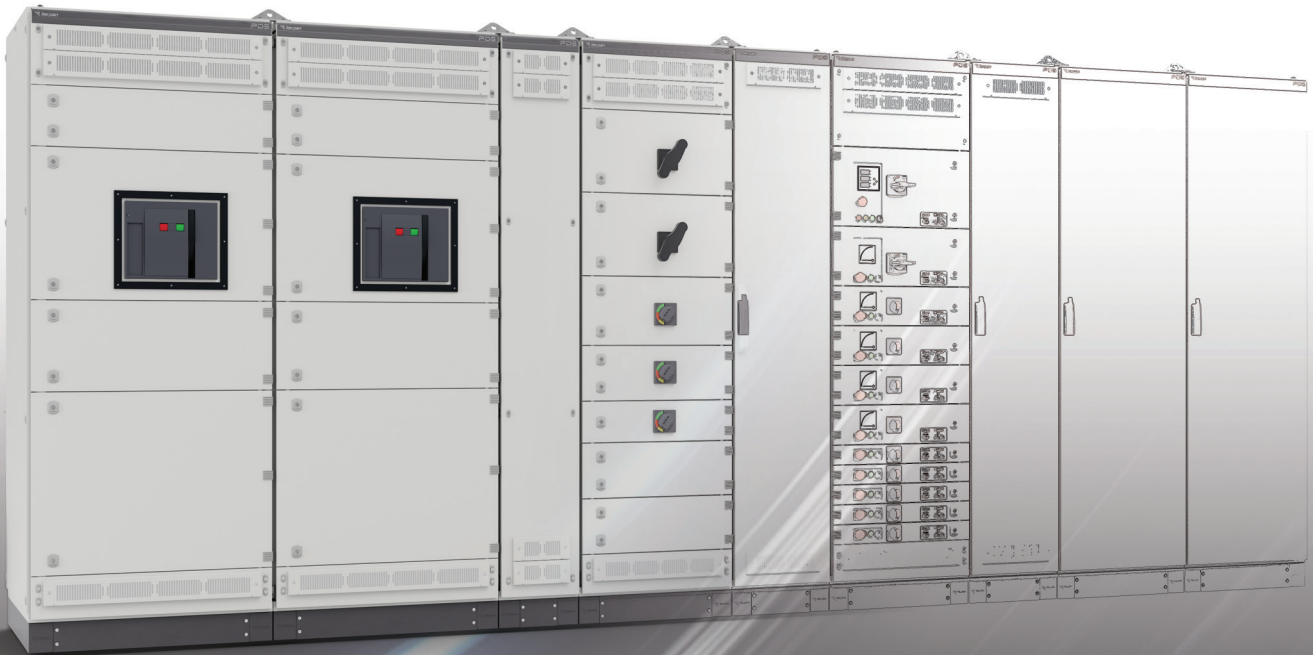


A2.5

DISTRIBUTION MODULE

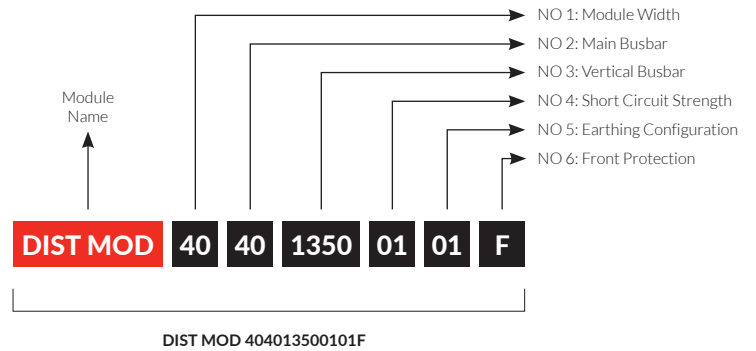
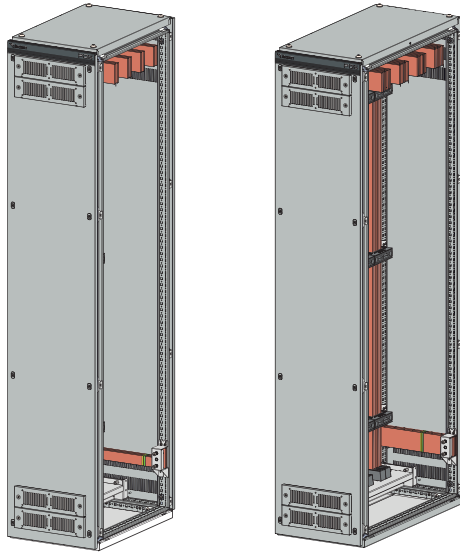
07/2023



PDS

UPGRADE THE POWER

SELECTION CHARACTERISTICS

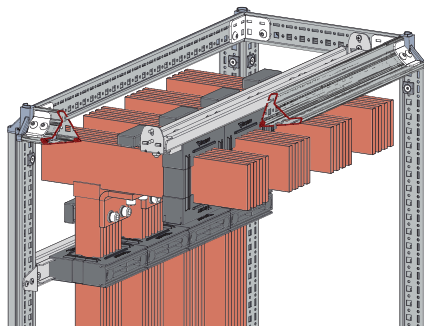
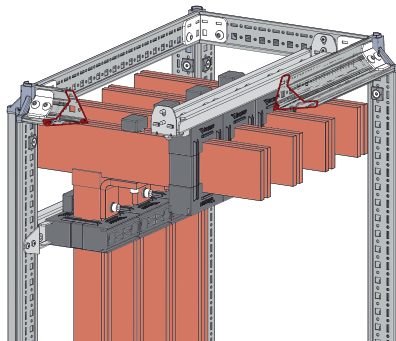


NO 1		NO 2			NO 3			NO 4		NO 5		NO 6		
Selection Code	Module Width (W)	Selection Code	Main Busbar (In)	Module Depth (D)	Selection Code	Vertical Busbar (In)	Module Depth (D)	Selection Code	Short Circuit Strength (Icw)	Selection Code	Earthing Configuration	Selection Code	Front Protection	Door Type
30	300	13	1350A	600	0495	495A	600/800	01	65kA	01	TN-S (1/1)	F	External	Fixed
40	400	16	1620A		0700	700A	600/800	02	85kA	02	TN-S (1/2)			
		18	1860A		0900	900A	600/800			03	TN-C (PEN) (1/2)			
		23	2300A		1100	1100A	600/800			04	TN-C-S (1/2)			
		25	2500A	800	1300	1300A	600/800			05	TT (1/1)			
		30	3000A		1350	1350A	600/800			06	TT (1/2)			
		34	3400A		1620	1620A	600/800			07	IT			
		40	4000A		1860	1860A	600/800							
				2300	2300A	600/800								
				2500	2500A	800								
				3000	3000A	800								
				3400	3400A	800								
				4000	4000A	800								

! Note : 4 Phases vertical busbar position is valid in only TN-S(1/1) and TT(1/1) configurations in NO 3. Please see at Earthing System

4000A and 2300A Vertical Busbars are only available for 400 Width Module.

NO 1: MAIN BUSBAR



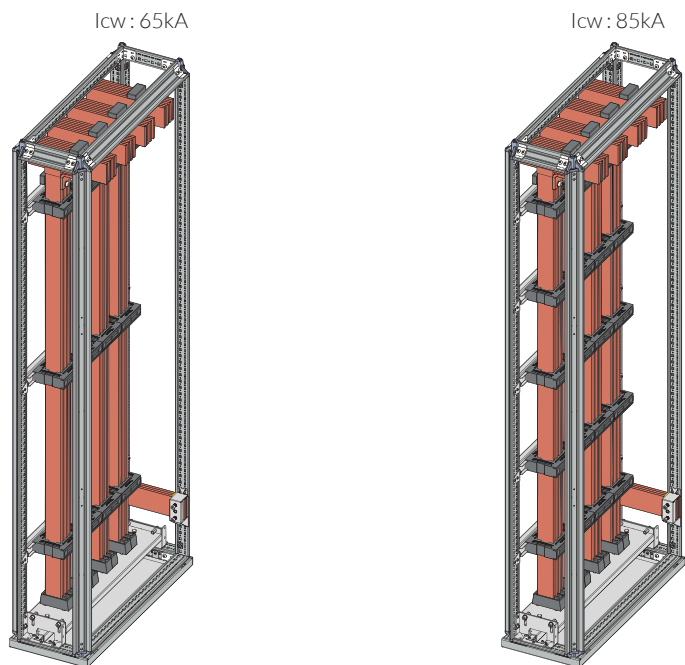
AMBIANCE TEMP : 25°C , HEATING TEMP : 30°C , 50 Hz A.C.

Neutral Section	Rated Current (In)	Flat Copper Size (mm) x Qty		
		L1/L2/L3	Neutral(N)	PE
1/2 N	1350A	40/10x2	40/5x2	20/5x2
1/1 N	1350A	40/10x2	40/10x2	40/5x2
1/2 N	1620A	50/10x2	50/5x2	25/5x2
1/1 N	1620A	50/10x2	50/10x2	50/5x2
1/2 N	1860A	60/10x2	60/5x2	30/5x2
1/1 N	1860A	60/10x2	60/10x2	60/5x2
1/2 N	2300A	80/10x2	40/10x2	40/5x2
1/1 N	2300A	80/10x2	80/10x2	40/10x2

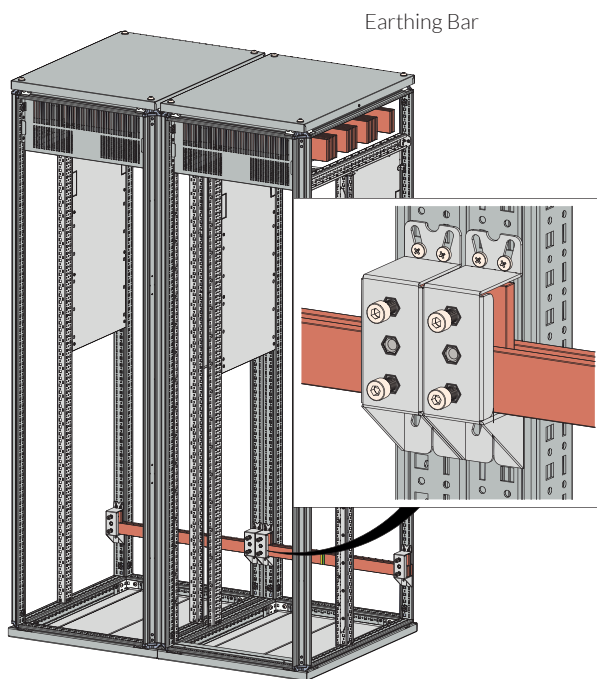
AMBIANCE TEMP : 25°C , HEATING TEMP : 30°C , 50 Hz A.C.

Neutral Section	Rated Current (In)	Flat Copper Size (mm) x Qty		
		L1/L2/L3	Neutral(N)	PE
1/2 N	2500A	40/10x4	40/10x2	40/5x2
1/1 N	2500A	40/10x4	40/10x4	40/10x2
1/2 N	3000A	50/10x4	50/10x2	50/5x2
1/1 N	3000A	50/10x4	50/10x4	50/10x2
1/2 N	3400A	60/10x4	60/10x2	60/5x2
1/1 N	3400A	60/10x4	60/10x4	60/10x2
1/2 N	4000A	80/10x4	80/10x2	40/10x2
1/1 N	4000A	80/10x4	80/10x4	80/10x2

■ NO 2: SHORT CIRCUIT STRENGTH



■ NO 3: EARTHING CONFIGURATION



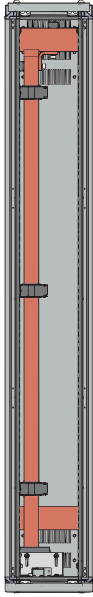
Selection Code	Power Supply Form (Size Scale of N)	Sections of Main Phases (L1/L2/L3) : 1		
		Main Busbar Size: A	Vertical Distribution Busbar Size: B	Cabling Module (Based from Vertical Busbar)
01	TN-S (1/1)	$N(A/1) + PE(A/2)$	$L1+L2+L3+N(B/1)$	$PE(B/2)$
02	TN-S (1/2)	$N(A/2) + PE(A/4)$	$L1+L2+L3$	$N(B/2) + PE(B/4)$
03	TN-C (PEN) (1/2)	$PEN(A/2) + PE$	$L1+L2+L3$	$PEN(B/2)$
04	TN-C-S (1/2)	$PEN(A/2) + PE(A/4)$	$L1+L2+L3$	$(TN-C : PEN(B/2)) + (TN-S : N(B/2) + PE(B/4))$
05	TT (1/1)	$N(A/1) + PE$	$L1+L2+L3+N(B/1)$	NONE
06	TT (1/2)	$N(A/2) + PE$	$L1+L2+L3$	$N(B/2)$
07	IT	$PE(A/4)$	$L1+L2+L3$	$PE(B/4)$

N: Neutral PE: Earthing PEN: N+PE

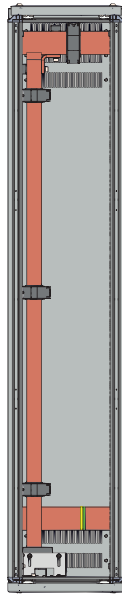
! Note : See for more details about power supply forms: Section C, Item 3. Equipotentiality and electrical continuity

NO 4: MODULE WIDTH

300mm Width

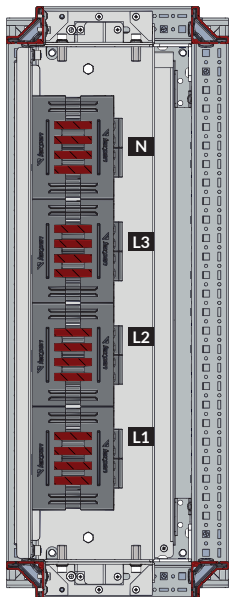
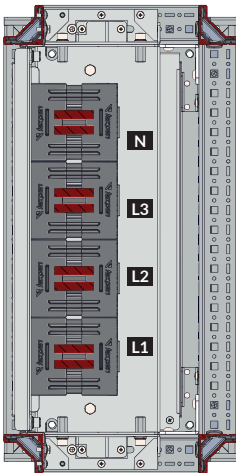


400mm Width



- 400A-2300A Vertical busbars are only available for 400mm width module. Rest of the vertical busbars can be load in both width sizes.
- Tekpan recommends to use 400mm width module for easy assembling of busbars from vertical to the feeders.

NO 5: VERTICAL BUSBAR



AMBIANCE TEMP : 25°C , HEATING TEMP : 30°C , 50 Hz A.C.

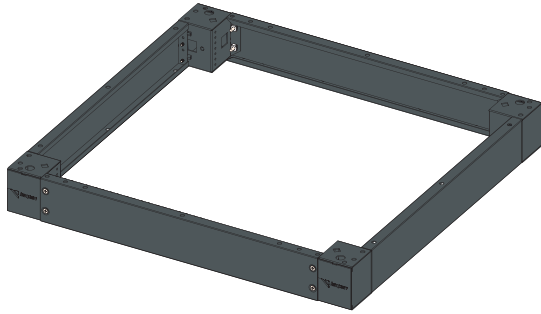
Module Depth	Rated Current (In)	Flat Copper Size (mm) x Qty	
		L1/L2/L3	Neutral(N)
600D/800D	495A	20/5x2	20/5x2
600D/800D	700A	30/5x2	30/5x2
600D/800D	900A	40/5x2	40/5x2
600D/800D	1100A	50/5x2	50/5x2
600D/800D	1300A	60/5x2	60/5x2
600D/800D	1350A	40/10x2	40/10x2
600D/800D	1620A	50/10x2	50/10x2
600D/800D	1860A	60/10x2	60/10x2
600D/800D	2300A	80/10x2	80/10x2
800D	2500A	40/10x4	40/10x4
800D	3000A	50/10x4	50/10x4
800D	3400A	60/10x4	60/10x4
800D	4000A	80/10x4	80/10x4

! Note : 4 Phases vertical busbar position (L1+L2+L3+N) is valid in only TN-S(1/1) and TT (1/1), configurations in NO 3. Please see at Earthing System

■ **OPTIONAL PARTS**

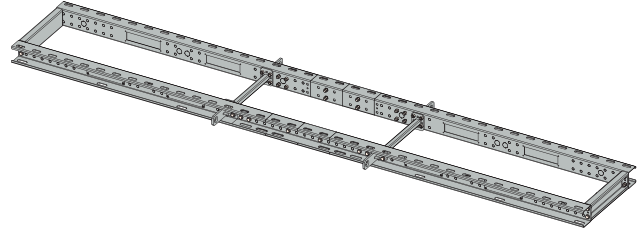
PLINTH / BASE

Modular Plinth



- Two options in height: 100mm or 200mm
- For transportation of switchboard, top hooks must to use.

Extendable Block Plinth

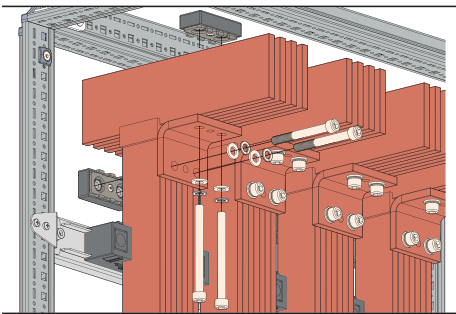
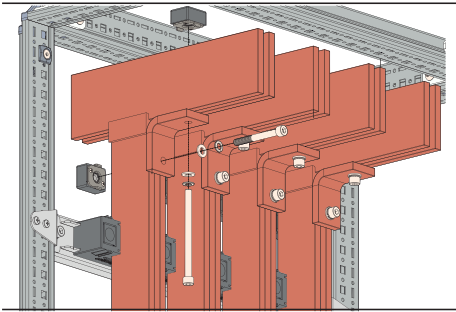


- Only option in height : 100mm
- Modules can fix directly on it. Means it is also joining part for modules
- Thanks to hooks on it, it can be use as a transportation part for the group of switchboard.
- In tight ceiling situations, it can be move with roll bars.

● **Plinths are optional products.** They are not included configurations. Must be select additionally. Check the selection guide.

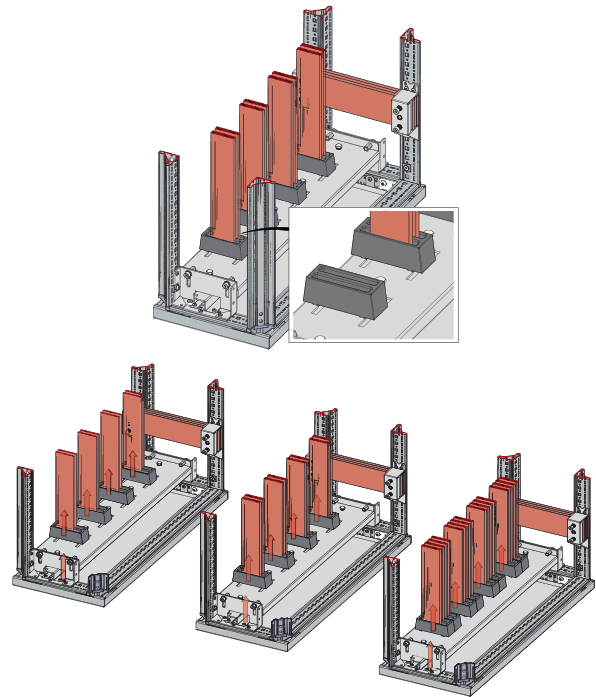
■ **INSTALLATION OF VERTICAL BUSBAR**

Busbar Connections from Main Busbar to Vertical Busbar



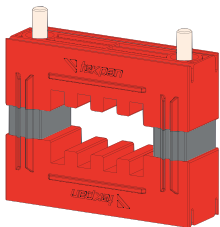
Between vertical busbar and main busbar there is an adapter part to reach full contact of each other. This adapter and busbars are fixing each other by connection kit.

Bottom Mounting Kit



Vertical busbars are supporting from bottom thanks to 'Bottom Mounting Kit'. This is helping to push up the vertical busbars and also carrying them with adjustable.

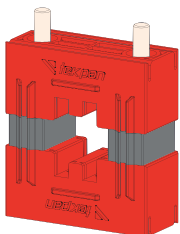
Vertical Busbar Holders and Busbar Sections



2500A ~ 4000A



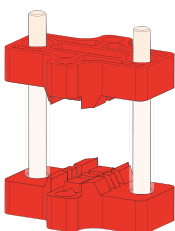
4 x 10mm Sections of flat bars



1350A ~ 2300A



2 x 10mm Sections of flat bars



495A ~ 1300A

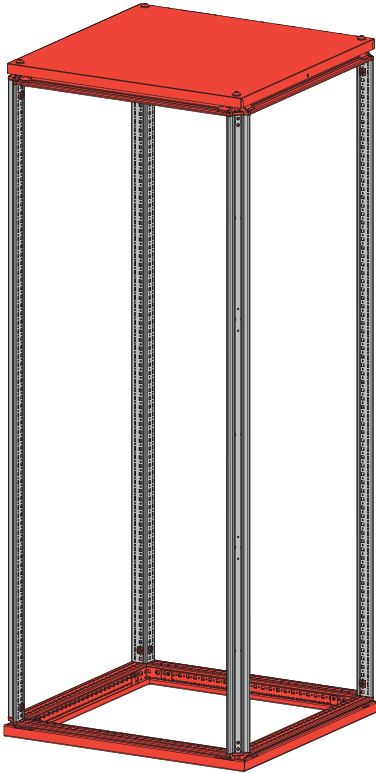


2 x 5mm Sections of flat bars



■ 1.MAIN FRAME

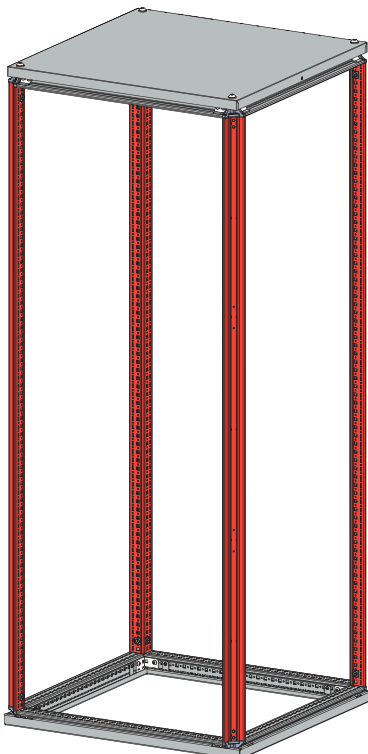
■ 1.1 TOP&BOTTOM GROUP



WIDTH(W)	DEPTH(D)	REF. NO.	REQUIRED QTY. (set)	
300	600	1001.362	1	1350A~2300A
400	600	1001.462	1	
300	800	1001.382	1	2500A~4000A
400	800	1001.482	1	

● Package includes **1x Upper Frame, 1x Bottom Frame, Assembly Parts.**

■ 1.2 VERTICAL FRAME GROUP

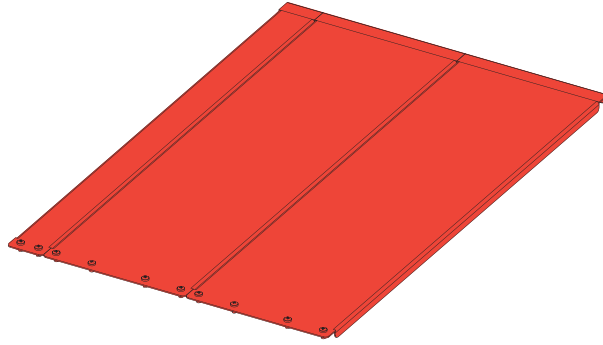
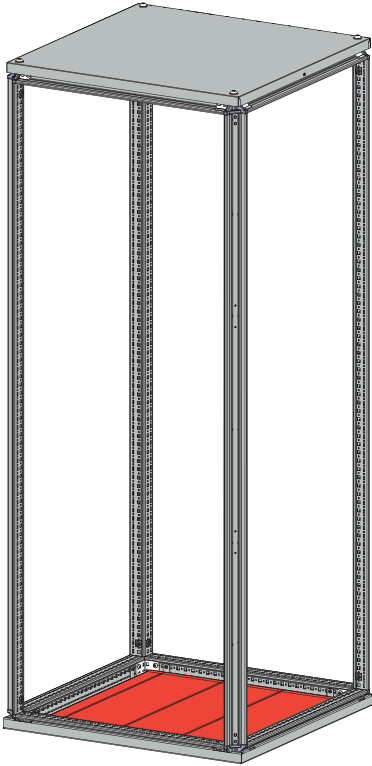


HEIGHT(H)	REF. NO.	REQUIRED QTY. (set)
2000	702.200	1

● Package includes **1 Set=4 pcs. Vertical Profile.**



■ 1.3 BLANK GLAND PLATE



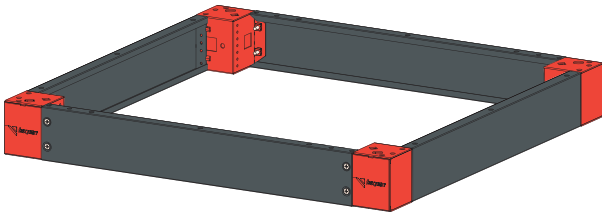
WIDTH(W)	DEPTH(D)	REF. NO.	REQUIRED QTY. (set)
300	600	1005.136	1
400	600	1005.146	1
300	800	1005.138	1
400	800	1005.148	1

● Package includes **1 Set=2 pcs. Gland Plates** related with Width.



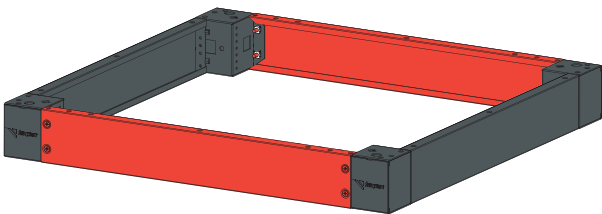
■ 1.4 PLINTH/BASE

■ 1.4.1 MODULAR PLINTH/BASE



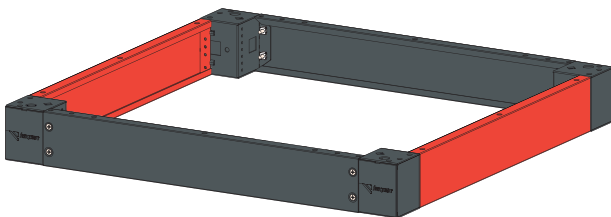
HEIGHT(H)	REF. NO.	REQUIRED QTY. (set)
100	708.100	1
200	708.200	1

- Package includes **1 Set=4 pcs. 100mm/200mm Height Plinth Corner, 4 pcs. Plastic Cover.**



WIDHT(W)	REF. NO.	REQUIRED QTY. (set)
300	709.130	1
400	709.140	1

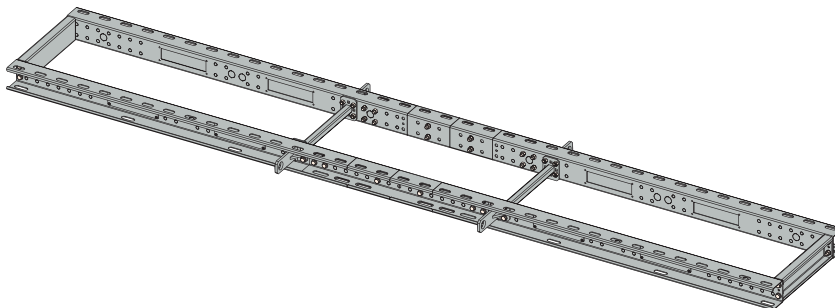
- Package includes **1 Set=2 pcs. 100mm Height Front Cover.**
- **2 Set (4 Pieces)** needed for 200H Plinth.



DEPTH(REF. NO.	REQUIRED QTY. (set)
600	710.160	1
800	710.180	1

- Package includes **1 Set=2 pcs. 100mm Height Side Cover.**
- **2 Set (4 Pieces)** needed for 200H Plinth.

■ 1.4.2 EXTENDABLE PLINTH/BASE

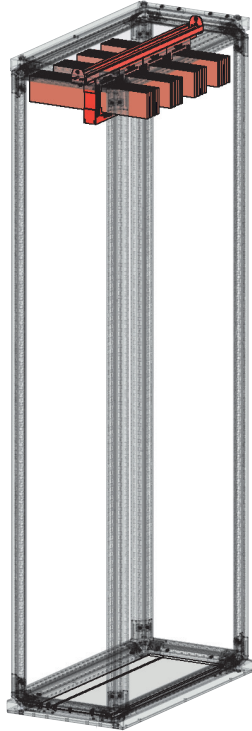


- **Extendable Plinth / Base** should be selected for buying group sections. Check page 6 at A4 Accessories Guide.

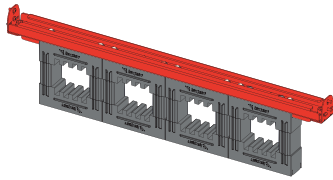


2. BUSBAR

2.1 BUSBAR RAIL KIT (TOP)



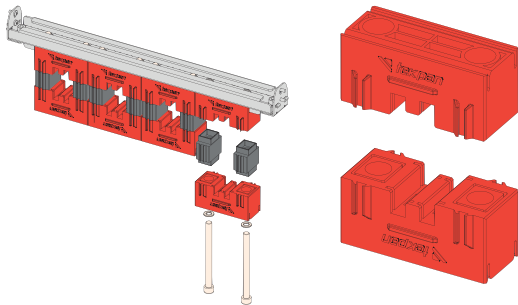
WIDTH(W)	DEPTH(D)	REF. NO.	PACKAGE QTY. (pcs.)	REQUIRED QTY. (pcs.)	Icw (kA)
400	600	1010.160	2 pcs.	1	65 kA/85 kA
400	800	1010.180	2 pcs.	1	



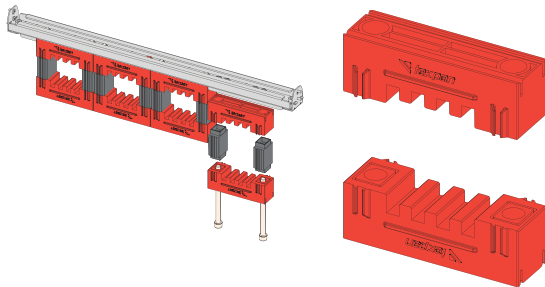
- This part need for only 400 Width Panels.
- For Ref.No quantity = Required Qty. / Package Qty.
- If your required quantity is less than package quantity; please select the Reference no with suitable package quantity.
- Please check your design/project for Icw value.

2.2 BUSBAR HOLDERS (TOP)

2.2.1 MAIN HOLDER (L1, L2, L3)



BUSBAR POWER(A)	REF. NO.	PACKAGE QTY. (pcs.)	REQUIRED QTY. (pcs.)	Icw (kA)
2300	1009.012	6 pcs.	6	65 kA
1860	1009.012	6 pcs.	6	
1620	1009.012	6 pcs.	6	
1350	1009.012	6 pcs.	6	
2300	1009.012	6 pcs.	6	85 kA
1860	1009.012	6 pcs.	6	
1620	1009.012	6 pcs.	6	
1350	1009.012	6 pcs.	6	



BUSBAR POWER(A)	REF. NO.	PACKAGE QTY. (pcs.)	REQUIRED QTY. (pcs.)	Icw (kA)
4000	1009.011	6 pcs.	6	65 kA
3400	1009.011	6 pcs.	6	
3000	1009.011	6 pcs.	6	
2500	1009.011	6 pcs.	6	
4000	1009.011	6 pcs.	6	85 kA
3400	1009.011	6 pcs.	6	
3000	1009.011	6 pcs.	6	
2500	1009.011	6 pcs.	6	

- This part need for only 400 Width Panels.
- For Ref.No quantity = Required Qty. / Package Qty.
- If your required quantity is less than package quantity; please select the Reference no with suitable package quantity.
- Please check your design/project for Icw value.

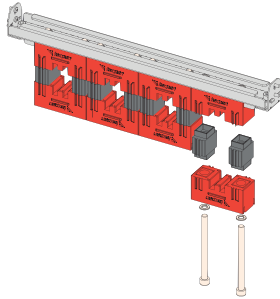
For Multiple Order:

INFO	REF. NO.	PACKAGE QTY. (pcs.)
4 Flat Bar	1009.021	48 pcs.
2 Flat Bar	1009.022	48 pcs.

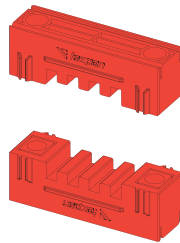
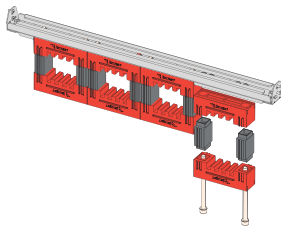


2.2.2 MAIN HOLDERS (NEUTRAL)

2.2.2.1 MAIN HOLDER (NEUTRAL 1/1 SECTION)



BUSBAR POWER(A)	REF. NO.	PACKAGE QTY. (pcs.)	REQUIRED QTY. (pcs.)	Icw (kA)
2300	1009.002	2 pcs.	2	65 kA
1860	1009.002	2 pcs.	2	
1620	1009.002	2 pcs.	2	
1350	1009.002	2 pcs.	2	
2300	1009.002	2 pcs.	2	85 kA
1860	1009.002	2 pcs.	2	
1620	1009.002	2 pcs.	2	
1350	1009.002	2 pcs.	2	



BUSBAR POWER(A)	REF. NO.	PACKAGE QTY. (pcs.)	REQUIRED QTY. (pcs.)	Icw (kA)
4000	1009.001	2 pcs.	2	65 kA
3400	1009.001	2 pcs.	2	
3000	1009.001	2 pcs.	2	
2500	1009.001	2 pcs.	2	
4000	1009.001	2 pcs.	2	85 kA
3400	1009.001	2 pcs.	2	
3000	1009.001	2 pcs.	2	
2500	1009.001	2 pcs.	2	

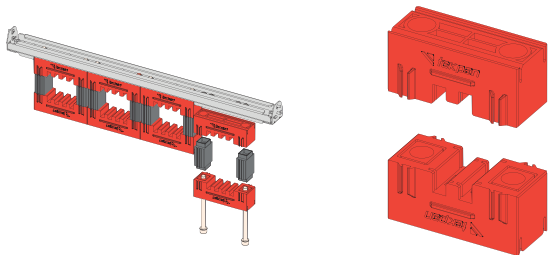
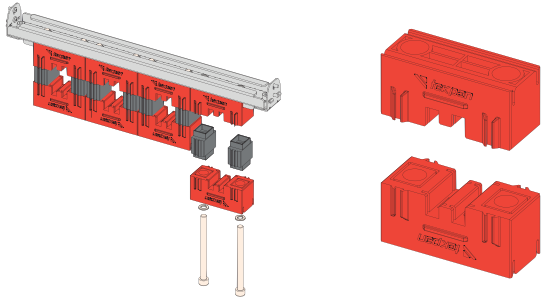
- This part need for only 400 Width Panels.
- For Ref.No quantity = Required Qty. / Package Qty.
- If your required quantity is less than package quantity; please select the Reference no with suitable package quantity.
- TN-S(1/1), TT(1/1) systems must be used NEUTRAL (1/1) section.

For Multiple Order:

INFO	REF. NO.	PACKAGE QTY. (pcs.)
4 Flat Bar	1009.011	6 pcs.
	1009.021	48 pcs.
2 Flat Bar	1009.012	6 pcs.
	1009.022	48 pcs.



■ 2.2.2.2 MAIN HOLDER (NEUTRAL 1/2 SECTION)



BUSBAR POWER(A)	REF. NO.	PACKAGE QTY. (pcs.)	REQUIRED QTY. (pcs.)	Icw (kA)
2300	1009.002	2 pcs.	2	65 kA
1860	1009.002	2 pcs.	2	
1620	1009.002	2 pcs.	2	
1350	1009.002	2 pcs.	2	
2300	1009.002	2 pcs.	2	85 kA
1860	1009.002	2 pcs.	2	
1620	1009.002	2 pcs.	2	
1350	1009.002	2 pcs.	2	

BUSBAR POWER(A)	REF. NO.	PACKAGE QTY. (pcs.)	REQUIRED QTY. (pcs.)	Icw (kA)
4000	1009.002	2 pcs.	2	65 kA
3400	1009.002	2 pcs.	2	
3000	1009.002	2 pcs.	2	
2500	1009.002	2 pcs.	2	
4000	1009.002	2 pcs.	2	85 kA
3400	1009.002	2 pcs.	2	
3000	1009.002	2 pcs.	2	
2500	1009.002	2 pcs.	2	

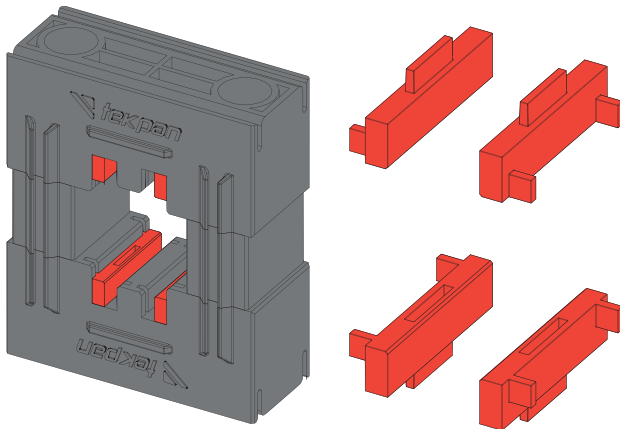
- This part need for only 400 Width Panels.
- For **Ref.No quantity = Required Qty. / Package Qty.**
- If your required quantity is less than package quantity; please select the Reference no with suitable package quantity.
- **Please check** your design/project for Icw value.
- **TN-S(1/2), TN-C (PEN)(1/2), TN-C-S(1/2), TT(1/2)** systems must be used **NEUTRAL (1/2)** section.

For Multiple Order:

INFO	REF. NO.	PACKAGE QTY. (pcs.)
2 Flat Bar	1009.012	6 pcs.
	1009.022	48 pcs.



2.2.3 MAIN HOLDER ADAPTER (NEUTRAL)



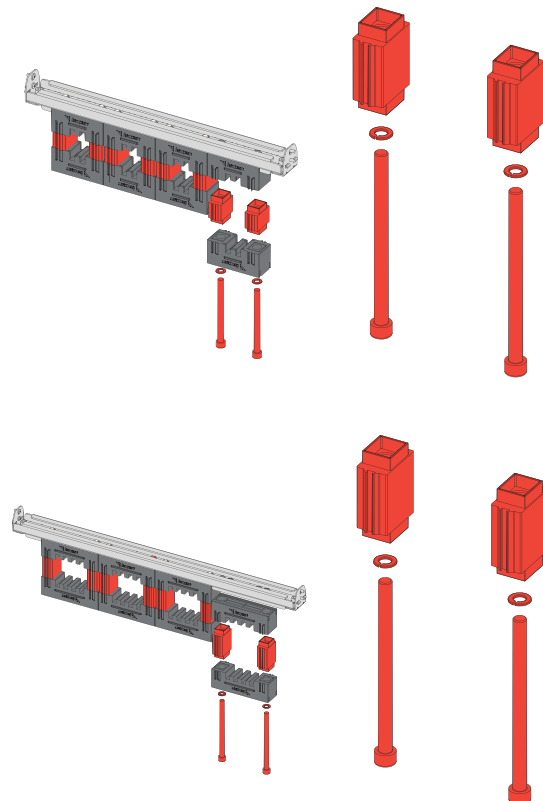
BUSBAR POWER(A)	REF. NO.	PACKAGE QTY. (pcs.)	REQUIRED QTY. (pcs.)	Icw (kA)
1860	1019.001	4 pcs.	4	65 kA
1620	1019.001	4 pcs.	4	
1350	1019.001	4 pcs.	4	
1860	1019.001	4 pcs.	4	85 kA
1620	1019.001	4 pcs.	4	
1350	1019.001	4 pcs.	4	

For Multiple Order:

REF. NO.	PACKAGE QTY. (pcs.)
1019.011	24 pcs.

- This part need for only 400 Width Panels.
- For **Ref.No quantity = Required Qty. / Package Qty.**
- If your required quantity is less than package quantity; please select the Reference no with suitable package quantity.
- **Please check** your design/project for Icw value.
- **TN-S(1/2), TN-C (PEN)(1/2), TN-C-S(1/2), TT(1/2)** systems must be used **NEUTRAL (1/2)** section.

2.2.4 HOLDER HEIGHTS (L1, L2, L3)



BUSBAR POWER(A)	REF. NO.	PACKAGE QTY. (pcs.)	REQUIRED QTY. (pcs.)	Icw (kA)
2300	1011.108	6 pcs.	6	65 kA
1860	1011.106	6 pcs.	6	
1620	1011.105	6 pcs.	6	
1350	1011.104	6 pcs.	6	
2300	1011.108	6 pcs.	6	85 kA
1860	1011.106	6 pcs.	6	
1620	1011.105	6 pcs.	6	
1350	1011.104	6 pcs.	6	

BUSBAR POWER(A)	REF. NO.	PACKAGE QTY. (pcs.)	REQUIRED QTY. (pcs.)	Icw (kA)
4000	1011.108	6 pcs.	6	65 kA
3400	1011.106	6 pcs.	6	
3000	1011.105	6 pcs.	6	
2500	1011.104	6 pcs.	6	
4000	1011.108	6 pcs.	6	85 kA
3400	1011.106	6 pcs.	6	
3000	1011.105	6 pcs.	6	
2500	1011.104	6 pcs.	6	

For Multiple Order:

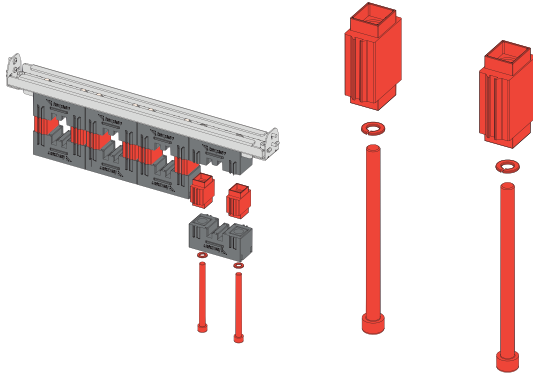
HEIGHT(H)	REF. NO.	PACKAGE QTY. (pcs.)
40H	1011.204	48 pcs.
50H	1011.205	48 pcs.
60H	1011.206	48 pcs.
80H	1011.208	48 pcs.

- This part need for only 400 Width Panels.
- For **Ref.No quantity = Required Qty. / Package Qty.**
- If your required quantity is less than package quantity; please select the Reference no with suitable package quantity.
- **Please check** your design/project for Icw value.

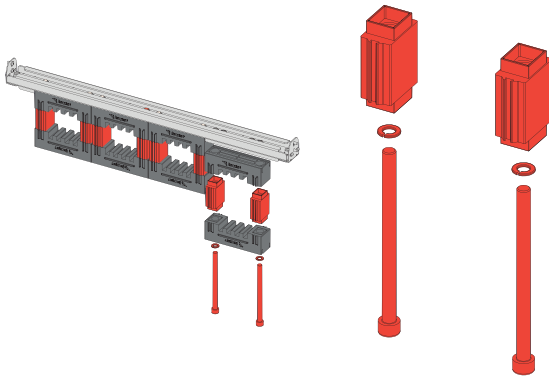


■ 2.2.5 HOLDER HEIGHTS (NEUTRAL)

■ 2.2.5.1 HOLDER HEIGHTS (NEUTRAL 1/1 SECTION)



BUSBAR POWER(A)	REF. NO.	PACKAGE QTY. (pcs.)	REQUIRED QTY. (pcs.)	Icw (kA)
2300	1011.008	2 pcs.	2	65 kA
1860	1011.006	2 pcs.	2	
1620	1011.005	2 pcs.	2	
1350	1011.004	2 pcs.	2	
2300	1011.008	2 pcs.	2	85 kA
1860	1011.006	2 pcs.	2	
1620	1011.005	2 pcs.	2	
1350	1011.004	2 pcs.	2	



BUSBAR POWER(A)	REF. NO.	PACKAGE QTY. (pcs.)	REQUIRED QTY. (pcs.)	Icw (kA)
4000	1011.008	2 pcs.	2	65 kA
3400	1011.006	2 pcs.	2	
3000	1011.005	2 pcs.	2	
2500	1011.004	2 pcs.	2	
4000	1011.008	2 pcs.	2	85 kA
3400	1011.006	2 pcs.	2	
3000	1011.005	2 pcs.	2	
2500	1011.004	2 pcs.	2	

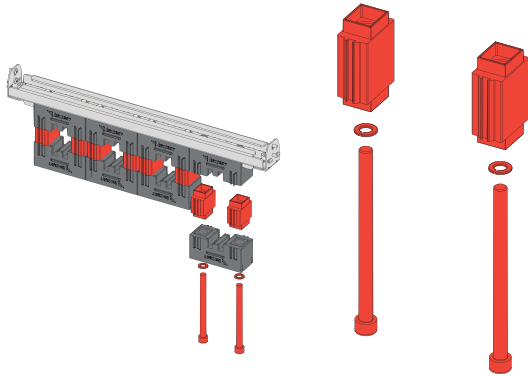
- This part need for only 400 Width Panels.
- For Ref.No quantity = Required Qty. / Package Qty.
- If your required quantity is less than package quantity; please select the Reference no with suitable package quantity.
- Please check your design/project for Icw value.
- TN-S(1/1), TT(1/1) systems must be used NEUTRAL (1/1) section.

For Multiple Order:

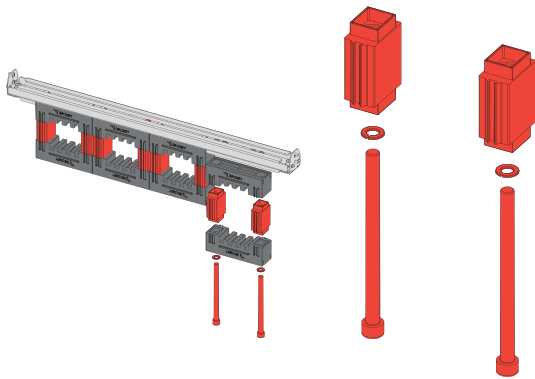
INFO	REF. NO.	PACKAGE QTY. (pcs.)
40H	1011.104	6 pcs.
	1011.204	48 pcs.
50H	1011.105	6 pcs.
	1011.205	48 pcs.
60H	1011.106	6 pcs.
	1011.206	48 pcs.
80H	1011.108	6 pcs.
	1011.208	48 pcs.



2.2.5.2 HOLDER HEIGHTS (NEUTRAL 1/2 SECTION)



BUSBAR POWER(A)	REF. NO.	PACKAGE QTY. (pcs.)	REQUIRED QTY. (pcs.)	Icw (kA)
2300	1011.004	2 pcs.	2	65 kA
1860	1011.006	2 pcs.	2	
1620	1011.005	2 pcs.	2	
1350	1011.004	2 pcs.	2	
2300	1011.004	2 pcs.	2	85 kA
1860	1011.006	2 pcs.	2	
1620	1011.005	2 pcs.	2	
1350	1011.004	2 pcs.	2	



BUSBAR POWER(A)	REF. NO.	PACKAGE QTY. (pcs.)	REQUIRED QTY. (pcs.)	Icw (kA)
4000	1011.008	2 pcs.	2	65 kA
3400	1011.006	2 pcs.	2	
3000	1011.005	2 pcs.	2	
2500	1011.004	2 pcs.	2	
4000	1011.008	2 pcs.	2	85 kA
3400	1011.006	2 pcs.	2	
3000	1011.005	2 pcs.	2	
2500	1011.004	2 pcs.	2	

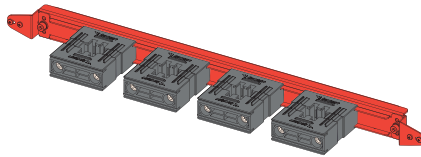
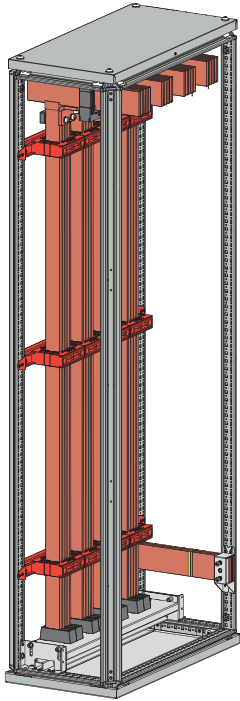
- **This part need for only 400 Width Panels.**
- For **Ref.No quantity = Required Qty. / Package Qty.**
- If your required quantity is less than package quantity; please select the Reference no with suitable package quantity.
- **Please check** your design/project for Icw value.
- **TN-S(1/2), TN-C (PEN)(1/2), TN-C-S(1/2), TT(1/2)** systems must be used **NEUTRAL (1/2)** section.

For Multiple Order:

INFO	REF. NO.	PACKAGE QTY. (pcs.)
40H	1011.104	6 pcs.
	1011.204	48 pcs.
50H	1011.105	6 pcs.
	1011.205	48 pcs.
60H	1011.106	6 pcs.
	1011.206	48 pcs.
80H	1011.108	6 pcs.
	1011.208	48 pcs.



■ 2.3 BUSBAR RAIL KIT (VERTICAL)



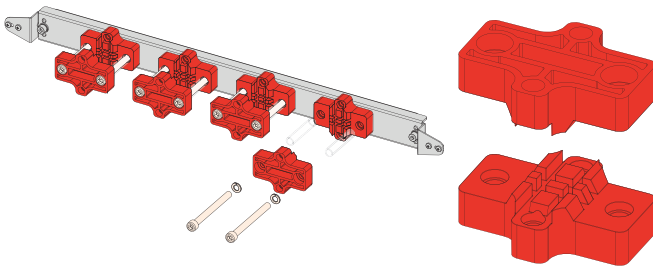
DEPTH(D)	REF. NO.	PACKAGE QTY. (pcs.)	REQUIRED QTY. (pcs.)	Icw (kA)
600	1010.360	2 pcs.	4	65 kA
800	1010.480	2 pcs.	4	
800	1010.380	2 pcs.	4	
600	1010.360	2 pcs.	6	85 kA
800	1010.480	2 pcs.	6	
800	1010.380	2 pcs.	6	

For Multiple Order:

DEPTH(D)	REF. NO.	PACKAGE QTY. (pcs.)
600	1010.361	12 pcs.
800	1010.381	12 pcs.
	1010.481	12 pcs.

■ 2.4 BUSBAR HOLDERS (VERTICAL)

■ 2.4.1 MAIN HOLDER (L1, L2, L3)



BUSBAR POWER(A)	REF. NO.	PACKAGE QTY. (pcs.)	REQUIRED QTY. (pcs.)	Icw (kA)
1300	1009.016	6 pcs.	24	65 kA
1100	1009.016	6 pcs.	24	
900	1009.016	6 pcs.	24	
700	1009.016	6 pcs.	24	
495	1009.016	6 pcs.	24	
1300	1009.016	6 pcs.	36	85 kA
1100	1009.016	6 pcs.	36	
900	1009.016	6 pcs.	36	
700	1009.016	6 pcs.	36	
495	1009.016	6 pcs.	36	

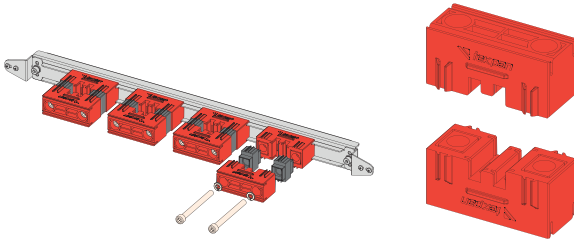
For Multiple Order:

INFO	REF. NO.	PACKAGE QTY. (pcs.)
2 Flat Bar	1009.026	48 pcs.

- For **Ref.No quantity = Required Qty. / Package Qty.**
- If your required quantity is less than package quantity; please select the Reference no with suitable package quantity.
- **Please check** your design/project for Icw value.



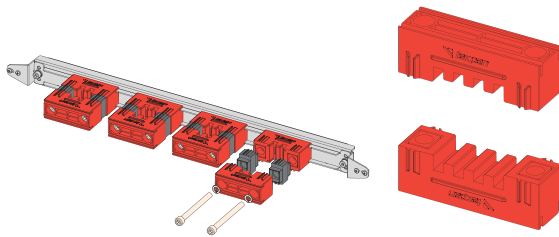
2.4.1 MAIN HOLDER (L1, L2, L3)



BUSBAR POWER(A)	REF. NO.	PACKAGE QTY. (pcs.)	REQUIRED QTY. (pcs.)	Icw (kA)
2300	1009.012	6 pcs.	24	65 kA
1860	1009.012	6 pcs.	24	
1620	1009.012	6 pcs.	24	
1350	1009.012	6 pcs.	24	
2300	1009.012	6 pcs.	36	85 kA
1860	1009.012	6 pcs.	36	
1620	1009.012	6 pcs.	36	
1350	1009.012	6 pcs.	36	

For Multiple Order:

INFO	REF. NO.	PACKAGE QTY. (pcs.)
2 Flat Bar	1009.022	48 pcs.



BUSBAR POWER(A)	REF. NO.	PACKAGE QTY. (pcs.)	REQUIRED QTY. (pcs.)	Icw (kA)
4000	1009.011	6 pcs.	24	65 kA
3400	1009.011	6 pcs.	24	
3000	1009.011	6 pcs.	24	
2500	1009.011	6 pcs.	24	
4000	1009.011	6 pcs.	36	85 kA
3400	1009.011	6 pcs.	36	
3000	1009.011	6 pcs.	36	
2500	1009.011	6 pcs.	36	

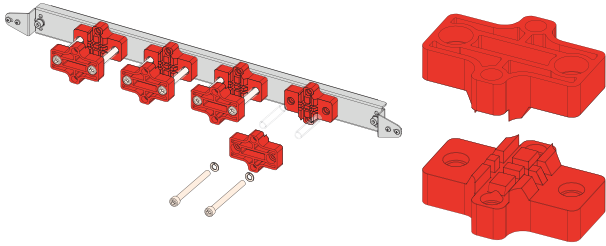
For Multiple Order:

INFO	REF. NO.	PACKAGE QTY. (pcs.)
4 Flat Bar	1009.021	48 pcs.

- For **Ref.No quantity** = **Required Qty. / Package Qty.**
- If your required quantity is less than package quantity; please select the Reference no with suitable package quantity.
- **Please check** your design/project for Icw value.



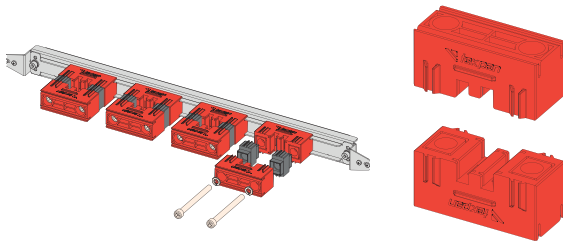
■ 2.4.2 MAIN HOLDERS (NEUTRAL)



BUSBAR POWER(A)	REF. NO.	PACKAGE QTY. (pcs.)	REQUIRED QTY. (pcs.)	Icw (kA)
1300	1009.006	2 pcs.	8	65 kA
1100	1009.006	2 pcs.	8	
900	1009.006	2 pcs.	8	
700	1009.006	2 pcs.	8	
495	1009.006	2 pcs.	8	
1300	1009.006	2 pcs.	12	85 kA
1100	1009.006	2 pcs.	12	
900	1009.006	2 pcs.	12	
700	1009.006	2 pcs.	12	
495	1009.006	2 pcs.	12	

For Multiple Order:

INFO	REF. NO.	PACKAGE QTY. (pcs.)
2 Flat Bar (5 mm)	1009.016	6 pcs.
	1009.026	48 pcs.



BUSBAR POWER(A)	REF. NO.	PACKAGE QTY. (pcs.)	REQUIRED QTY. (pcs.)	Icw (kA)
2300	1009.002	2 pcs.	8	65 kA
1860	1009.002	2 pcs.	8	
1620	1009.002	2 pcs.	8	
1350	1009.002	2 pcs.	8	
2300	1009.002	2 pcs.	12	85 kA
1860	1009.002	2 pcs.	12	
1620	1009.002	2 pcs.	12	
1350	1009.002	2 pcs.	12	

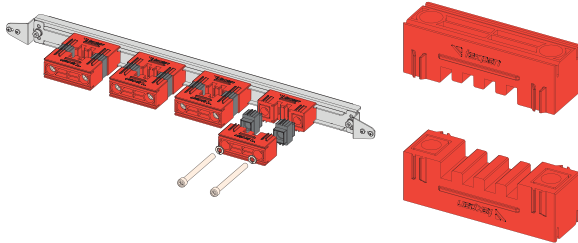
For Multiple Order:

INFO	REF. NO.	PACKAGE QTY. (pcs.)
2 Flat Bar	1009.012	6 pcs.
	1009.022	48 pcs.

- For **Ref.No quantity = Required Qty. / Package Qty.**
- If your required quantity is less than package quantity; please select the Reference no with suitable package quantity.
- **Please check** your design/project for Icw value.
- **TN-S(1/1), TT(1/1)** systems must be used **NEUTRAL (1/1)** section.



2.4.2 MAIN HOLDERS (NEUTRAL)



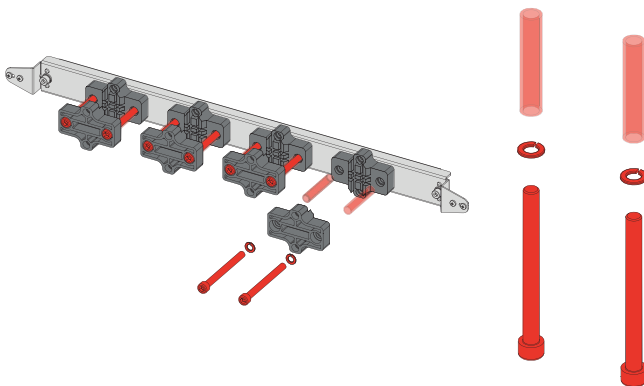
BUSBAR POWER(A)	REF. NO.	PACKAGE QTY. (pcs.)	REQUIRED QTY. (pcs.)	Icw (kA)
4000	1009.001	2 pcs.	8	65 kA
3400	1009.001	2 pcs.	8	
3000	1009.001	2 pcs.	8	
2500	1009.001	2 pcs.	8	
4000	1009.001	2 pcs.	12	85 kA
3400	1009.001	2 pcs.	12	
3000	1009.001	2 pcs.	12	
2500	1009.001	2 pcs.	12	

For Multiple Order:

INFO	REF. NO.	PACKAGE QTY. (pcs.)
4 Flat Bar	1009.011	6 pcs.
	1009.021	48 pcs.

- For **Ref.No quantity = Required Qty. / Package Qty.**
- If your required quantity is less than package quantity; please select the Reference no with suitable package quantity.
- **Please check** your design/project for Icw value.
- **TN-S(1/1), TT(1/1)** systems must be used **NEUTRAL (1/1)** section.

2.4.3 HOLDER HEIGHTS (L1, L2, L3)

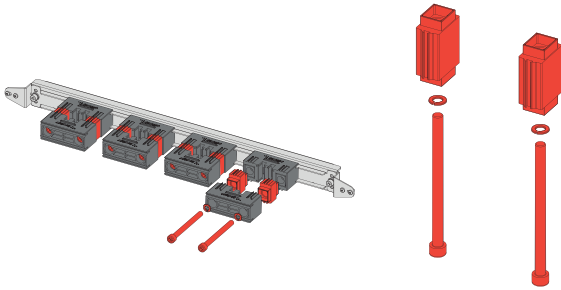


BUSBAR POWER(A)	REF. NO.	PACKAGE QTY. (pcs.)	REQUIRED QTY. (pcs.)	Icw (kA)
1300	1044.160	6 pcs.	24	65 kA
1100	1044.150	6 pcs.	24	
900	1044.140	6 pcs.	24	
700	1044.130	6 pcs.	24	
495	1044.120	6 pcs.	24	
1300	1044.160	6 pcs.	36	85 kA
1100	1044.150	6 pcs.	36	
900	1044.140	6 pcs.	36	
700	1044.130	6 pcs.	36	
495	1044.120	6 pcs.	36	

- For **Ref.No quantity = Required Qty. / Package Qty.**
- If your required quantity is less than package quantity; please select the Reference no with suitable package quantity.
- **Please check** your design/project for Icw value.

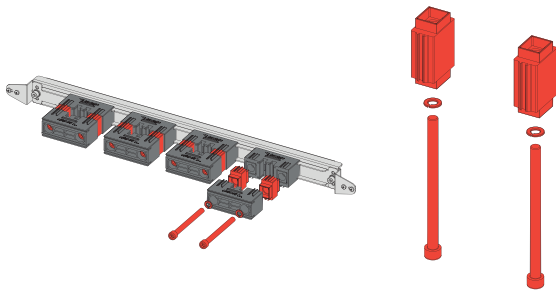


■ 2.4.3 HOLDER HEIGHTS (L1, L2, L3)



BUSBAR POWER(A)	REF. NO.	PACKAGE QTY. (pcs.)	REQUIRED QTY. (pcs.)	Icw (kA)
2300	1011.108	6 pcs.	24	65 kA
1860	1011.106	6 pcs.	24	
1620	1011.105	6 pcs.	24	
1350	1011.104	6 pcs.	24	
2300	1011.108	6 pcs.	36	85 kA
1860	1011.106	6 pcs.	36	
1620	1011.105	6 pcs.	36	
1350	1011.104	6 pcs.	36	

- For **Ref.No quantity = Required Qty. / Package Qty.**
- If your required quantity is less than package quantity; please select the Reference no with suitable package quantity.
- **Please check** your design/project for Icw value.



BUSBAR POWER(A)	REF. NO.	PACKAGE QTY. (pcs.)	REQUIRED QTY. (pcs.)	Icw (kA)
4000	1011.108	6 pcs.	24	65 kA
3400	1011.106	6 pcs.	24	
3000	1011.105	6 pcs.	24	
2500	1011.104	6 pcs.	24	
4000	1011.108	6 pcs.	36	85 kA
3400	1011.106	6 pcs.	36	
3000	1011.105	6 pcs.	36	
2500	1011.104	6 pcs.	36	

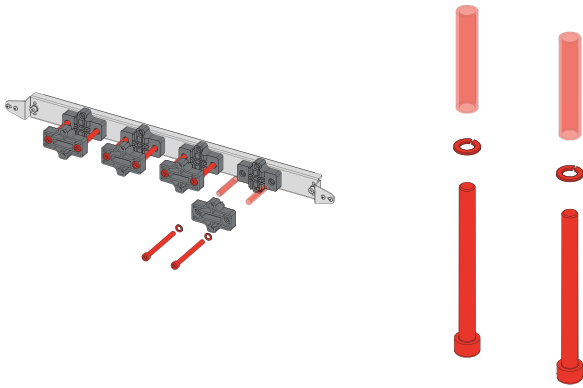
For Multiple Order:

HEIGHT(H)	REF. NO.	PACKAGE QTY. (pcs.)
40H	1011.204	48 pcs.
50H	1011.205	48 pcs.
60H	1011.206	48 pcs.
80H	1011.208	48 pcs.

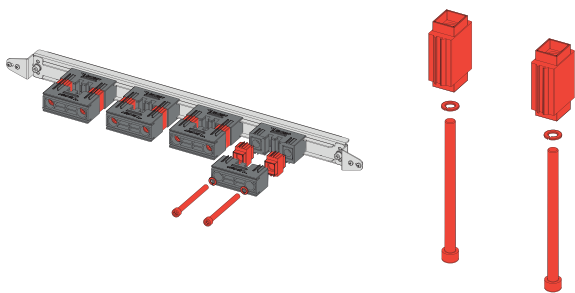
- For **Ref.No quantity = Required Qty. / Package Qty.**
- If your required quantity is less than package quantity; please select the Reference no with suitable package quantity.
- **Please check** your design/project for Icw value.



2.4.4 HOLDER HEIGHTS (NEUTRAL)



BUSBAR POWER(A)	REF. NO.	PACKAGE QTY. (pcs.)	REQUIRED QTY. (pcs.)	Icw (kA)
1300	1044.160	6 pcs.	8	65 kA
1100	1044.150	6 pcs.	8	
900	1044.140	6 pcs.	8	
700	1044.130	6 pcs.	8	
495	1044.120	6 pcs.	8	85 kA
1300	1044.160	6 pcs.	12	
1100	1044.150	6 pcs.	12	
900	1044.140	6 pcs.	12	
700	1044.130	6 pcs.	12	
495	1044.120	6 pcs.	12	



BUSBAR POWER(A)	REF. NO.	PACKAGE QTY. (pcs.)	REQUIRED QTY. (pcs.)	Icw (kA)
2300	1011.008	2 pcs.	8	65 kA
1860	1011.006	2 pcs.	8	
1620	1011.005	2 pcs.	8	
1350	1011.004	2 pcs.	8	
2300	1011.008	2 pcs.	12	85 kA
1860	1011.006	2 pcs.	12	
1620	1011.005	2 pcs.	12	
1350	1011.004	2 pcs.	12	

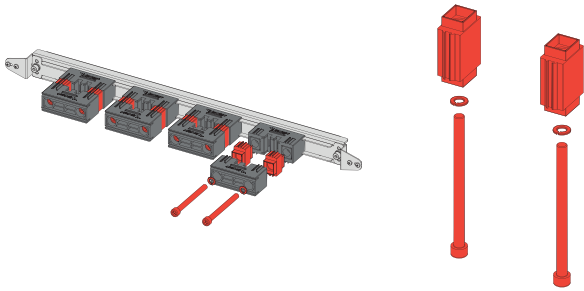
- For **Ref.No quantity = Required Qty. / Package Qty.**
- If your required quantity is less than package quantity; please select the Reference no with suitable package quantity.
- **Please check** your design/project for Icw value.
- **TN-S(1/1), TT(1/1)** systems must be used **NEUTRAL (1/1)** section.

For Multiple Order:

INFO	REF. NO.	PACKAGE QTY. (pcs.)
40H	1011.104	6 pcs.
	1011.204	48 pcs.
50H	1011.105	6 pcs.
	1011.205	48 pcs.
60H	1011.106	6 pcs.
	1011.206	48 pcs.
80H	1011.108	6 pcs.
	1011.208	48 pcs.



■ 2.4.4 HOLDER HEIGHTS (NEUTRAL)



BUSBAR POWER(A)	REF. NO.	PACKAGE QTY. (pcs.)	REQUIRED QTY. (pcs.)	Icw (kA)
4000	1011.008	2 pcs.	8	65 kA
3400	1011.006	2 pcs.	8	
3000	1011.005	2 pcs.	8	
2500	1011.004	2 pcs.	8	
4000	1011.008	2 pcs.	12	85 kA
3400	1011.006	2 pcs.	12	
3000	1011.005	2 pcs.	12	
2500	1011.004	2 pcs.	12	

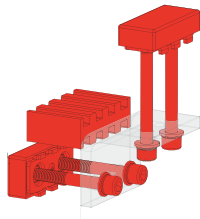
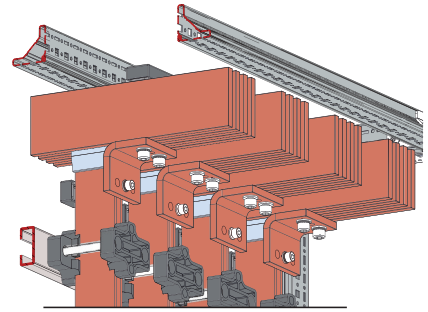
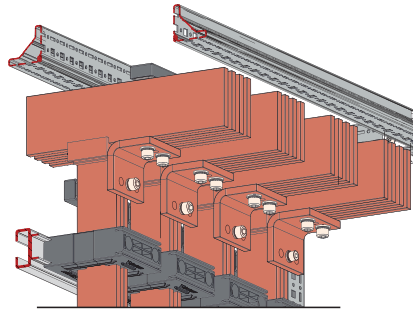
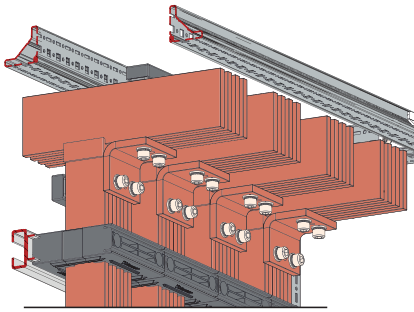
For Multiple Order:

- For **Ref.No quantity = Required Qty. / Package Qty.**
- If your required quantity is less than package quantity; please select the Reference no with suitable package quantity.
- **Please check** your design/project for Icw value.
- **TN-S(1/1), TT(1/1)** systems must be used **NEUTRAL (1/1)** section.

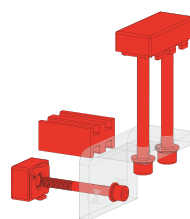
INFO	REF. NO.	PACKAGE QTY. (pcs.)
40H	1011.104	6 pcs.
	1011.204	48 pcs.
50H	1011.105	6 pcs.
	1011.205	48 pcs.
60H	1011.106	6 pcs.
	1011.206	48 pcs.
80H	1011.108	6 pcs.
	1011.208	48 pcs.



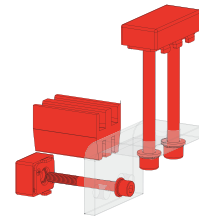
2.4.5 VERTICAL BUSBAR 90 CONNECTIONS (L1,L2,L3,N)



For 4x10mm to 4x10mm



For 4x10mm to 2x10mm



For 4x10mm to 2x5mm

800D	MAIN BUSBAR (A)	VERTICAL BUSBAR (A)	REF. NO.	PACKAGE QTY. (set)	REQUIRED QTY. (set) (L1, L2, L3)	REQUIRED QTY. (set) (NEUTRAL)
	4000	4000	1021.4040	1 set	3	1
	4000	3400	1021.4034	1 set	3	1
	4000	3000	1021.4030	1 set	3	1
	4000	2500	1021.4025	1 set	3	1
	4000	2300	1021.4023	1 set	3	1
	4000	1860	1021.4018	1 set	3	1
	4000	1620	1021.4016	1 set	3	1
	4000	1350	1021.4013	1 set	3	1
	4000	1300	1021.4012	1 set	3	1
	4000	1100	1021.4011	1 set	3	1
	4000	900	1021.4009	1 set	3	1
	4000	700	1021.4007	1 set	3	1
4000	495	1021.4005	1 set	3	1	

800D	MAIN BUSBAR (A)	VERTICAL BUSBAR (A)	REF. NO.	PACKAGE QTY. (set)	REQUIRED QTY. (set) (L1, L2, L3)	REQUIRED QTY. (set) (NEUTRAL)
	3000	3000	1021.3030	1 set	3	1
	3000	2500	1021.3025	1 set	3	1
	3000	2300	1021.3023	1 set	3	1
	3000	1860	1021.3018	1 set	3	1
	3000	1620	1021.3016	1 set	3	1
	3000	1350	1021.3013	1 set	3	1
	3000	1300	1021.3012	1 set	3	1
	3000	1100	1021.3011	1 set	3	1
	3000	900	1021.3009	1 set	3	1
	3000	700	1021.3007	1 set	3	1
	3000	495	1021.3005	1 set	3	1

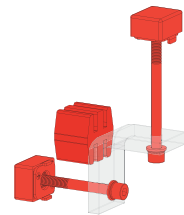
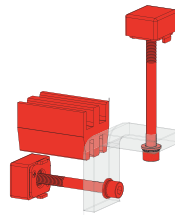
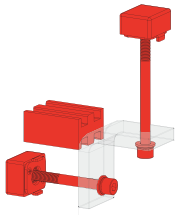
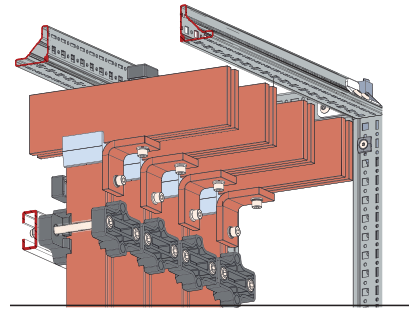
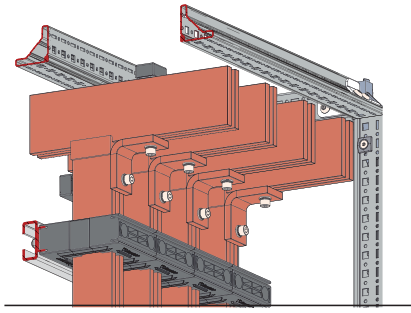
800D	MAIN BUSBAR (A)	VERTICAL BUSBAR (A)	REF. NO.	PACKAGE QTY. (set)	REQUIRED QTY. (set) (L1, L2, L3)	REQUIRED QTY. (set) (NEUTRAL)
	3400	3400	1021.3434	1 set	3	1
	3400	3000	1021.3430	1 set	3	1
	3400	2500	1021.3425	1 set	3	1
	3400	2300	1021.3423	1 set	3	1
	3400	1860	1021.3418	1 set	3	1
	3400	1620	1021.3416	1 set	3	1
	3400	1350	1021.3413	1 set	3	1
	3400	1300	1021.3412	1 set	3	1
	3400	1100	1021.3411	1 set	3	1
	3400	900	1021.3409	1 set	3	1
	3400	700	1021.3407	1 set	3	1
	3400	495	1021.3405	1 set	3	1

800D	MAIN BUSBAR (A)	VERTICAL BUSBAR (A)	REF. NO.	PACKAGE QTY. (set)	REQUIRED QTY. (set) (L1, L2, L3)	REQUIRED QTY. (set) (NEUTRAL)
	2500	2500	1021.2525	1 set	3	1
	2500	2300	1021.2523	1 set	3	1
	2500	1860	1021.2518	1 set	3	1
	2500	1620	1021.2516	1 set	3	1
	2500	1350	1021.2513	1 set	3	1
	2500	1300	1021.2512	1 set	3	1
	2500	1100	1021.2511	1 set	3	1
	2500	900	1021.2509	1 set	3	1
	2500	700	1021.2507	1 set	3	1
	2500	495	1021.2505	1 set	3	1

- Package includes **1 pcs. Copper or Aluminium Adapter, 2 pcs. Flex Connect Part (M8 for 2 Flat Bar/M10 for 4 Flat Bar), Assembly Parts.**
- **Please check** your design/project for lcv value.
- **TN-S(1/1), TT(1/1)** systems must be used **NEUTRAL (1/1)** section.



2.4.5 VERTICAL BUSBAR 90 CONNECTIONS (L1,L2,L3,N)



For 2x10mm to 2x10mm

For 2x10mm to 2x5mm

For 2x5mm to 2x5mm

600D	MAIN BUSBAR (A)	VERTICAL BUSBAR (A)	REF. NO.	PACKAGE QTY. (set)	REQUIRED QTY. (set) (L1, L2, L3)	REQUIRED QTY. (set) (NEUTRAL)
	2300	2300	1021.2323	1 set	3	1
	2300	1860	1021.2318	1 set	3	1
	2300	1620	1021.2316	1 set	3	1
	2300	1350	1021.2313	1 set	3	1
	2300	1300	1021.2312	1 set	3	1
	2300	1100	1021.2311	1 set	3	1
	2300	900	1021.2309	1 set	3	1
	2300	700	1021.2307	1 set	3	1
	2300	495	1021.2305	1 set	3	1

600D	MAIN BUSBAR (A)	VERTICAL BUSBAR (A)	REF. NO.	PACKAGE QTY. (set)	REQUIRED QTY. (set) (L1, L2, L3)	REQUIRED QTY. (set) (NEUTRAL)
	1620	1620	1021.1616	1 set	3	1
	1620	1350	1021.1613	1 set	3	1
	1620	1300	1021.1612	1 set	3	1
	1620	1100	1021.1611	1 set	3	1
	1620	900	1021.1609	1 set	3	1
	1620	700	1021.1607	1 set	3	1
	1620	495	1021.1605	1 set	3	1

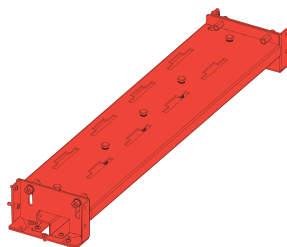
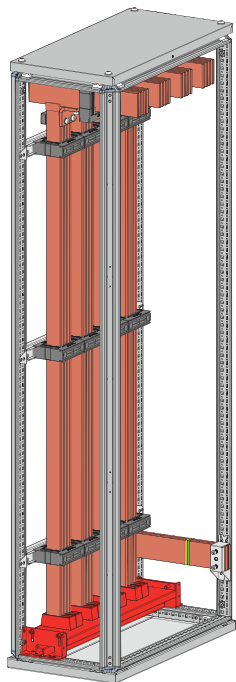
600D	MAIN BUSBAR (A)	VERTICAL BUSBAR (A)	REF. NO.	PACKAGE QTY. (set)	REQUIRED QTY. (set) (L1, L2, L3)	REQUIRED QTY. (set) (NEUTRAL)
	1860	1860	1021.1818	1 set	3	1
	1860	1620	1021.1816	1 set	3	1
	1860	1350	1021.1813	1 set	3	1
	1860	1300	1021.1812	1 set	3	1
	1860	1100	1021.1811	1 set	3	1
	1860	900	1021.1809	1 set	3	1
	1860	700	1021.1807	1 set	3	1
1860	495	1021.1805	1 set	3	1	

600D	MAIN BUSBAR (A)	VERTICAL BUSBAR (A)	REF. NO.	PACKAGE QTY. (set)	REQUIRED QTY. (set) (L1, L2, L3)	REQUIRED QTY. (set) (NEUTRAL)
	1350	1350	1021.1313	1 set	3	1
	1350	1300	1021.1312	1 set	3	1
	1350	1100	1021.1311	1 set	3	1
	1350	900	1021.1309	1 set	3	1
	1350	700	1021.1307	1 set	3	1
	1350	495	1021.1305	1 set	3	1

- Package includes **1 pcs. Copper or Aluminium Adapter, 2 pcs. Flex Connect Part(M8 for 2 Flat Bar/M10 for 4 Flat Bar), Assembly Parts.**
- **Please check** your design/project for Icw value.
- **TN-S(1/1), TT(1/1)** systems must be used **NEUTRAL (1/1)** section.



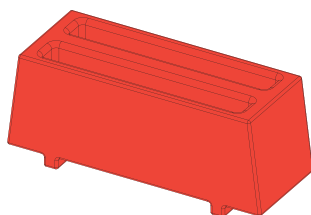
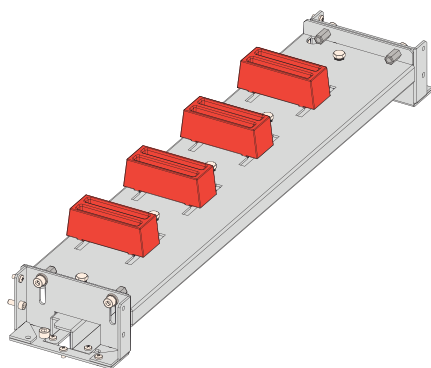
2.4.6 BOTTOM MOUNTING KIT



DEPTH(D)	REF. NO.	PACKAGE QTY. (pcs.)	REQUIRED QTY. (pcs.)
600	1024.260	1 pc.	1
800	1024.280	1 pc.	1

- This design works as a lever for vertical busbar mounting. Connection of the vertical busbar to the main busbar requires less time and effort.

2.4.7 VERTICAL BUSBAR BOTTOM HOLDER



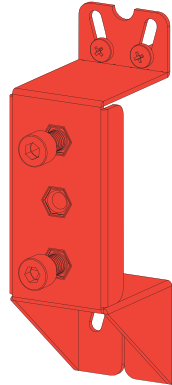
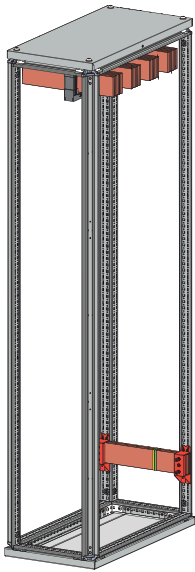
For L1, L2, L3				
DEPTH (D)	VERTICAL BUSBAR (A)	REF. NO.	PACKAGE QTY. (pcs.)	REQUIRED QTY. (pcs.) (L1, L2, L3,N)
800	4000	1012.003	3 pcs.	6
	3400	1012.003	3 pcs.	6
	3000	1012.003	3 pcs.	6
	2500	1012.003	3 pcs.	6
600/800	2300	1012.003	3 pcs.	3
	1860	1012.003	3 pcs.	3
	1620	1012.003	3 pcs.	3
	1350	1012.003	3 pcs.	3
	1300	1012.003	3 pcs.	3
	1100	1012.003	3 pcs.	3
	900	1012.003	3 pcs.	3
	700	1012.003	3 pcs.	3
495	1012.003	3 pcs.	3	

For L1, L2, L3, N				
DEPTH (D)	VERTICAL BUSBAR (A)	REF. NO.	PACKAGE QTY. (pcs.)	REQUIRED QTY. (pcs.) (L1, L2, L3,N)
800	4000	1012.004	4 pcs.	8
	3400	1012.004	4 pcs.	8
	3000	1012.004	4 pcs.	8
	2500	1012.004	4 pcs.	8
600/800	2300	1012.004	4 pcs.	4
	1860	1012.004	4 pcs.	4
	1620	1012.004	4 pcs.	4
	1350	1012.004	4 pcs.	4
	1300	1012.004	4 pcs.	4
	1100	1012.004	4 pcs.	4
	900	1012.004	4 pcs.	4
	700	1012.004	4 pcs.	4
495	1012.004	4 pcs.	4	

- This part supports and isolates the vertical busbar from the bottom.
- For **Ref.No quantity = Required Qty. / Package Qty.**
- If your required quantity is less than package quantity; please select the Reference no with suitable package quantity.
- **Please check** your design/project for lcv value.



■ 2.5 EARTHING KIT



BUSBAR POSITION	REF. NO.	PACKAGE QTY. (pcs.)	REQUIRED QTY. (pcs.)
TOP	1012.001	2 pcs.	2

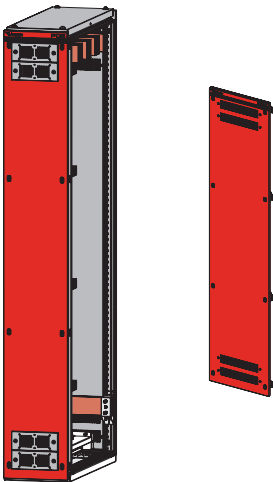
For Multiple Order:

REF. NO.	PACKAGE QTY. (pcs.)
1012.011	12 pcs.

- For **Ref.No quantity = Required Qty. / Package Qty.**
- If your required quantity is less than package quantity; please select the Reference no with suitable package quantity.

■ 3. FRONT-REAR PANELS

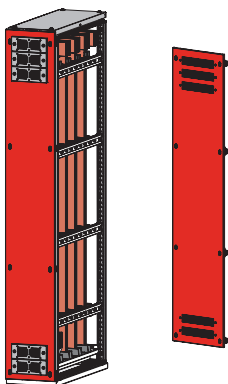
■ 3.1 FRONT PANEL



WIDTH(W)	HEIGHT(H)	REF. NO.	REQUIRED QTY. (pcs.)
300	2000	1020.320	1
400	2000	1020.420	1

- Package includes **1 pcs. Ventilated Front Fixed Panel, Assembly Parts.**

■ 3.2 REAR PANEL



WIDTH(W)	HEIGHT(H)	REF. NO.	PACKAGE QTY. (pcs.)	REQUIRED QTY. (pcs.)
300	2000	1003.320	1 pc.	1
400	2000	1003.420	1 pc.	1

- Package includes **1 pcs. Ventilated Rear Panel, Assembly Parts.**

! Note : Ventilation filters are optional products. Choose from 'A4 ACCESSORIES' catalog.



PDS
UPGRADE THE POWER