

CABLE AND MANAGEMENT

CABLE ENTRY SYSTEM WITH SOCKET



Materials : Polipropilen (PP) , CONTA : Elastomer , UL94 V0

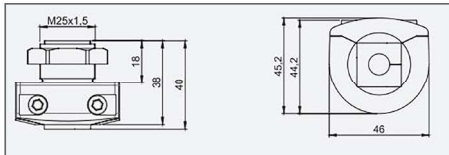
Supply Includes: 1 x Gland casing and Nut

IP Rate : IP66 ACCORDING TO IEC 60529, UL TYPE 4X

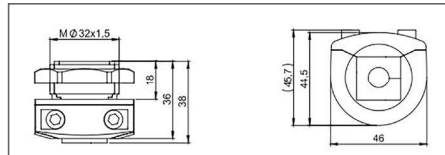
REQUIRED : Gland Insert (p 51)

NOTE : 2 Inserts should be used for model 973.504 M50/2.

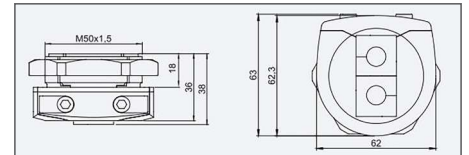
- You can use the detachable gland structure to pass the socket or the prepared cable sets of the cable entry system with a socket.
- Cables with diameter 1 to 16 mm are passed through. Sealing is ensured and also stress is reduced..
- A protection rate of IP66 according to IEC 60529 is achieved with the cable entry system with a socket.



PRODUCT CODE 973.502
M25/1 GLAND CASING



PRODUCT CODE 973.503
M32/1 GLAND CASING



PRODUCT CODE 973.504
M50/2 GLAND CASING

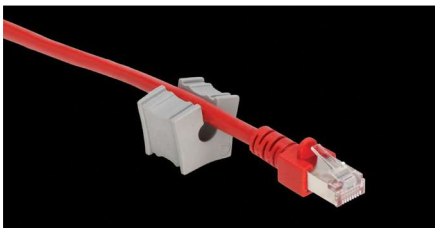
GLAND INSERTS



Materials : Elastomer , UL94 V0

IP Rate : IP66 ACCORDING TO IEC 60529, UL TYPE 4X

REQUIRED : Gland casing is required for using Insert Products



PRODUCT CODE	CABLE DIAMETER mm	PACKAGE QUANTITY
973.505	4 - 5	1
973.506	5 - 6	1
973.507	6 - 7	1
973.508	7 - 8	1
973.509	8 - 9	1
973.510	9 - 10	1
973.511	10 - 11	1
973.512	11 - 12	1
973.513	12 - 13	1
973.514	13 - 14	1
973.515	14 - 15	1
973.516	15 - 16	1

PRODUCT CODE	CABLE DIAMETER mm	PACKAGE QUANTITY
973.517	4 - 5	10
973.518	5 - 6	10
973.519	6 - 7	10
973.520	7 - 8	10
973.521	8 - 9	10
973.522	9 - 10	10
973.523	10 - 11	10
973.524	11 - 12	10
973.525	12 - 13	10
973.526	13 - 14	10
973.527	14 - 15	10
973.528	15 - 16	10

POLYAMIDE CABLE GLANDS



Materials : Polypropylene (PP), GASKET: Elastomer, UL94 V0

Supply Includes: Glands and Nuts

IP Rate : IP66 ACCORDING TO IEC 60529

PRODUCT CODE	TYPE	CABLE DIAMETER mm	PACKAGE QUANTITY
973.543	M12	3 - 6.5	50
973.544	M16	5 - 10	50
973.545	M20	10 - 14	50
973.546	M25	13 - 18	25
973.547	M32	18 - 25	15
973.548	M40	22 - 32	5

BRASS CABLE GLANDS



Materials : Brass, Nickel-Coated

Supply Includes: Glands and Nuts

Materials : Brass, Nickel-Coated

IP Rate : IP66 ACCORDING TO IEC 60529

PRODUCT CODE	TYPE	CABLE DIAMETER mm	PACKAGE QUANTITY
973.563	M12	3 - 6.5	10
973.564	M16	5 - 10	10
973.565	M20	10 - 14	10
973.566	M25	13 - 18	10
973.567	M32	18 - 25	5
973.568	M40	22 - 32	5

GLAND PLATE WITH FOAM ENTRY (DM MEDIUM)



Relevance : DM - M

Materials : 1.5 mm Mild + RAL 7035 Coating

Supply Includes: Gland Plate, Adhesive Foam and Enclosure, Assembly Parts

IP Rate : Up to IP55 if assembled correctly (according to IEC 60529)

NOT : 2 pieces should be selected for enclosures with width of 800.

PRODUCT CODE	ENCLOSURE WIDTH (mm)	ENCLOSURE DEPTH (mm)
973.007	300	210
973.008	400	210
	400	260
973.009	400	300
973.010	500	210
	500	260
973.011	500	300
973.012	600	210
	600	260
973.013	600	300
	600	400
973.008	800	210
	800	260
973.009	800	300

CABLE AND MANAGEMENT

GLAND PLATE WITH FOAM ENTRY (DM LARGE)



- Relevance : DM - L
- Materials : 1.5 mm Mild + RAL 7035 Coating
- Supply Includes: Gland Plate, Adhesive Foam and Enclosure Assembly Parts
- IP Rate : Up to IP55 if assembled correctly (according to IEC 60529)
- NOT : 2 pieces should be selected for enclosures with width of 800

PRODUCT CODE	Width (mm)	Depth (mm)
973.014	600	400
973.015	800	400
973.016	1000	300
973.017	1000	400
973.018	1200	300
973.019	1200	400

CABLE CRIMPING SYSTEM



CABLE CONNECTION RAIL

- Relevance : DM - M / DM - L
- Materials : 2 mm Galvanized
- Supply Includes: 1 x Cable Connection Rail and Enclosure Assembly Parts
- NOT : For enclosures with 1000 or 1200 width 500-600-wide Rails can be mounted as Double.

PRODUCT CODE	Enclosure Width	Rail Width
973.940	400	317
973.950	500	417
973.960	600	517
973.980	800	717



NOTE: To raise the rail or give it an angular raise, please see Rail Raisers (page 58)



CABLE CLAMP

- Relevance : Cable Connection Rails
- Materials : MILD + ZINC COATING AND POLYAMIDE CRIMPER
- REQUIRED** : Cable Connection Rail

PRODUCT CODE	Cable Diameter	Package Quantity
1050.0814	8 - 14	30
1050.1420	14 - 20	20
1050.2028	20 - 28	15

M12 EYEBOLT CARRIER



Product Code : 613.000
 Relevance : DM-L
 Materials : Carbon Steel +
 Electro-Galvanized Coating
 Supply Includes: 2 x Eyebolts and Enclosure
 Assembly Parts

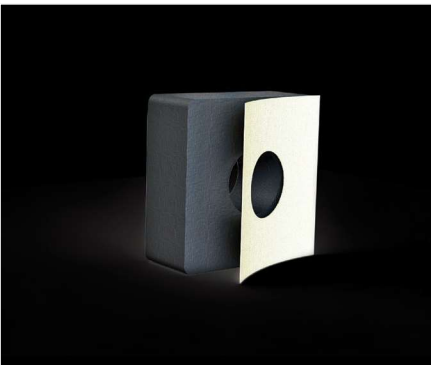


Vertical bearing capacity
 For each eyebolt: $F = 2000 \text{ N}$



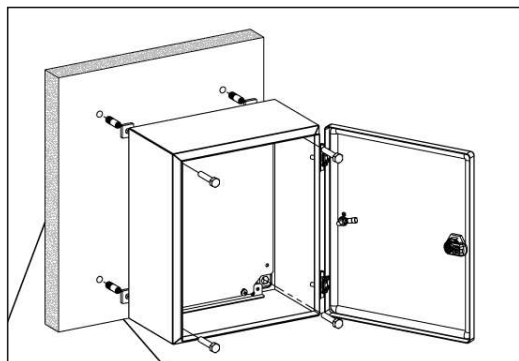
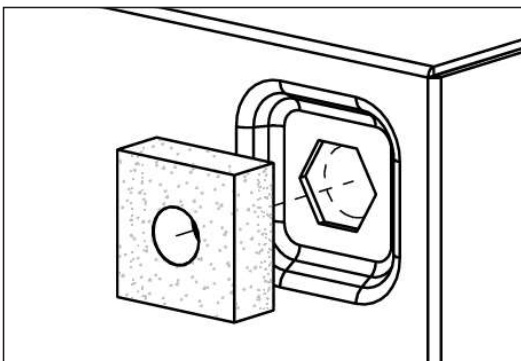
Angular bearing capacity
 For each eyebolt:
 45 Degrees $F = 2400 \text{ N}$
 60 Degrees $F = 3200 \text{ N}$

ADHESIVE GASKET



Product Code : 971.400
 Relevance : KT and DM Series
 Materials : EPDM Gasket
 Supply Includes: 4 pieces 8 mm Single-Sided
 EPDM Gasket

NOTE : Used as a seal in bolted connection
 to a flat surface where wall mount
 hangers cannot be used.



FIXING AND MOVING

WALL BRACKET



Product Code : 971.300

Relevance : KT and DM Series

Materials : 2.5 mm HRP +
CR+3 Coating

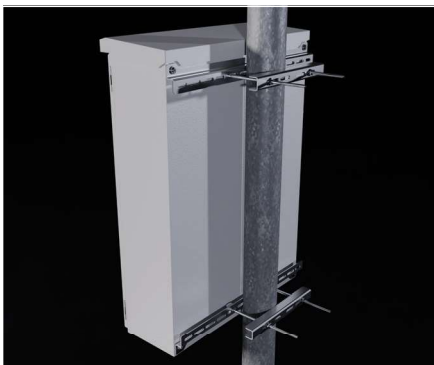
Supply Includes: 4 x Wall Bracket and
Enclosure Assembly Parts

Load Bearing Capacity : 2800 N - Vertical



Load Bearing Capacity : 1500 N - Horizontal

POLE MOUNT



Relevance : DM Medium 300 - 400 - 500 - 600 Width

Materials : 3 mm Galvanized

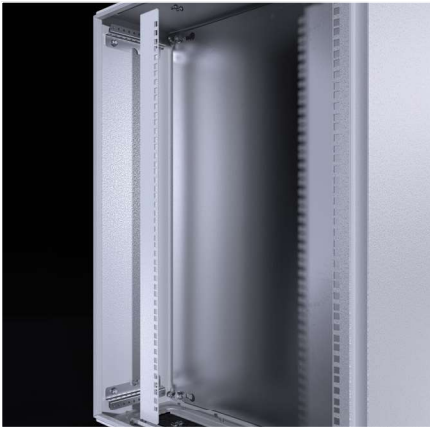
Supply Includes: 1 x Cable Connection Rail and Enclosure
Assembly Parts

REQUIRED : Cable Connection Rail

- Pole Diameter ; Ø 40mm. (min.) - Ø 190 mm. (max.)
- Pole Size (Square) ; □ 50mm (min.) - □ 150 mm (max.)

PRODUCT CODE	Enclosure Width (mm)
973.003	300
973.004	400
973.005	500
973.006	600

19" RAIL



Relevance : 600-wide DM-M Enclosures
 Materials : 2mm Galvanized
 Supply Includes: 2 x 19" Profile and Enclosure Assembly Parts
 Relevance : All Lock Systems
REQUIRED : DM Depth Rail (p. 57)

PRODUCT CODE	Enclosure Height (mm)	MODEL
973.712	700	12 U - 19" Rail
973.716	800	16 U - 19" Rail
973.721	1000	21 U - 19" Rail
973.724	1200	24 U - 19" Rail

ROOF

OUTDOOR ROOF



Relevance : DM-M / DM-L
 Materials : 1.5 mm Galvanized + RAL 7035 Coating
 Supply Includes: 1 x Outdoor Roof, 1 x Gauge + Enclosure Assembly Parts
 NOTE : Recommended to be used in single door enclosures.

PRODUCT CODE	Enclosure Width (mm)	Enclosure Depth (mm)
973.032	300	210
973.042	400	210
973.052	500	210
973.062	600	210
973.063	600	300
973.083	800	300
973.103	1000	300
973.064	600	400
973.084	800	400

INTERIOR ASSEMBLY PRODUCTS

SIDE DEPTH RAIL



Relevance : DM-M / DM-L
 Materials : 2 mm Galvanized
 Supply Includes: 4 x Enclosure Depth Side Rail and Enclosure Assembly Parts

PRODUCT CODE	ENCLOSURE DEPTH(mm)
973.121	210
973.126	260
973.130	300
973.140	400

HEIGHT - WIDTH RAIL



Relevance : DM-M / DM-L
 Materials : 2 mm Galvanized
 Supply Includes: 1 x Width or Height Profile and Enclosure Assembly Parts
 NOTE : : 2 extra connection adapters are required for Width Usage. (please see 57)
 Usable at any height or width

PRODUCT CODE	ENCLOSURE HEIGHT/WIDTH (mm)
973.144	400
973.145	500
973.146	600
973.148	800
973.100	1000
973.120	1200

DEPTH INTERNAL RAIL



Relevance : DM-M / DM-L
 Materials : 2 mm Galvanized
 Supply Includes: 2 x Depth Internal Rail and Enclosure Assembly Parts

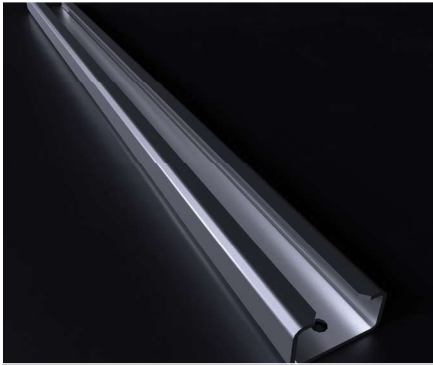
PRODUCT CODE	ENCLOSURE DEPTH (mm)
973.221	210
973.226	260
973.230	300
973.240	400

CONNECTION ADAPTOR



Product Code : 973.125 Relevance
 Relevance : DM-M / DM-L
 Materials : 2 mm Galvanized
 Supply Includes: 2 x Cable Connection Rails and Enclosure Assembly Parts

DIN RAILS



Relevance : KT and DM Series

Materials : 7.5mm RAIL: 1 mm Mild+ CR+3 Coating 15mm RAIL: 1.5 mm Mild + CR+3 Coating

Supply Includes: 4 x Din Rails and Enclosure Assembly Parts.

REQUIRED : 993.105 M5X10 TAPTITE SCREW for H2000-Size product assembly (P.: 70)

NOTE : H2000-Size Products consist of 1x Din Rail

PRODUCT CODE	RAIL LENGTH (mm)	RAIL HEIGHT (mm)	Product Compatibility
956.003	195	15 mm	DM 300G Internal Partial Door
956.004	295	15 mm	DM 400G Internal Partial Door
956.005	395	15 mm	DM 500G Internal Partial Door
956.006	495	15 mm	DM 600G Internal Partial Door
956.008	695	15 mm	DM 800G Internal Partial Door
956.103	195	7,5 mm	DM 300G Internal Partial Door
956.104	295	7,5 mm	DM 400G Internal Partial Door
956.105	395	7,5 mm	DM 500G Internal Partial Door
956.106	495	7,5 mm	DM 600G Internal Partial Door
956.108	695	7,5 mm	DM 800G Internal Partial Door
990.100	2000	15 mm	DM , KT
990.102	2000	7,5 mm	DM , KT

RAIL RAISERS



Relevance : KT and DM Series

Materials : 2 mm Galvanized

Supply Includes: 2 x Rail Raisers and Enclosure Assembly Parts

PRODUCT CODE	PRODUCT
973.030	45-Degree Rail Raiser



Relevance : KT and DM Series

Materials : 2 mm Galvanized

Supply Includes: 2 x Rail Raisers and Enclosure Assembly Parts

PRODUCT CODE	PRODUCT
973.031	90-Degree Rail Raiser

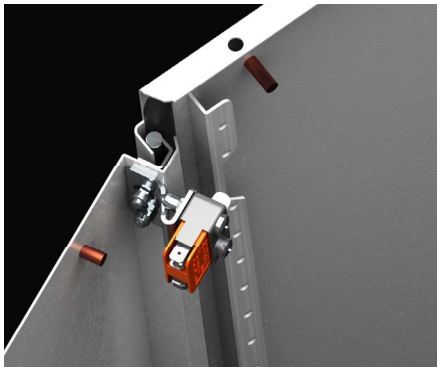


INTERIOR ASSEMBLY PRODUCTS

DOOR SWITCH



Product Code : 973.141
Relevance : DM Series
Contact : 1NO + 1NC
Contact Current (Le) : 6 A (250 V AC)
IP Rate : IP 40
Operating Temperature : -25 °C / +80 °C
Supply Includes : 1 x Switch, 1 x Bracket and Enclosure Assembly Parts



MAGNETIC LED LAMP 35 CM.

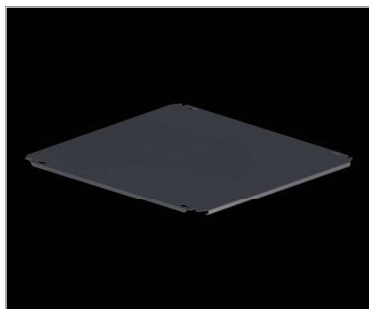
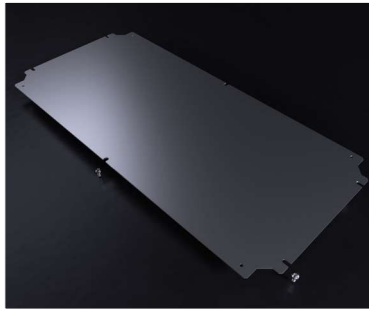


Product Code : 901.150
Materials : Aluminum Body and Plastic Door
Supply Includes : 1 x 35 cm. Magnetic Led Lamp and 1-meter 2-Pole connection cable

- Magnetic Assembly Structure
- 220 V AC, 5W Voltage and Power
- 400 Output Lumen



MOUNTING PLATES



	PRODUCT CODE	Enclosure Width (mm)	Enclosure Height (mm)
KT SERIES	943.111	150	150
	943.121	200	150
	943.122	200	200
	943.131	300	150
	943.132	300	200
	943.142	400	200
	943.133	300	300
	943.141	400	150
	943.143	400	300
	943.144	400	400
	943.152	500	200
	943.153	500	300
	943.162	600	200
	943.163	600	300
	943.164	600	400
DM-S SERIES	943.182	800	200
	943.184	800	400
	943.183	800	300
	943.163	600	300
	943.222	200	200
	943.225	200	250
	943.220	250	250
	943.223	250	300
DM-M SERIES	943.253	250	350
	943.233	300	300
	943.234	300	400
	943.243	400	300
	943.334	400	400
	943.335	500	500
	943.344	400	400
	943.345	500	500
	943.346	600	600
	943.348	800	800
DM-L SERIES	943.354	400	400
	943.355	500	500
	943.356	600	600
	943.357	700	700
	943.364	600	400
	943.366	600	600
	943.368	600	800
	943.361	600	1000
	943.362	600	1200
	943.386	800	600
	943.388	800	800
	943.381	800	1000
	943.382	800	1200
	943.311	1000	1000
943.312	1000	1200	
943.314	1000	1400	
943.318	1200	800	
943.322	1200	1200	

Relevance : KT - DM Series

Materials : 2 mm Galvanized

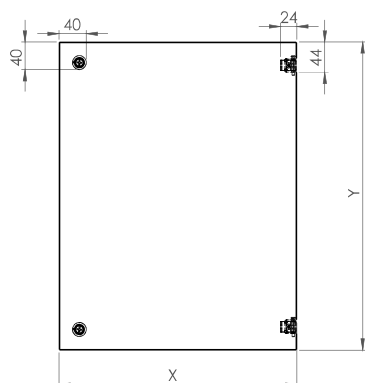
Supply Includes: 1 x Mounting Plate and Enclosure Assembly Parts

INTERNAL PANELS AND MODULES

SOLID INTERIOR DOOR



Relevance : DM-M / DM-L
Materials : 1,2 mm Mild + RAL 7035
Supply Includes: 1 x Solid Interior Door, 2 x Interior Door Vertical Profile, 2 x Bottom-Top Closure and Enclosure Assembly Parts
IP Rate : IP3XD ACCORDING TO IEC 60529



PRODUCT CODE	ENCLOSURE WIDTH (mm ³)	ENCLOSURE HEIGHT (mm ³)	X (mm ³)	Y (mm ³)
975.034	300	400	244	348
975.044	400	400	344	348
975.045	400	500	344	448
975.046	400	600	344	548
975.057	500	700	444	648
975.068	600	800	544	748
975.610	600	1000	544	948
975.612	600	1200	544	1148
975.810	800	1000	744	948
975.812	800	1200	744	1148

INTERIOR DOOR FOR MCB



Relevance : DM-M / DM-L
Materials : 1,2 mm DKP + RAL 7035
Supply Includes: 1 x Interior Door for MCB, 2 x Interior Door Vertical Profile, 2 x Top-Bottom Closure, Clips Terminal Rails Suitable for Interior Door and Enclosure Assembly Parts
IP Rate : IP3XC ACCORDING TO IEC 60529



PRODUCT CODE	ENCLOSURE WIDTH (mm ³)	ENCLOSURE HEIGHT (mm ³)	TOTAL MCB	NUMBER OF ROWS
973.034	300	400	22	2
973.044	400	400	34	3
973.045	400	500	51	3
973.046	400	600	68	4
973.057	500	700	110	5
973.068	600	800	162	6
973.610	600	1000	196	7
973.612	600	1200	224	8
973.810	800	1000	273	7
973.812	800	1200	312	8

MODULAR INTERIOR DOOR SYSTEMS



FRAME SET

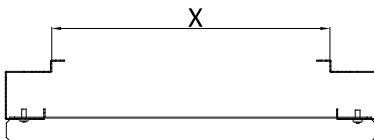
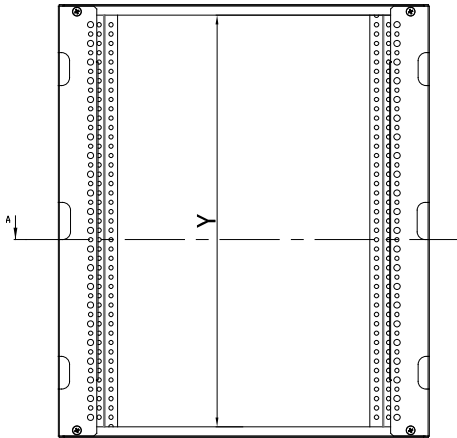
Relevance : DM-M / DM-L

Materials : 1.2 Mild + RAL 7035 Coating

Supply Includes: 2 x Internal Partial Door Vertical Profile, Cover Frame
Top - Bottom Closure and Enclosure Assembly Parts



PRODUCT CODE	ENCLOSURE WIDTH (mm)	ENCLOSURE HEIGHT (mm)	X (mm)	Y (mm)
956.034	300	400	195	340
956.044	400	400	295	340
956.045	400	500	295	440
956.046	400	600	295	540
956.057	500	700	395	640
956.068	600	800	495	740
956.610	600	1000	495	940
956.612	600	1200	495	1140
956.810	800	1000	695	940
956.812	800	1200	695	1140



INTERNAL PANELS AND MODULES



INTERNAL PARTIAL DOOR

Relevance : DM-M / DM-L

Materials : 1,2 Mild + RAL 7035 Coating

Supply Includes: 1 x Internal Partial Door and Enclosure Assembly Parts



PRODUCT CODE	Enclosure Width (W)	Cover Net Width (W1)	Cover Net Height (H1)	MCB
955.306	300	242,75	60	-
955.406	400	342,75	60	-
955.506	500	442,75	60	-
955.606	600	542,75	60	-
955.806	800	742,75	60	-
955.308	300	242,75	80	-
955.408	400	342,75	80	-
955.508	500	442,75	80	-
955.608	600	542,75	80	-
955.808	800	742,75	80	-
955.301	300	242,75	100	-
955.401	400	342,75	100	-
955.501	500	442,75	100	-
955.601	600	542,75	100	-
955.801	800	742,75	100	-
955.312	300	242,75	120	-
955.412	400	342,75	120	-
955.512	500	442,75	120	-
955.612	600	542,75	120	-
955.812	800	742,75	120	-
955.313	300	242,75	120	+
955.413	400	342,75	120	+
955.513	500	442,75	120	+
955.613	600	542,75	120	+
955.813	800	742,75	120	+
955.316	300	242,75	160	-
955.416	400	342,75	160	-
955.516	500	442,75	160	-
955.616	600	542,75	160	-
955.816	800	742,75	160	-
955.317	300	242,75	160	+
955.417	400	342,75	160	+
955.517	500	442,75	160	+
955.617	600	542,75	160	+
955.817	800	742,75	160	+
955.420	400	342,75	200	-
955.520	500	442,75	200	-
955.620	600	542,75	200	-
955.820	800	742,75	200	-

PARTIAL MOUNTING PLATE



Relevance : DM - M / DM - L / TEOS / NEO / NEO Mb

Materials : 2 mm Galvanized

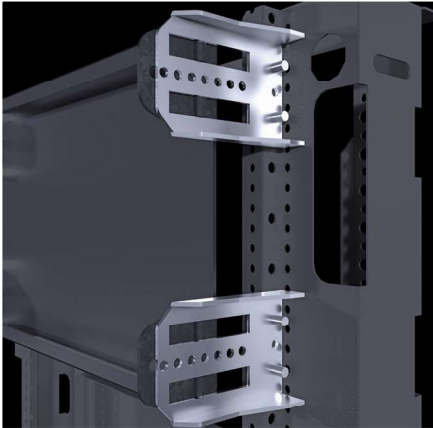
Supply Includes: 1 x Partial Mounting Plate

REQUIRED : For DM - M / DM - L;
 4 x plug-in rail holders and 4 x Mounting Plate Side Rail are needed to mount the Mounting Plate
 944.420 (x 100) (with bolts)
 944.421 (x 12) (with bolts)
 956.001 (x 4) (with bolts)

PRODUCT CODE	ENCLOSURE WIDTH (W)	PLATE NET WIDTH (W1)	PLATE NET HEIGHT (H1)
944.442	400	295	150
944.443	400	295	175
944.444	400	295	200
944.445	400	295	250
944.446	400	295	300
944.447	400	295	400
944.448	400	295	500
944.449	400	295	600
944.450	500	395	400
9444.51	600	495	150
944.452	600	495	175
944.453	600	495	200
944.454	600	495	250
944.455	600	495	300
944456	600	495	400
944.457	600	495	500
944.458	600	495	600
944.467	800	695	150
944.468	800	695	175
944.469	800	695	200
944.470	800	695	250
944.471	800	695	300
944.472	800	695	400
944.473	800	695	500
944.474	800	695	600

INTERNAL PANELS AND MODULES

PARTIAL MOUNTING PLATE SIDE RAIL



Product Code : 956.001
 Relevance : DM - M DM - L
 Materials : 2 mm Galvanized
 Supply Includes: 4 x Partial Mounting Plate Side Rail and Enclosure Assembly Parts

PLUG-IN RAIL HOLDER



Product Code : 944.421
 944.420
 Relevance : TEOS / NEO Modular / NEO Mb / DM - M / DM - L
 Materials : 2 mm. Mild + Zinc-Coating
 Supply Includes: 944.420 (x 12, With Bolts)
 944.420 (x 100, With Bolts)

ALUMINUM TERMINAL RAIL



Relevance : DM-M / DM-L
 Materials : Etial 160 AL
 Supply Includes: Aluminum Terminal Rail and Assembly Parts (Aluminum Terminal Rail for DM Inner Covers)

REQUIRED : A frame set is required for using aluminum terminal rails. (please see p. 62)

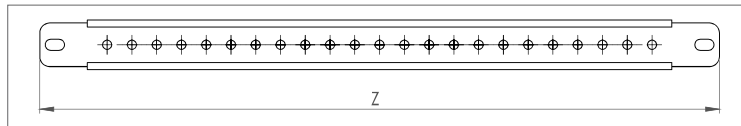
PRODUCT CODE	ENCLOSURE WIDTH	RAIL LENGTH (A)
956.400	400	263
956.500	500	363
956.600	600	463
956.800	800	663

DOOR SUPPORT RAILS



Relevance : DM-M, DM-L
 Materials : 1,5 mm. Galvanized
 Supply Includes: 1 x Door Support Rail and Assembly Parts

PRODUCT CODE	RAIL LENGTH (Z)	DM DOOR SUPPORT RAIL	DM COMPATIBLE PRODUCT CODE							
			254.315	254.421	254.515	254.521	254.526	254.530	254.621	254.615
973.023	343	400 G	254.315	254.421	254.515	254.521	254.526	254.530	254.621	254.615
			254.626	254.630	254.830	-	-	-	-	-
973.024	443	500 G 1000 G - V1	255.421	255.521	255.530	255.615	255.621	255.626	255.630	255.721
			255.726	281.130	-	-	-	-	-	-
973.025	383	1000 G - V2	281.123	281.143	281.144	-	-	-	-	-
973.026	543	600 G - 1200 G - V1	256.421	256.621	256.630	256.640	256.821	256.826	256.830	256.840
			256.126	256.130	286.140	281.830	281.840	-	-	-
973.027	483	1200 G - V2	256.123	286.124	281.230	281.140	-	-	-	-
973.028	743	800 G - V1	258.630	258.632	258.821	258.830	258.126	258.130	288.140	-
973.029	683	800 G - V2	258.123	288.124	-	-	-	-	-	-



METAL PLAN POCKET



Relevance : DM-M / DM-L
 Materials : 1.2 mm. Mild + RAL 7035 Coating
 Supply Includes: 1 x Plan Pocket Set and Enclosure Assembly Parts

PRODUCT CODE	ENCLOSURE WIDTH (mm)
973.442	400-500-1000
973.542	600-1200
973.742	800

DOORS AND COVERS

PLASTIC PLAN POCKET



Relevance : DM-M / DM-L
Materials : ABS RAL 7035
Supply Includes: 1 x Plan Pocket Set and Enclosure Assembly Parts

PRODUCT CODE	DIMENSIONS
994.400	A4
994.500	A5

DOOR STOPPER



Product Code : 973.142
Relevance : DM-M / DM-L
Materials : 2 mm. Mild + CR+3 Coating
Supply Includes: 1 x Door Stopper and Enclosure Assembly Parts

SMALL LOCK INSERT OPTIONS



5 mm Doublebit Insert Lock



Square Insert Lock

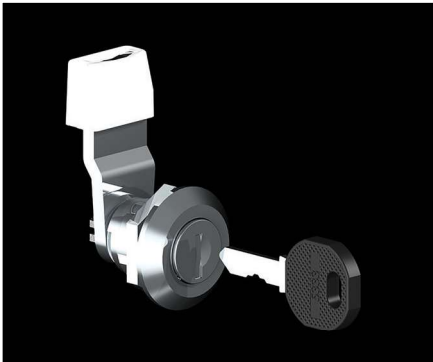


9 mm Triangular Insert Lock

Relevance : Quarter-Turn Locks
 Materials : Zamak + Nickel-Coated Product
 Supply Includes: 1 x Insert
REQUIRED : The key should be ordered separately. (p. 69)

PRODUCT CODE	MODEL
951.260	5 mm Double-bit
951.261	8 mm Square
951.262	9 mm Triangular

CAMLOCK WITH 5333 EUROKEY



Relevance : 950.212 (DM-S),
 950.211 (DM-M/DM-L)
 Materials : Zamak + Zinc-Coating
 Supply Includes: 1 x Encrypted Cylindrical Lock and Key

T-HANDLE LOCK



Relevance : 950.210
 Materials : Zamak + Black Coating
 Supply Includes: 1 x T-Handle Lock and Key

LOCKS

HANDLE LOCK

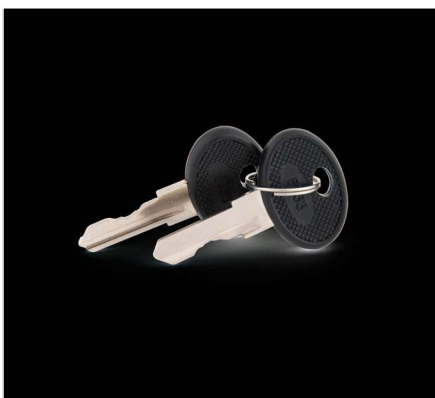


Relevance : DM-M / DM-L
 Materials : Zamak + RAL 7035 Supply
 Supply Includes: 1 x Handle Lock

REQUIRED : The key should be ordered separately for doublebit, triangular and square insert models.

PRODUCT CODE	MODEL
950.203	5 mm Double-bit
950.202	8 mm Square
950.201	9 mm Triangular
950.200	Eurokey (5333)

KEYS



Relevance : All Lock Systems
 Materials : Zamak + Zinc-Coating
 Supply Includes: 1 x Eurokey Key: 2 x

PRODUCT CODE	MODEL
952.101	5 mm Double-bit
952.102	8 mm Square
952.103	9 mm Triangular
952.300	Eurokey (5333)

SELF-TAPPING SCREWS

5X10 TAPTITE SCREW

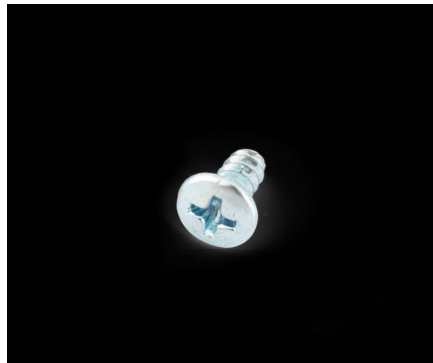


Product Code : 993.105

Supply Includes: 100 x Screws

Self-tapping steel screw in holes with 4.50 mm diameter

M4,8X9,5 FLAT-TIP STEEL SCREW

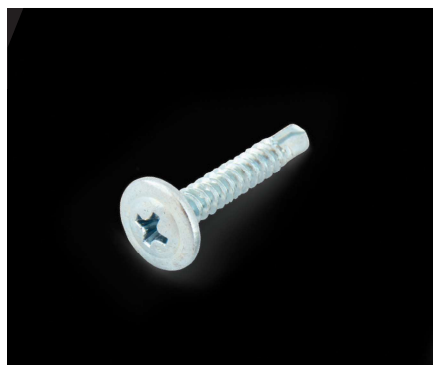


Product Code : 993.110

Supply Includes: 20 x Screws

Used as DM-M Gland Plate Mounting Screw

SELF-DRILLING SCREW



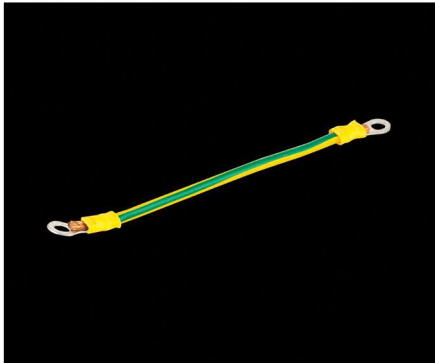
Product Code : 993.106

Supply Includes: 100 x Screws

Self-Drilling and Self-Tapping Screws

MOUNTING ACCESSORIES

EARTHING CABLES



YELLOW GREEN EARTHING CABLE

PRODUCT CODE	DIMENSIONS	PACKAGE QUANTITY	DIAMETER	ENCLOSURE DEPTH (mm)
991.208	16mm ² x 210mm	5 x	M8	150/210
991.209	16mm ² x 260mm	5 x	M8	260/300
991.210	16mm ² x 310mm	5 x	M8	400



KNITTED EARTHING CABLE

PRODUCT CODE	DIMENSIONS	PACKAGE QUANTITY	DIAMETER	ENCLOSURE DEPTH (mm)
991.203	12x3x260	1 x	M6	150/210/260/300
991.201	10x2x260	10 x	M6	150/210/260/300
991.204	15x3x260	1 x	M8	150/210/260/300
991.202	15x3x260	5 x	M8	150/210/260/300

AIR FILTERS



Materials : ABS RAL 7035
 IP Rate : IP5X
 Supply Includes: 1 x Air Filter,
 Replaceable Fiber Filter

PRODUCT CODE	Filter Dimensions	Enclosure Depth (mm)
983.104	105x105	150-400
983.106	150x150	210/260/300/400

FAN WITH AIR FILTERS



Materials : ABS RAL 7035
 FAN : EBM Brand
 IP Rate : IP5X
 Supply Includes: 1 x Air Filter and Fan
 Replaceable Fiber Filter

PRODUCT CODE	Filter Dimensions	Fan Power	Air Flow Rate (m³/saat)	Enclosure Depth (mm)
983.119	105x105	230V AC-12W	20m³	150-400
983.131	150x150	230V AC-19W	60m³	210/260/300/400

RAIN CANOPY FOR AIR FILTER



Materials : 1,5 mm.
 Galvanized +
 RAL 7035
 IP Rate : IPX3
 Supply Includes: Ventilation,
 Gauge and
 Enclosure
 Assembly Parts
 for 1 x Rain
 Canopy

PRODUCT CODE	Compatible Filter Size	Canopy Size	Enclosure Depth (mm)
973.105	105x105	155x145	210/260/300/400
973.150	150x150	200x190	210/260/300/400

ENCLOSURE HEATERS



Heating Component : PTC Semi
 Conductor
 Heating Body : Anodized
 Aluminum
 Profile
 Body Temperature : 75-130 °C
 IP Rate : IP20
 Connection 0.75 - 1.50 mm²,
 with screw terminal

- 110-230 V AC/DC
- Conforms to the CE Norm
- Mounting on 35 mm DIN rails with clips

PRODUCT CODE	Power (W)	Body Temperature	Width (mm)	Height (mm)	Depth (mm)
984.100	20	85	82	65	42
984.200	30	85	82	75	42
984.300	50	85	82	85	42
984.400	75	125	82	105	42
984.500	100	125	82	120	42
984.600	125	125	82	150	42
984.700	150	125	82	190	42

AIR CONDITIONING

THERMOSTATS



FAN THERMOSTAT

Product Code : 983.011

Supply Includes : 1 x Fan Thermostat

IP Rate : IP20

Sensor Component: Bimetallic Thermostat

- Conforms to the CE Norm
- Mounting on 35 mm DIN rails
- 0.75-1.50mm² connection
- With Normally Open Contact (NO)



HEATER THERMOSTAT

Product Code : 983.012

Supply Includes : 1 x Heater Thermostat

IP Rate : IP20

Sensor Component: Bimetallic Thermostat

- Conforms to the CE Norm
- Mounting on 35 mm DIN rails
- 0.75-1.50mm² connection
- With Normally Closed Contact (NC)
- 110-230 V AC/DC 10A



H YGROSTAT

Product Code : 983.013

Supply Includes : 1 x Hygrostat

IP Rate : IP20

Sensor Component: Bimetallic Thermostat

- Conforms to the CE Norm
- Mounting on 35 mm DIN rails
- 0.75-1.50mm² connection
- With Both Normally Open and Normally Closed Contacts (NO/NC)
- For both cooling and heating applications.
- 110-230 V AC/DC 10A