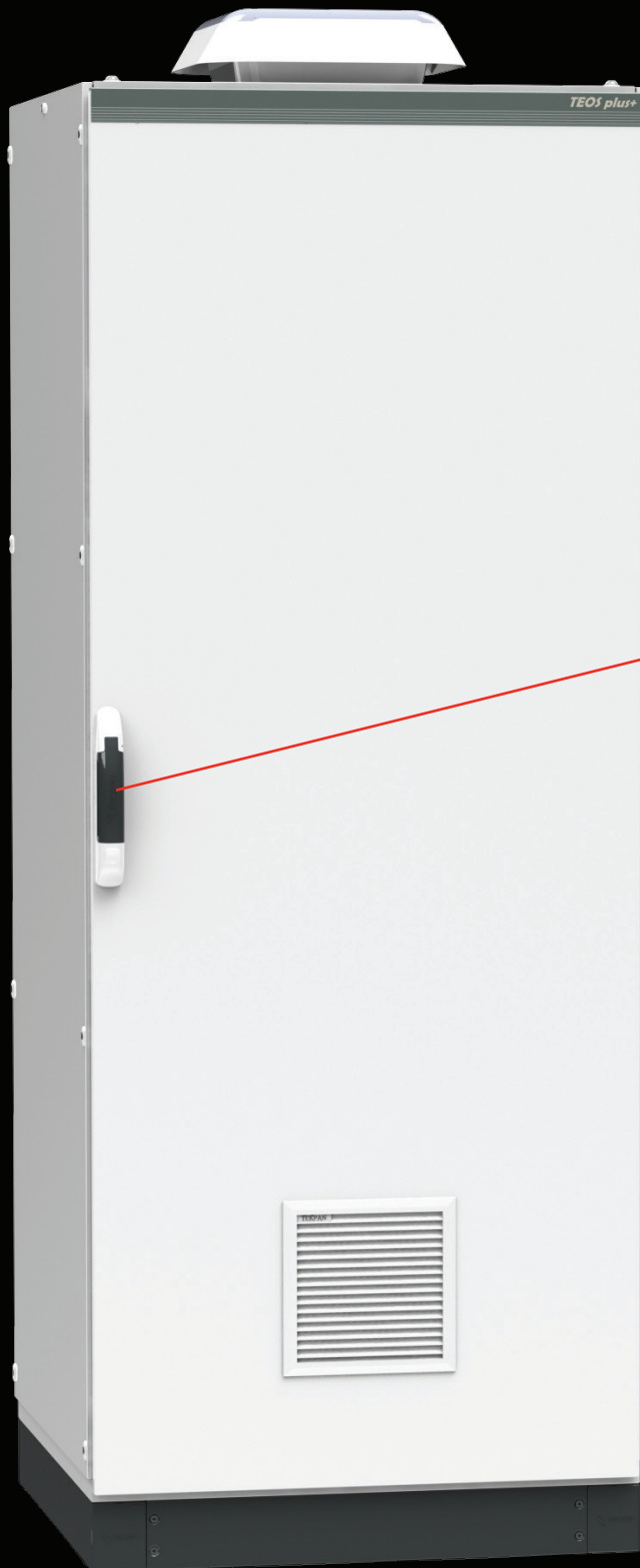
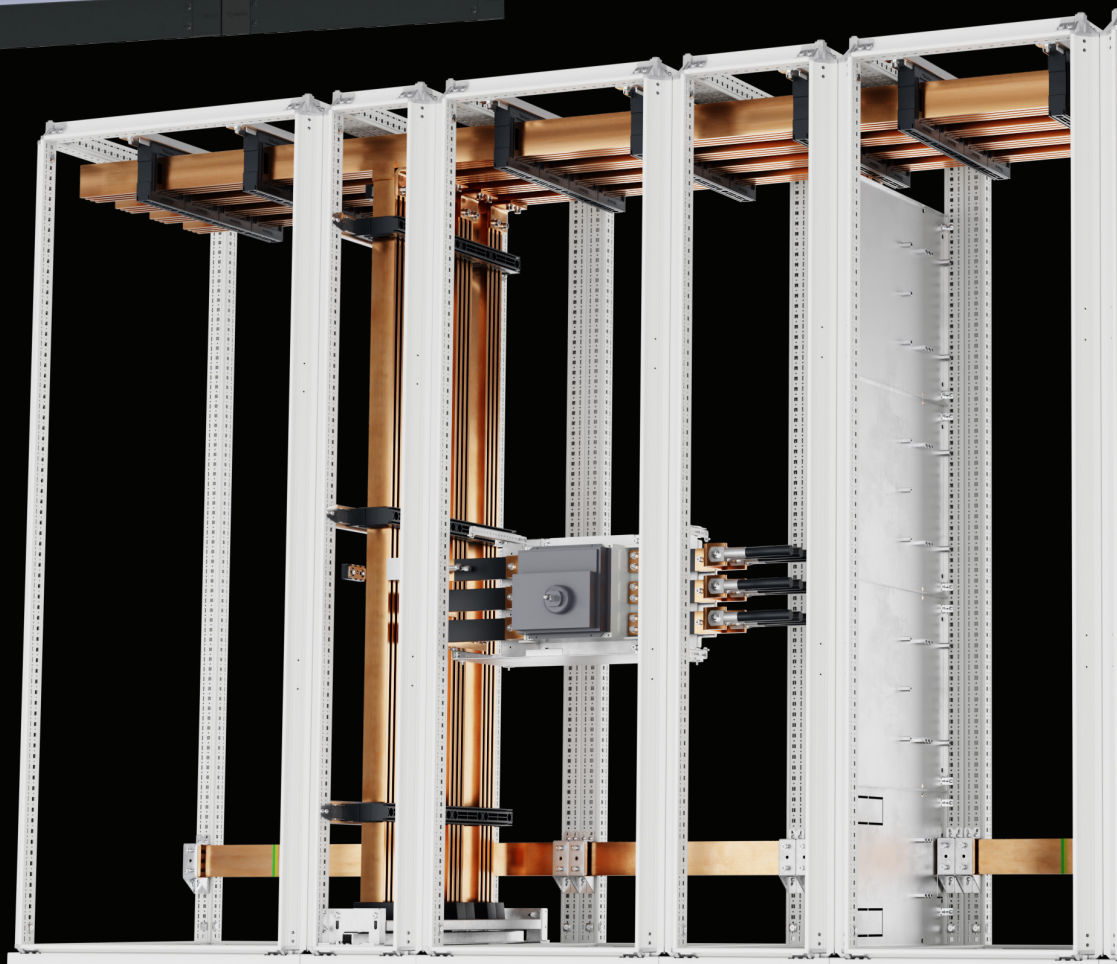


TEOS SERIES

FLOORSTANDING MODULAR CABINET



FLOORSTANDING MODULAR CABINET





ZONE 3

<p>1. GENERAL DATA</p> <p>1.1. Customer TEKPAK TEKNIK ELEKTRIK Atiklar Akademi 14. km. İstiklal Mah. 17. Sk. No:8 Ülçek Kemalpaşa / İstanbul TURKEY</p> <p>1.2. Unit under test The tests were performed on the following unit: • TEOS Plus+ double door enclosure, with a total mass of 395 kg.</p> <p>1.3. Manufacturer TEKPAK TEKNIK ELEKTRIK</p> <p>1.4. Reference documents</p> <p>1.4.1. Contract documents a. Offer P&P LMC No. CR-AB-04112 rev.01, dated June 18th, 2012. b. Order Tekpaşan dated June 19th, 2012.</p> <p>1.4.2. Technical documents and standards</p> <ol style="list-style-type: none"> Teknosa Generic Requirement GR-63-CORE, NERS Requirements: Physical Protection, Issue 1, October 1995. IEC 60068-3-3: Environmental testing - Part 3: Guidance - Seismic test methods for equipment. IEC 60068-2-6: Environmental testing - Part 2: Tests - Test F: Vibration (sinusoidal). IEC 60068-2-57: Environmental testing - Part 2: Tests - Test F: Vibration - Time history method. ISO 2041 Vibration and Shock - Vocabulary. <p>1.5. Test objective The purpose of the tests was to demonstrate that the unit behave in compliance with the requirements stated in doc.1011010 referring to a seismic risk classified as Zone 3.</p> <p>1.6. Tests overall results At the end of the tests, at a visual inspection, no damages on the unit were detected.</p>	<p>1.7. Testing laboratory P&P LMC S.r.l. via Pantano, 9 24068 Scienze (BG) ITALY</p> <p>1.8. Test date October 17th - 18th - 19th - 22nd, 2012.</p> <p>1.9. Responsibilities A. Bonzi, test responsible M. Civetti, test engineer D. Reccalcati, test engineer</p> <p>2. TESTING PROCEDURES</p> <p>2.1. General remarks To perform the tests, three reference directions have been considered for the unit: X (front - rear), Y (side - side) and Z (vertical). The sequence of the tests for the unit has been: • Seismic tests, performed in three directions (X, Y, Z) and consisted in: - vibration response investigation - earthquake - vibration response investigation - earthquake All the applied vibrations were non-resonant. Tests in X, Y and Z directions were performed on a vertical shaking table moved by an electro-dynamic shaker. For the other excitation directions, a horizontal shaking table was used. Excitation directions are shown in the photographs. All the performed tests are listed in the table of page from 15. Tests were numbered following the chronological sequence.</p> <p>2.2. Mounting techniques For all tests the unit was mounted in its intended operating configuration. The unit was fixed to the shaking table with No. 12 M14 screws with a tightening torque of 80 Nm.</p> <p>2.3. Control and measuring positions During the tests, for the motion control the signal of a monovalent accelerometer in the excitation direction (CP1) was used. Moreover two triaxial accelerometers (MP1 and MP2) were placed on the unit for the vibration measurement (see photos). In the table reported below are summarized model and serial number of the transducers mounted in the control and measuring positions during the tests.</p>
--	--

ZONE 4

<p>1. GENERAL DATA</p> <p>1.1. Customer TEKPAK TEKNIK ELEKTRIK Atiklar Akademi 14. km. İstiklal Mah. 17. Sk. No:8 Ülçek Kemalpaşa / İstanbul TURKEY</p> <p>1.2. Unit under test The tests were performed on the following unit: • TEOS Plus+ single door enclosure, with a total mass of 315 kg.</p> <p>1.3. Manufacturer TEKPAK TEKNIK ELEKTRIK</p> <p>1.4. Reference documents</p> <p>1.4.1. Contract documents a. Offer P&P LMC No. CR-AB-04112 rev.01, dated June 18th, 2012. b. Order Tekpaşan dated June 19th, 2012.</p> <p>1.4.2. Technical documents and standards</p> <ol style="list-style-type: none"> Teknosa Generic Requirement GR-63-CORE, NERS Requirements: Physical Protection, Issue 1, October 1995. IEC 60068-3-3: Environmental testing - Part 3: Guidance - Seismic test methods for equipment. IEC 60068-2-6: Environmental testing - Part 2: Tests - Test F: Vibration (sinusoidal). IEC 60068-2-57: Environmental testing - Part 2: Tests - Test F: Vibration - Time history method. ISO 2041 Vibration and Shock - Vocabulary. <p>1.5. Test objective The purpose of the tests was to demonstrate that the unit behave in compliance with the requirements stated in doc.1011010 referring to a seismic risk classified as Zone 4.</p> <p>1.6. Tests overall results At the end of the tests, at a visual inspection, no damages on the unit were detected.</p>	<p>1.7. Testing laboratory P&P LMC S.r.l. via Pantano, 9 24068 Scienze (BG) ITALY</p> <p>1.8. Test date October 17th - 18th, 2012.</p> <p>1.9. Responsibilities A. Bonzi, test responsible M. Civetti, test engineer D. Reccalcati, test engineer</p> <p>2. TESTING PROCEDURES</p> <p>2.1. General remarks To perform the tests, three reference directions have been considered for the unit: X (front - rear), Y (side - side) and Z (vertical). The sequence of the tests for the unit has been: • Seismic tests, performed in three directions (X, Y, Z) and consisted in: - vibration response investigation - earthquake - vibration response investigation - earthquake All the applied vibrations were non-resonant. Tests in X, Y and Z directions were performed on a vertical shaking table moved by an electro-dynamic shaker. For the other excitation directions, a horizontal shaking table was used. Excitation directions are shown in the photographs. All the performed tests are listed in the tables of page from 15. Tests were numbered following the chronological sequence.</p> <p>2.2. Mounting techniques For all tests the unit was mounted in its intended operating configuration. The unit was fixed to the shaking table with No. 8 M14 screws with a tightening torque of 80 Nm.</p> <p>2.3. Control and measuring positions During the tests, for the motion control the signal of a monovalent accelerometer in the excitation direction (CP1) was used. Moreover two triaxial accelerometers (MP1 and MP2) were placed on the unit for the vibration measurement (see photos). In the table reported below are summarized model and serial number of the transducers mounted in the control and measuring positions during the tests.</p>
--	--

- Zone3' All Teos series products are within the scope of Zone 3 seismic resistance tests.
- Zone3' test was conducted for double-door enclosures of size 1200 widthx2000+100 height and 600 mm depth, and covers all sizes and types of the Teos series.
- You can view the complete report on our websites.

- 'For 'Zone 4' seismic resistance tests, an enclosure sized 800 width x 2000+100 height x 800 with an extra reinforced interior and welded plinth was used.
- The abovementioned size and structure are required for your needs within the scope of 'Zone 4'. Please contact our sales department for your needs.
- You can view the complete report on our websites

UL CERTIFICATE VALID CERTIFICATE IN THE USA AND CANADA

CERTIFICATE OF COMPLIANCE

Certificate Number	20120920-E352599
Report Reference	E352599-20120920
Issue Date	2012-SEPTEMBER-20

Issued to: TEKPAK - TEKNIK ELEKTRIK KUMANDA PANO
SAN VE TURIZM TICARET LTD STI
ANKARA ASFALTI 14 KM
ISTIKLAL MH 17 SK NO 8 TURKEY

This is to certify that representative samples of INDUSTRIAL CONTROL PANELS
Enclosures for Industrial Control Panels, Sheet metal enclosure Series TEOS and DM.

Have been investigated by UL in accordance with the Standard(s) indicated on this Certificate.

Standard(s) for Safety: Industrial Control Panels, UL 508A. Industrial Control Equipment, C22.2 No. 14-10

Additional Information: See the UL Online Certifications Directory at www.ul.com/database for additional information

Only those products bearing the UL Listing Mark for the US and Canada should be considered as being covered by UL's Listing and Follow-Up Service meeting the appropriate requirements for US and Canada.
The UL Listing Mark for the US and Canada generally includes: the UL in a circle symbol with "C" and "US" identifiers; the word "LISTED"; a control number (may be alphanumeric) assigned by UL; and the product category name (product identifier) as indicated in the appropriate UL Directory.
Look for the UL Listing Mark on the product.

William R. Conroy
William R. Conroy, Director, North American Certification Programs
UL LLC
Any information and documentation involving UL. Mark services are provided on behalf of UL LLC (USA) or any authorized licensee of UL. For questions, please contact a local UL Customer Service Representative at www.ul.com/contact

EAC CERTIFICATE

ТАМОЖЕННЫЙ СОЮЗ

СЕРТИФИКАТ СООТВЕТСТВИЯ

№ TC RU C-TR.M010.B.01386
Серия RU № 0480563

ОРГАН ПО СЕРТИФИКАЦИИ Общество с ограниченной ответственностью «ЦЕНТР-СТАНДАРТ». Место нахождения: 119119, Российская Федерация, город Москва, Ленинский проспект, дом 42, корпус 1-2-3, этаж 1, помещения 1, комната 35. Адрес места осуществления деятельности: 11405, Российская Федерация, город Москва, улица Карповые Вязы, дом 2, корпус 1, 3-8 этаж, комната № 11. Телефон: +7 (495) 664-23-98, адрес электронной почты: info@center-standard.ru. Адрес соответствия регистрации № KA.RU.11N010.6. Дата регистрации аттестата аккредитации: 20.08.2015 года

ЗАЯВИТЕЛЬ Общество с ограниченной ответственностью «ДС Комплэйс». Основной государственный регистрационный номер: 110746637374. Место нахождения: 105037, Российская Федерация, город Москва, улица 3-я Парковая, дом 9, квартира 18. Телефон: 7929245611, адрес электронной почты: ds.concept@yandex.ru

ИЗГОТОВИТЕЛЬ "ТЕКПАК ТЕКНИК ЕЛК КУМАНДА ПАНО SAN VE TURIZM TICARET S.Ş.". Место нахождения: ТУРЦИЯ, Кемальпаşa О.С.Б. İstiklal Mah.17 Sok.No:8 Ülçek/Kemalpaşa İZMİR

ПРОДУКЦИЯ Вязка розеток торговой марки «ТЕКПАК», артикулы: 990.200, 990.201, 990.202, 990.203, 990.204, 990.205, 990.206, 990.207, 990.208, 990.209, 990.210, 990.211, 990.212, 990.213, 990.214, 990.215, 990.216, 990.217, 990.218, 990.219, 990.220, 990.221, 990.222, 990.223.
Продукция изготовлена в соответствии с Директивной 2014/53/ЕС «Исходное оборудование». Свальный выпуск

КОД ТИПА Т 8536 69 900 8

СООТВЕТСТВУЕТ ТРЕБОВАНИЯМ Технического регламента Таможенного союза ТР ТС 064/2011 "О безопасности низковольтного оборудования"

СЕРТИФИКАТ ВЫДАН НА ОСНОВАНИИ протокола испытаний № 1084/ИИ/М-2017 от 03.10.2017 года, выданного Испытательным центром Общества с ограниченной ответственностью «ЦЕНТР-СТАНДАРТ», аттестата аккредитации регистрационный № KA.RU.11N010.6, дата вступления в силу протокола от 27.09.2017 года органа по сертификации продукции Общества с ограниченной ответственностью «ЦЕНТР-СТАНДАРТ».

Схема сертификации: 1с

ДОПОЛНИТЕЛЬНАЯ ИНФОРМАЦИЯ Срок службы от даты технической документации. Срок и условия хранения указаны в технической документации, прилагаемой к изделию. Система, обозначенная в заявке Таможенного регламента Таможенного союза ТР ТС 064/2011 "О безопасности низковольтного оборудования": ГОСТ 30411-2002 "Соединения клеммные бытового и промышленного назначения. Часть 1. Общие требования и методы испытаний"; ГОСТ 30412-2002 "Соединения клеммные бытового и промышленного назначения. Часть 2. Дополнительные требования к клеммам и розеткам для клеммных соединений в приборе и методы испытаний".

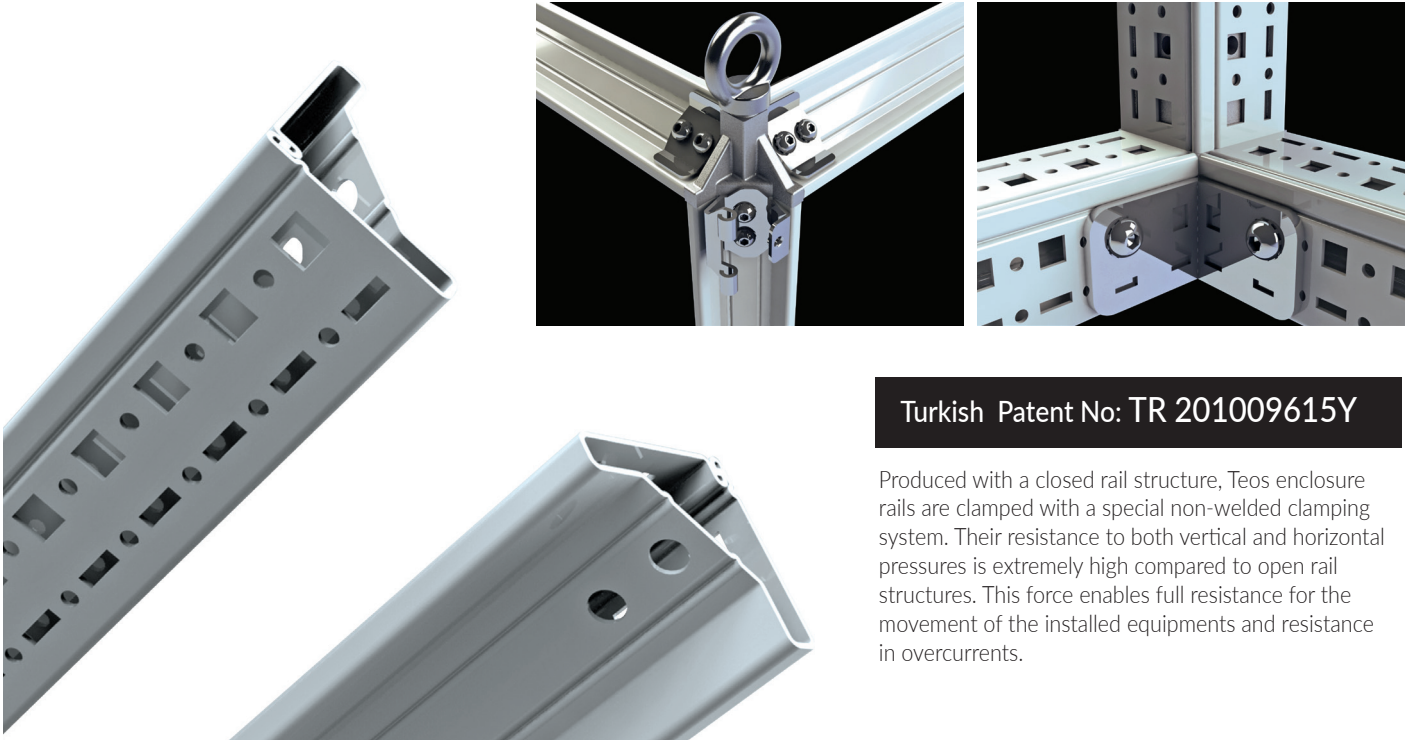
СРОК ДЕЙСТВИЯ 04.10.2017 ПО 03.10.2022 **ВКЛАДЧИТЕЛЬ**

Российская Федерация (уполномоченное лицо) органа по сертификации
Иванов (Иванов-Иванов)
Иванов (Иванов-Иванов)
Иванов (Иванов-Иванов)

Е.Н. Ушаков
(подпись, фамилия)
В.А. Тукенов
(подпись, фамилия)

- You can view the complete report on our websites

TEOS POWERED FRAME STRUCTURE



Turkish Patent No: TR 201009615Y

Produced with a closed rail structure, Teos enclosure rails are clamped with a special non-welded clamping system. Their resistance to both vertical and horizontal pressures is extremely high compared to open rail structures. This force enables full resistance for the movement of the installed equipments and resistance in overcurrents.

TEOS EARTING CONTINUTIY



Placed on the aluminium corner combination, the earthing hooks are tightly mounted on the uncoated inner surface of the rails by means of eroding. Thereby, the earthing continuity is ensured for all rails and their parts

Placed on the bottom-top inner parts of the front door, the earthing screw increases conductive surface. Thereby, the front door is more efficiently grounded as the most important part to be grounded.

Applied to all other cover plates, the earthing screws allow for the complete earthing of all enclosure cover plates. Furthermore, TEOS allows for earthing all parts by use of special grounding washers.

TEOS CORROSION PROTECTION

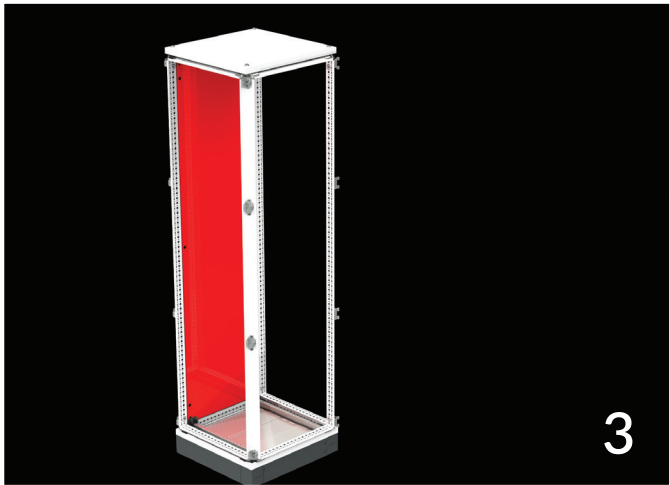
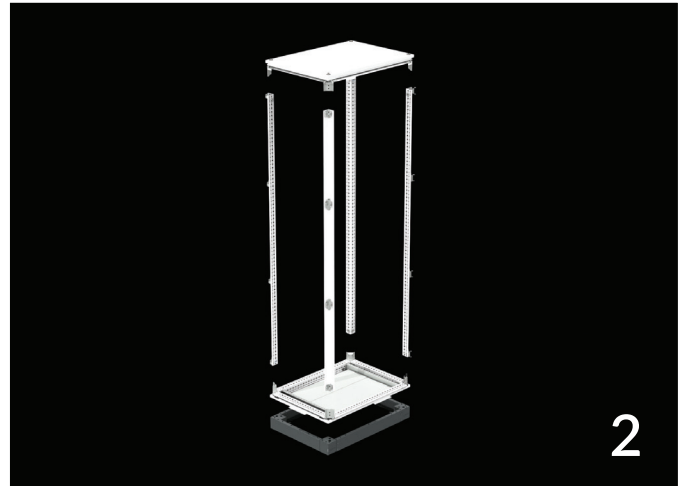
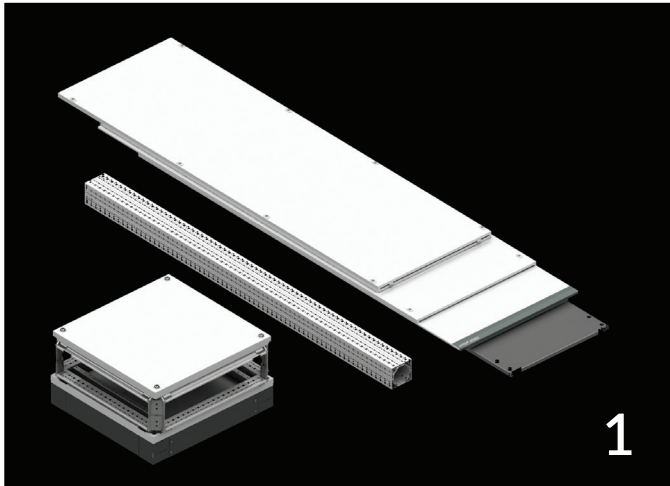


Teos closed frame made by galvanized steel (DIN EN 10142_00 DX51 D+Z) and coated iron-phosphated and powder coated from outside of the surface. Non-powder coated inside surface can not corrade because of the galvanized material style.

Manufactured from aliminum-cast (E-160) material, the rail connection corners do not corrode thanks to their aliminium structure.

All coated parts respectively undergo the automatic processes of washing, phosphating, deionized passivation- drying- coating- firing and are treated with active coating. 500 hour salt test resistance is acquired according to the test results of this process

TEOS EASY ASSEMBLING AND LOGISTICAL ADVANTAGES



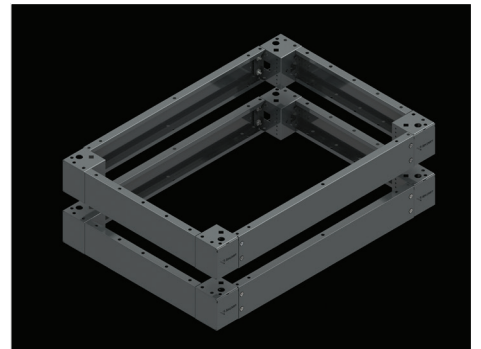
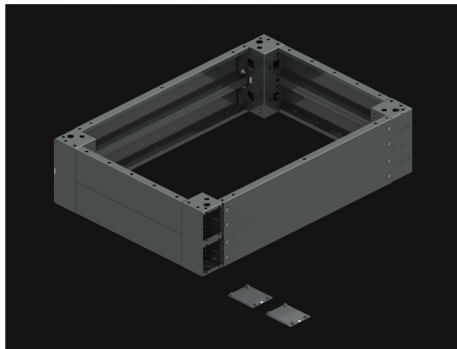
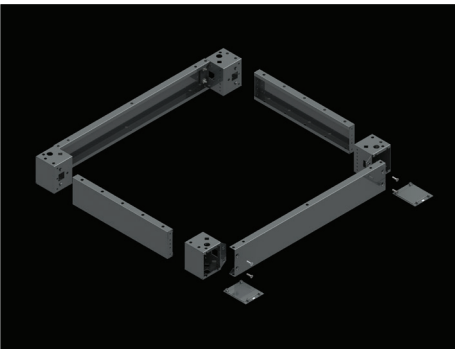
Offered as flat package, the TEOS series is designed for an easy mounting in a minimal amount of time. It does not require angulation for the body and can be mounted between 15-20 minutes by two people.

Offered as flat package, TEOS series save space during transportation and storage. However, since packages can be replaced with each other, they provide more solutions with less inventory.

You can access the Teos assembly video by scanning the QR code.



TEOS PLINTH SYSTEM



Front surfaces of the corner parts are open in the plinth system which is designed with a height of 100 mm and 200 mm. This enables not only an easy mounting on the enclosure but also an easy ground fixing. Upon the completion of this process, the plastic panel closes without use of screws.

Plinth front panels are mounted with screws while the side panels are screwed from the inside.

A separate corner can be used for plinth applications with a height of 200 mm as well as plinths with a height of 100 mm can be superimposed to reach the 200 mm height.

TEOS FRONT DOOR

Lock and hinge placed in four points



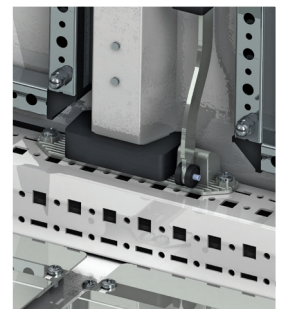
Wide Space and Strong Door Rail



Since locking is performed on the rails, inner space of the cover plates allows for a maximum efficiency.

As the closed support rails are manufactured as a completely closed box, they are more resistant to bending. This ensures a stronger cover plate

Comfort Handle Lock with Insert Protection



Rigid and Durable Lock Structure

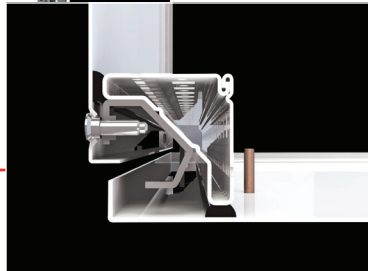


Lock failures experienced in most enclosures are prevented in TEOS. Thanks to their corrugated and long-lasting structure, the locking plates do not bend and corrode.

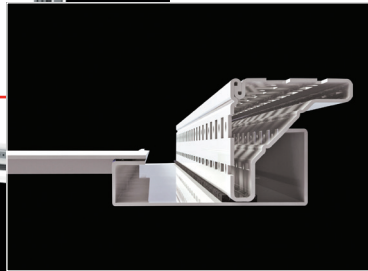
IP 55 - IP 65 PROTECTION CATEGORY



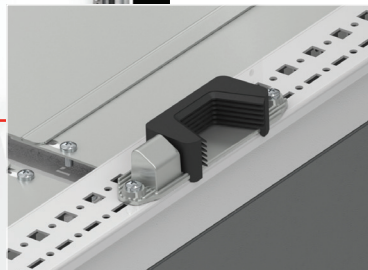
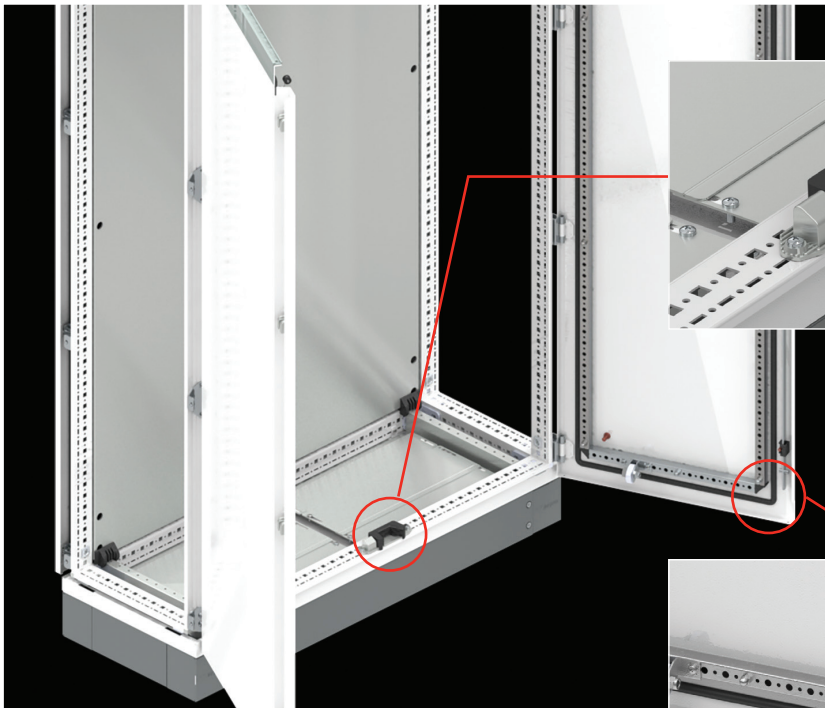
Sealing foam gaskets are used on the body door, back door, side panels and top panels of the enclosure. This gasket enables complete isolation between -40 and +100 C



All gaskets apply pressure on the convex frame curves. Dust and water particles are left in the space between the convex curves, and thus pressure on the gasket is prevented.



All seal applications on the covers press on the convex curves in the carcasses. Dust and water droplets are left in the area between these convex curves and the pressure on the seal is prevented.

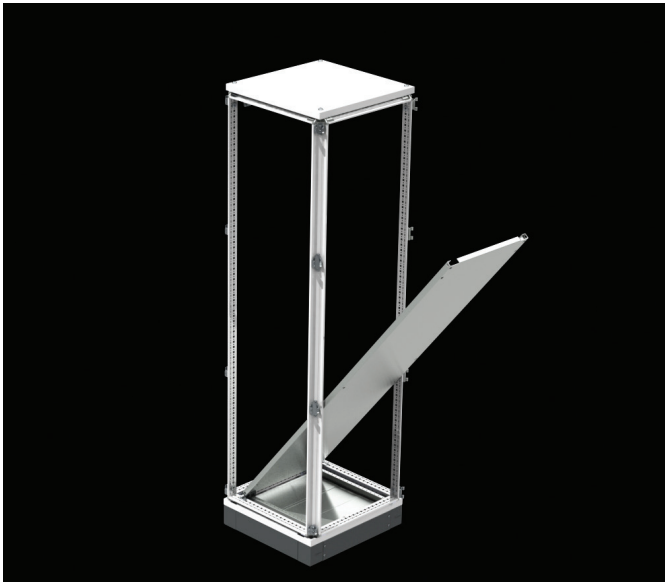


Applied to double-door enclosures, the insulating gasket assumes a full protective role between two panels and the frame when both doors close over the gasket.



Applied to all front doors and panels, the liquid seal is used in all double-door enclosures and acts as an insulator between two doors. Locking system of both doors work separately and this enables a full gasket pressing

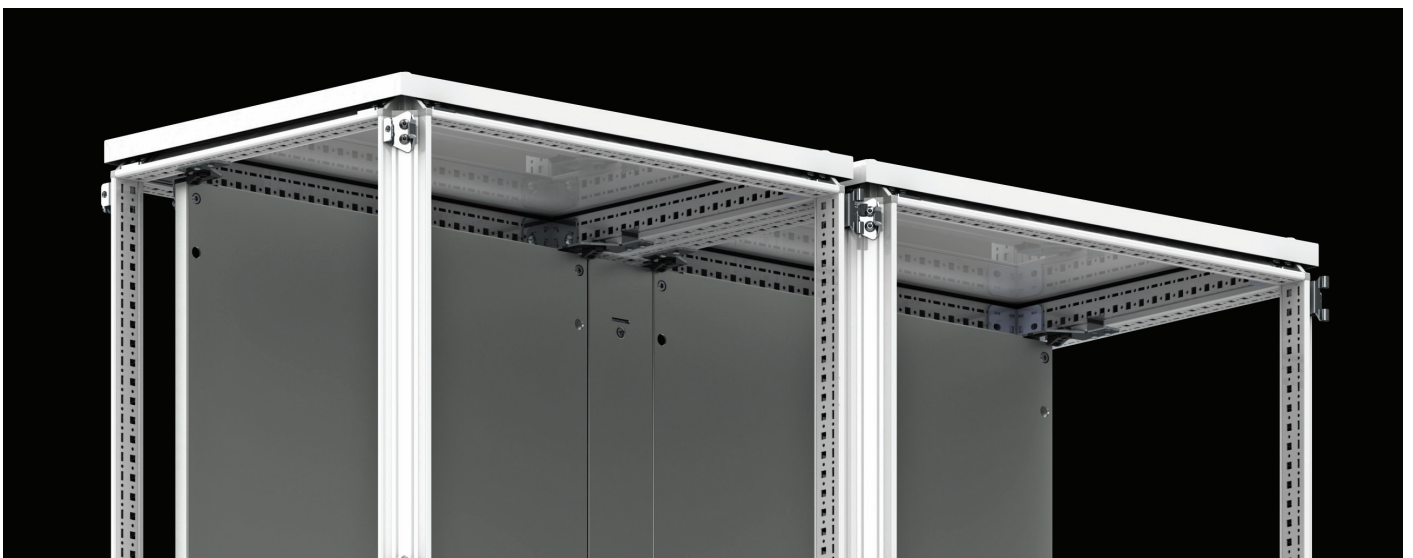
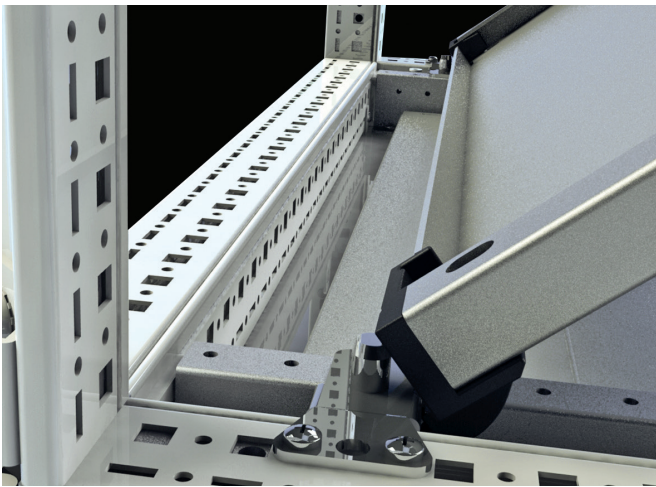
MOUNTING PLATE SYSTEM



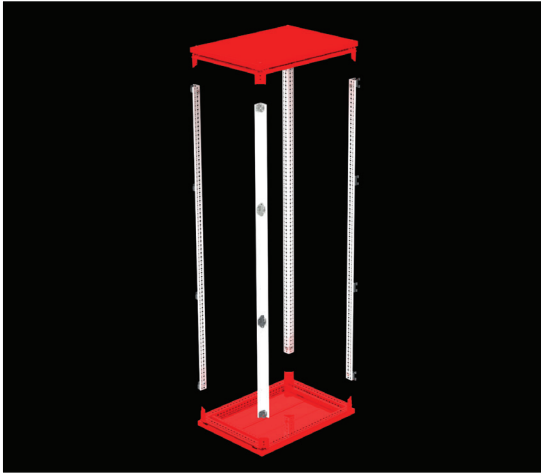
Manufactured from a 3,00 mm galvanized steel, TEOS mounting plates are railed and easily mounted. With its thick steel sheet structure, the mounting plate can carry heavy equipment with its rigid structure and does not need additional side support parts. In this way, bayed enclosure space is increased in combined enclosures.



Connected to the mounting plates, the intermediate mounting plate increases space and can move back and front together with the mounting plates.



TOP/BOTTOM GROUP



Relevant Size : ENCLOSURE WIDTH x DEPTH
 Material : Body : 1,50 mm galvanized steel+RAL7035 powder-coating
 Top Cover : 1,50 mm mild steel +RAL7035 powder-coating
 Bottom : 1,50 mm mild steel + RAL7035 powder-coating
 Gland Plate : 1,50 mm galvanized steel

Supply Includes : 1 set of upper body, 1 set of lower body, 1 pcs gland plate, 1 pcs top cover and body mounting parts.

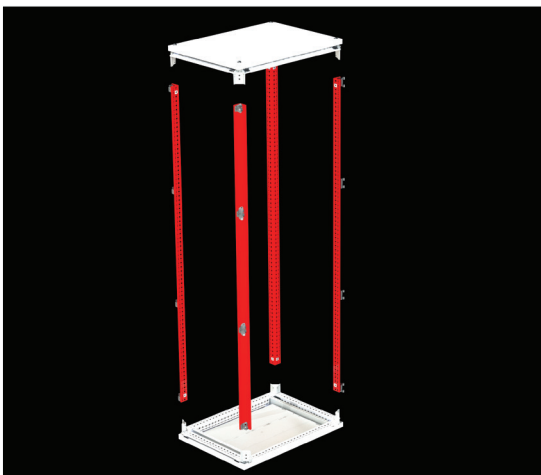
NOTE : 4 pcs eyebolts is added upon your request.

PRODUCT CODE	WIDTH (mm)	DEPTH (mm)
701.450	400	500
701.460	400	600
701.480	400	800
701.640	600	400
701.650	600	500
701.660	600	600
701.680	600	800
701.610	600	1000

PRODUCT CODE	WIDTH (mm)	DEPTH (mm)
701.740	700	400
701.750	700	500
701.760	700	600
701.780	700	800
701.840	800	400
701.850	800	500
701.860	800	600
701.880	800	800
701.810	800	1000

PRODUCT CODE	WIDTH (mm)	DEPTH (mm)
701.040	1000	400
701.050	1000	500
701.060	1000	600
701.080	1000	800
701.240	1200	400
701.250	1200	500
701.260	1200	600
701.280	1200	800

VERTICAL FRAME GROUP



Relevant Size : ENCLOSURE HEIGHT

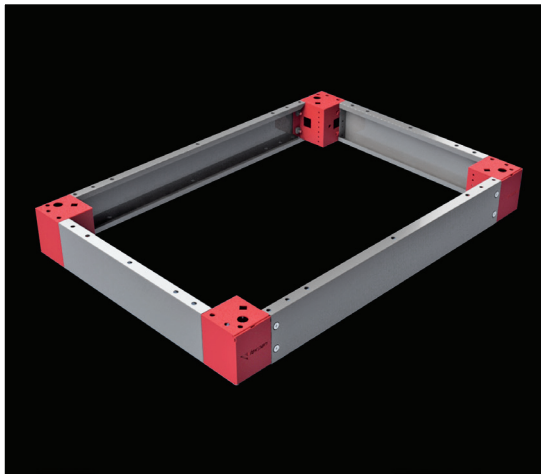
Material : Frame : 1,50 mm galvanized steel + RAL7035 powder-coating

Supply Includes : 4 pcs vertical frame

PRODUCT CODE	HEIGHT (mm)
702.120	1200
702.160	1600
702.180	1800
702.200	2000
702.220	2200

SIZES and MODELS (DISASSEMBLED)

PLINTH CORNER PART



Relevant Size : PLINTH HEIGHT

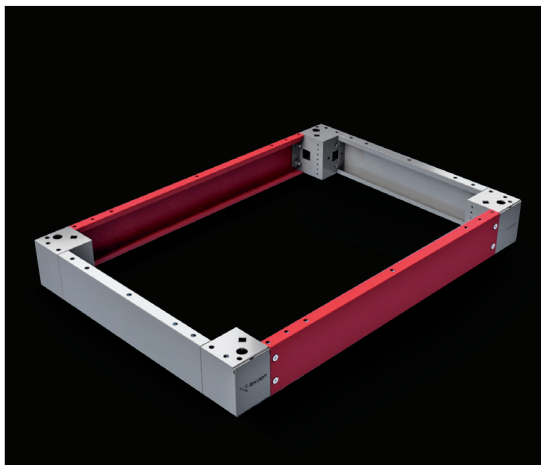
Material : Corner part : 2,00 mm galvanized steel + RAL 7012 powder-coating
 Plastic Panel : RAL 7012 ABS Plastic

Supply Includes : 4 pcs 100 mm or 200 mm high plinth corner part,
 4 pcs plastic cover and mounting parts

NOTE : Please see page 154-155 for plinth accessories.

PRODUCT CODE	TEOS Plinth Height (mm)
708.100	100
708.200	200

PLINTH FRONT COVERS



Relevant Size : ENCLOSURE WIDTH

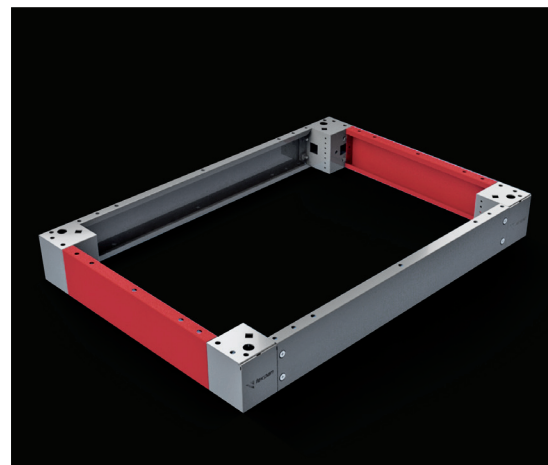
Material : 1,50 mm galvanized steel + RAL 7012 powder-coating

Supply Includes : 2 pcs 100 mm high front plinth panel and mounting parts

NECESSARY : 2 sets of front plinth panel group for 200 mm height plinths.

PRODUCT CODE	Enclosure Width (mm)
709.140	400
709.160	600
709.170	700
709.180	800
709.100	1000
709.120	1200

PLINTH SIDE COVERS



Relevant Size : ENCLOSURE DEPTH

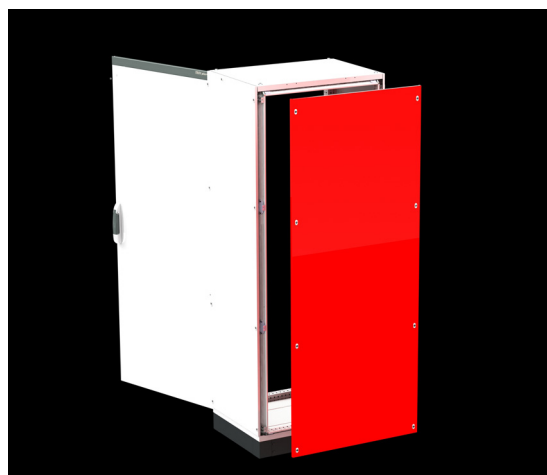
Material : 1,50 mm galvanized steel + RAL 7012 powder-coating

Supply Includes : 2 pcs 100 mm high side plinth panel and mounting parts

NECESSARY : 2 sets of front plinth panel group for 200 mm high plinths.

PRODUCT CODE	Enclosure Depth (mm)
710.140	400
710.150	500
710.160	600
710.180	800
710.100	1000

REAR PANEL GROUP



Relevant size : ENCLOSURE WIDTH x HEIGHT

Material : 1,50 mm mild steel + RAL 7035 powder-coating

Supply Includes : 1 pcs rear panel and mounting parts

PRODUCT CODE	WIDTH (mm)	HEIGHT (mm)
703.418	400	1800
703.420	400	2000
703.612	600	1200
703.616	600	1600
703.618	600	1800
703.620	600	2000
703.622	600	2200

PRODUCT CODE	WIDTH (mm)	HEIGHT (mm)
703.720	700	2000
703.812	800	1200
703.816	800	1600
703.818	800	1800
703.820	800	2000
703.822	800	2200

PRODUCT CODE	WIDTH (mm)	HEIGHT (mm)
703.018	1000	1800
703.020	1000	2000
703.212	1200	1200
703.216	1200	1600
703.218	1200	1800
703.220	1200	2000
703.222	1200	2200

SIDE PANELS



Relevant size : ENCLOSURE HEIGHT x DEPTH

Material : 1,50 mm mild steel + RAL 7035 powder-coating

Supply Includes : 2 pcs side panel and mounting parts

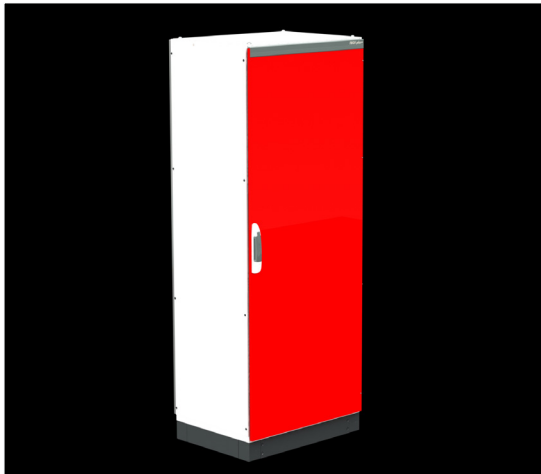
PRODUCT CODE	HEIGHT (mm)	DEPTH (mm)
706.124	1200	400
706.125	1200	500
706.126	1200	600
706.164	1600	400
706.165	1600	500
706.166	1600	600

PRODUCT CODE	HEIGHT (mm)	DEPTH (mm)
706.184	1800	400
706.185	1800	500
706.186	1800	600
706.188	1800	800
706.180	1800	1000

PRODUCT CODE	HEIGHT (mm)	DEPTH (mm)
706.204	2000	400
706.205	2000	500
706.206	2000	600
706.208	2000	800
706.226	2200	600
706.200	2000	1000
706.220	2200	1000

SIZES and MODELS (DISASSEMBLED)

SOLID FRONT DOOR



GLAZED FRONT DOOR



Relevant size : ENCLOSURE WIDTH x HEIGHT

Material : Solid Door : 2,00 mm mild steel + RAL 7035 powder-coating
 Glazed Door : 2,00 mm mild steel + RAL 7035 powder-coating
 4,00 mm tempered glass

Supply Includes : Solid Door : 1 pcs solid door, 1 set of lock, 4 set hinges and door stiffeners
 Glazed Door : 1 adet Glazed Door , 1 pcs glazed door, 1 set of lock, 4 sets of hinge and door support profile

ATTENTION : 800 mm and 1000 mm wide enclosures come in both single and double-door versions. 1200 mm wide enclosures come only in double-door versions. Only 600 mm and 800mm wide enclosures come with glazed doors.

ATTENTION : Doors of the double-door version are delivered in two separate packages.

PRODUCT CODE	WIDTH (mm)	HEIGHT (mm)	Door	PRODUCT CODE	WIDTH (mm)	HEIGHT (mm)	Door	PRODUCT CODE	WIDTH (mm)	HEIGHT (mm)	Door
724.418	400	1800	Single	724.812	800	1200	Single	724.018	1000	1800	Double
724.420	400	2000	Single	724.816	800	1600	Single	724.020	1000	2000	Double
724.612	600	1200	Single	724.818	800	1800	Single	724.021	1000	2000	Single
724.616	600	1600	Single	724.811	800	1800	Double	724.212	1200	1200	Double
724.618	600	1800	Single	724.820	800	2000	Single	724.216	1200	1600	Double
724.620	600	2000	Single	724.821	800	2000	Double	724.218	1200	1800	Double
724.622	600	2200	Single	724.822	800	2200	Single	724.220	1200	2000	Double
724.720	700	2000	Single					724.222	1200	2200	Double
GLAZED DOOR				GLAZED DOOR				GLAZED DOOR			
725.618	600	1800	Single	725.720	700	2000	Single	725.818	800	1800	Single
725.620	600	2000	Single					725.820	800	2000	Single

SIZES and MODELS (DISASSEMBLED)

MOUNTING PLATE



Relevant size : ENCLOSURE WIDTH x HEIGHT

Material : 3,00 mm Galvanized steel

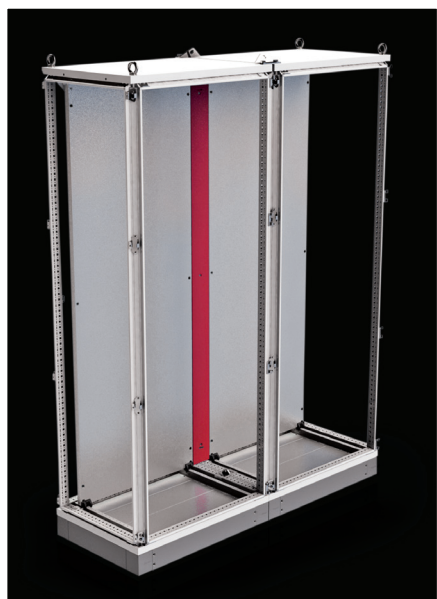
Supply Includes: 1 pcs mounting plate and mounting parts.

TEOS plus ENCLOSURE mm		
PRODUCT CODE	WIDTH (mm)	HEIGHT (mm)
717.418	400	1800
717.420	400	2000
707.612	600	1200
707.616	600	1600
707.618	600	1800
707.620	600	2000
707.622	600	2200

TEOS plus ENCLOSURE mm		
PRODUCT CODE	WIDTH (mm)	HEIGHT (mm)
707.718	700	1800
707.720	700	2000
707.812	800	1200
707.816	800	1600
707.818	800	1800
707.820	800	2000
707. 822	800	2200

TEOS plus ENCLOSURE mm		
PRODUCT CODE	WIDTH (mm)	HEIGHT (mm)
707.018	1000	1800
707.020	1000	2000
707.212	1200	1200
707.216	1200	1600
707.218	1200	1800
707.220	1200	2000
707.222	1200	2200

INTERMEDIATE MOUNTING PLATE



Relevant size : ENCLOSURE HEIGHT

Material : 2,00 mm galvanized steel

Supply Includes: 1 pcs mounting plate, 3 pcs bracket and mounting parts

PRODUCT CODE	ENCLOSURE HEIGHT (mm)
712.120	1200
712.160	1600
712.180	1800
712.200	2000
712.220	2200

SIZES and MODELS (DISASSEMBLED)

BAYING KIT

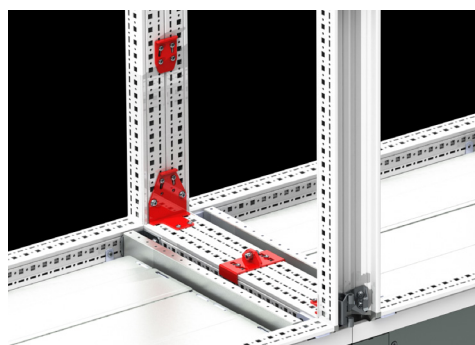


Material : 3,00 mm - 4,00 mm mild steel parts + zinc coated

Supply Includes : 2 pcs combination, 4 pcs angular brackets,
2 pcs adjustable bracket, 4 pcs fixing bracket,
5,60 m intermediate insulation gasket and mounting parts

Product Code : 711.000

NOTE : Please see page 159-162 for other
combination and support systems.



SIZES and MODELS (DISASSEMBLED)



		Height (H) 1200 mm			Height (H) 1600 mm		
ENCLOSURE DEPTH 500 mm (D)		ENCLOSURE WIDTH mm (W)			ENCLOSURE WIDTH mm (W)		
Step	Product Description	Single Door 600	Single Door 800	Double Door 1200	Single Door 600	Single Door 800	Double Door 1200
1	TOP/BOTTOM GROUP	701.650	701.850	701.250	701.650	701.850	701.250
2	VERTICAL FRAMES GROUP	702.120	702.120	702.120	702.160	702.160	702.160
3	PLINTH CORNER PART H100mm (H2)	708.100	708.100	708.100	708.100	708.100	708.100
3	PLINTH CORNER PART H200mm (H2)	708.200	708.200	708.200	708.200	708.200	708.200
4	PLINTH FRONT COVERS H100mm (H2)	709.160	709.180	709.120	709.160	709.180	709.120
5	PLINTH SIDE COVERS H100mm (H2)	710.150	710.150	710.150	710.150	710.150	710.150
6	REAR PANEL	703.612	703.812	703.212	703.616	703.816	703.216
7	FRONT DOOR (SOLID)	724.612	724.812	724.212	724.616	724.816	724.216
8	SIDE PANELS (2 pcs.)	706.125	706.125	706.125	706.165	706.165	706.165
9	MOUNTING PLATE	707.612	707.812	707.212	707.616	707.816	707.216
10	BAYING KIT	711.000	711.000	711.000	711.000	711.000	711.000
11	EYEBOLT(4 pcs.)	612.000	612.000	612.000	612.000	612.000	612.000

		Height (H) 1800 mm				
ENCLOSURE DEPTH 400 mm (D)		ENCLOSURE WIDTH mm (W)				
Step	Product Description	Single Door 600	Single Door 800	Double Door 800	Double Door 1000	Double Door 1200
1	TOP/BOTTOM GROUP	701.640	701.840	701.840	701.040	701.240
2	VERTICAL FRAMES GROUP	702.180	702.180	702.180	702.180	702.180
3	PLINTH CORNER PART H100mm (H2)	708.100	708.100	708.100	708.100	708.100
3	PLINTH CORNER PART H200mm (H2)	708.200	708.200	708.200	708.200	708.200
4	PLINTH FRONT COVERS H100mm (H2)	709.160	709.180	709.180	709.100	709.120
5	PLINTH SIDE COVERS H100mm (H2)	710.140	710.140	710.140	710.140	710.140
6	REAR PANEL	703.618	703.818	703.818	703.018	703.218
7	FRONT DOOR (SOLID)	724.618	724.818	724.811	724.018	724.218
7	FRONT DOOR (GLAZED)	725.618	725.818	-	-	-
8	SIDE PANELS (2 pcs.)	706.184	706.184	706.184	706.184	706.184
9	MOUNTING PLATE	707.618	707.818	707.818	707.018	707.218
10	BAYING KIT	711.000	711.000	711.000	711.000	711.000
11	EYEBOLT(4 pcs.)	612.000	612.000	612.000	612.000	612.000

SIZES and MODELS (DISASSEMBLED)

		Height (H) 1800 mm					
ENCLOSURE DEPTH 500 mm (D)		ENCLOSURE WIDTH mm (W)					
Step	Product Description	Single Door 400	Single Door 600	Single Door 800	Double Door 800	Double Door 1000	Double Door 1200
1	TOP/BOTTOM GROUP	701.450	701.650	701.850	701.850	701.050	701.250
2	VERTICAL FRAMES GROUP	702.180	702.180	702.180	702.180	702.180	702.180
3	PLINTH CORNER PART H100mm (H2)	708.100	708.100	708.100	708.100	708.100	708.100
3	PLINTH CORNER PART H200mm (H2)	708.200	708.200	708.200	708.200	708.200	708.200
4	PLINTH FRONT COVERS H100mm (H2)	709.140	709.160	709.180	709.180	709.100	709.120
5	PLINTH SIDE COVERS H100mm (H2)	710.150	710.150	710.150	710.150	710.150	710.150
6	REAR PANEL	703.418	703.618	703.818	703.818	703.018	703.218
7	FRONT DOOR (SOLID)	724.418	724.618	724.818	724.811	724.018	724.218
7	FRONT DOOR (GLAZED)	-	725.618	725.818	-	-	-
8	SIDE PANELS (2 pcs.)	706.185	706.185	706.185	706.185	706.185	706.185
9	MOUNTING PLATE	-	707.618	707.818	707.818	707.018	707.218
10	BAYING KIT	711.000	711.000	711.000	711.000	711.000	711.000
11	EYEBOLT(4 pcs.)	612.000	612.000	612.000	612.000	612.000	612.000

		Height (H) 1800 mm					
ENCLOSURE DEPTH 600 mm (D)		ENCLOSURE WIDTH mm (W)					
Step	Product Description	Single Door 400	Single Door 600	Single Door 800	Single Door 800	Double Door 1000	Double Door 1200
1	TOP/BOTTOM GROUP	701.460	701.660	701.860	701.860	701.060	701.260
2	VERTICAL FRAMES GROUP	702.180	702.180	702.180	702.180	702.180	702.180
3	PLINTH CORNER PART H100mm (H2)	708.100	708.100	708.100	708.100	708.100	708.100
3	PLINTH CORNER PART H200mm (H2)	708.200	708.200	708.200	708.200	708.200	708.200
4	PLINTH FRONT COVERS H100mm (H2)	709.140	709.160	709.180	709.180	709.100	709.120
5	PLINTH SIDE COVERS H100mm (H2)	710.160	710.160	710.160	710.160	710.160	710.160
6	REAR PANEL	703.418	703.618	703.818	703.818	703.018	703.218
7	FRONT DOOR (SOLID)	724.418	724.618	724.818	724.811	724.018	724.218
7	FRONT DOOR (GLAZED)	-	725.618	725.818	-	-	-
8	SIDE PANELS (2 pcs.)	706.186	706.186	706.186	706.186	706.186	706.186
9	MOUNTING PLATE	-	707.618	707.818	707.818	707.018	707.218
10	BAYING KIT	711.000	711.000	711.000	711.000	711.000	711.000
11	EYEBOLT(4 pcs.)	612.000	612.000	612.000	612.000	612.000	612.000

SIZES and MODELS (DISASSEMBLED)



		Height (H) 2000 mm						
ENCLOSURE DEPTH 400 mm (D)		ENCLOSURE WIDTH mm (W)						
Step	Product Description	Single Door 600	Single Door 700	Single Door 800	Double Door 800	Single Door 1000	Double Door 1000	Double Door 1200
1	TOP/BOTTOM GROUP	701.640	701.740	701.840	701.840	701.040	701.040	701.240
2	VERTICAL FRAMES GROUP	702.200	702.200	702.200	702.200	702.200	702.200	702.200
3	PLINTH CORNER PART H100mm (H2)	708.100	708.100	708.100	708.100	708.100	708.100	708.100
3	PLINTH CORNER PART H200mm (H2)	708.200	708.200	708.200	708.200	708.200	708.200	708.200
4	PLINTH FRONT COVERS H100mm (H2)	709.160	709.170	709.180	709.180	709.100	709.100	709.120
5	PLINTH SIDE COVERS H100mm (H2)	710.140	710.140	710.140	710.140	710.140	710.140	710.140
6	REAR PANEL	703.620	703.720	703.820	703.820	703.020	703.020	703.220
7	FRONT DOOR (SOLID)	724.620	724.720	724.820	724.821	724.021	724.020	724.220
7	FRONT DOOR (GLAZED)	725.620	725.720	725.820	-	-	-	-
8	SIDE PANELS (2 pcs)	706.204	706.204	706.204	706.204	706.204	706.204	706.204
9	MOUNTING PLATE	707.620	707.720	707.820	707.820	707.020	707.020	707.220
10	BAYING KIT	711.000	711.000	711.000	711.000	711.000	711.000	711.000
11	EYEBOLT(4 pcs.)	612.000	612.000	612.000	612.000	612.000	612.000	612.000

		Height (H) 2000 mm							
ENCLOSURE DEPTH 500 mm (D)		ENCLOSURE WIDTH mm (W)							
Step	Product Description	Single Door 400	Single Door 600	Single Door 700	Single Door 800	Double Door 800	Single Door 1000	Double Door 1000	Double Door 1200
1	TOP/BOTTOM GROUP	701.450	701.650	701.750	701.850	701.850	701.050	701.050	701.250
2	VERTICAL FRAMES GROUP	702.200	702.200	702.200	702.200	702.200	702.200	702.200	702.200
3	PLINTH CORNER PART H100mm (H2)	708.100	708.100	708.100	708.100	708.100	708.100	708.100	708.100
3	PLINTH CORNER PART H200mm (H2)	708.200	708.200	708.200	708.200	708.200	708.200	708.200	708.200
4	PLINTH FRONT COVERS H100mm (H2)	709.140	709.160	709.170	709.180	709.180	709.100	709.100	709.120
5	PLINTH SIDE COVERS H100mm (H2)	710.150	710.150	710.150	710.150	710.150	710.150	710.150	710.150
6	REAR PANEL	703.420	703.620	703.720	703.820	703.820	703.020	703.020	703.220
7	FRONT DOOR (SOLID)	724.420	724.620	724.720	724.820	724.821	724.021	724.020	724.220
7	FRONT DOOR (GLAZED)	-	725.620	725.720	725.820	-	-	-	-
8	SIDE PANELS (2 pcs)	706.205	706.205	706.205	706.205	706.205	706.205	706.205	706.205
9	MOUNTING PLATE	-	707.620	707.720	707.820	707.820	707.020	707.020	707.220
10	BAYING KIT	711.000	711.000	711.000	711.000	711.000	711.000	711.000	711.000
11	EYEBOLT(4 pcs.)	612.000	612.000	612.000	612.000	612.000	612.000	612.000	612.000

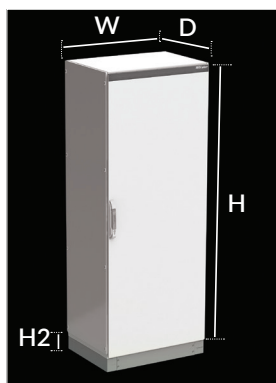
SIZES and MODELS (ASSEMBLED)

		Height (H) 2000 mm							
ENCLOSURE DEPTH 600 mm (D)		ENCLOSURE WIDTH mm (W)							
Step	Product Description	Single Door 400	Single Door 600	Single Door 700	Single Door 800	Double Door 800	Single Door 1000	Double Door 1000	Double Door 1200
1	TOP/BOTTOM GROUP	701.460	701.660	701.760	701.860	701.860	701.060	701.060	701.260
2	VERTICAL FRAMES GROUP	702.200	702.200	702.200	702.200	702.200	702.200	702.200	702.200
3	PLINTH CORNER PART H100mm (H2)	708.100	708.100	708.100	708.100	708.100	708.100	708.100	708.100
3	PLINTH CORNER PART H200mm (H2)	708.200	708.200	708.200	708.200	708.200	708.200	708.200	708.200
4	PLINTH FRONT COVERS H100mm (H2)	709.140	709.160	709.170	709.180	709.180	709.100	709.100	709.120
5	PLINTH SIDE COVERS H100mm (H2)	710.160	710.160	710.160	710.160	710.160	710.160	710.160	710.160
6	REAR PANEL	703.420	703.620	703.720	703.820	703.820	703.020	703.020	703.220
7	FRONT DOOR (SOLID)	724.420	724.620	724.720	724.820	724.821	724.021	724.020	724.220
7	FRONT DOOR (GLAZED)	-	725.620	725.720	725.820	-	-	-	-
8	SIDE PANELS (2 pcs)	706.206	706.206	706.206	706.206	706.206	706.206	706.206	706.206
9	MOUNTING PLATE	-	707.620	707.720	707.820	707.820	707.020	707.020	707.220
10	BAYING KIT	711.000	711.000	711.000	711.000	711.000	711.000	711.000	711.000
11	EYEBOLT(4 pcs.)	612.000	612.000	612.000	612.000	612.000	612.000	612.000	612.000

		Height (H) 2000 mm							
ENCLOSURE DEPTH 800 mm (D)		ENCLOSURE WIDTH mm (W)							
Step	Product Description	Single Door 400	Single Door 600	Single Door 700	Single Door 800	Double Door 800	Single Door 1000	Double Door 1000	Double Door 1200
1	TOP/BOTTOM GROUP	701.480	701.680	701.780	701.880	701.880	701.080	701.080	701.280
2	VERTICAL FRAMES GROUP	702.200	702.200	702.200	702.200	702.200	702.200	702.200	702.200
3	PLINTH CORNER PART H100mm (H2)	708.100	708.100	708.100	708.100	708.100	708.100	708.100	708.100
3	PLINTH CORNER PART H200mm (H2)	708.200	708.200	708.200	708.200	708.200	708.200	708.200	708.200
4	PLINTH FRONT COVERS H100mm (H2)	709.140	709.160	709.170	709.180	709.180	709.100	709.100	709.120
5	PLINTH SIDE COVERS H100mm (H2)	710.180	710.180	710.180	710.180	710.180	710.180	710.180	710.180
6	REAR PANEL	703.420	703.620	703.720	703.820	703.820	703.020	703.020	703.220
7	FRONT DOOR (SOLID)	724.420	724.620	724.720	724.820	724.821	724.021	724.020	724.220
7	FRONT DOOR (GLAZED)	-	725.620	725.720	725.820	-	-	-	-
8	SIDE PANELS (2 pcs)	706.208	706.208	706.208	706.208	706.208	706.208	706.208	706.208
9	MOUNTING PLATE	-	707.620	707.720	707.820	707.820	707.020	707.020	707.220
10	BAYING KIT	711.000	711.000	711.000	711.000	711.000	711.000	711.000	711.000
11	EYEBOLT(4 pcs.)	612.000	612.000	612.000	612.000	612.000	612.000	612.000	612.000

		Height (H) 2000 mm							
ENCLOSURE DEPTH 800 mm (D)		ENCLOSURE WIDTH mm (W)							
Step	Product Description	Single Door 400	Single Door 600	Single Door 700	Single Door 800	Double Door 800	Single Door 1000	Double Door 1000	Double Door 1200
1	TOP/BOTTOM GROUP	701.410	701.610	701.710	701.810	701.810	701.010	701.010	-
2	VERTICAL FRAMES GROUP	702.200	702.200	702.200	702.200	702.200	702.200	702.200	702.200
3	PLINTH CORNER PART H100mm (H2)	708.100	708.100	708.100	708.100	708.100	708.100	708.100	708.100
3	PLINTH CORNER PART H200mm (H2)	708.200	708.200	708.200	708.200	708.200	708.200	708.200	708.200
4	PLINTH FRONT COVERS H100mm (H2)	709.140	709.160	709.170	709.180	709.180	709.100	709.100	709.120
5	PLINTH SIDE COVERS H100mm (H2)	710.110	710.110	710.110	710.110	710.110	710.110	710.110	710.110
6	REAR PANEL	703.420	703.620	703.720	703.820	703.820	703.020	703.020	703.220
7	FRONT DOOR (SOLID)	724.420	724.620	724.720	724.820	724.821	724.021	724.020	724.220
7	FRONT DOOR (GLAZED)	-	725.620	725.720	725.820	-	-	-	-
8	SIDE PANELS (2 pcs)	706.210	706.210	706.210	706.210	706.210	706.210	706.210	706.210
9	MOUNTING PLATE	-	707.620	707.720	707.820	707.820	707.020	707.020	707.220
10	BAYING KIT	711.000	711.000	711.000	711.000	711.000	711.000	711.000	711.000
11	EYEBOLT(4 pcs.)	612.000	612.000	612.000	612.000	612.000	612.000	612.000	612.000

SIZES and MODELS (ASSEMBLED)



		Height (H) 2200 mm		
		ENCLOSURE WIDTH mm (W)		
ENCLOSURE DEPTH 600 mm (D)		Single Door 600	Single Door 800	Double Door 1200
Step	Product Description			
1	TOP/BOTTOM GROUP	701.660	701.860	701.260
2	VERTICAL FRAMES GROUP	702.220	702.220	702.220
3	PLINTH CORNER PART H100mm (H2)	708.100	708.100	708.100
3	PLINTH CORNER PART H200mm (H2)	708.200	708.200	708.200
4	PLINTH FRONT COVERS H100mm (H2)	709.160	709.180	709.120
5	PLINTH SIDE COVERS H100mm (H2)	710.160	710.160	710.160
6	REAR PANEL	703.622	703.822	703.222
7	FRONT DOOR (SOLID)	724.622	724.822	724.222
8	SIDE PANELS (2 pcs)	706.226	706.226	706.226
9	MOUNTING PLATE	707.622	707.822	707.222
10	BAYING KIT	711.000	711.000	711.000
11	EYEBOLT(4 pcs.)	612.000	612.000	612.000

SOLID DOOR, MOUNTING PLATE						
HEIGHT (H) 1200						Side Panel (2 Pcs)
WIDTH (W)	HEIGHT (H)	DEPTH (D)	Without Plinth	H100 with Plinth	H200 with Plinth	
600	1200	500	706.125.011	706.125.111	706.125.211	706.125
800	1200	500	708.125.011	708.125.111	708.125.211	706.125
1200	1200	500	712.125.011	712.125.111	712.125.211	706.125

SOLID DOOR, Without MOUNTING PLATE						
HEIGHT (H) 1200						Side Panel (2 Pcs)
WIDTH (W)	HEIGHT (H)	DEPTH (D)	Without Plinth	H100 with Plinth	H200 with Plinth	
600	1200	500	706.125.000	706.125.100	706.125.200	706.125
800	1200	500	708.125.000	708.125.100	708.125.200	706.125
1200	1200	500	712.125.000	712.125.100	712.125.200	706.125

- ATTENTION** : Mounting Plate thickness of the mounting plate is chosen as 3,00 mm as standard.
- ATTENTION** : Mounting Plate, Side Panel and Plinth are optional as per selection table
- REQUIRED** : For panel assembly, a baying kit is required for each baying point. Baying Kit **Product Code: 711.000**
- SUPPLY INCLUDES** : Top / Bottom Group, Vertical Frame Group, Front Door, Rear Panel

SIZES and MODELS (ASSEMBLED)

SOLID DOOR, MOUNTING PLATE						
HEIGHT (H) 1600						Side Panel (2 Pcs)
WIDTH (W)	HEIGHT (H)	DEPTH (D)	Without Plinth	H100 with Plinth	H200 with Plinth	
600	1200	500	706.165.011	706.165.111	706.165.211	706.165
800	1200	500	708.165.011	708.165.111	708.165.211	706.165
1200	1200	500	712.165.011	712.165.111	712.165.211	706.165

SOLID DOOR, Without MOUNTING PLATE						
HEIGHT (H) 1600						Side Panel (2 Pcs)
WIDTH (W)	HEIGHT (H)	DEPTH (D)	Without Plinth	H100 with Plinth	H200 with Plinth	
600	1200	500	706.165.000	706.165.100	706.165.200	706.165
800	1200	500	708.165.000	708.165.100	708.165.200	706.165
1200	1200	500	712.165.000	712.165.100	712.165.200	706.165

- ATTENTION** : Mounting Plate thickness of the mounting plate is chosen as 3,00 mm as standard.
ATTENTION : Mounting Plate, Side Panel and Plinth are optional as per selection table
REQUIRED : For panel assembly, a baying kit is required for each baying point. Baying Kit Product Code: 711.000
SUPPLY INCLUDES : Top / Bottom Group, Vertical Frame Group, Front Door, Rear Panel

HEIGHT (H) 1800		SOLID DOOR, MOUNTING PLATE			SOLID DOOR, Without MOUNTING PLATE		
WIDTH (W)	DEPTH (D)	Without Plinth	H100 with Plinth	H200 with Plinth	Without Plinth	H100 with Plinth	H200 with Plinth
400	500	704.185.011	704.185.111	704.185.211	704.185.000	704.185.100	704.185.200
400	600	704.186.011	704.186.111	704.186.211	704.186.000	704.186.100	704.186.200
600	400	706.184.011	706.184.111	706.184.211	706.184.000	706.184.100	706.184.200
600	500	706.185.011	706.185.111	706.185.211	706.185.000	706.185.100	706.185.200
600	600	706.186.011	706.186.111	706.186.211	706.186.000	706.186.100	706.186.200
800	400	708.184.011	708.184.111	708.184.211	708.184.000	708.184.100	708.184.200
800	500	708.185.011	708.185.111	708.185.211	708.185.000	708.185.100	708.185.200
800	600	708.186.011	708.186.111	708.186.211	708.186.000	708.186.100	708.186.200
1000	400	710.184.011	710.184.111	710.184.211	710.184.000	710.184.100	710.184.200
1000	500	710.185.011	710.185.111	710.185.211	710.185.000	710.185.100	710.185.200
1000	600	710.186.011	710.186.111	710.186.211	710.186.000	710.186.100	710.186.200
1200	400	712.184.011	712.184.111	712.184.211	712.184.000	712.184.100	712.184.200
1200	500	712.185.011	712.185.111	712.185.211	712.185.000	712.185.100	712.185.200
1200	600	712.186.011	712.186.111	712.186.211	712.186.000	712.186.100	712.186.200

Height (H) 1800		GLAZED DOOR, MOUNTING PLATE			GLAZED DOOR, without MOUNTING PLATE		
WIDTH (W)	DEPTH (D)	Without Plinth	H100 with Plinth	H200 with Plinth	Without Plinth	H100 with Plinth	H200 with Plinth
600	400	776.184.011	776.184.111	776.184.211	776.184.000	776.184.100	776.184.200
600	500	776.185.011	776.185.111	776.185.211	776.185.000	776.185.100	776.185.200
600	600	776.186.011	776.186.111	776.186.211	776.186.000	776.186.100	776.186.200
800	400	778.184.011	778.184.111	778.184.211	778.184.000	778.184.100	778.184.200
800	500	778.185.011	778.185.111	778.185.211	778.185.000	778.185.100	778.185.200
800	600	778.186.011	778.186.111	778.186.211	778.186.000	778.186.100	778.186.200

- ATTENTION** : Mounting Plate thickness of the mounting plate is chosen as 3,00 mm as standard.
ATTENTION : Mounting Plate, Side Panel and Plinth are optional as per selection table
REQUIRED : For panel assembly, a baying kit is required for each baying point. Baying Kit Product Code: 711.000
SUPPLY INCLUDES : Top / Bottom Group, Vertical Frame Group, Front Door, Rear Panel

SIZES and MODELS (ASSEMBLED)

Height (H) 2000		SOLID DOOR, MOUNTING PLATE			SOLID DOOR, Without MOUNTING PLATE		
Width (W)	Depth (D)	Without Plinth	H100 with Plinth	H200 with Plinth	Without Plinth	H100 with Plinth	H200 with Plinth
400	500	704.205.011	704.205.111	704.205.211	704.205.000	704.205.100	704.205.200
400	600	704.206.011	704.206.111	704.206.211	704.206.000	704.206.100	704.206.200
400	800	704.208.011	704.208.111	704.208.211	704.208.000	704.208.100	704.208.200
600	400	706.204.011	706.204.111	706.204.211	706.204.000	706.204.100	706.204.200
600	500	706.205.011	706.205.111	706.205.211	706.205.000	706.205.100	706.205.200
600	600	706.206.011	706.206.111	706.206.211	706.206.000	706.206.100	706.206.200
600	800	706.208.011	706.208.111	706.208.211	706.208.000	706.208.100	706.208.200
600	1000	706.200.011	706.200.111	706.200.211	706.200.000	706.210.000	706.220.000
700	400	707.204.011	707.204.111	707.204.211	707.204.000	707.204.100	707.204.200
700	500	707.205.011	707.205.111	707.205.211	707.205.000	707.205.100	707.205.200
700	600	707.206.011	707.206.111	707.206.211	707.206.000	707.206.100	707.206.200
700	800	707.208.011	707.208.111	707.208.211	707.208.000	707.208.100	707.208.200
800	400	708.204.011	708.204.111	708.204.211	708.204.000	708.204.100	708.204.200
800	500	708.205.011	708.205.111	708.205.211	708.205.000	708.205.100	708.205.200
800	600	708.206.011	708.206.111	708.206.211	708.206.000	708.206.100	708.206.200
800	800	708.208.011	708.208.111	708.208.211	708.208.000	708.208.100	708.208.200
800	1000	708.200.011	708.200.111	708.200.211	708.200.000	708.210.000	708.220.000
1000	400	710.204.011	710.204.111	710.204.211	710.204.000	710.204.100	710.204.200
1000	500	710.205.011	710.205.111	710.205.211	710.205.000	710.205.100	710.205.200
1000	600	710.206.011	710.206.111	710.206.211	710.206.000	710.206.100	710.206.200
1000	800	710.208.011	710.208.111	710.208.211	710.208.000	710.208.100	710.208.200
1200	400	712.204.011	712.204.111	712.204.211	712.204.000	712.204.100	712.204.200
1200	500	712.205.011	712.205.111	712.205.211	712.205.000	712.205.100	712.205.200
1200	600	712.206.011	712.206.111	712.206.211	712.206.000	712.206.100	712.206.200
1200	800	712.208.011	712.208.111	712.208.211	712.208.000	712.208.100	712.208.200

- ATTENTION** : Mounting Plate thickness of the mounting plate is chosen as 3,00 mm as standard.
ATTENTION : Mounting Plate, Side Panel and Plinth are optional as per selection table
REQUIRED : For panel assembly, a baying kit is required for each baying point. Baying Kit **Product Code: 711.000**
SUPPLY INCLUDES : Top / Bottom Group, Vertical Frame Group, Front Door, Rear Panel

SIZES and MODELS (ASSEMBLED)

Height (H) 2000		GLAZED DOOR, MOUNTING PLATE			Side Panel (2 Pcs)	GLAZED DOOR, without MOUNTING PLATE		
Width (W)	Depth (D)	Without Plinth	H100 with Plinth	H200 with Plinth		Without Plinth	H100 with Plinth	H200 with Plinth
600	400	776.204.011	776.204.111	776.204.211	706.204	776.204.000	776.204.100	776.204.200
600	500	776.205.011	776.205.111	776.205.211	706.205	776.205.000	776.205.100	776.205.200
600	600	776.206.011	776.206.111	776.206.211	706.206	776.206.000	776.206.100	776.206.200
600	800	776.208.011	776.208.111	776.208.211	706.208	776.208.000	776.208.100	776.208.200
600	1000	776.200.011	776.200.111	776.200.211	706.200	776.200.000	776.210.000	776.220.000
700	400	777.204.011	777.204.111	777.204.211	706.204	777.204.000	777.204.100	777.204.200
700	500	777.205.011	777.205.111	777.205.211	706.205	777.205.000	777.205.100	777.205.200
700	600	777.206.011	777.206.111	777.206.211	706.206	777.206.000	777.206.100	777.206.200
700	800	777.208.011	777.208.111	777.208.211	706.208	777.208.000	777.208.100	777.208.200
800	400	778.204.011	778.204.111	778.204.211	706.204	778.204.000	778.204.100	778.204.200
800	500	778.205.011	778.205.111	778.205.211	706.205	778.205.000	778.205.100	778.205.200
800	600	778.206.011	778.206.111	778.206.211	706.206	778.206.000	778.206.100	778.206.200
800	800	778.208.011	778.208.111	778.208.211	706.208	778.208.000	778.208.100	778.208.200
800	1000	778.200.011	778.200.111	778.200.211	706.200	778.200.000	778.210.100	778.210.200

- ATTENTION** : Mounting Plate thickness of the mounting plate is chosen as 3,00 mm as standard.
ATTENTION : Mounting Plate, Side Panel and Plinth are optional as per selection table
REQUIRED : For panel assembly, a baying kit is required for each baying point. Baying Kit Product Code: 711.000
SUPPLY INCLUDES : Top / Bottom Group, Vertical Frame Group, Front Door, Rear Panel

SOLID DOOR, MOUNTING PLATE						
Height (H) 2200						Side Panel (2 Pcs)
Width (W)	Height (H)	Depth (D)	Without Plinth	H100 with Plinth	H200 with Plinth	
600	2200	600	706.226..011	706.226.111	706.165.211	706.226
800	2200	600	708.226011	708.226.111	708.165.211	706.226
1200	2200	600	712.226.011	712.226.111	712.165.211	706.226

SOLID DOOR, without MOUNTING PLATE						
Height (H) 2200						Side Panel (2 Pcs)
Width (W)	Height (H)	Depth (D)	Without Plinth	H100 with Plinth	H200 with Plinth	
600	2200	600	706.226.000	706.226.100	706.226.200	706.226
800	2200	600	708.226.000	708.226.100	708.226.200	706.226
1200	2200	600	712.226.000	712.226.100	712.226.200	706.226

- ATTENTION** : Mounting Plate thickness of the mounting plate is chosen as 3,00 mm as standard.
ATTENTION : Mounting Plate, Side Panel and Plinth are optional as per selection table
REQUIRED : For panel assembly, a baying kit is required for each baying point. Baying Kit Product Code: 711.000
SUPPLY INCLUDES : Top / Bottom Group, Vertical Frame Group, Front Door, Rear Panel