

Our new design compact enclosures

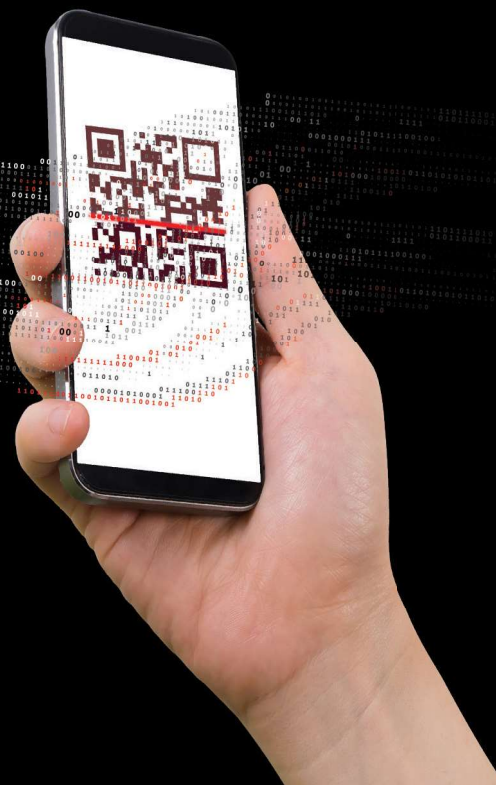


More Functional

Our experience is to ease challenging conditions. We offer practical and comfortable solutions with a broad range of ergonomic designs and accessories.

More Accessible

We combined our expertise with technology. You can now access all our solutions via QR code whenever you need them.



More Aesthetic

The Radius corner structure gives our enclosures a modern and elegant design, offering an aesthetic look and distinct style.



Safer

Our next-generation compact enclosures were manufactured with automatic welding by state-of-the-art robots. They offer a longer service life and higher durability with their robust and safe structure.





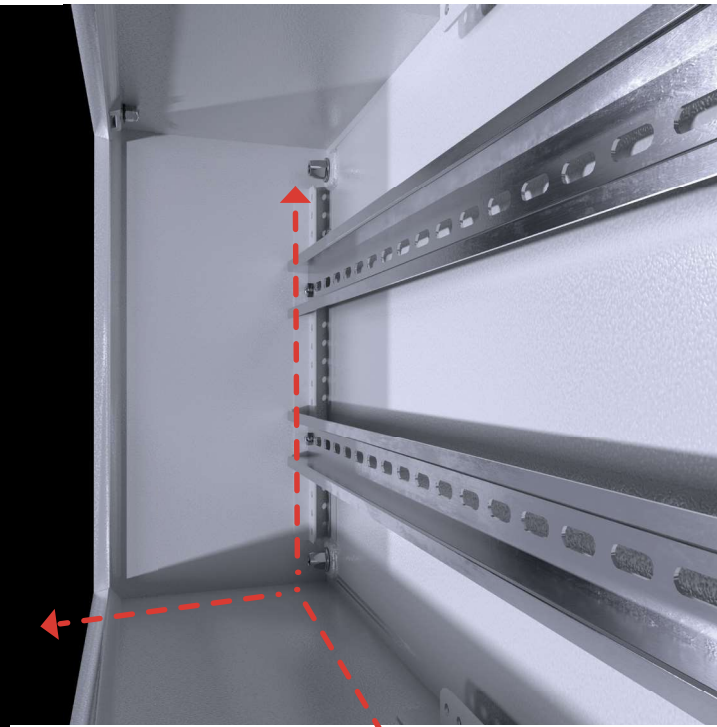
Externally attachable
wall bracket



Earthing integration



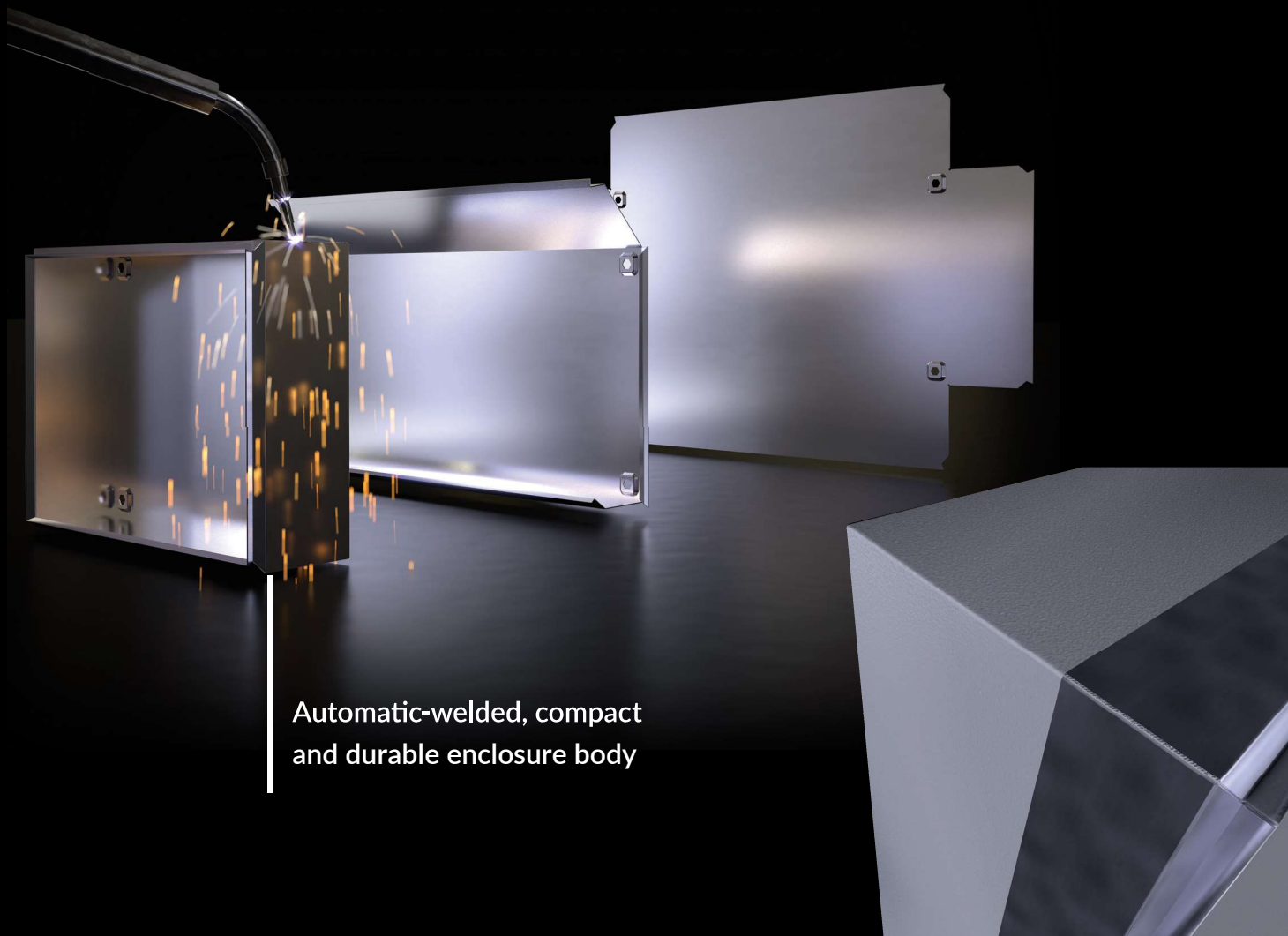
Easy access with
180° opening hinges



Modern and stylish look with the Radius corner structure and new lock

Easy lock/unlock flexibility with the quarter-turn lock system

Mountable with 7.5 - 15 mm DIN rail for wide usage area
Possibility to attach mounting plate with wide usage area



Automatic-welded, compact and durable enclosure body

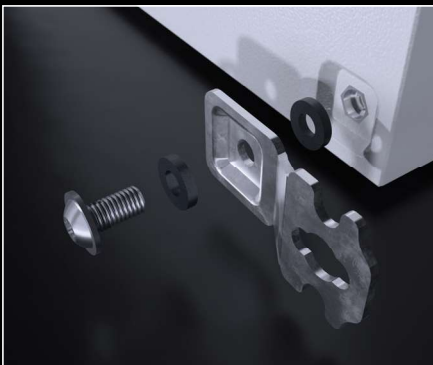


Materials : Main Body, Door Mild Steel
Surface Finishing : Iron-phosphate + electrostatic powder coating RAL 7035
IP Rate : IEC EN 60529 IP 66
NEMA Rate : Nema 4

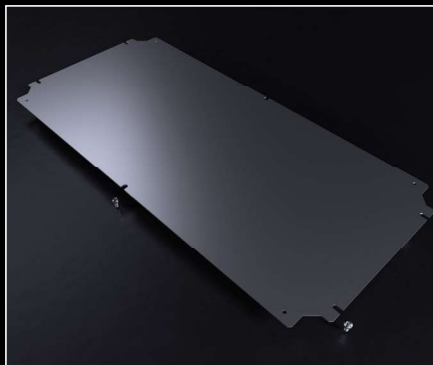
Standards : IEC 62208 (Enclosure Standards)
Corrosion Rate : C3-M based on TS EN ISO 12944-2
Warranty : KYT-72
Supply Includes : Body, Locked Cover, Assembly Parts

ACCESSORIES:

Wall Bracket p.: 55



Mounting Plate p.: 60



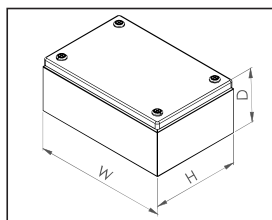
Earthing Cable p.: 71



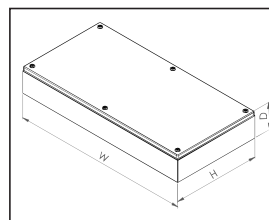
Other Accessories p.: 50

KT TERMINAL BOX

PRODUCT CODE	ENCLOSURE				STEEL THICKNESSES		COVER		
	W*	H*	D*	WEIGHT	BODY	COVER	LOCK	HINGE	VERSION
	mm	mm	mm	kg	mm	mm	pcs.	pcs.	
KT 351.180	150	150	80	1,15	1,2	1,2	4	N/A	1
KT 352.180	200	150	80	1,38	1,2	1,2	4	N/A	1
KT 352.280	200	200	80	1,65	1,2	1,2	4	N/A	1
KT 353.180	300	150	80	1,83	1,2	1,2	4	N/A	1
KT 353.280	300	200	80	2,19	1,2	1,2	4	N/A	1
KT 354.280	400	200	80	2,74	1,2	1,2	4	N/A	1
KT 351.112	150	150	120	1,67	1,2	1,2	4	N/A	1
KT 352.112	200	150	120	1,94	1,2	1,2	4	N/A	1
KT 352.212	200	200	120	2,24	1,2	1,2	4	N/A	1
KT 353.112	300	150	120	2,46	1,2	1,2	4	N/A	1
KT 353.212	300	200	120	2,86	1,2	1,2	4	N/A	1
KT 353.312	300	300	120	3,67	1,2	1,2	4	N/A	1
KT 354.112	400	150	120	2,98	1,2	1,2	4	N/A	1
KT 354.212	400	200	120	3,48	1,2	1,2	4	N/A	1
KT 354.312	400	300	120	4,48	1,2	1,2	4	N/A	1
KT 354.412	400	400	120	5,47	1,2	1,2	4	N/A	1
KT 355.212	500	200	120	4,10	1,2	1,2	4	N/A	1
KT 355.312	500	300	120	5,28	1,2	1,2	4	N/A	1
KT 356.212	600	200	120	4,72	1,2	1,2	4	N/A	1
KT 356.312	600	300	120	6,09	1,2	1,2	6	N/A	2
KT 356.412	600	400	120	7,46	1,2	1,2	6	N/A	2
KT 358.212	800	200	120	5,96	1,2	1,2	6	N/A	2
KT 358.412	800	400	120	9,45	1,2	1,2	6	N/A	2



Version 1



Version 2

Catalogue



Assembly Instructions



Materials : Main Body, Door Mild Steel

Surface Finishing : Iron-phosphate + electrostatic powder coating RAL 7035

IP Rate : IEC EN 60529 IP 66

NEMA Rate : Nema 4

Standards : IEC 62208 (Enclosure Standards)

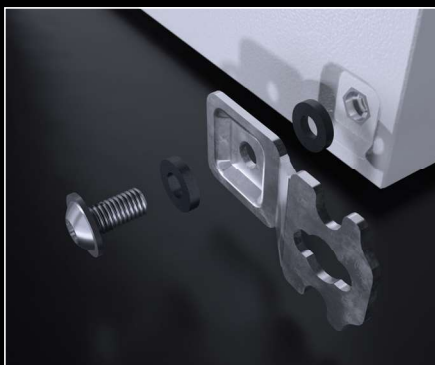
Corrosion Rate : C3-M based on TS EN ISO 12944-2

Warranty : KYT-72

Supply Includes : Body, Hinged Door, Assembly Parts

ACCESSORIES:

Wall Bracket p.: 55



Mounting Plate p.: 60



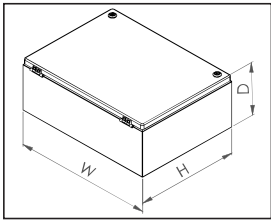
Earthing Cable p.: 71



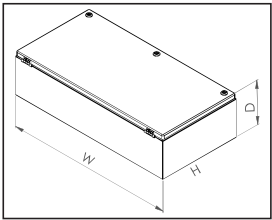
Other Accessories p.: 50

KT SOLID DOOR BUS BOX

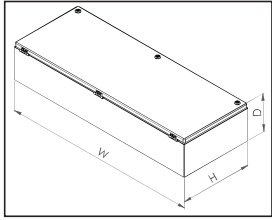
PRODUCT CODE	ENCLOSURE				STEEL THICKNESSES		COVER		
	W*	H*	D*	WEIGHT	BODY	COVER	LOCK	HINGE	VERSION
	mm	mm	mm	kg	mm	mm	pcs.	pcs.	
KT 364.215	400	200	155	4,23	1,2	1,2	2	2	1
KT 364.315	400	300	155	5,29	1,2	1,2	2	2	1
KT 366.315	600	300	155	7,04	1,2	1,2	3	2	2
KT 368.315	800	300	155	8,78	1,2	1,2	3	3	3



Version 1



Version 2



Version 3

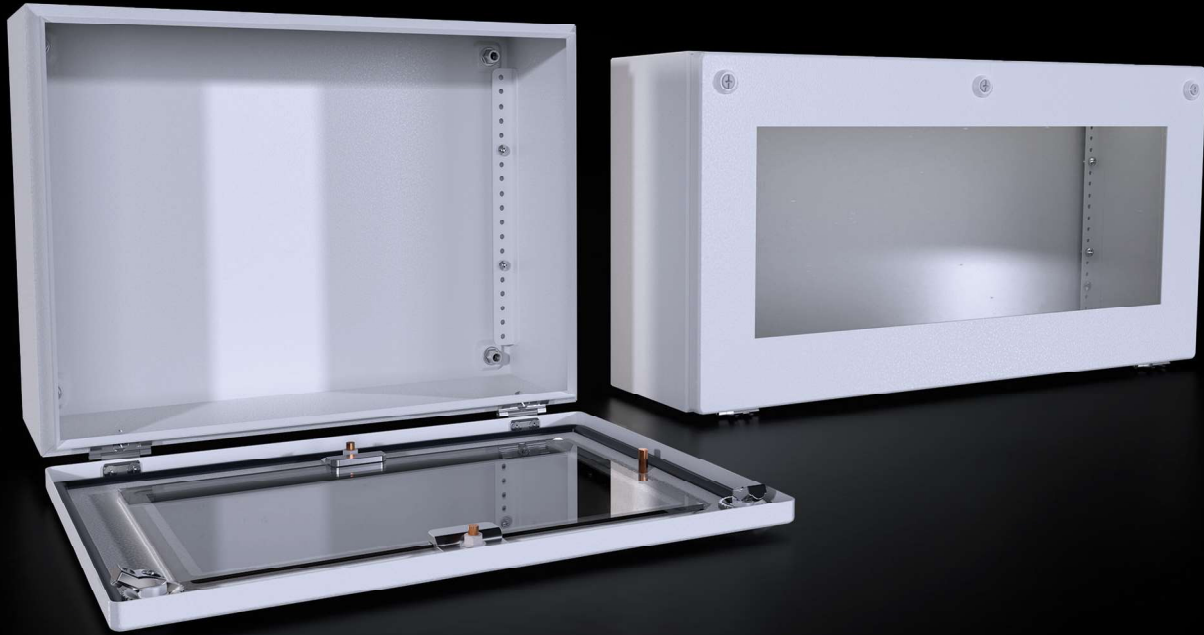
Catalogue



Assembly Instructions



KT GLAZED DOOR BUS BOX

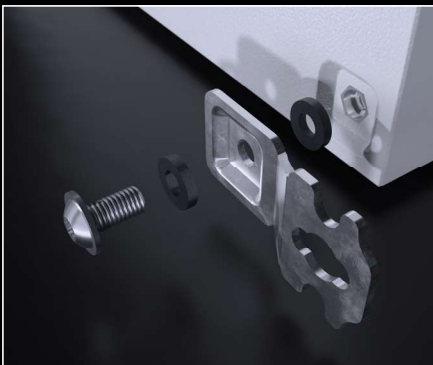


Materials : Main Body, Door Mild Steel
Surface Finishing : Iron-phosphate + electrostatic powder coating RAL 7035
IP Rate : IEC EN 60529 IP 66
NEMA Rate : Nema 4

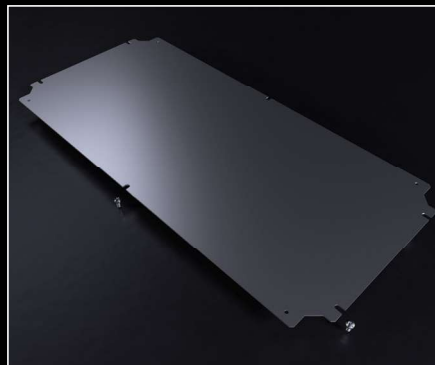
Standards : IEC 62208 (Enclosure Standards)
Corrosion Rate : C3-M based on TS EN ISO 12944-2
Warranty : KYT-72
Supply Includes : Body, Glazed Hinged Door, Assembly Parts

ACCESSORIES:

Wall Bracket p.: 55



Mounting Plate p.: 60



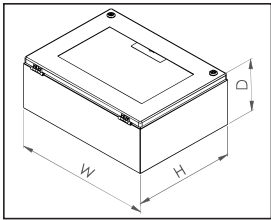
Earthing Cable p.: 71



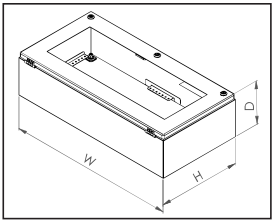
Other Accessories p.: 50

KT GLAZED DOOR BUS BOX

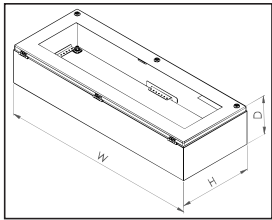
PRODUCT CODE	ENCLOSURE				STEEL THICKNESSES		COVER		
	W*	H*	D*	WEIGHT	BODY	COVER	LOCK	HINGE	VERSION
	mm	mm	mm	kg	mm	mm	pcs.	pcs.	
KT 374.215	400	200	155	4,23	1,2	1,2	2	2	1
KT 374.315	400	300	155	5,29	1,2	1,2	2	2	1
KT 376.315	600	300	155	7,04	1,2	1,2	3	2	2
KT 378.315	800	300	155	8,78	1,2	1,2	3	3	3



Version 1



Version 2



Version 3

Catalogue



Assembly Instructions