

DOKÜMAN NO	KYT- 058
REV. NO	0
SAYFA	68/1

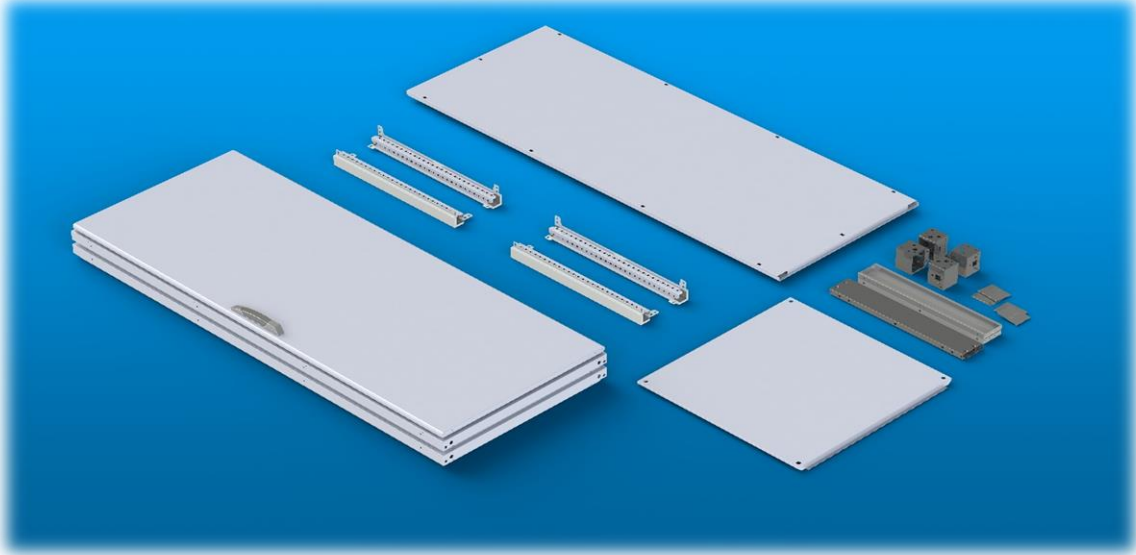
# NEO

## NEO SERİSİ MONTAJ TALİMATI

### NEO SERIE ASSEMBLING INSTRUCTION



DOKÜMAN NO	KYT- 058
REV. NO	0
SAYFA	68/2



DOKÜMAN NO	KYT- 058
REV. NO	0
SAYFA	68/3

## SAYFA İNDEKSİ / PAGE INDEX

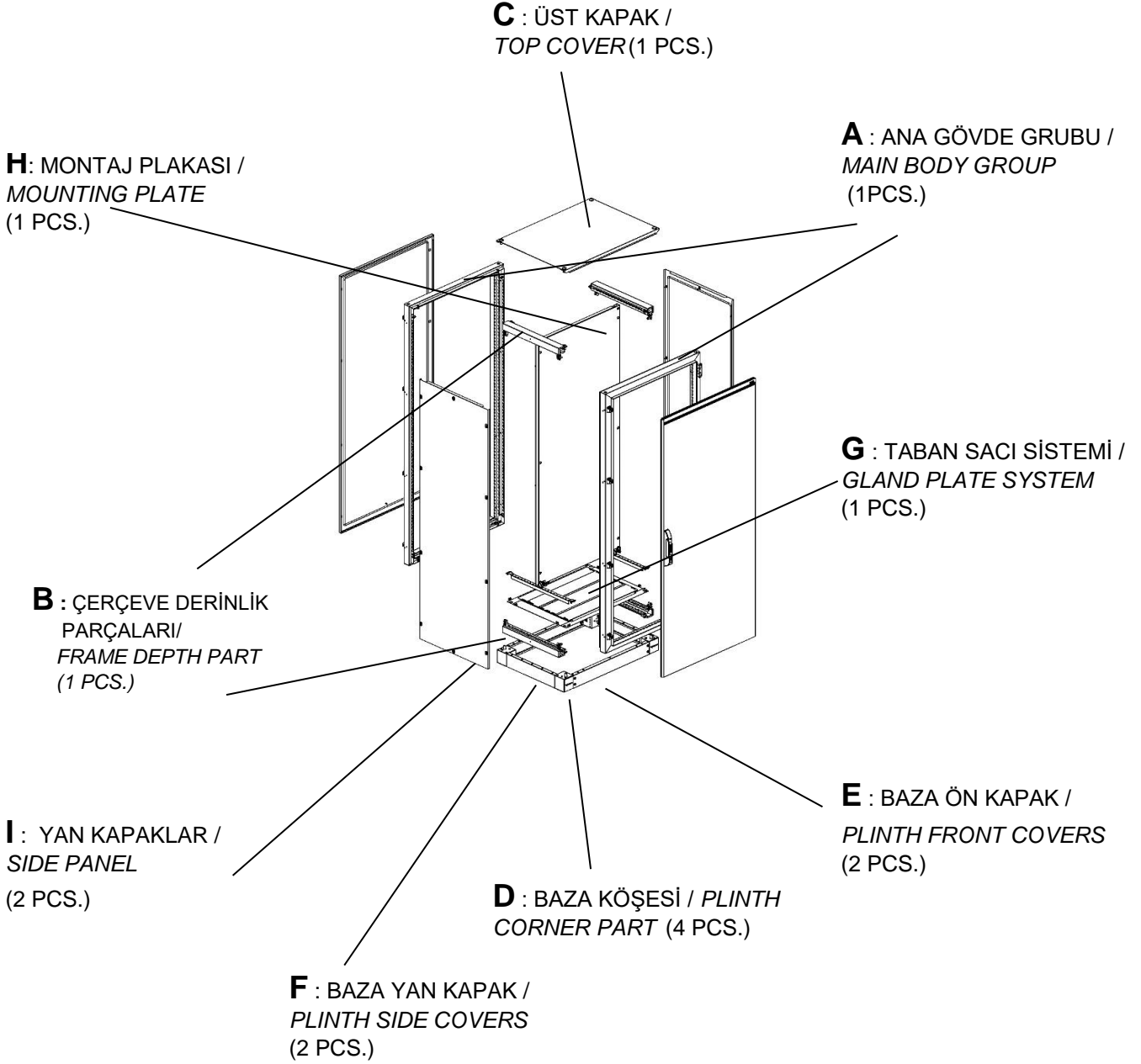
-	<i>PAKET İÇERİĞİ</i> <b>PACKAGE CONTENTS</b>	5-8
-	<i>ANA GÖVDE GRUBU</i> <b>MAIN BODY GROUP</b>	9-13
-	<i>BAZA KÖŞESİ MONTAJI.</i> <b>BASE / PLINTH CORNER PARTS ASSEMBLING .</b>	14
-	<i>BAZA YAN KAPAK MONTAJI</i> <b>PLINTH SIDE COVERS ASSEMBLING</b>	15
-	<i>BAZA ÖN KAPAKLARI VE YAN KAPAKLARI MONTAJI.</i> <b>BASE / PLINTH FRONT COVERS AND SIDE COVERS ASSEMBLING.</b>	16
-	<i>TABAN SACI MONTAJI</i> <b>GLAND PLATE ASSEMBLING.</b>	17-18
-	<i>ALT KAPAK CONTALAMASI</i> <b>GLAND PLATE GASKETINNG</b>	19
-	<i>ÜST KAPAK MONTAJ</i> <b>TOP COVER ASSEMBLING</b>	20
-	<i>YAN KAPAK MONTAJ</i> <b>SIDE PANEL ASSEMBLING</b>	21
-	<i>PANO BİRLEŞTİRME</i> <b>ENCLOSURE BAYING</b>	22-23
-	<i>MONTAJ PLAKASI MONTAJI</i> <b>MOUNTING PLATE ASSEMBLING</b>	24-29
-	<i>KISA MONTAJ PLAKASI UYGULAMASI</i> <b>SHORT MOUNTING PLATE APPLICATION</b>	30
-	<i>MONTAJ PLAKASI SIRTA DAYAMA SİSTEMİ</i> <b>MOUNTING PLATE LEANING SYSTEM</b>	31-32
-	<i>MONTAJ PLAKASI ORTADAN DESTEK</i> <b>MIDDLE SUPPORT MOUNTING PLATE</b>	33
-	<i>MONTAJ PLAKASI KENAR UZATMA</i> <b>MOUNTING PLATE FOR CORNER EXTENSION</b>	34
	<b>AKSESUARLAR / ACCESORIES</b>	
-	<i>AYARLI AYAK MONTAJI</i> <b>LEVELING FEET ASSEMBLING</b>	35
-	<i>KABLO TUTUCU PROFİL MONTAJI</i> <b>CABLE CLAMP RAIL ASSEMBLING</b>	35
-	<i>SÜNGERLİ KABLO GİRİŞİ MONTAJI.</i> <b>FOAM GASKET GLAND ASSEMBLING.</b>	36
-	<i>FIRÇALI KABLO GİRİŞİ MONTAJI.</i> <b>BRUSHED GASKET GLAND ASSEMBLING.</b>	36
-	<i>ARA MONTAJ PLAKASI MONTAJI.</i> <b>INTERMEDIATE MOUNTING PLATE ASSEMBLING.</b>	37
-	<i>KAPI KANAL PROFİLİ MONTAJI.</i> <b>CABLE TRAY DOOR RAIL ASSEMBLING.</b>	38

DOKÜMAN NO	KYT- 058
REV. NO	0
SAYFA	68/4

-	<i>METAL PROJE CEBİ MONTAJI.</i>	38
	<b>METAL PLAN POCKET ASSEMBLING.</b>	
-	<i>LAMBA TUTUCU PROFİL VE LAMBA MONTAJI</i>	39
	<b>LAMP HOLDER RAIL AND LAMP ASSEMBLING</b>	
-	<i>KAPI AYDINLATMA ANAHTAR TUTUCU VE ANAHTAR MONTAJI</i>	40
	<b>DOOR SWITCH HOLDER AND SWITCH ASSEMBLING</b>	
-	<i>GEÇMELİ ATKI TUTUCU VE KESİLEBİLİR ATKI</i>	41
	<b>PLUG-IN RAIL BRACKET AND SCISSILE RAIL SYSTEM</b>	
-	<i>GEÇMELİ ATKI TUTUCU</i>	42
	<b>PLUG-IN RAIL BRACKET</b>	
-	<i>AYARLI ATKI TUTUCU</i>	43
	<b>ADJUSTABLE RAIL BRACKET</b>	
-	<i>AYARLI ATKI TUTUCU (L TİP)</i>	44
	<b>ADJUSTABLE RAIL BRACKET (TYPE L)</b>	
-	<i>YARDIMCI ATKI TUTUCU</i>	45
	<b>AUXILIARY RAIL BRACKET</b>	
-	<i>AĞIR EKİPMAN PROFİLİ</i>	46
	<b>HEAVY EQUIPMENT PROFILE</b>	
-	<i>25A - 630A ŞALTER KİTİ</i>	47-48
	<b>25A - 630A MCCB KIT</b>	
-	<i>SİGORTA (OTOMAT) VE KLEMENS KİTİ (ARKA MONTAJLI KABLO KANALI)</i>	49
	<b>MCB AND TERMINAL KIT (BACK-MOUNTED CABLE DUCT)</b>	
-	<i>SİGORTA (OTOMAT) KİTİ (ÖN MONTAJLI KABLO KANALI)</i>	50
	<b>MCB KIT (FRONT-MOUNTED CABLE DUCT)</b>	
-	<i>PARÇA MONTAJ PLAKASI</i>	51
	<b>PARTIAL MOUNTING PLATE</b>	
-	<i>İÇ KAPAK SİSTEMİ</i>	52-58
	<b>COVER PLATE SYSTEM</b>	
-	<i>SABİT BAZA</i>	59-60
	<b>FIXED PLINTH</b>	
-	<i>19" BAĞLANTI PROFİLLERİ</i>	61-62
	<b>19" COMBINATION PROFILES</b>	
-	<i>19" SWING FRAME</i>	63
	<b>19" SWING FRAME</b>	
-	<i>SABİT ve HAREKETLİ RAF</i>	64
	<b>FIXED and MOVABLE SHELF</b>	
-	<i>KAPI DURDURUCU</i>	65
	<b>DOOR STOPPER</b>	
-	<i>TAŞIMA TALİMATI</i>	66
	<b>LIFTING INSTRUCTION</b>	
-	<i>YÜKLEME TALİMATI</i>	67
	<b>LOADING INSTRUCTION</b>	

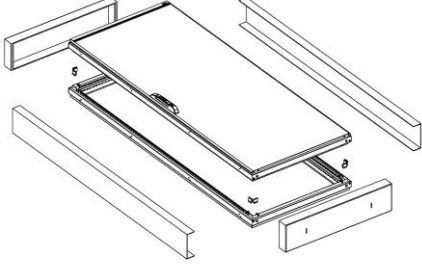


DOKÜMAN NO	KYT-058
REV. NO	0
SAYFA	68/5

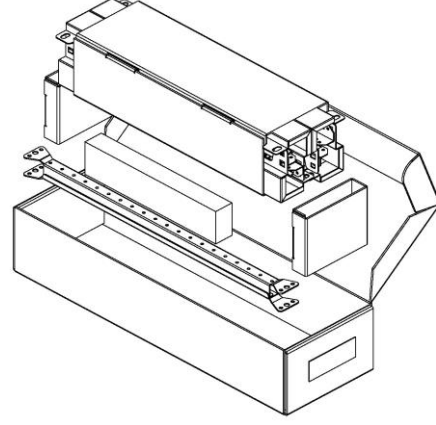
**PAKET İÇERİKLERİ**  
PACKAGE CONTENTS

DOKÜMAN NO	KYT-058
REV. NO	0
SAYFA	68/6

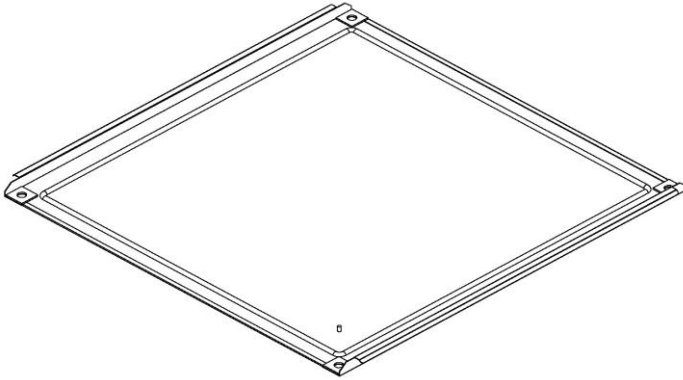
**PAKET İÇERİKLERİ**  
**PACKAGE CONTENTS**



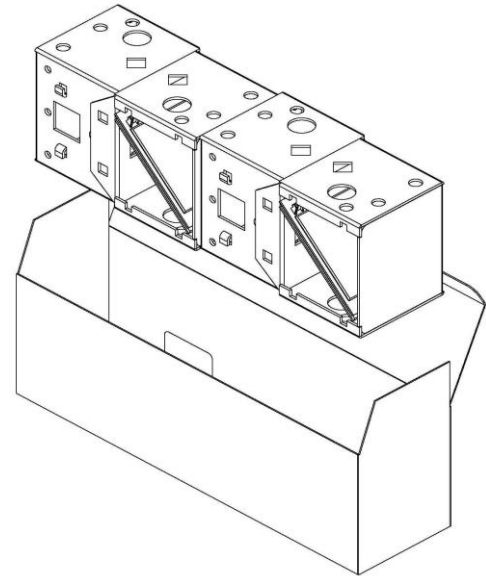
**A**  
ANA GÖVDE GRUBU  
MAIN BODY GRUOP



**B**  
ÇERÇEVE DERİNLİK PARÇALARI  
FRAME DEPTH PART



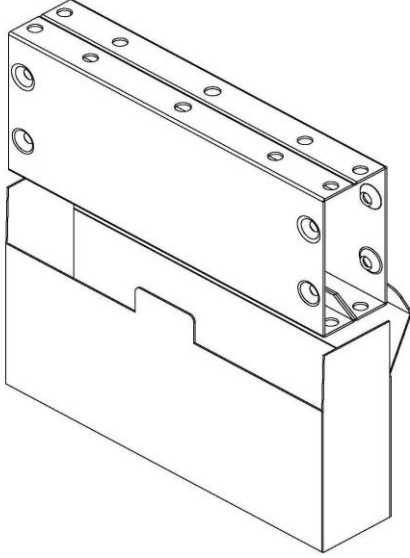
**C**  
ÜST KAPAK  
TOP COVER



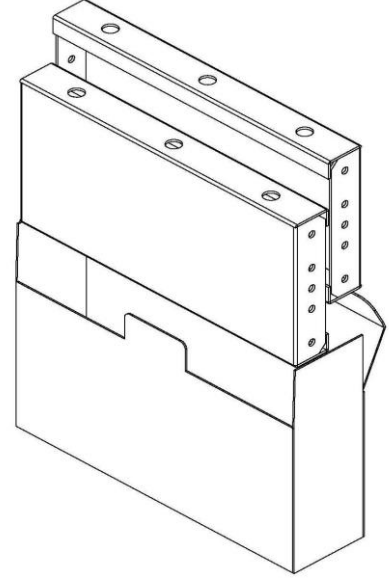
**D**  
BAZA KÖŞESİ  
PLINTH CORNER PART

**PAKET İÇERİKLERİ**  
**PACKAGE CONTENTS**

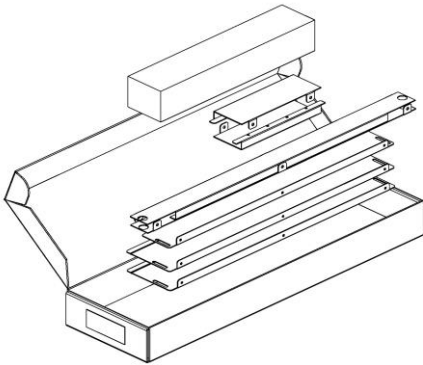
DOKÜMAN NO	KYT-058
REV. NO	0
SAYFA	68/7



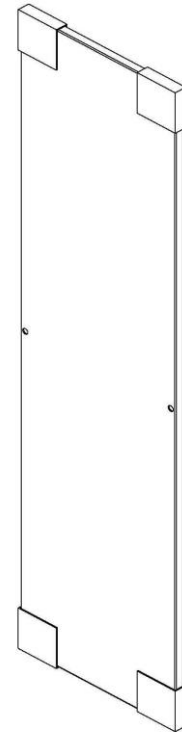
**E**  
BAZA ÖN KAPAK  
PLINTH FRONT COVERS



**F**  
BAZA YAN KAPAK  
PLINTH SIDE COVERS



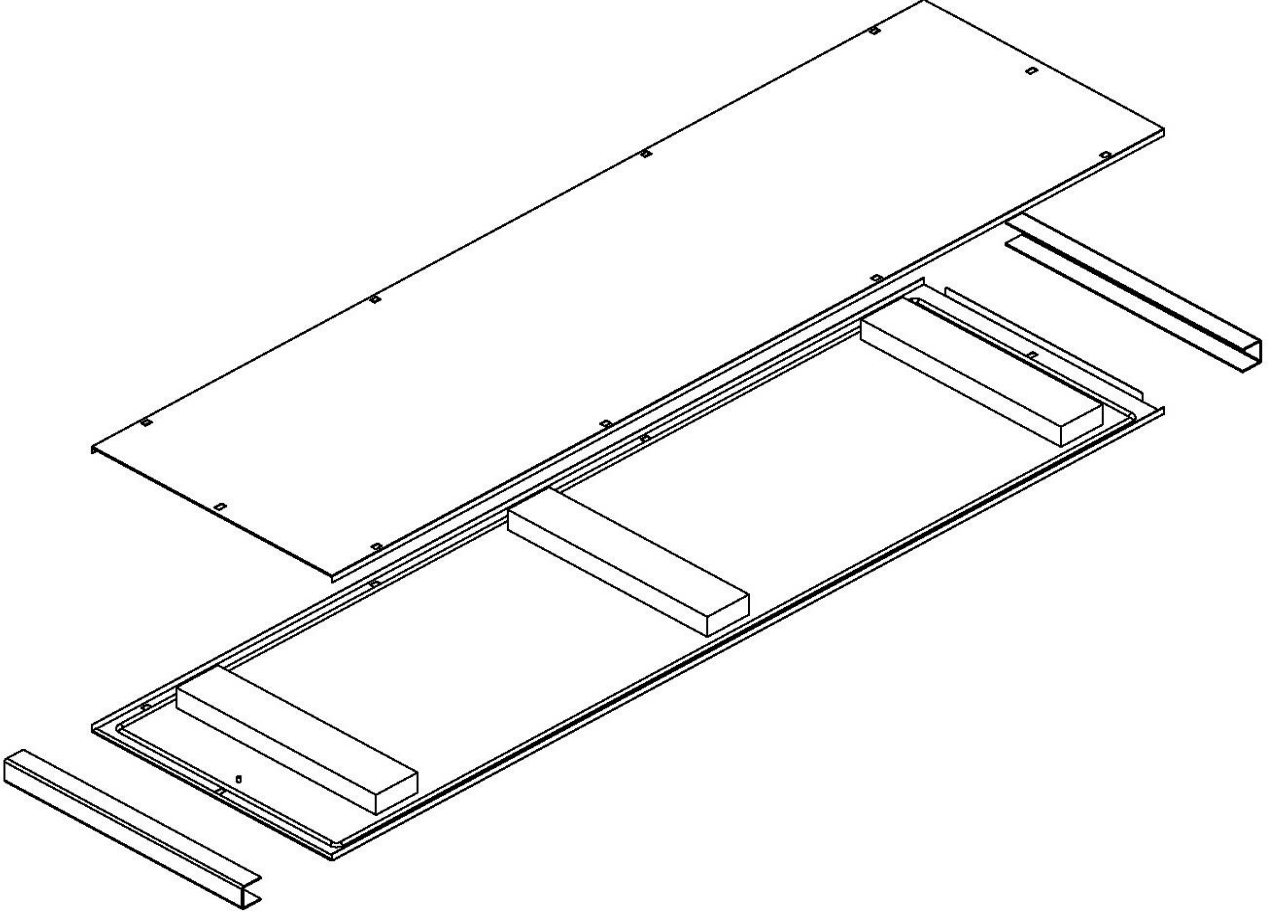
**G**  
TABAN SACI SİSTEMİ  
GLAND PLATE SYSTEM



**H**  
MONTAJ PLAKASI  
MOUNTING PLATE

**PAKET İÇERİKLERİ**  
*PACKAGE CONTENTS*

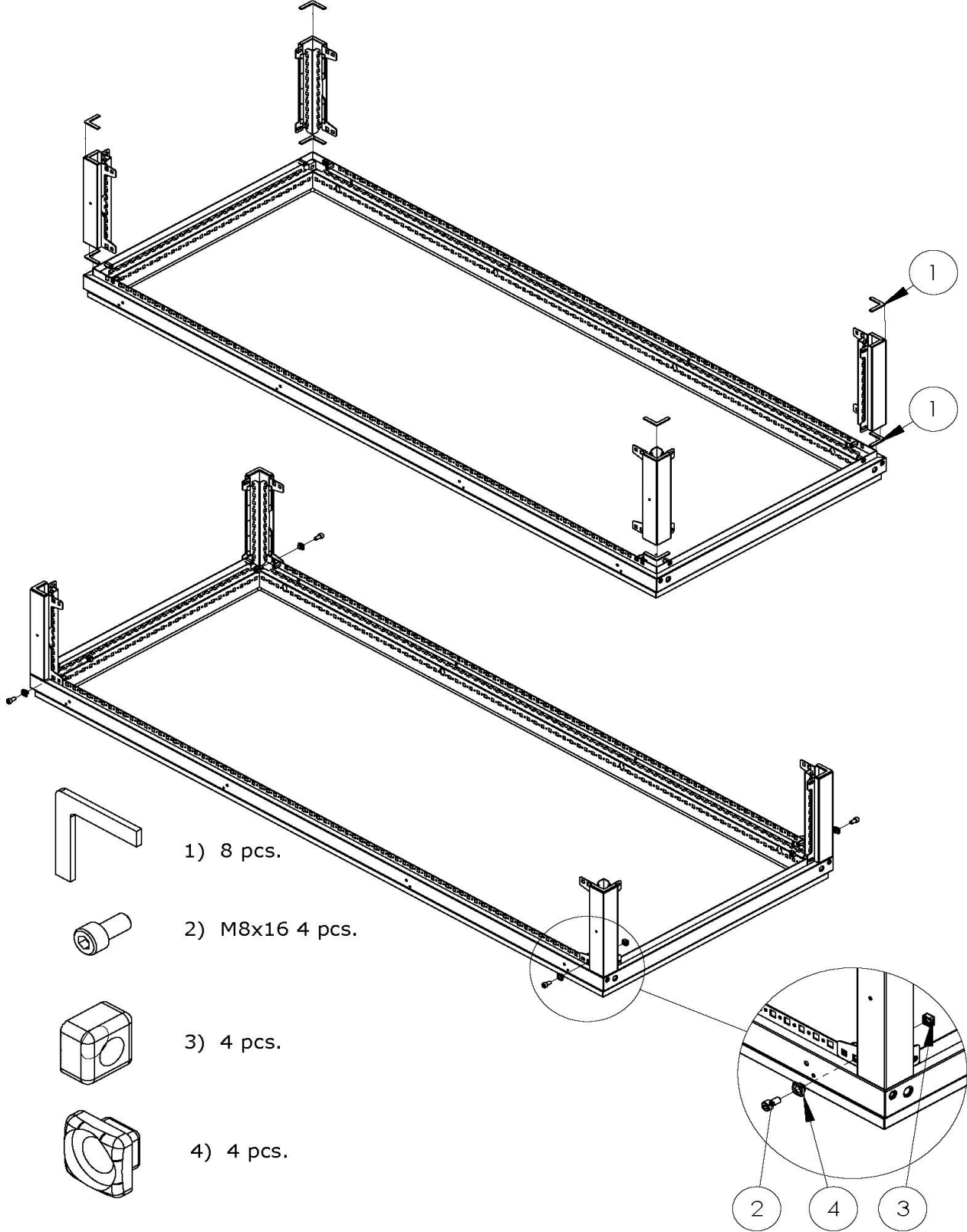
DOKÜMAN NO	KYT-058
REV. NO	0
SAYFA	68/8



**I**  
YAN KAPAK  
SIDE PANEL

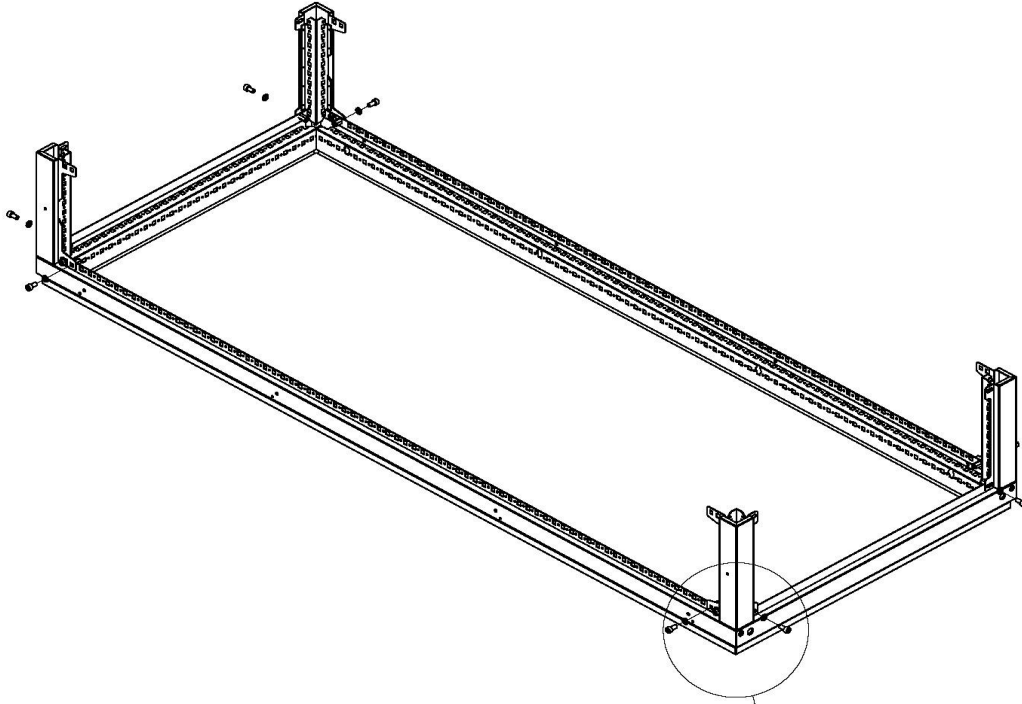
DOKÜMAN NO	KYT-058
REV. NO	0
SAYFA	68/9

**ANA GÖVDE GRUBU**  
MAIN BODY GROUP



**ANA GÖVDE GRUBU**  
MAIN BODY GROUP

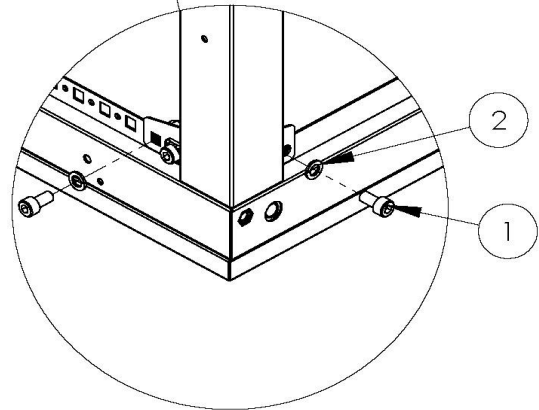
DOKÜMAN NO	KYT- 058
REV. NO	0
SAYFA	68/10



1) M8x16 8 pcs.

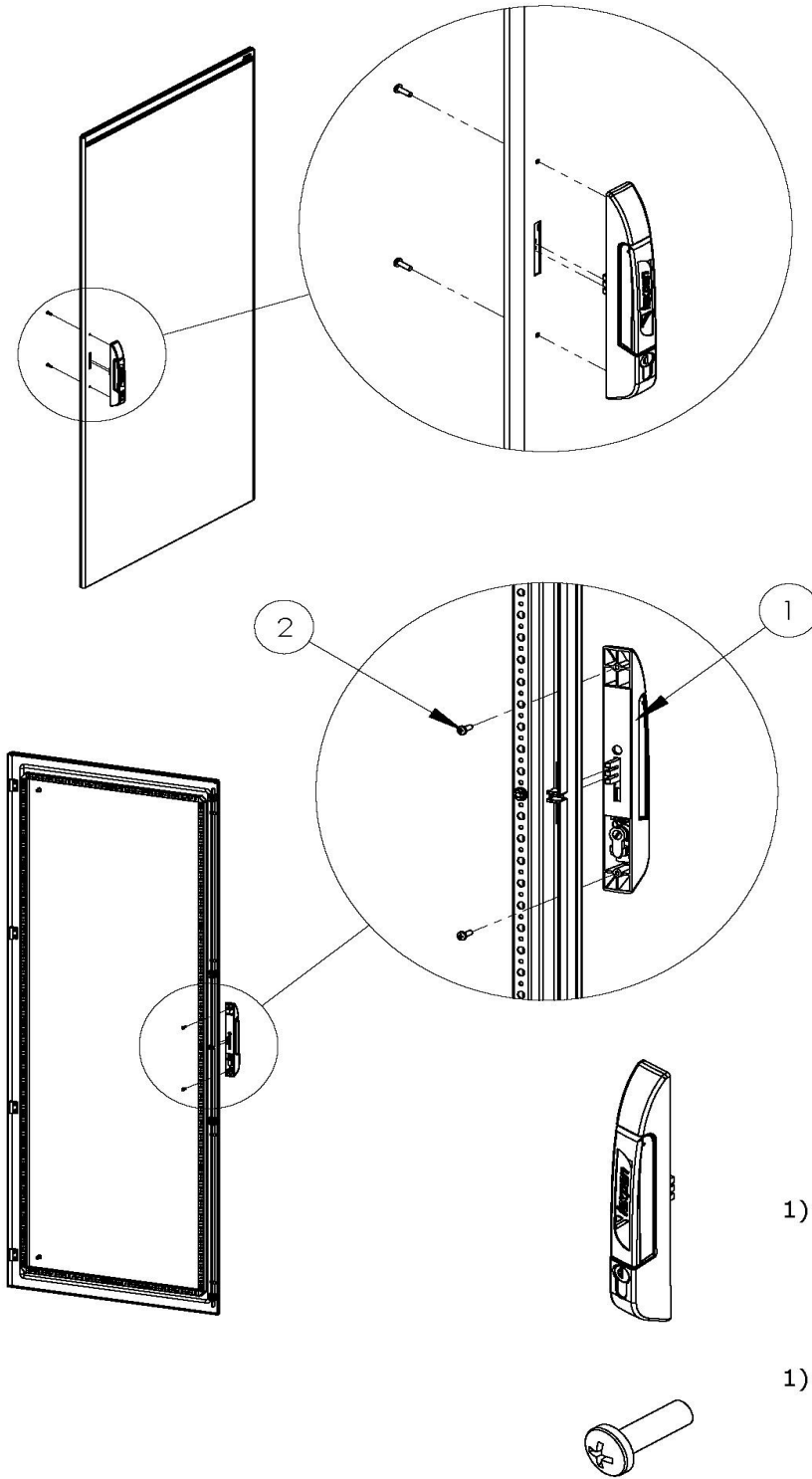


2) M8 8 pcs.

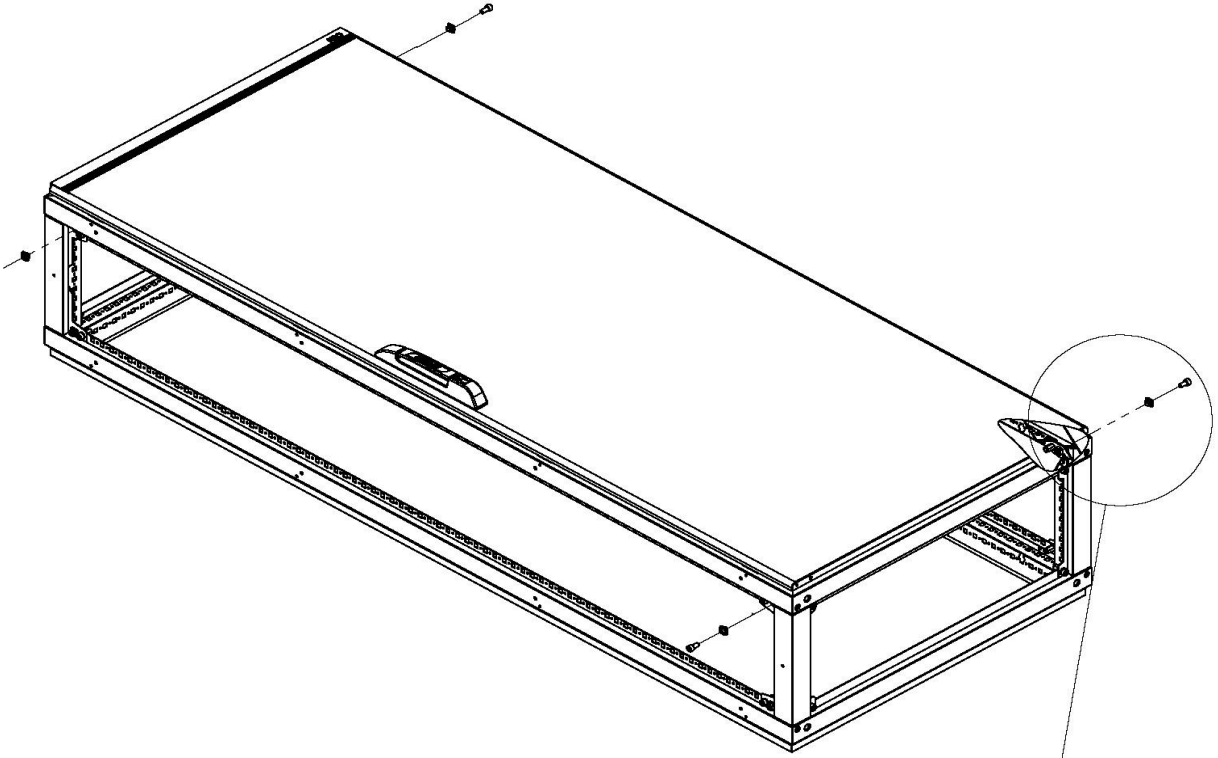


**ANA GÖVDE GRUBU KİLİT MONTAJ**  
MAIN BODY GROUP LOCK ASSEMBLY

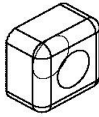
DOKÜMAN NO	KYT-058
REV. NO	0
SAYFA	68/11



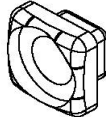
DOKÜMAN NO	KYT-058
REV. NO	0
SAYFA	68/12

**ANA GÖVDE GRUBU**  
MAIN BODY GROUP

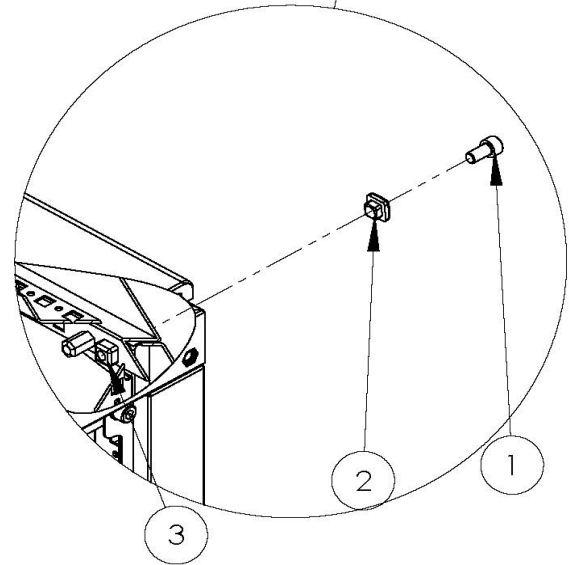
1) M8x16 4 pcs.



2) 4 pcs.

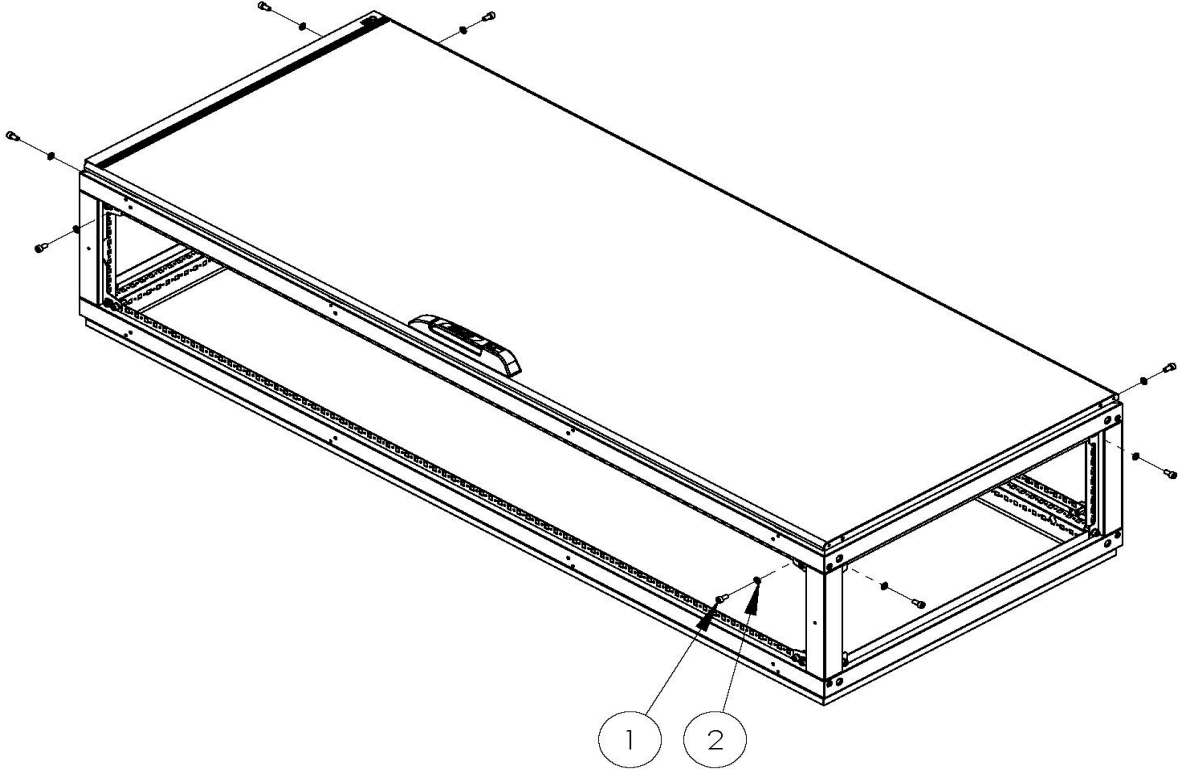


3) 4 pcs.





DOKÜMAN NO	KYT- 058
REV. NO	0
SAYFA	68/13

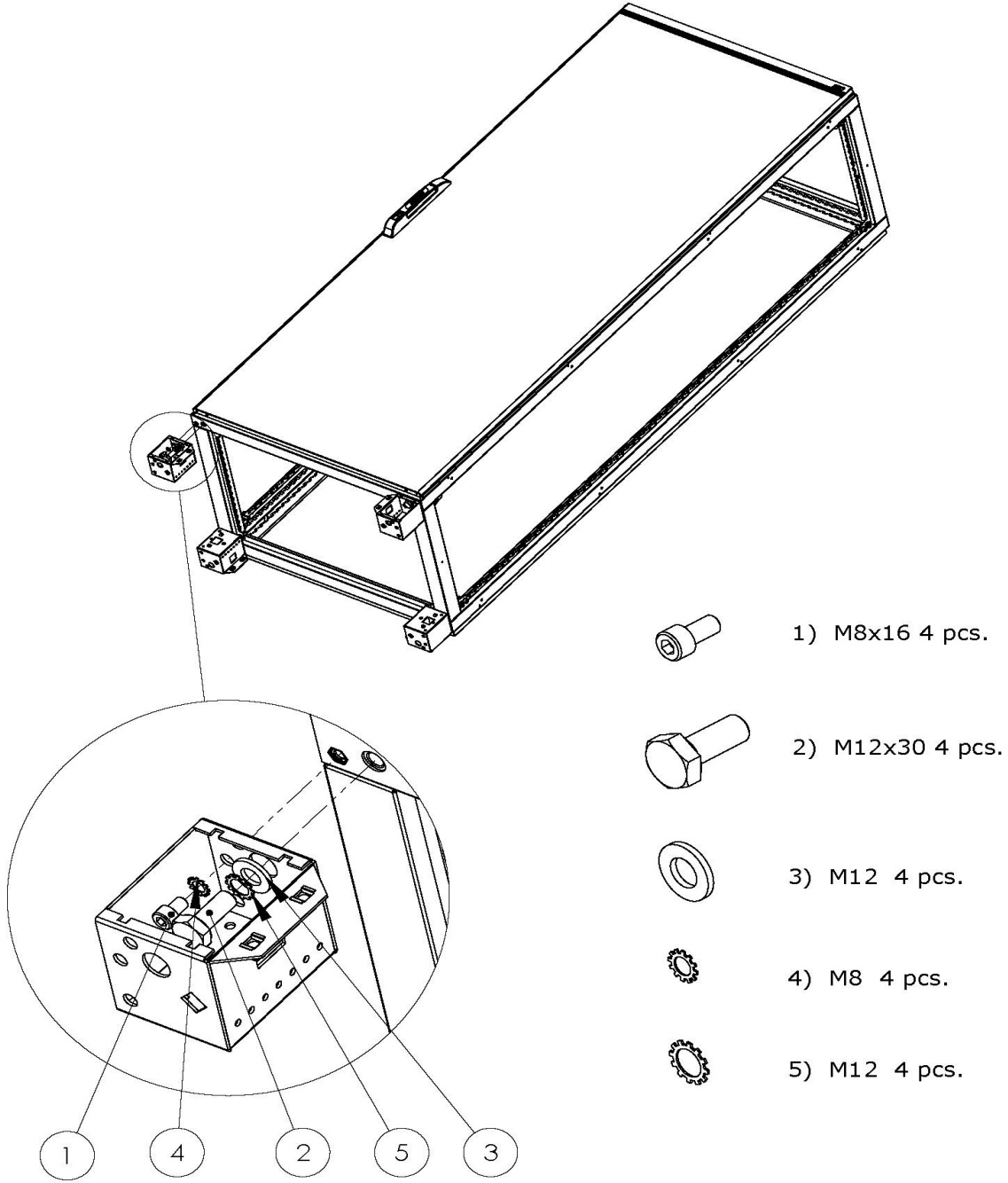
**ANA GÖVDE GRUBU**  
MAIN BODY GROUP

1) M8x16 8 pcs.

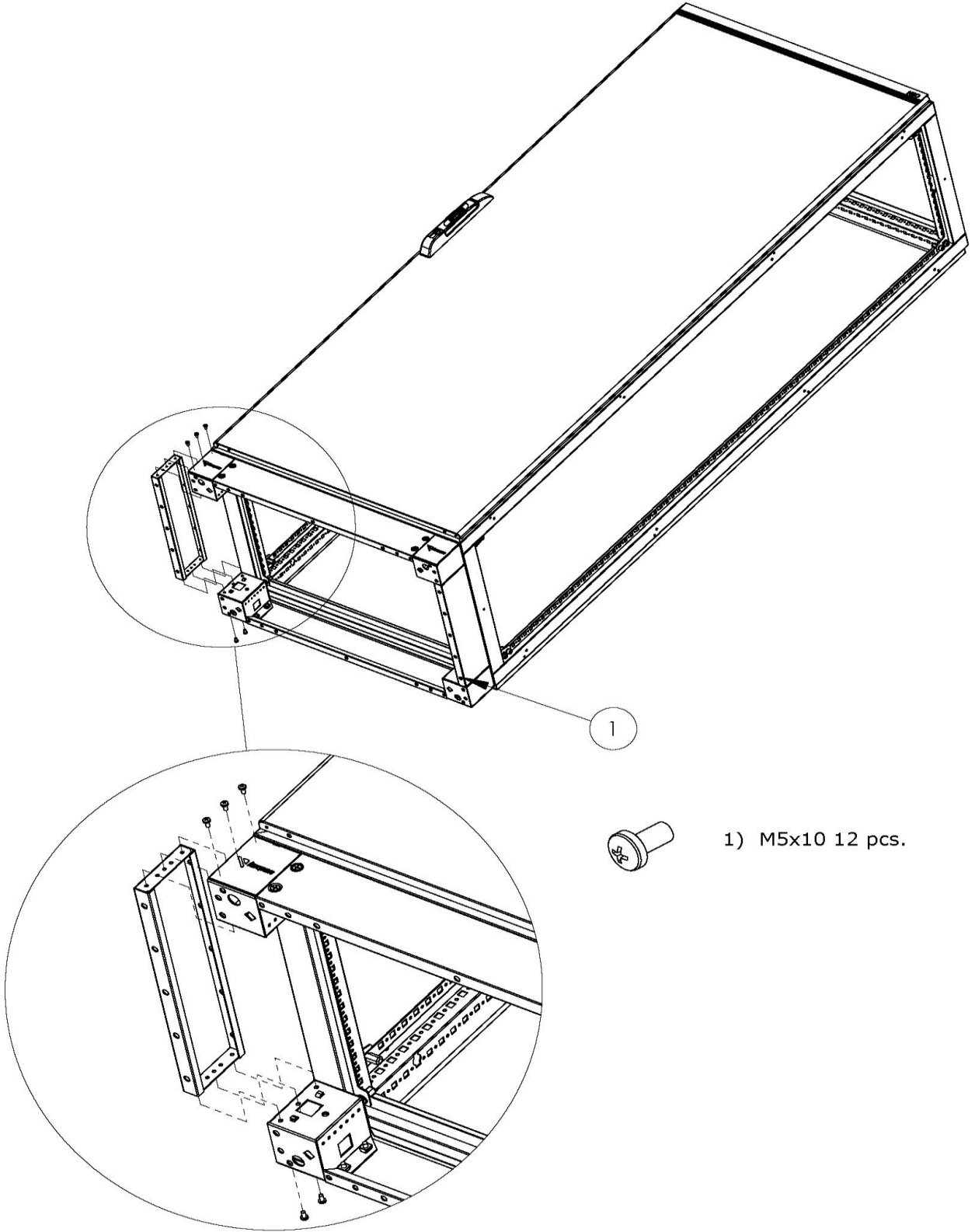


2) M8 8 pcs.

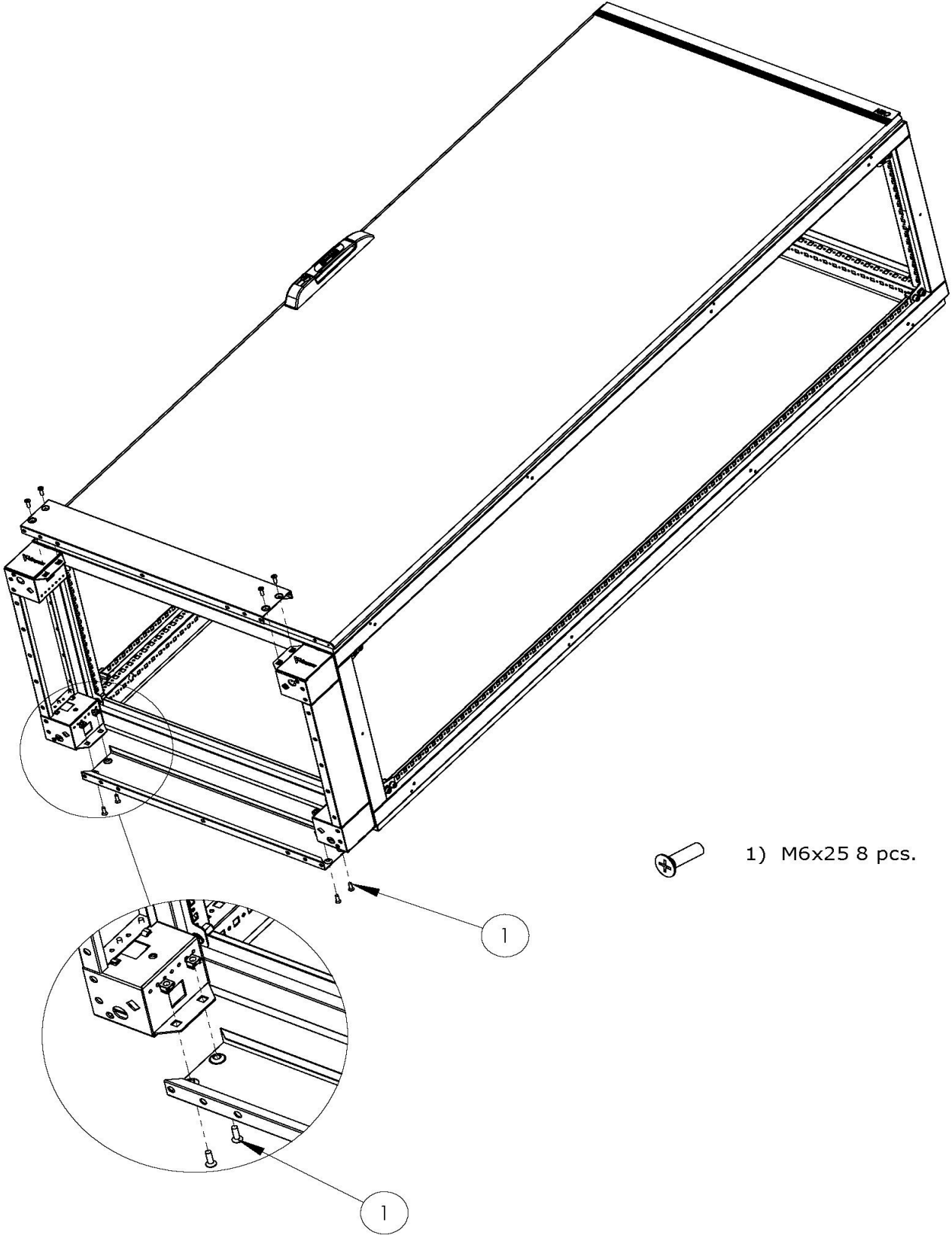
DOKÜMAN NO	KYT- 058
REV. NO	0
SAYFA	68/14

**BAZA KÖŞESİ MONTAJI**  
BASE / PLINTH CORNER PARTS ASSEMBLING

DOKÜMAN NO	KYT- 058
REV. NO	0
SAYFA	68/15

**BAZA YAN KAPAK MONTAJI**  
PLINTH SIDE COVERS ASSEMBLING

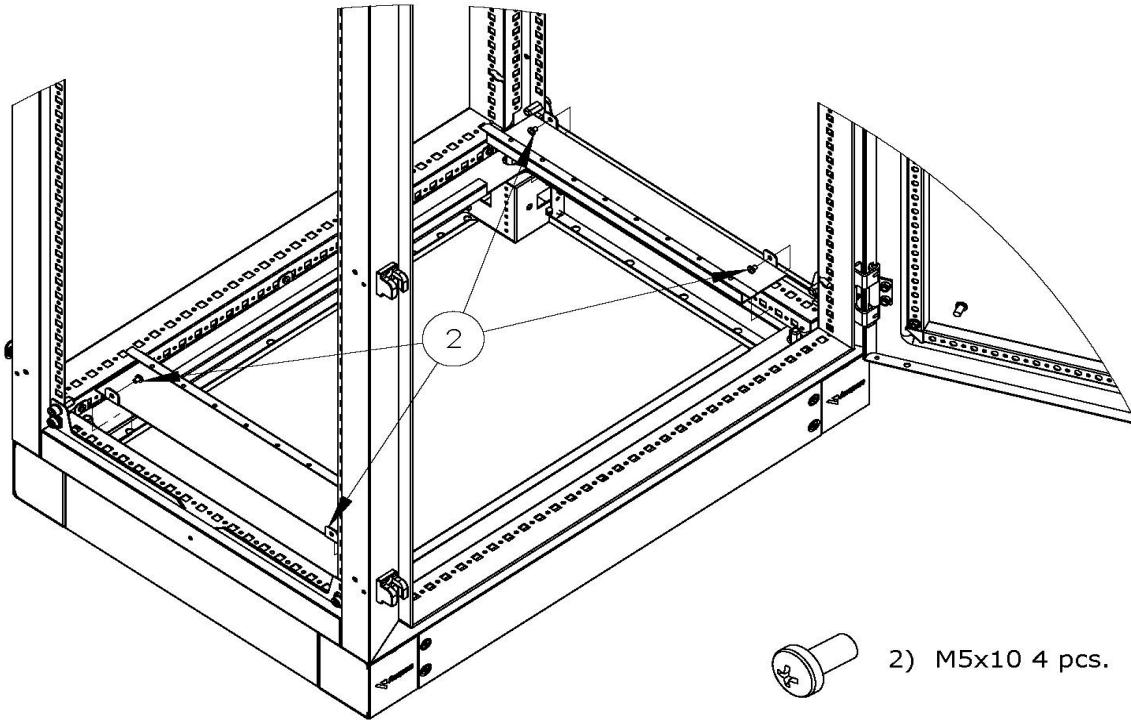
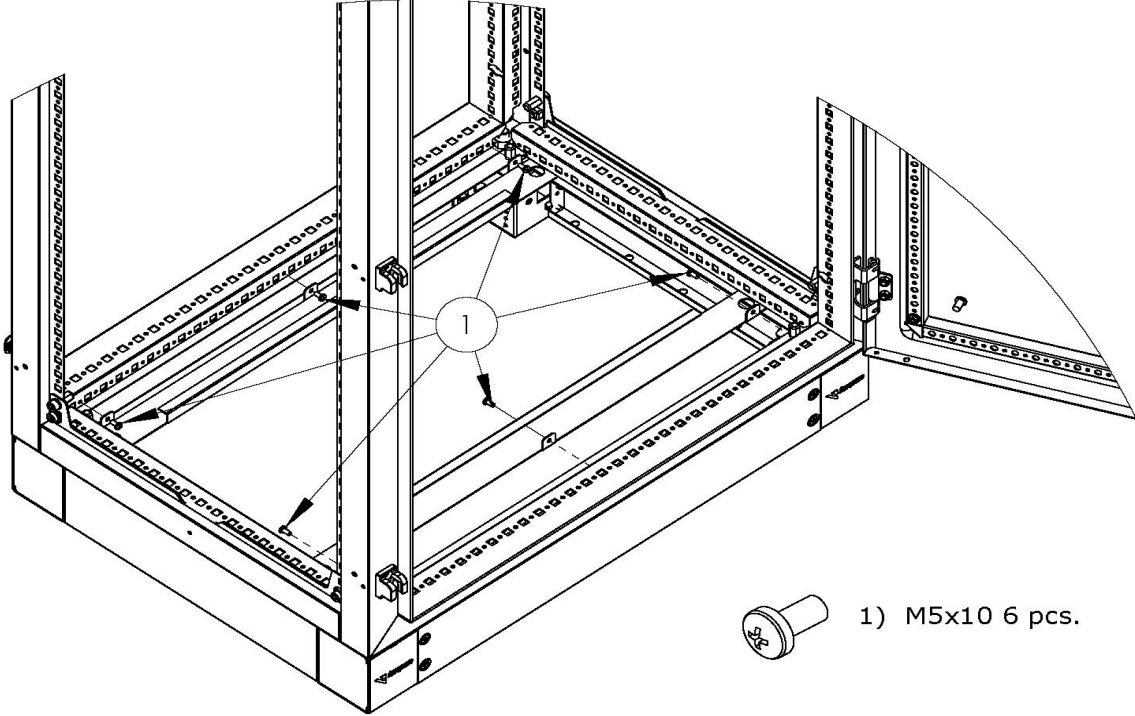
DOKÜMAN NO	KYT- 058
REV. NO	0
SAYFA	68/16

**BAZA ÖN KAPAK MONTAJI**  
PLINTH FRONT COVERS ASSEMBLING

**TABAN SACI MONTAJI**  
GLAND PLATE ASSEMBLING

DOKÜMAN NO	KYT-058
REV. NO	0
SAYFA	68/17

TEK KAPAKLI / SINGLE DOOR

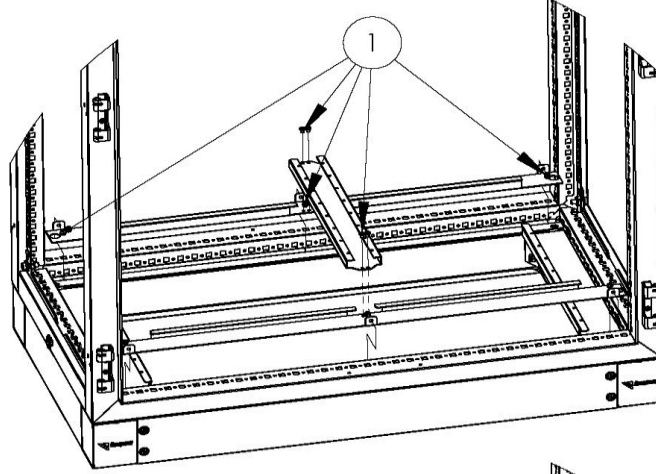




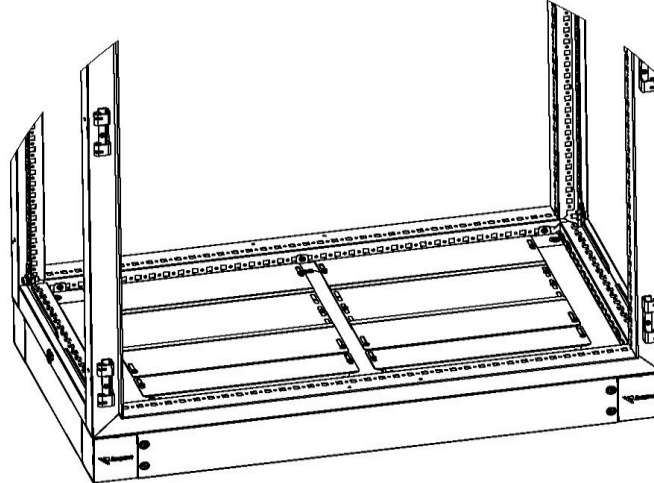
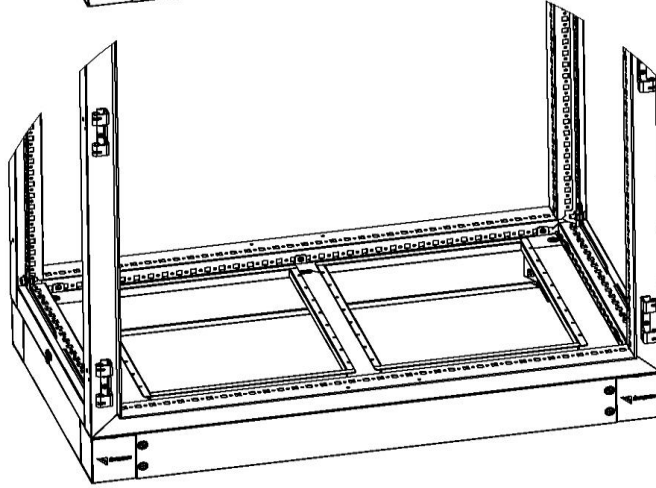
DOKÜMAN NO	KYT- 058
REV. NO	0
SAYFA	68/18

**TABAN SACI MONTAJI**  
GLAND PLATE ASSEMBLING

## ÇİFT KAPAKLI / DOUBLE DOOR

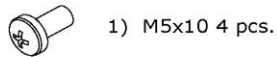
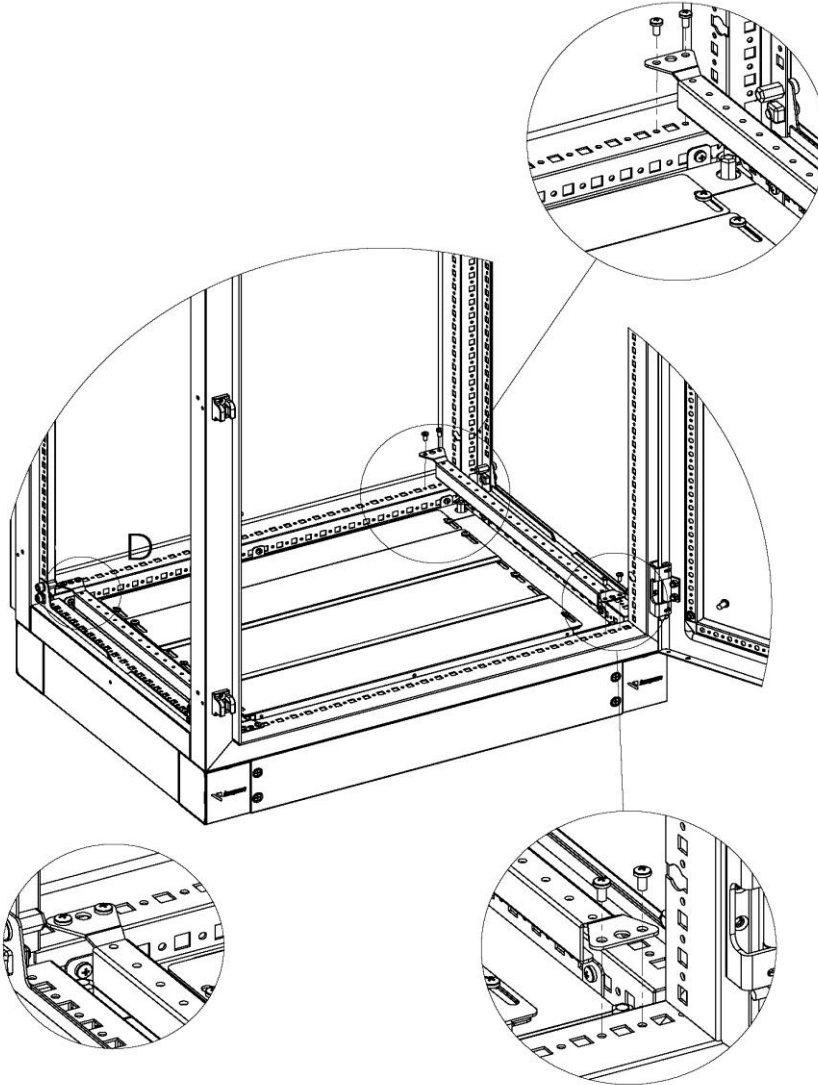
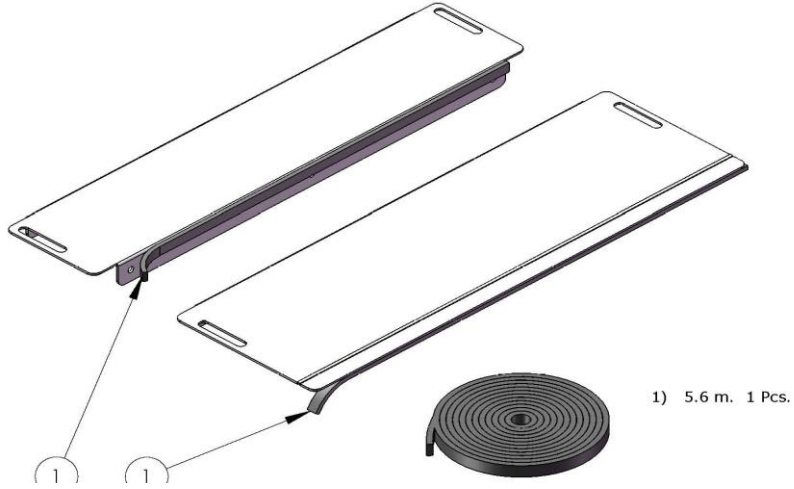


1) M5x10 14 pcs.



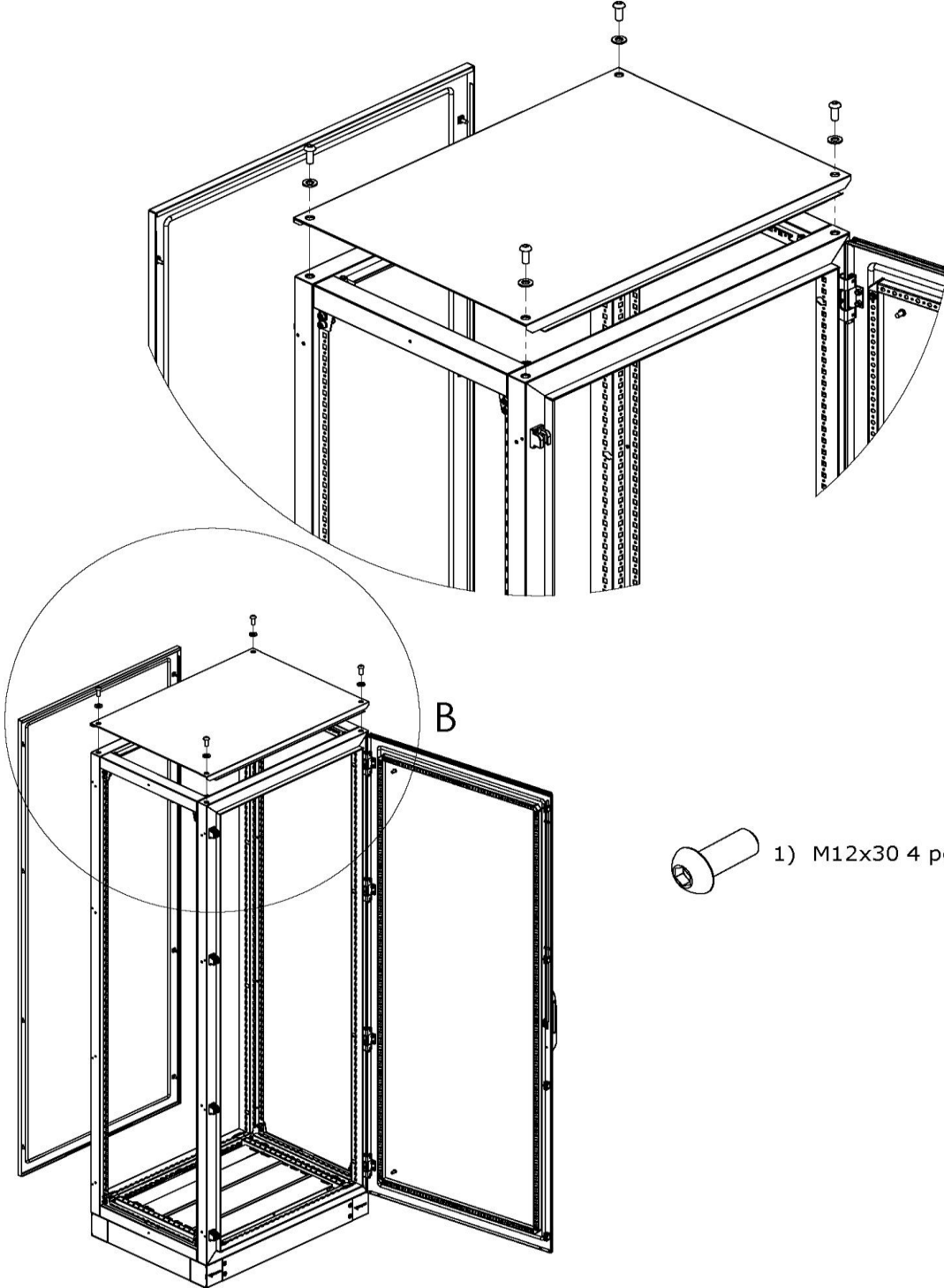
DOKÜMAN NO	KYT-058
REV. NO	0
SAYFA	68/19

**ALT KAPAK CONTALAMA**  
GLAND PLATE GASKETING



**ÜST KAPAK MONTAJ**  
TOP COVER ASSEMBLING

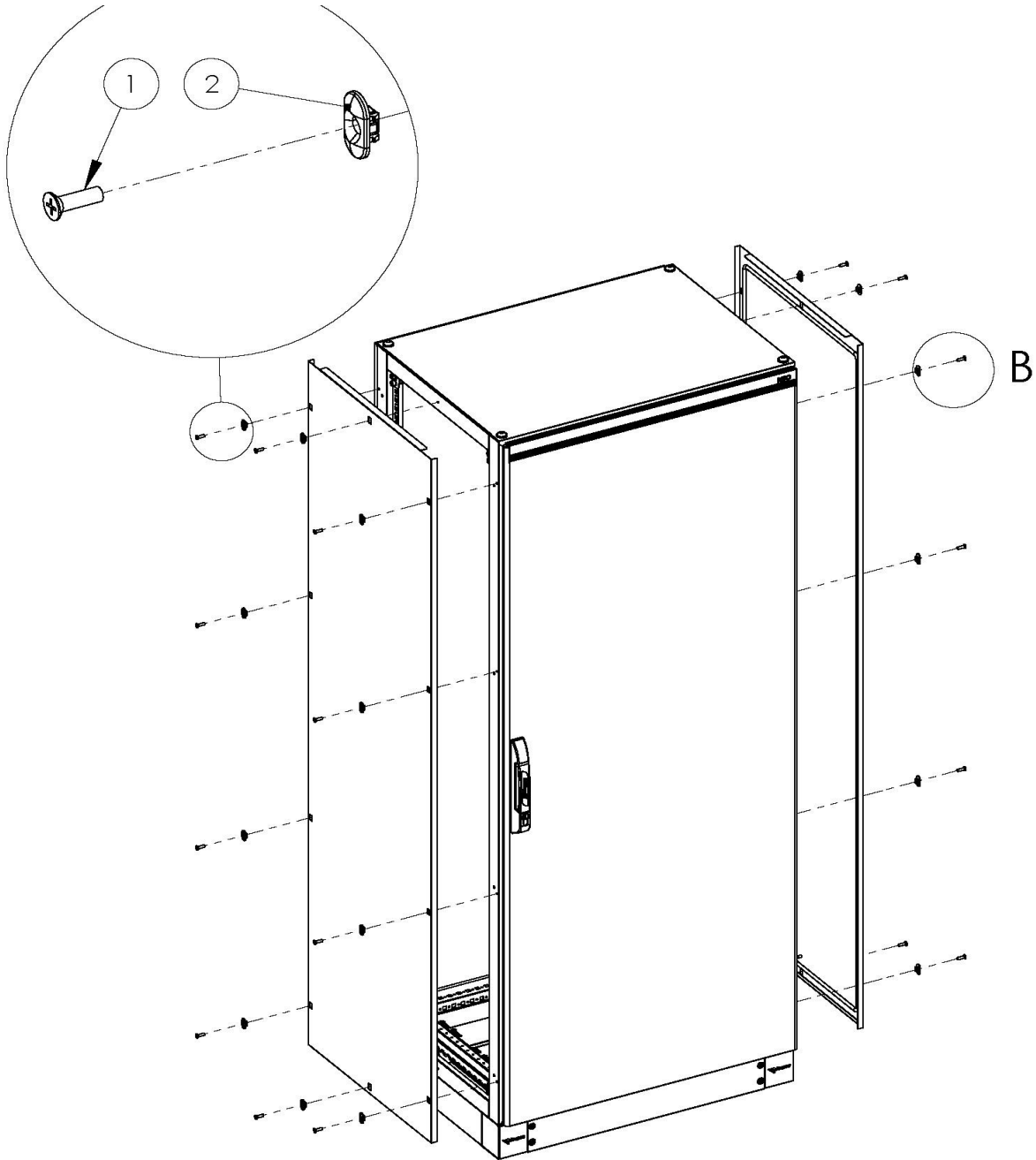
DOKÜMAN NO	KYT- 058
REV. NO	0
SAYFA	68/20





DOKÜMAN NO	KYT-058
REV. NO	0
SAYFA	68/21

**YAN KAPAK MONTAJ**  
SIDE PANEL ASSEMBLING



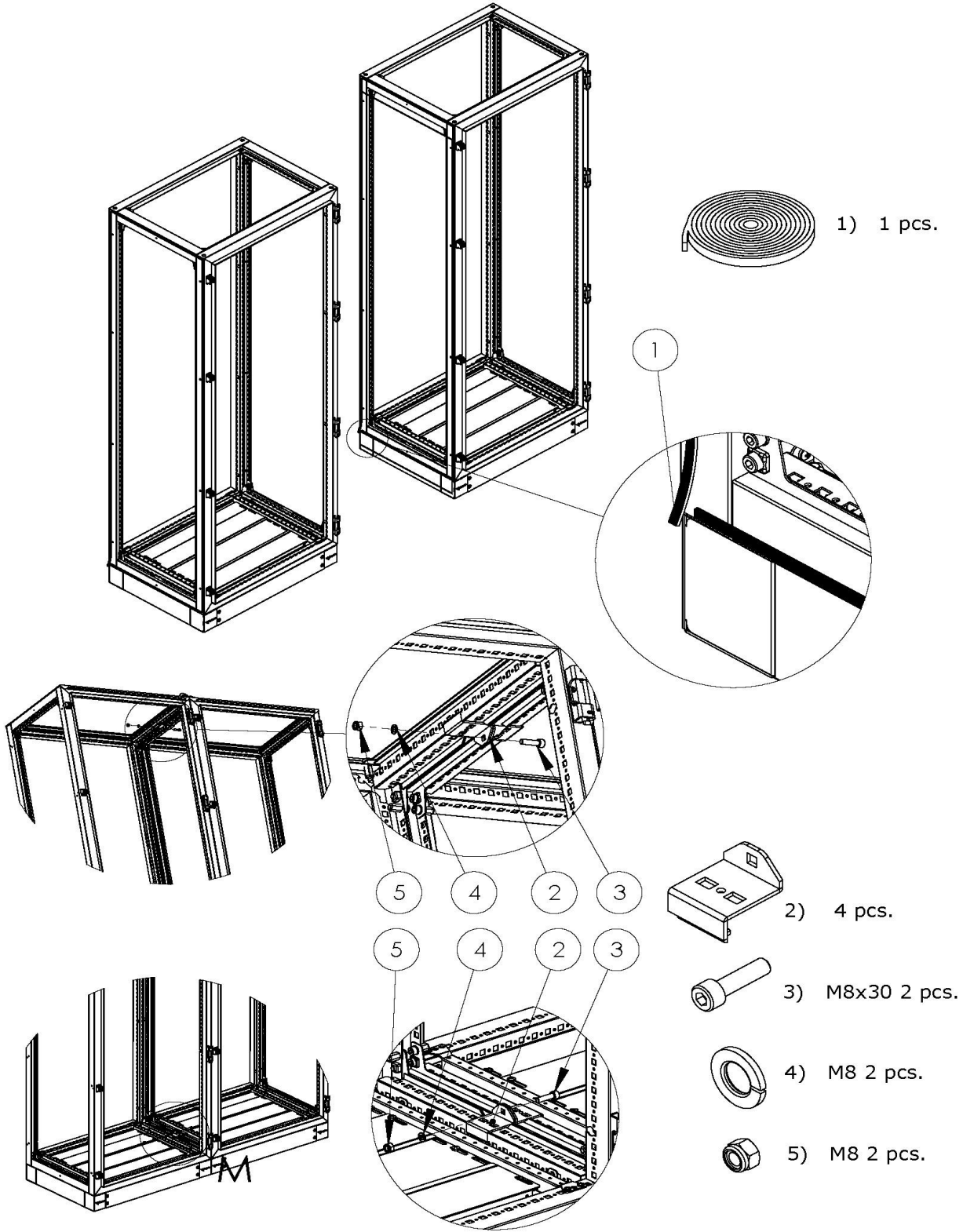
1) M6x20 20 pcs.



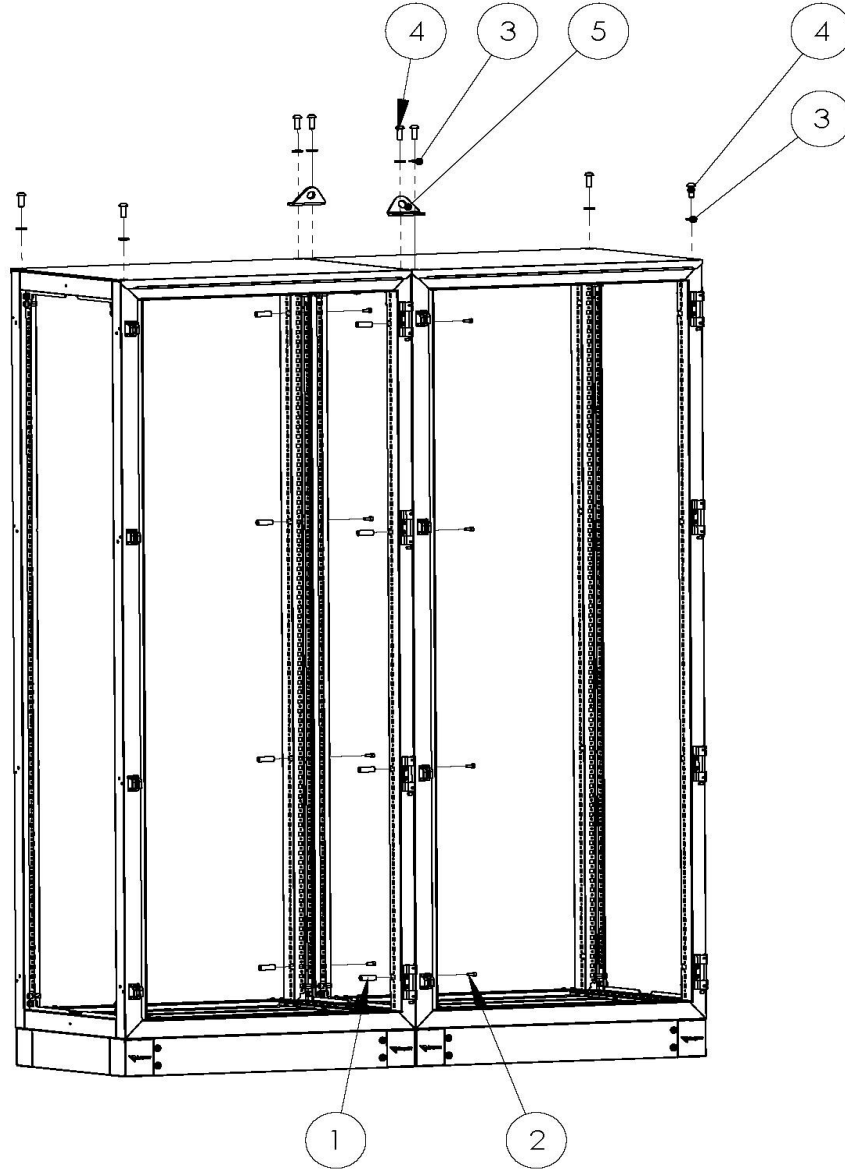
2) 20 pcs.

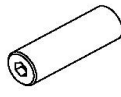


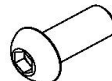
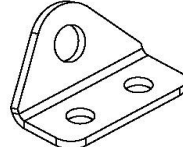
DOKÜMAN NO	KYT-058
REV. NO	0
SAYFA	68/22

**PANO BİRLEŞTİRME**  
ENCLOSURE BAYING



DOKÜMAN NO	KYT-058
REV. NO	0
SAYFA	68/23

**PANO BİRLEŞTİRME**  
ENCLOSURE BAYING

- 1) M6 8 pcs. 
- 2) M6x16 8 pcs. 
- 3) M12x16 8 pcs. 
- 4) M12x30 8 pcs. 
- 5) 2 pcs. 

\*Kaldırma halkaları monte edilirken izolasyon contalarının montaj şekline göre kaldırma halkalarının topraklama sürekliliği etkilenebilir.

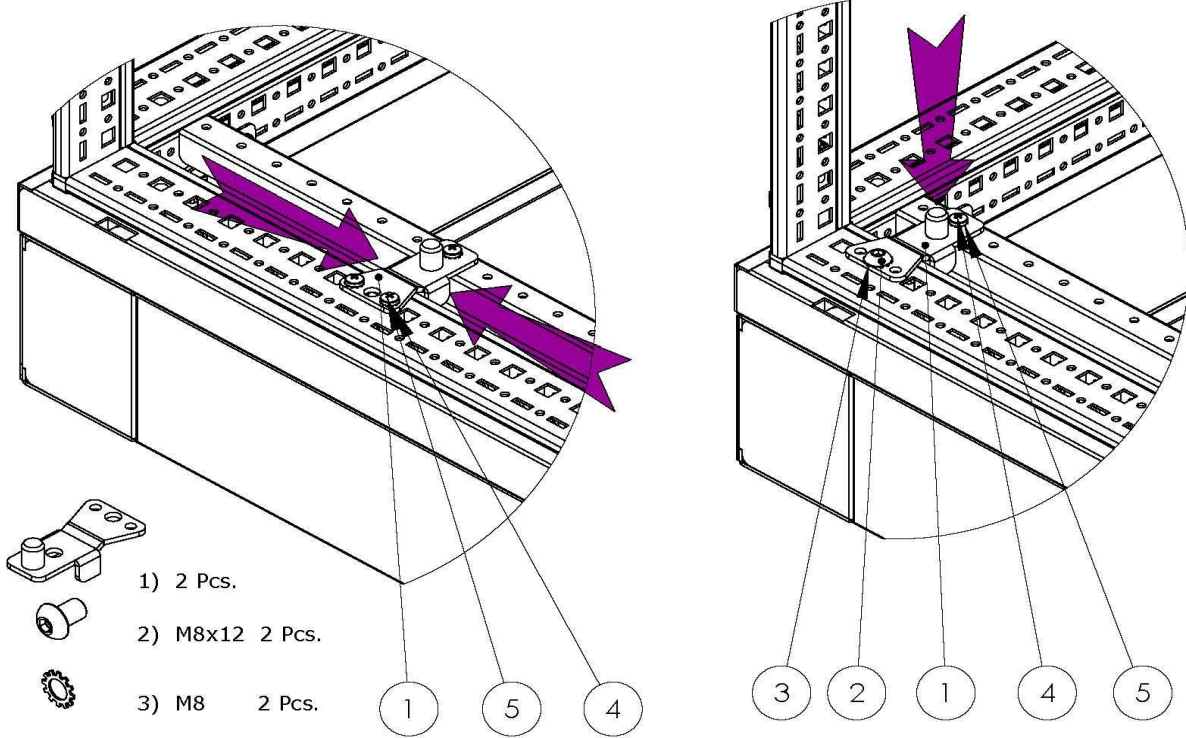
\*The fixing position of ring gaskets can effect earth continuity of the lifting brackets.

DOKÜMAN NO	KYT-058
REV. NO	0
SAYFA	68/24

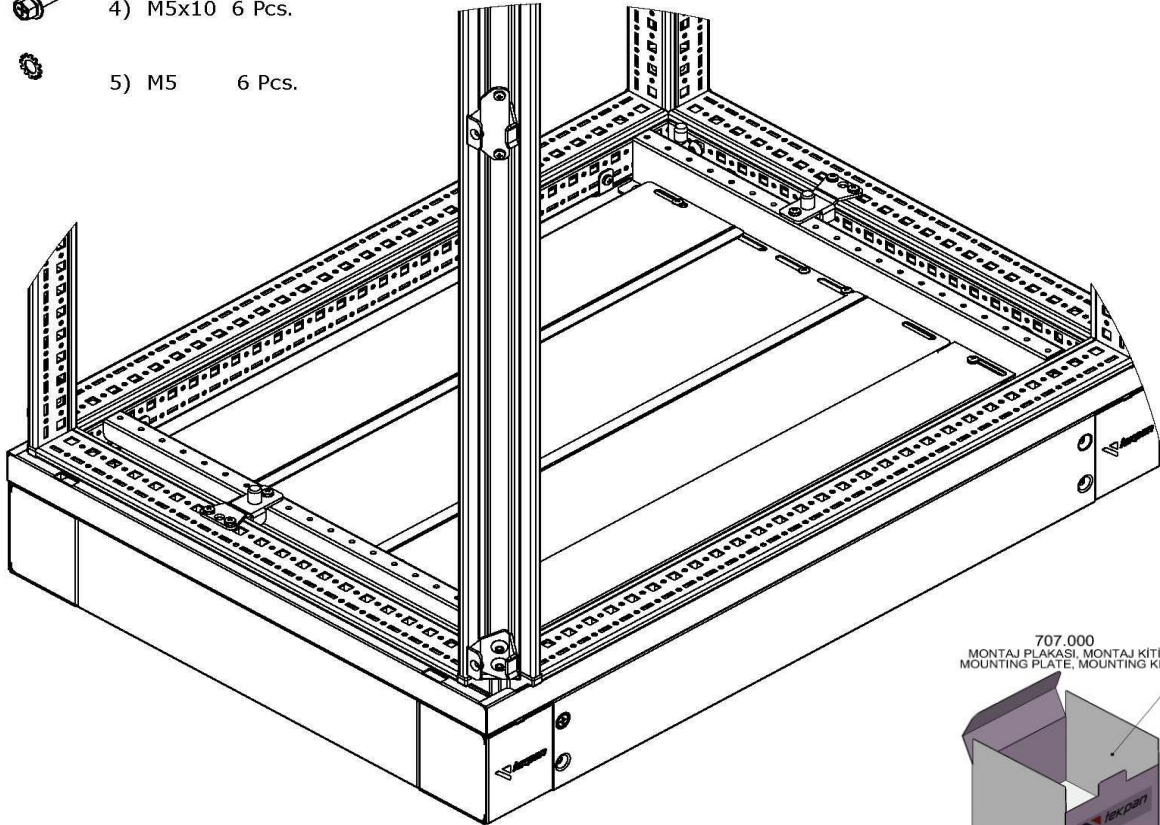
**MONTAJ PLAKASI MONTAJI**  
**MOUNTING PLATE ASSEMBLING**

NOT : MONTAJ PARÇALARI PAKETİ, AYRI TURUNCU KUTUDADIR.

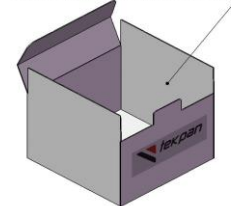
NOTE: ASSEMBLING PARTS PACKED AND DELIVERED INTO SEPARATELY ORANGE BOX.



- 1) 2 Pcs.
- 2) M8x12 2 Pcs.
- 3) M8 2 Pcs.
- 4) M5x10 6 Pcs.
- 5) M5 6 Pcs.



707.000  
MONTAJ PLAKASI, MONTAJ KİTİ  
MOUNTING PLATE, MOUNTING KIT



MONTAJ PLAKASI, MONTAJ PARÇALARI, 707.000 NOLU  
TURUNCU KUTUDAN ÇIKMAKTADIR.

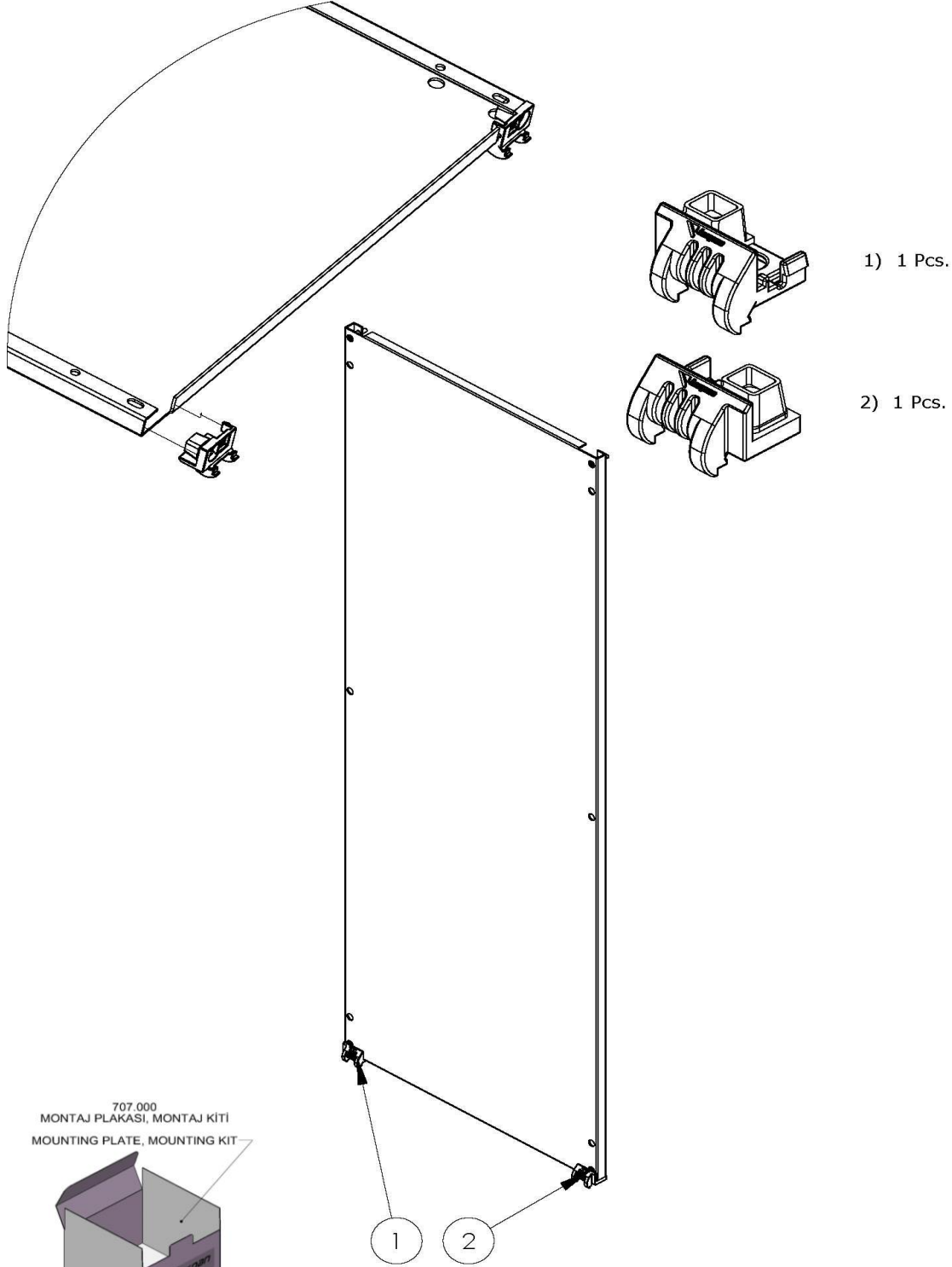
MOUNTING PLATE ASSEMBLY PARTS NUMBER 707.000  
IS THE ORANGE BOX.

DOKÜMAN NO	KYT-058
REV. NO	0
SAYFA	68/25

**MONTAJ PLAKASI MONTAJI**  
**MOUNTING PLATE ASSEMBLING**

NOT : MONTAJ PARÇALARI PAKETİ, AYRI TURUNCU KUTUDADIR.

NOTE: ASSEMBLING PARTS PACKED AND DELIVERED INTO SEPARATELY ORANGE BOX.



MONTAJ PLAKASI MONTAJ PARÇALARI, 707.000 NOLU  
TURUNCU KUTUDAN ÇIKMAKTADIR.  
MOUNTING PLATE ASSEMBLY PARTS NUMBER 707.000  
IS THE ORANGE BOX.

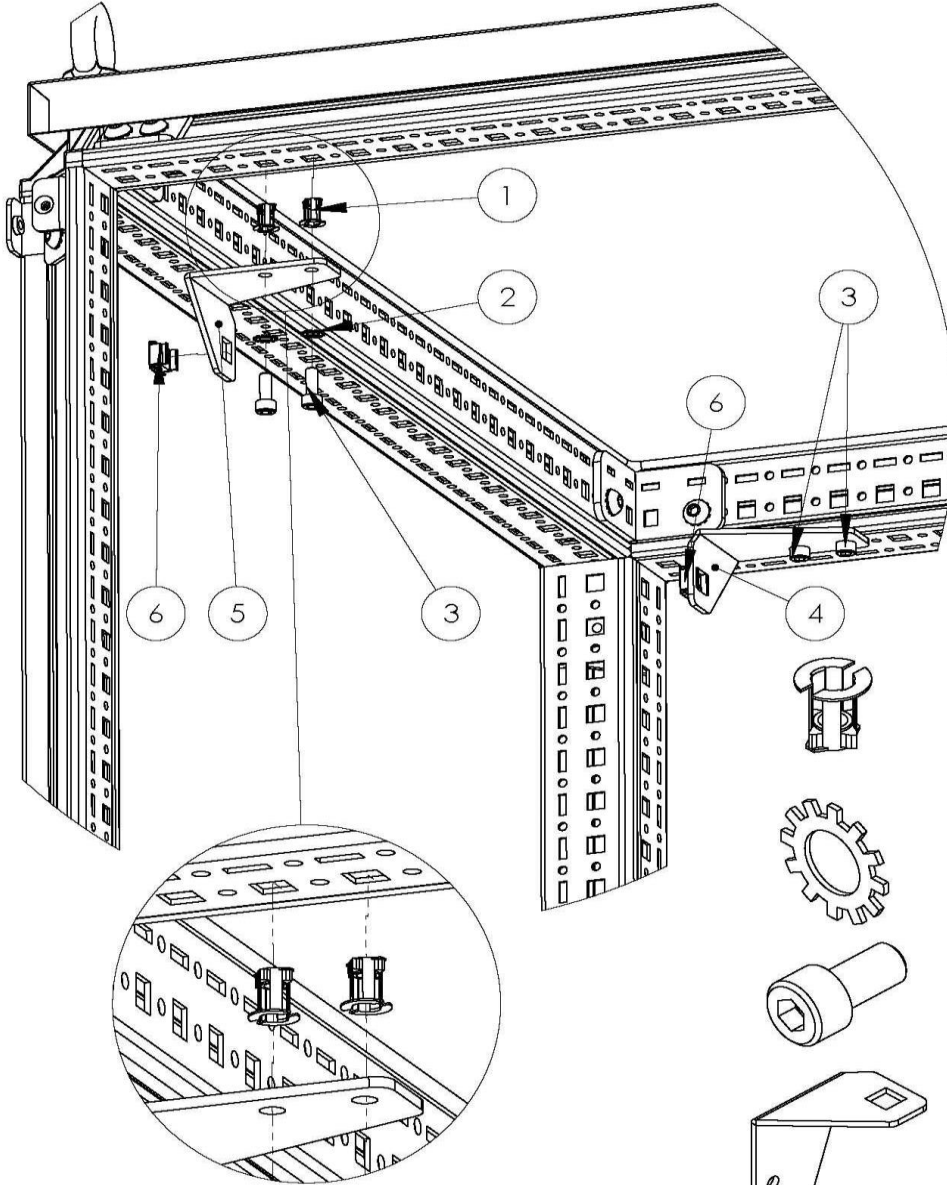


DOKÜMAN NO	KYT-058
REV. NO	0
SAYFA	68/26

**MONTAJ PLAKASI MONTAJI**  
**MOUNTING PLATE ASSEMBLING**

NOT : MONTAJ PARÇALARI PAKETİ, AYRI TURUNCU KUTUDADIR.

NOTE: ASSEMBLING PARTS PACKED AND DELIVERED INTO SEPARATELY ORANGE BOX.



1) 4 Pcs.

2) M8 4 Pcs.

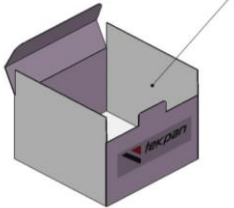
3) M6X16 4 Pcs.

4) 1 Pcs.

5) 1 Pcs.

6) M8 2 Pcs.

707.000  
MONTAJ PLAKASI, MONTAJ KITI  
MOUNTING PLATE, MOUNTING KIT

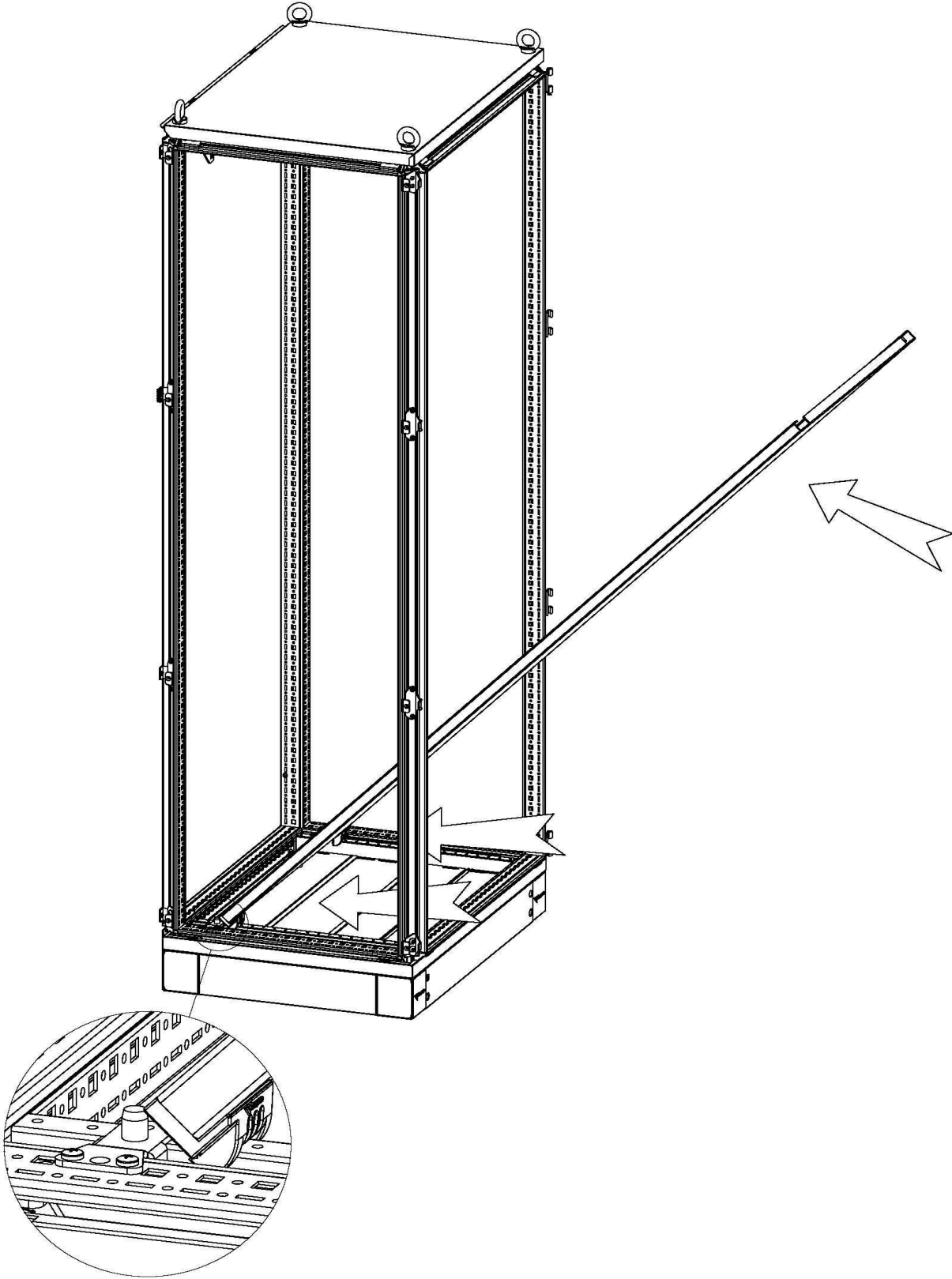


MONTAJ PLAKASI MONTAJ PARÇALARI, 707.000 NOLU  
TURUNCU KUTUDAN ÇIKMAKTADIR.

MOUNTING PLATE ASSEMBLY PARTS NUMBER 707.000  
IS THE ORANGE BOX.

**MONTAJ PLAKASI MONTAJI**  
MOUNTING PLATE ASSEMBLING

DOKÜMAN NO	KYT-058
REV. NO	0
SAYFA	68/27

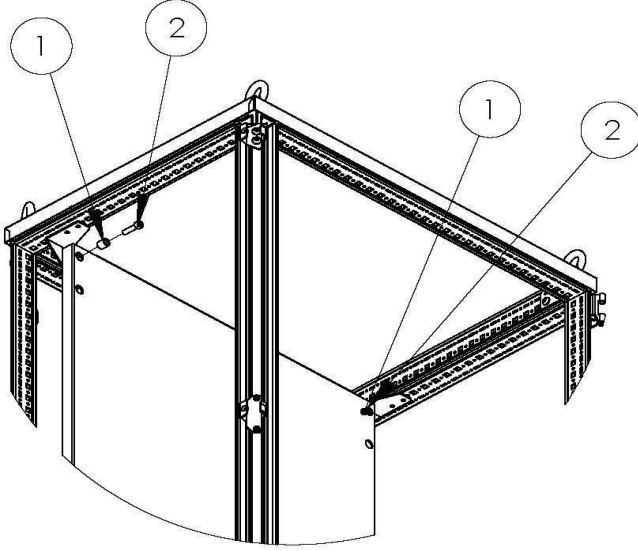


DOKÜMAN NO	KYT-058
REV. NO	0
SAYFA	68/28

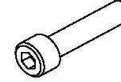
**MONTAJ PLAKASI MONTAJI**  
**MOUNTING PLATE ASSEMBLING**

NOT : MONTAJ PARÇALARI PAKETİ, AYRI TURUNCU KUTUDADIR.

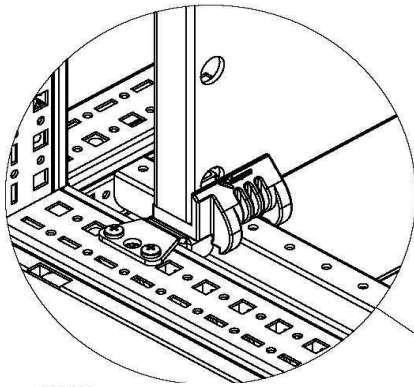
NOTE: ASSEMBLING PARTS PACKED AND DELIVERED INTO SEPARATELY ORANGE BOX.



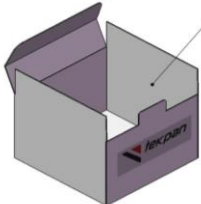
1) 2 Pcs.



2) M8X30 2 Pcs.

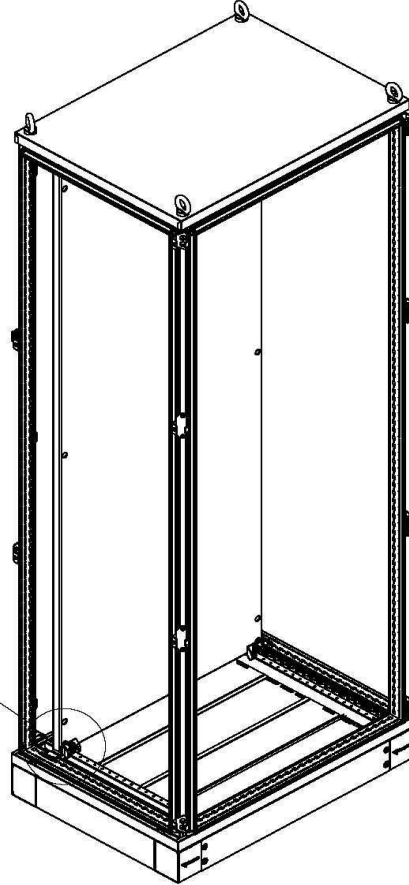


707.000  
MONTAJ PLAKASI, MONTAJ KITI  
MOUNTING PLATE, MOUNTING KIT



MONTAJ PLAKASI MONTAJ PARÇALARI, 707.000 NOLU  
TURUNCU KUTUDAN ÇIKMAKTADIR.

MOUNTING PLATE ASSEMBLY PARTS NUMBER 707.000  
IS THE ORANGE BOX.



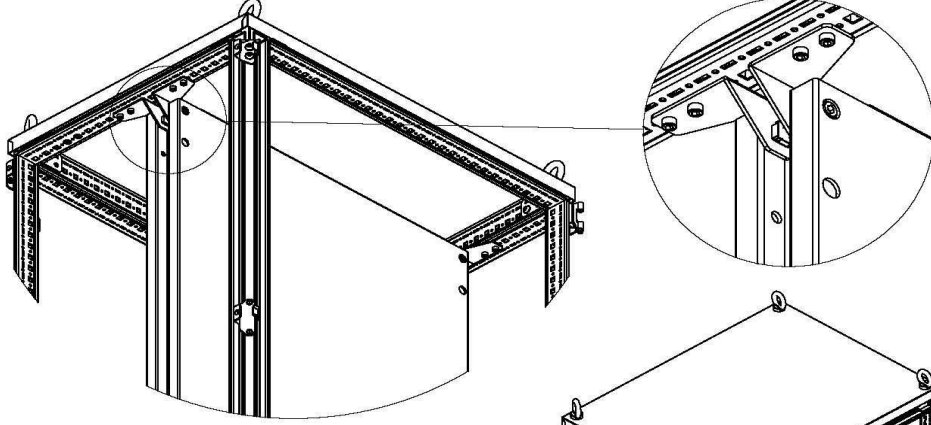


DOKÜMAN NO	KYT-058
REV. NO	0
SAYFA	68/29

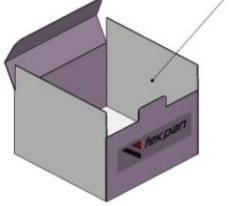
**MONTAJ PLAKASI MONTAJI**  
**MOUNTING PLATE ASSEMBLING**

NOT : MONTAJ PARÇALARI PAKETİ, AYRI TURUNCU KUTUDADIR.

NOTE: ASSEMBLING PARTS PACKED AND DELIVERED INTO SEPARATELY ORANGE BOX.

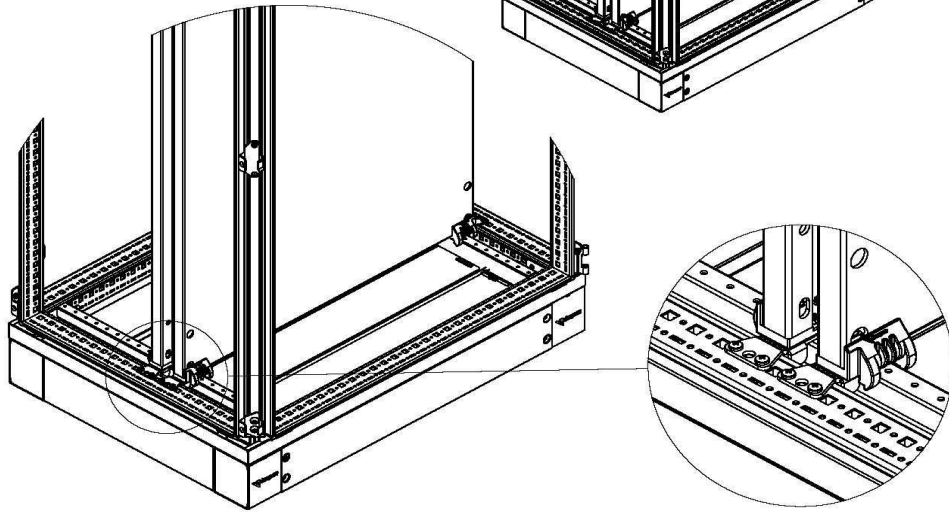
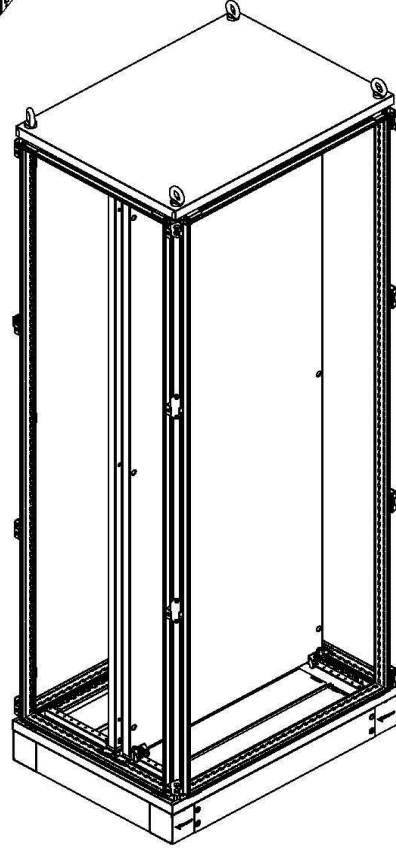


707.000  
MONTAJ PLAKASI, MONTAJ KİTİ  
MOUNTING PLATE, MOUNTING KIT



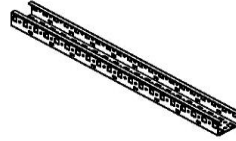
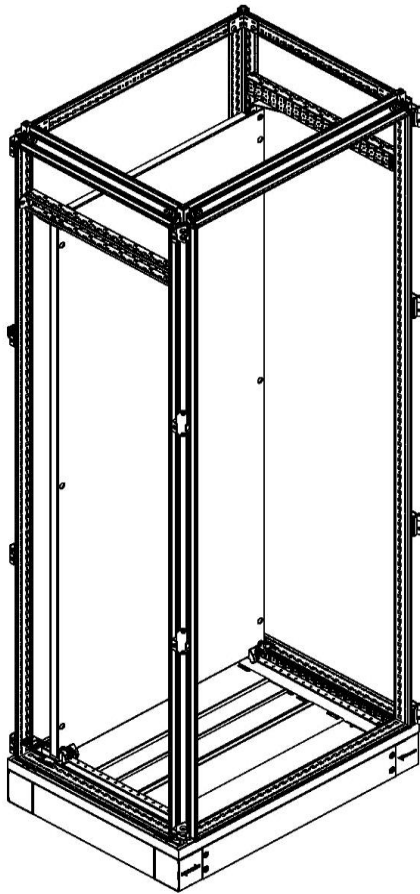
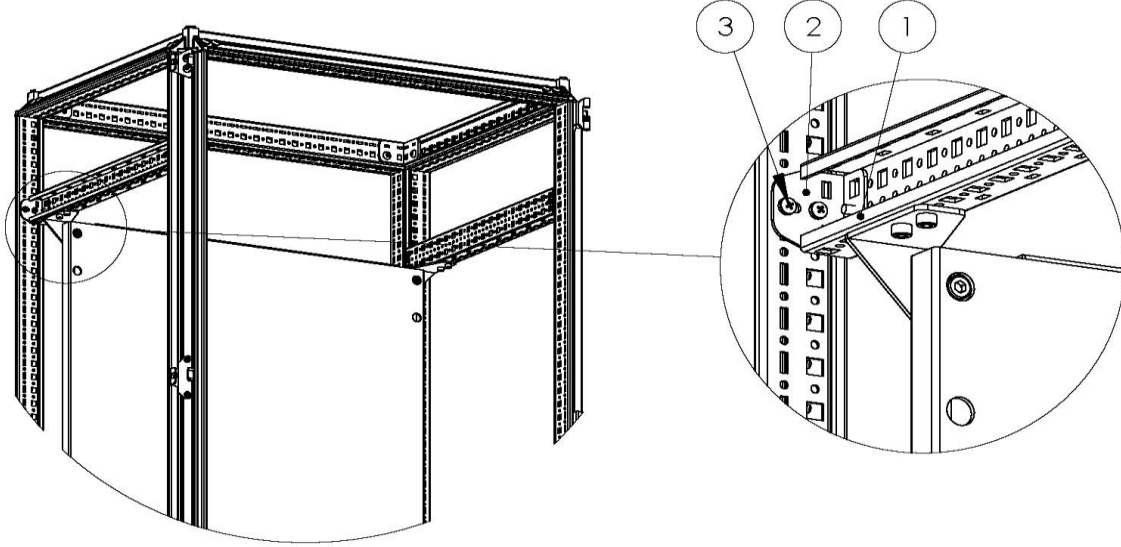
MONTAJ PLAKASI MONTAJ PARÇALARI, 707.000 NOLU  
TURUNCU KUTUDAN ÇIKMAKTADIR.

MOUNTING PLATE ASSEMBLY PARTS NUMBER 707.000  
IS THE ORANGE BOX.

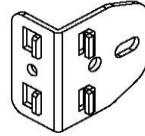


DOKÜMAN NO	KYT-058
REV. NO	0
SAYFA	68/30

**KISA MONTAJ PLAKASI UYGULAMASI**  
**SHORT MOUNTING PLATE APPLICATION**



1) 2 Pcs.

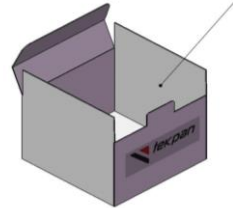


2) 4 Pcs.



3) M5x10 12 Pcs.

707.000  
MONTAJ PLAKASI, MONTAJ KİTİ  
MOUNTING PLATE, MOUNTING KIT

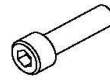
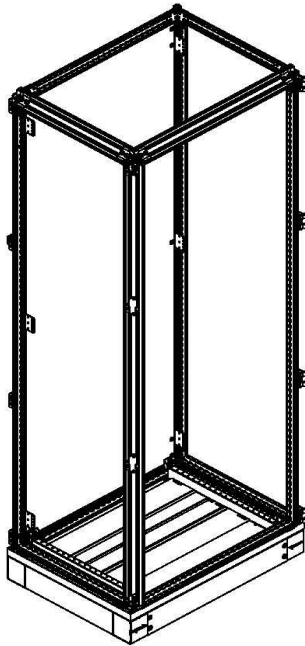
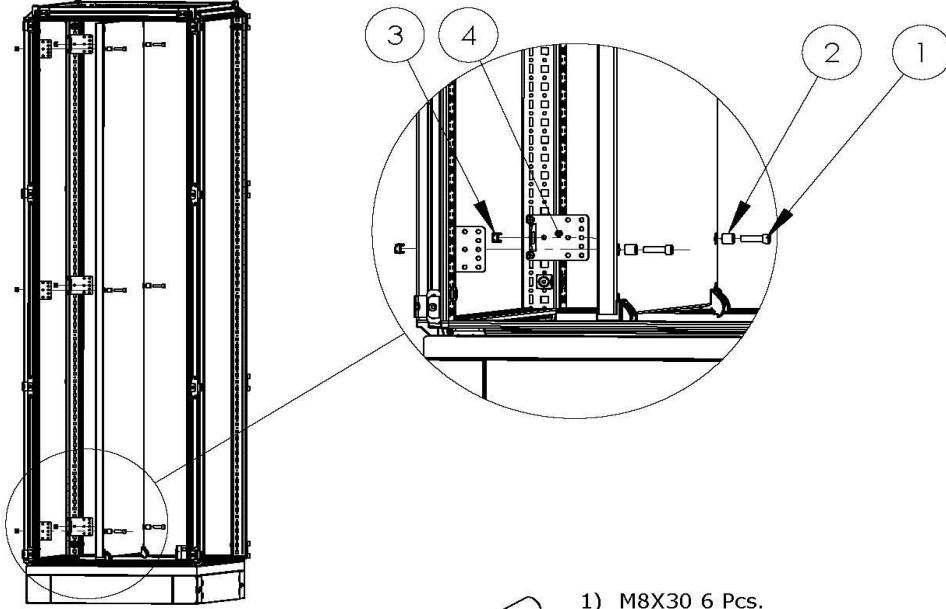


MONTAJ PLAKASI MONTAJ PARÇALARI 707.000 NOLU  
TURUNCU KUTUDAN ÇIKMAKTADIR.

MOUNTING PLATE ASSEMBLY PARTS NUMBER 707.000  
IS THE ORANGE BOX.

**MONTAJ PLAKASI SIRTA DAYAMA SİSTEMİ**  
MOUNTING PLATE LEANING SYSTEM

DOKÜMAN NO	KYT-058
REV. NO	0
SAYFA	68/31



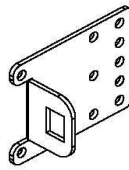
1) M8X30 6 Pcs.



2) 6 Pcs.



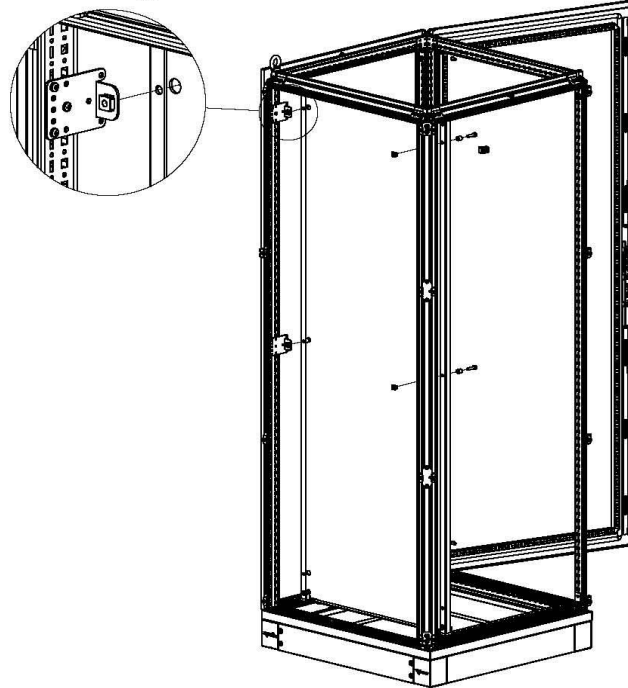
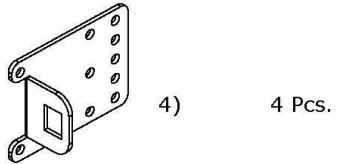
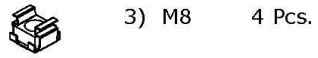
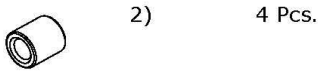
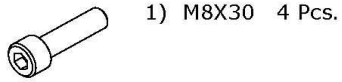
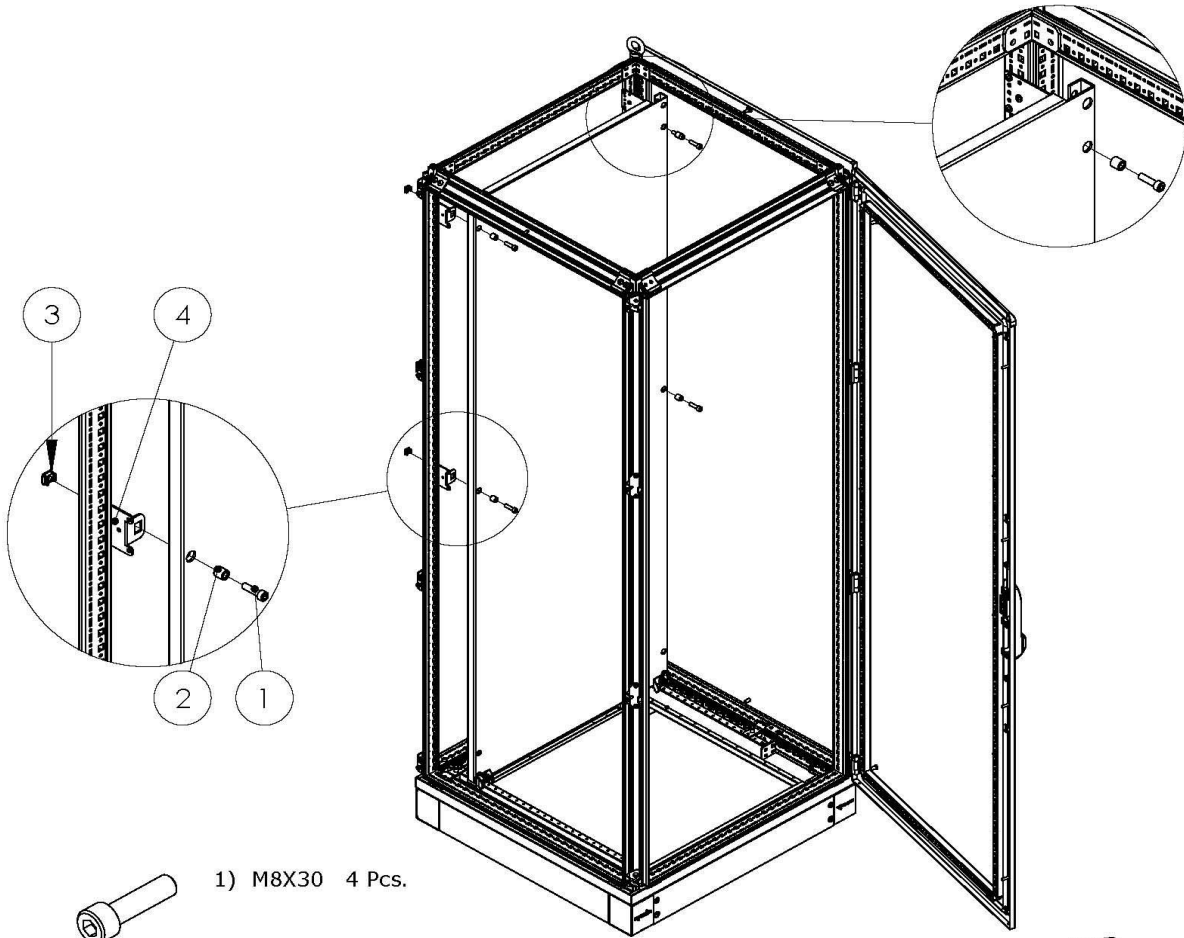
3) M8 6 Pcs.



4) 6 Pcs.

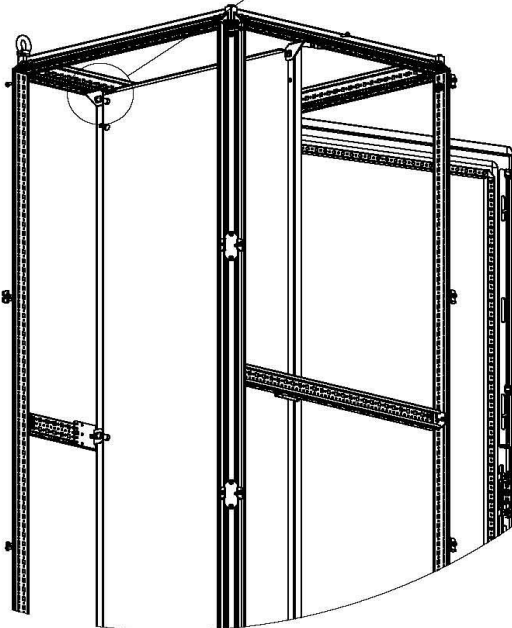
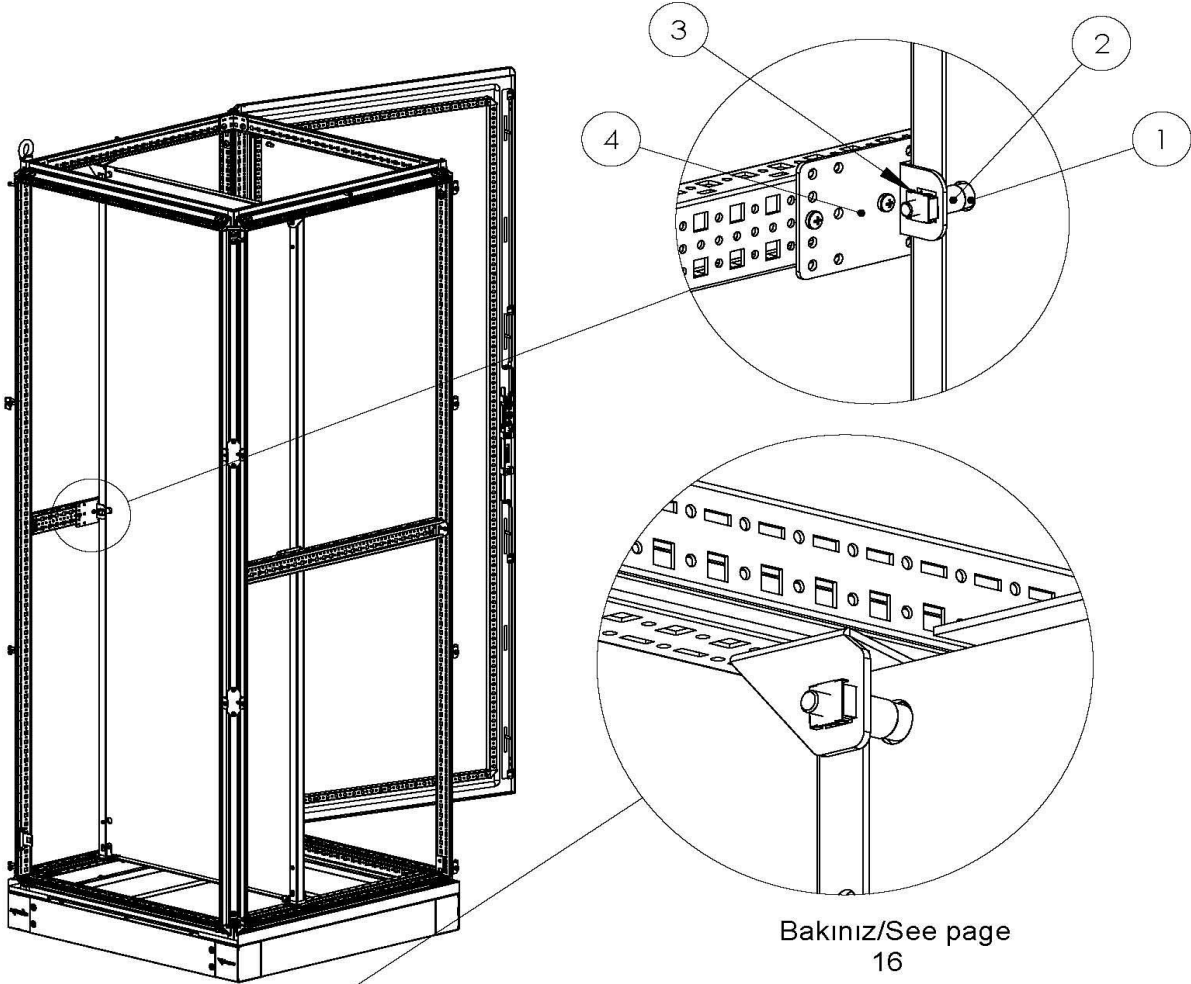
DOKÜMAN NO	KYT-058
REV. NO	0
SAYFA	68/32

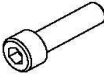


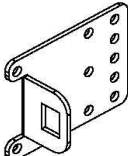
**MONTAJ PLAKASI SIRTA DAYAMA SİSTEMİ**  
MOUNTING PLATE LEANING SYSTEM



**MONTAJ PLAKASI ORTADAN DESTEK**  
**MIDDLE SUPPORT MOUNTING PLATE**

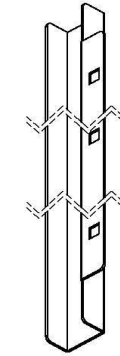
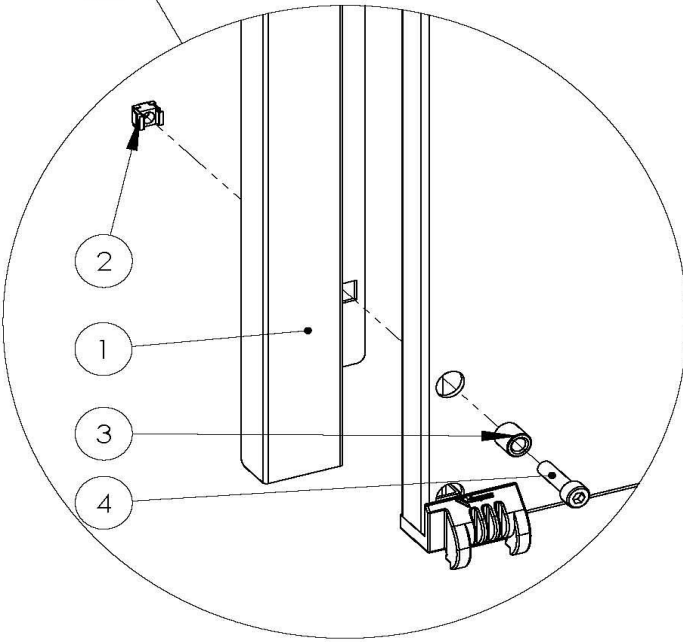
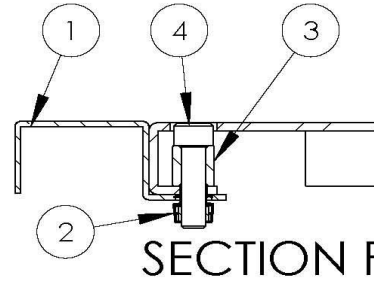
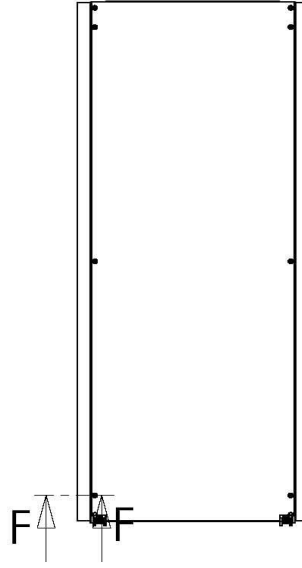
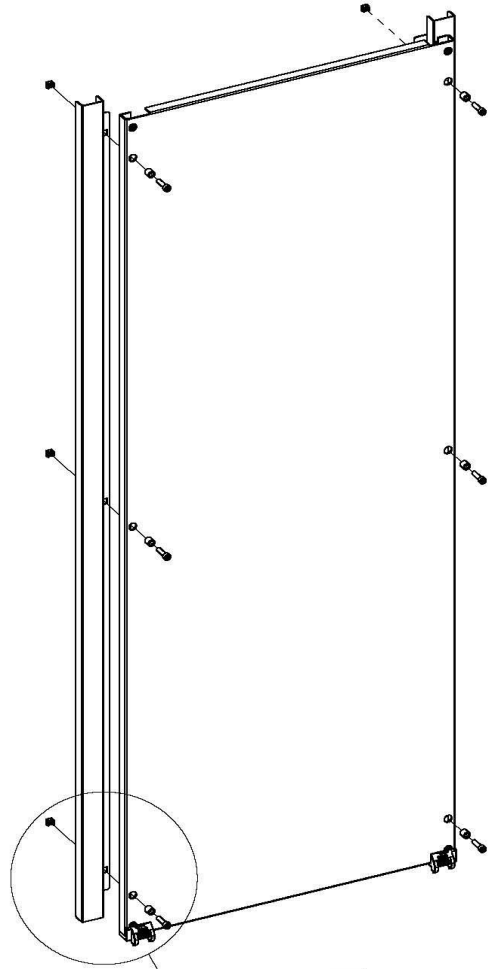
DOKÜMAN NO	KYT-058
REV. NO	0
SAYFA	68/33



-  1) M8X30 4 Pcs.
-  2) 4 Pcs.
-  3) M8 4 Pcs.
-  4) 4 Pcs.

DOKÜMAN NO	KYT-058
REV. NO	0
SAYFA	68/34

**MONTAJ PLAKASI KENAR UZATMA**  
MOUNTING PLATE FOR CORNER EXTENSION



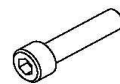
1) 2 Pcs.



2) M8 6 Pcs.



3) 6 Pcs.

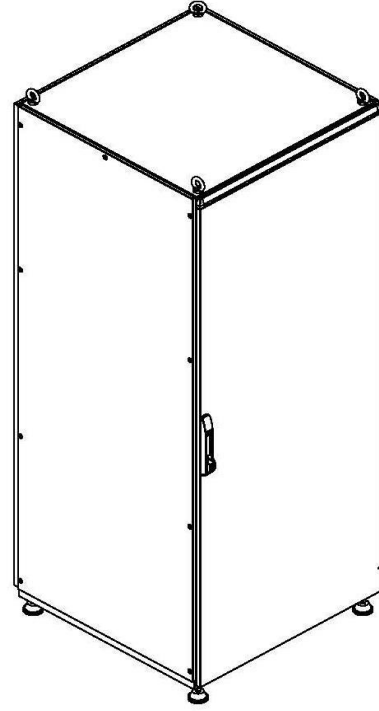
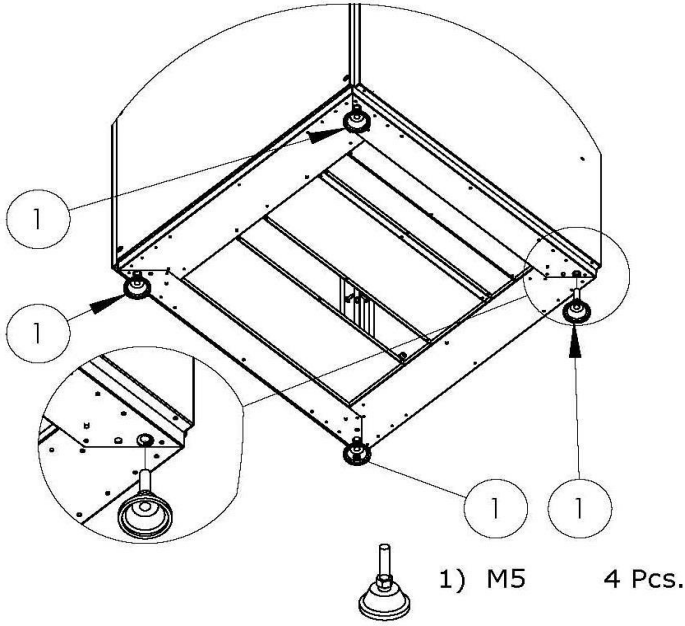


4) M8x30 6 Pcs.

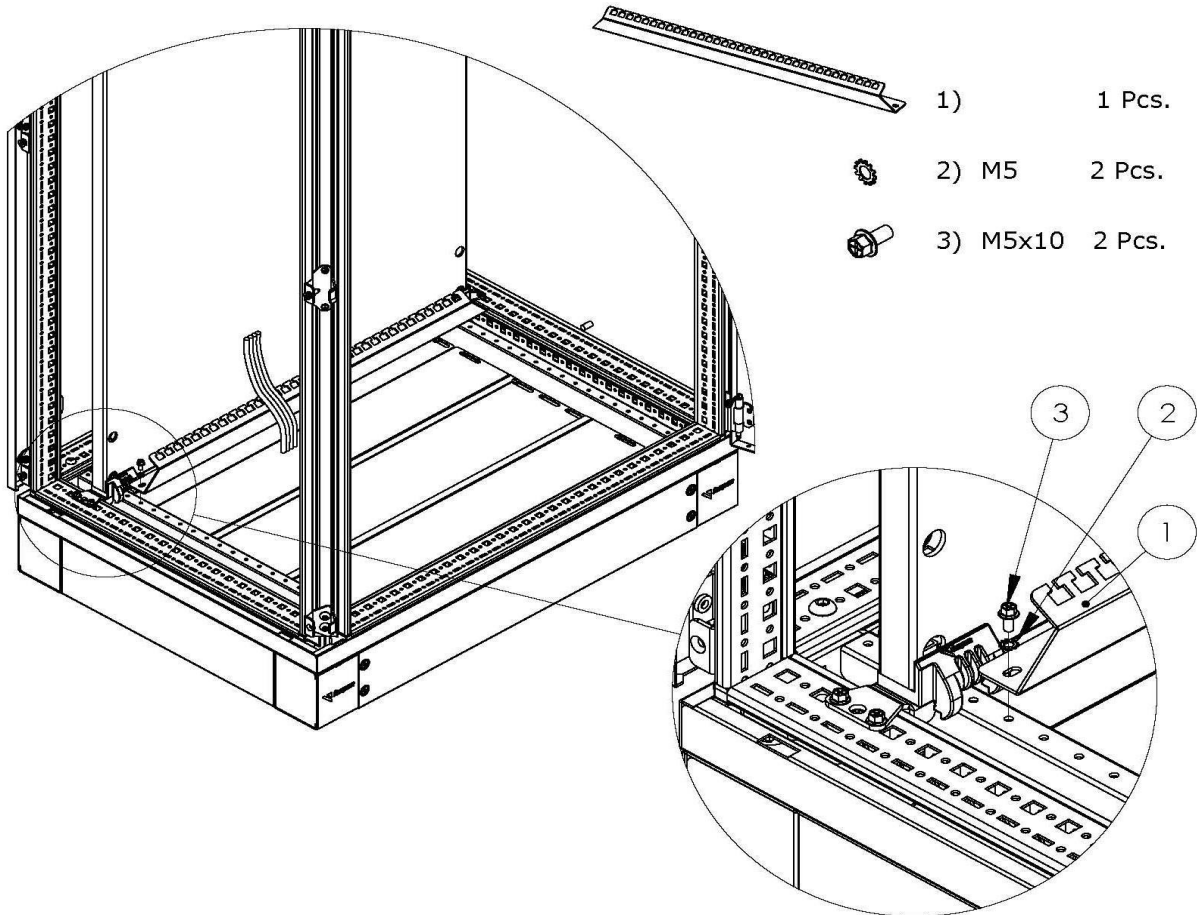


DOKÜMAN NO	KYT-058
REV. NO	0
SAYFA	68/35

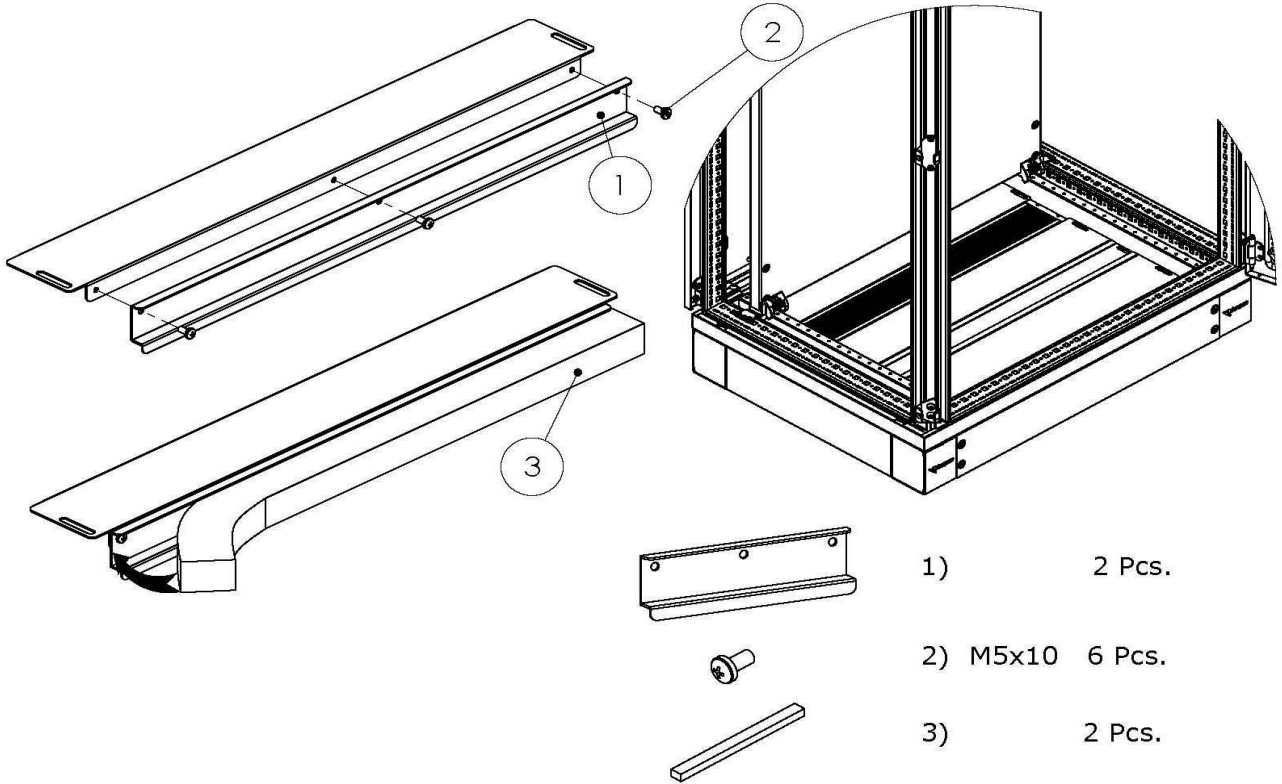
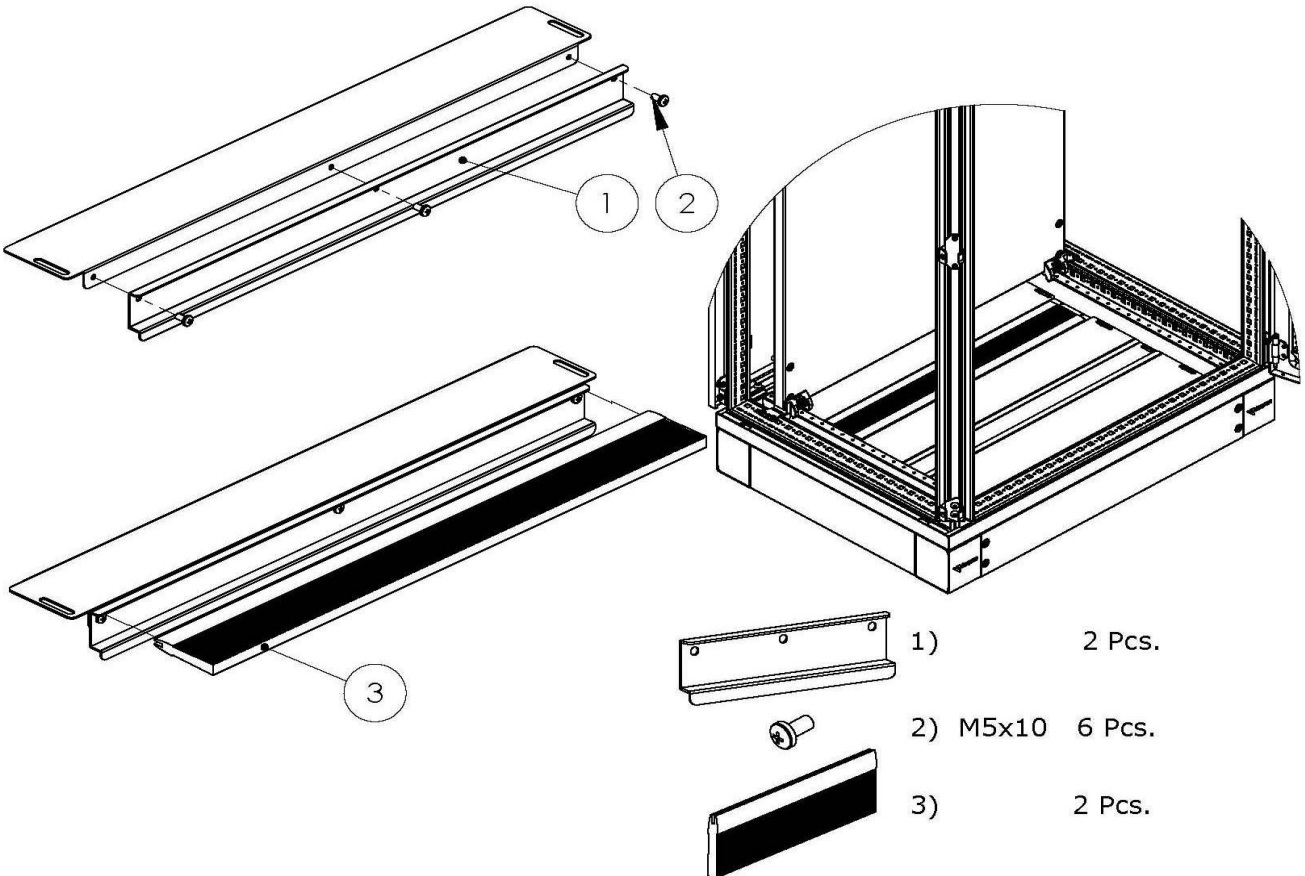
**AYARLI AYAK MONTAJI**  
LEVELING FEET ASSEMBLING



**KABLO TUTUCU PROFİL MONTAJI**  
CABLE CLAMP RAIL ASSEMBLING



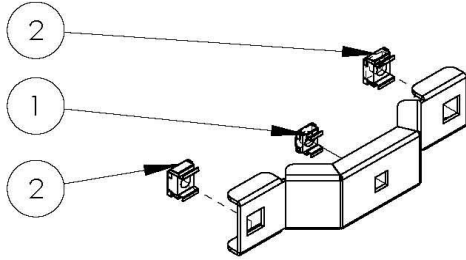
DOKÜMAN NO	KYT-058
REV. NO	0
SAYFA	68/36



**SÜNGERLİ KABLO GİRİŞİ MONTAJI.**  
**FOAM GASKET GLAND ASSEMBLING.****FIRÇALI KABLO GİRİŞİ MONTAJI.**  
**BRUSHED GASKET GLAND ASSEMBLING.**

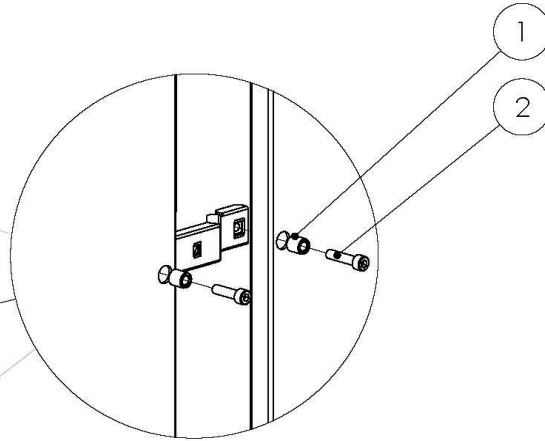
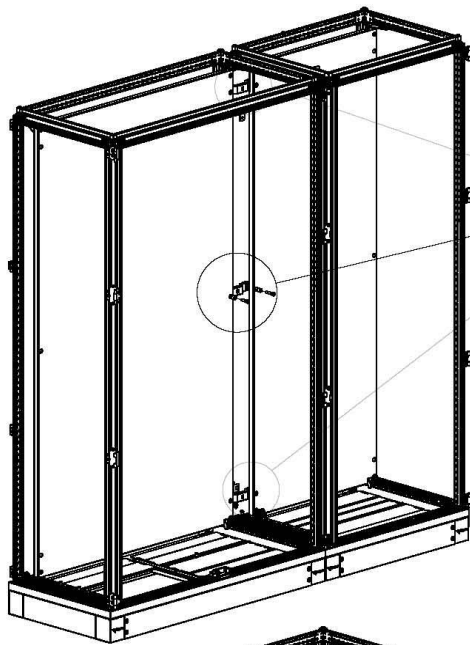



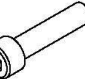

DOKÜMAN NO	KYT-058
REV. NO	0
SAYFA	68/37

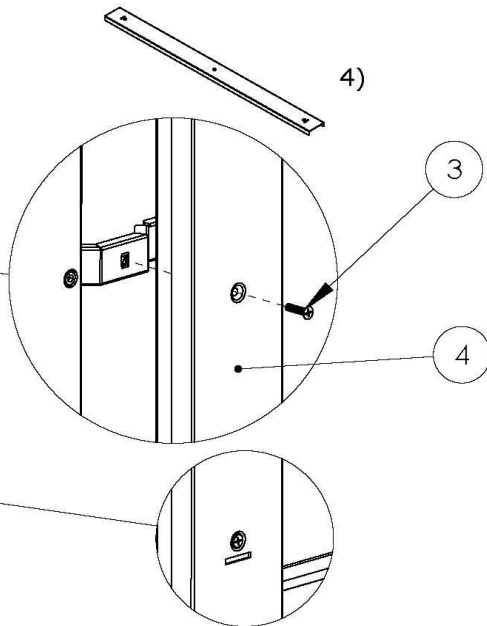
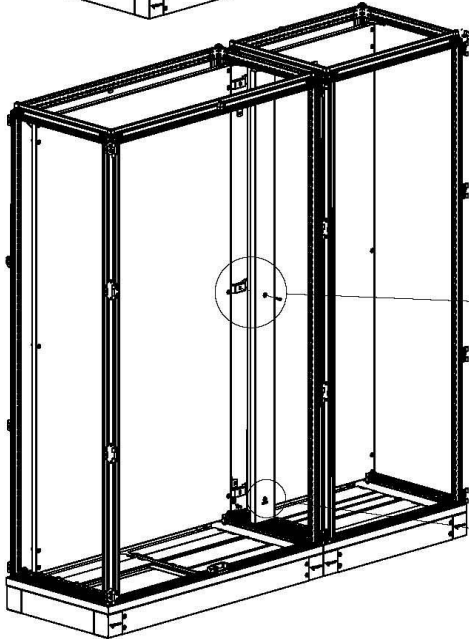
**ARA MONTAJ PLAKASI MONTAJI.**  
**INTERMEDIATE MOUNTING PLATE ASSEMBLING.**



-  1) M6 1 Pcs.
-  2) M8 2 Pcs.



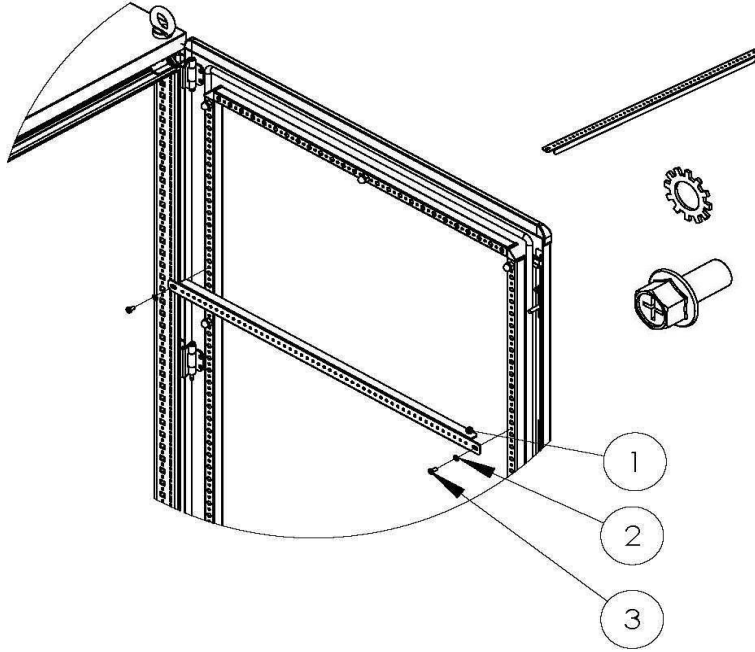
-  1) 6 Pcs.
-  2) M8x30 6 Pcs.
-  3) M6x25 3 Pcs.



-  4) 1 Pcs.

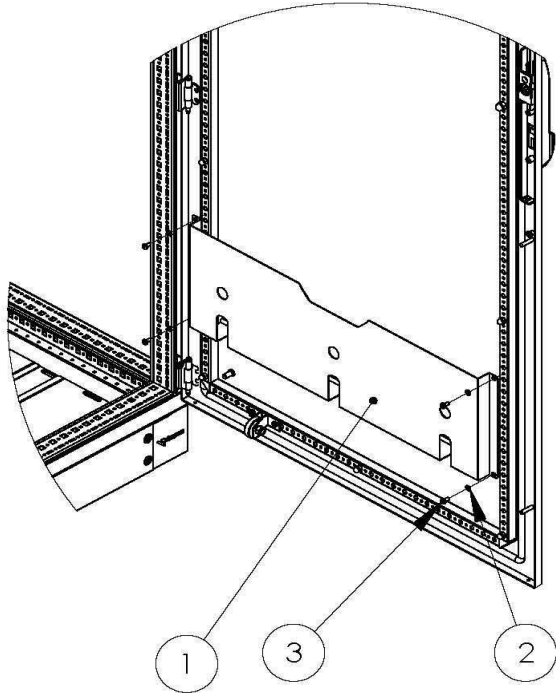
DOKÜMAN NO	KYT-058
REV. NO	0
SAYFA	68/38

**KAPI KANAL PROFİLİ MONTAJI.**  
CABLE TRAY DOOR RAIL ASSEMBLING.



- 1) 1 Pcs.
- 2) M5 2 Pcs.
- 3) M5x10 2 Pcs.

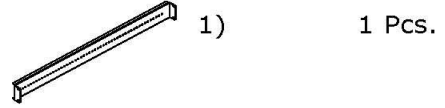
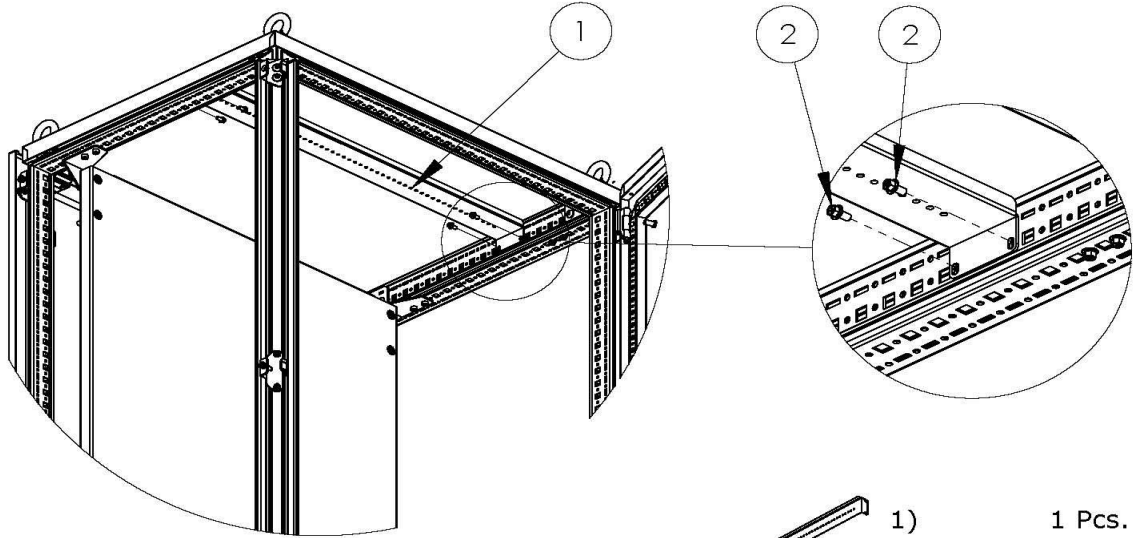
**METAL PROJE CEBİ MONTAJI.**  
METAL PLAN POCKET ASSEMBLING.



- 1) 1 Pcs.
- 2) M5 4 Pcs.
- 3) M5x10 4 Pcs.

**LAMBA TUTUCU PROFİL VE LAMBA MONTAJI**  
**LAMP HOLDER RAIL AND LAMP ASSEMBLING**

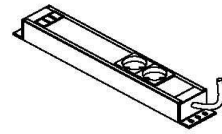
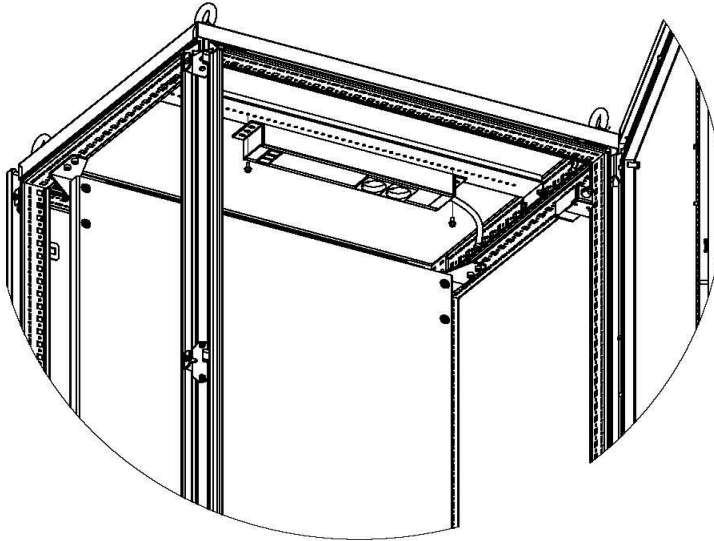
DOKÜMAN NO	KYT-058
REV. NO	0
SAYFA	68/39



1) 1 Pcs.



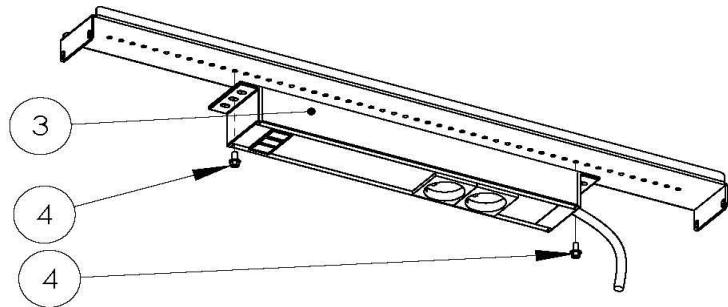
2) M5x10 4 Pcs.



3) 1 Pcs.

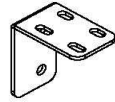
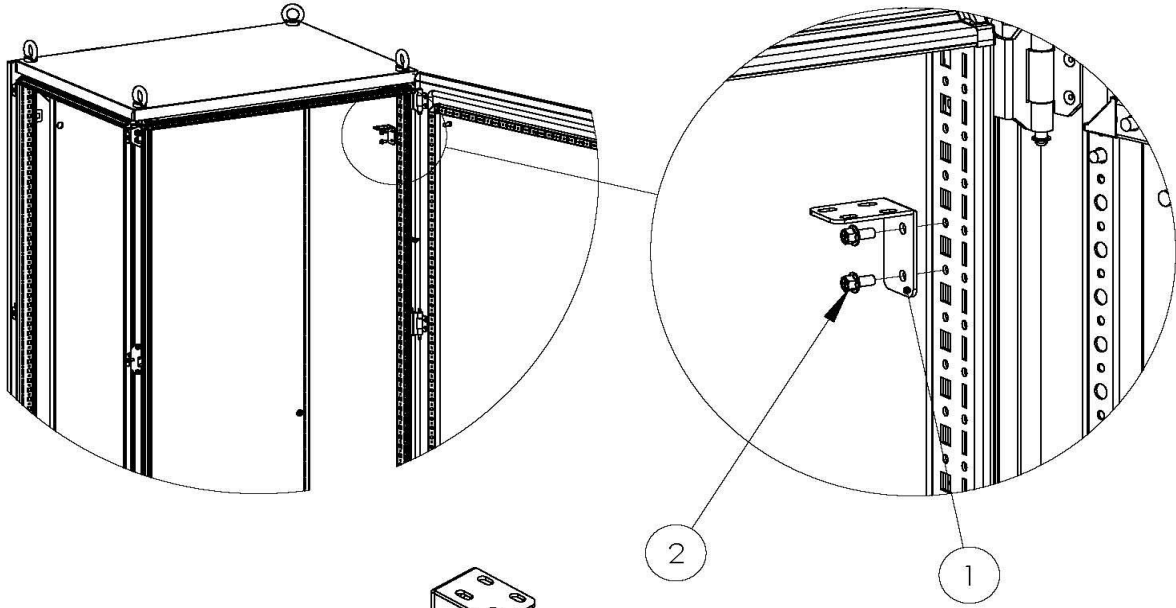


4) M5x10 2 Pcs.



DOKÜMAN NO	KYT-058
REV. NO	0
SAYFA	68/40

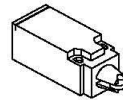
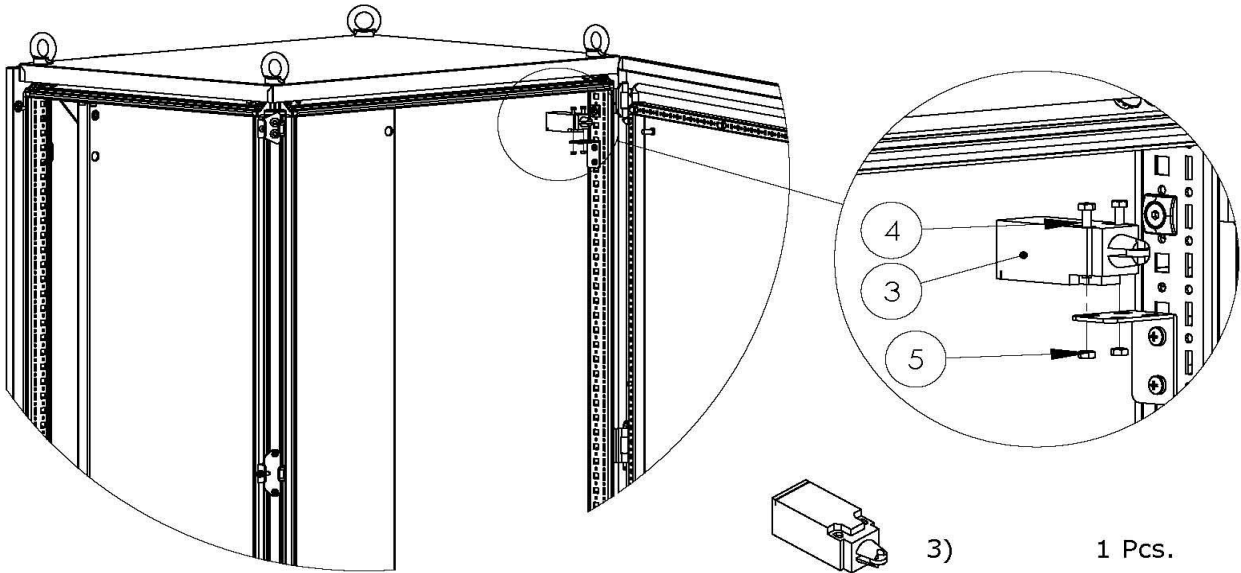
**KAPI AYDINLATMA ANAHTAR TUTUCU VE ANAHTAR MONTAJI**  
**DOOR SWITCH HOLDER AND SWITCH ASSEMBLING**



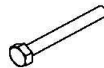
1) 1 Pcs.



2) M5x10 2 Pcs.



3) 1 Pcs.



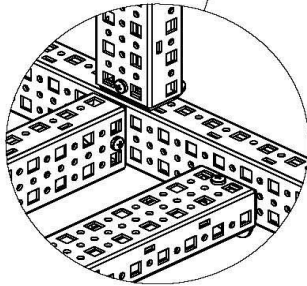
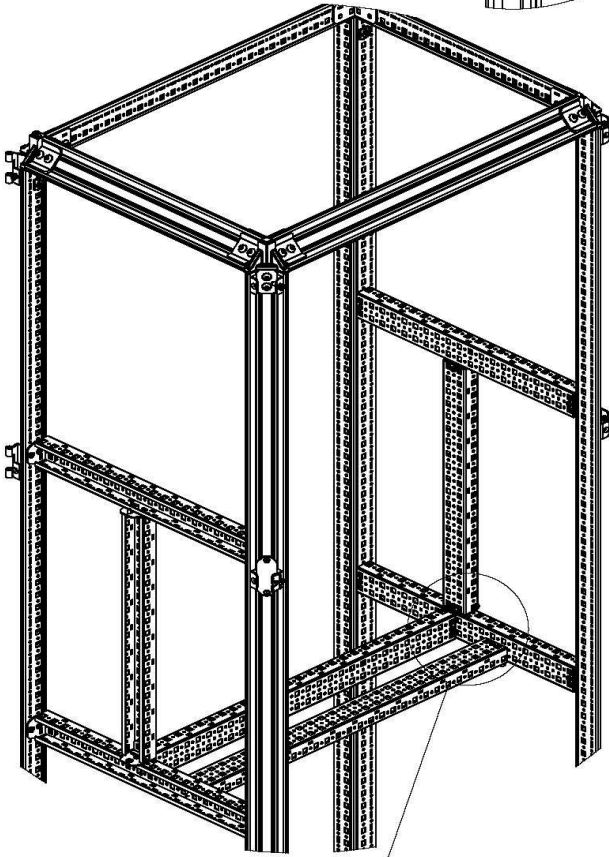
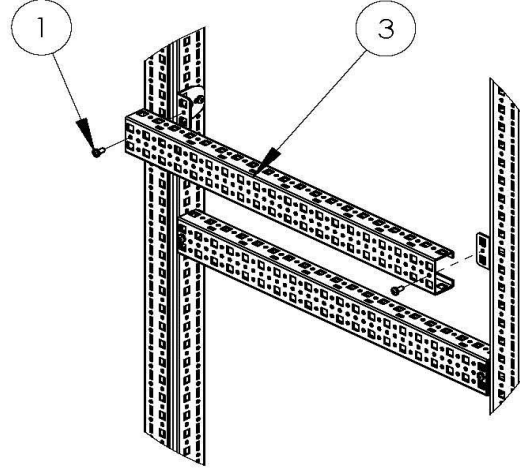
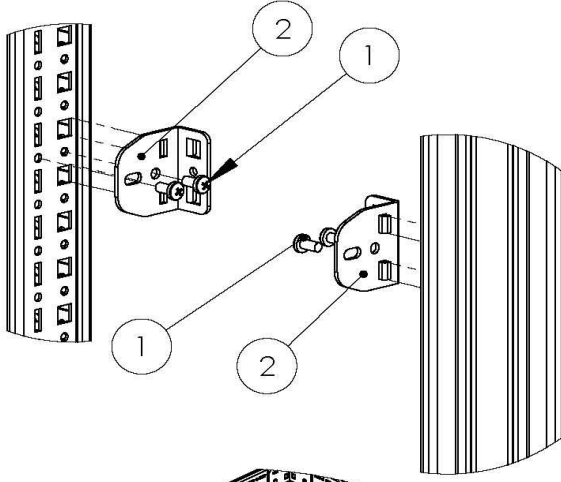
4) M4X35 2 Pcs.



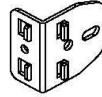
5) M4 2 Pcs.

**PLUG-IN RAIL BRACKET AND SCISSILE RAIL SYSTEM**  
GEÇMELİ ATKI TUTUCU VE KESİLEBİLİR ATKI

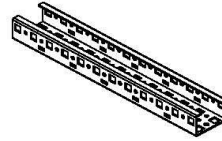
DOKÜMAN NO	KYT-058
REV. NO	0
SAYFA	68/41



1) M5x10 6 Pcs.



2) 2 Pcs.

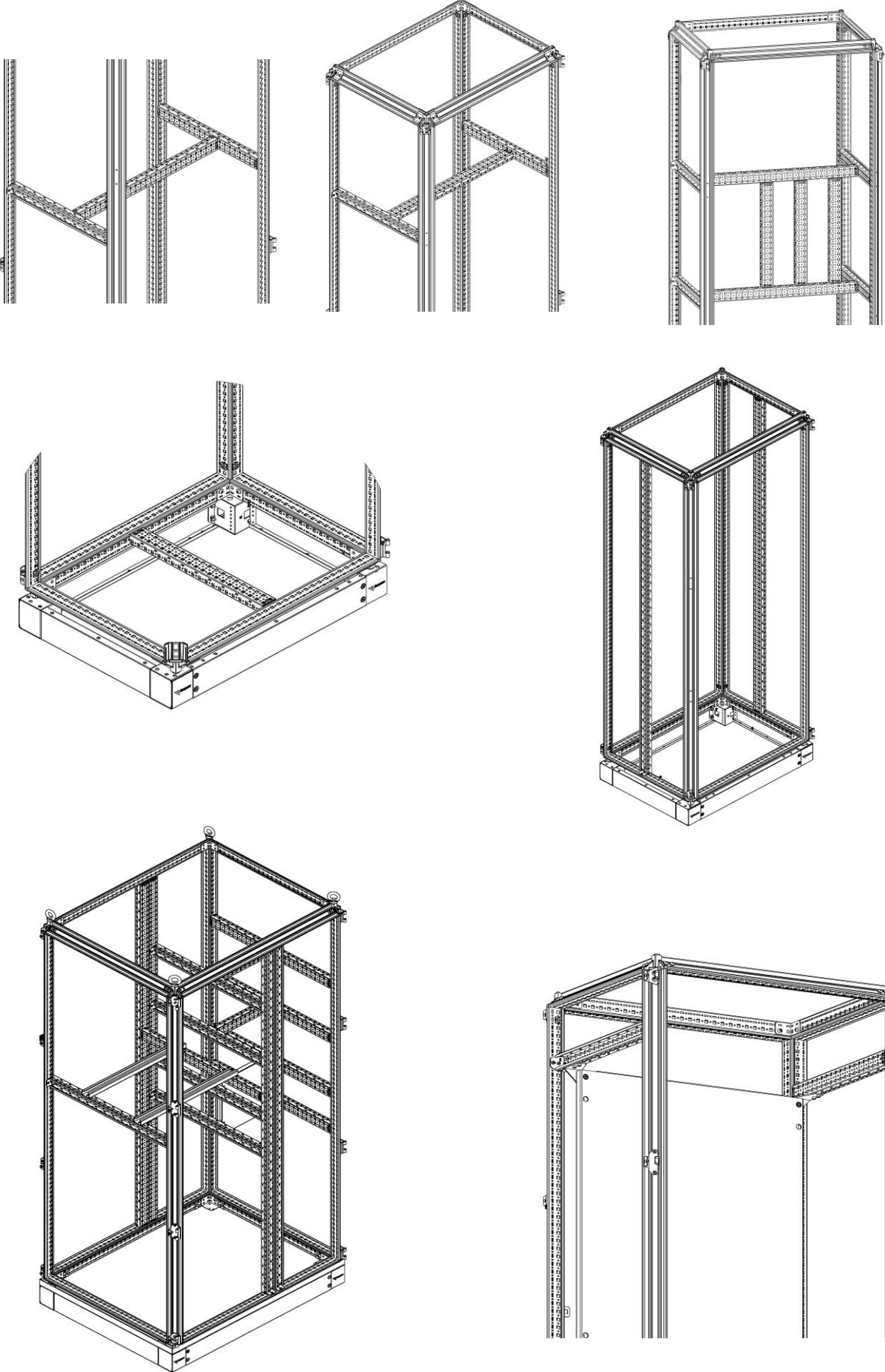


3) 1 Pcs.



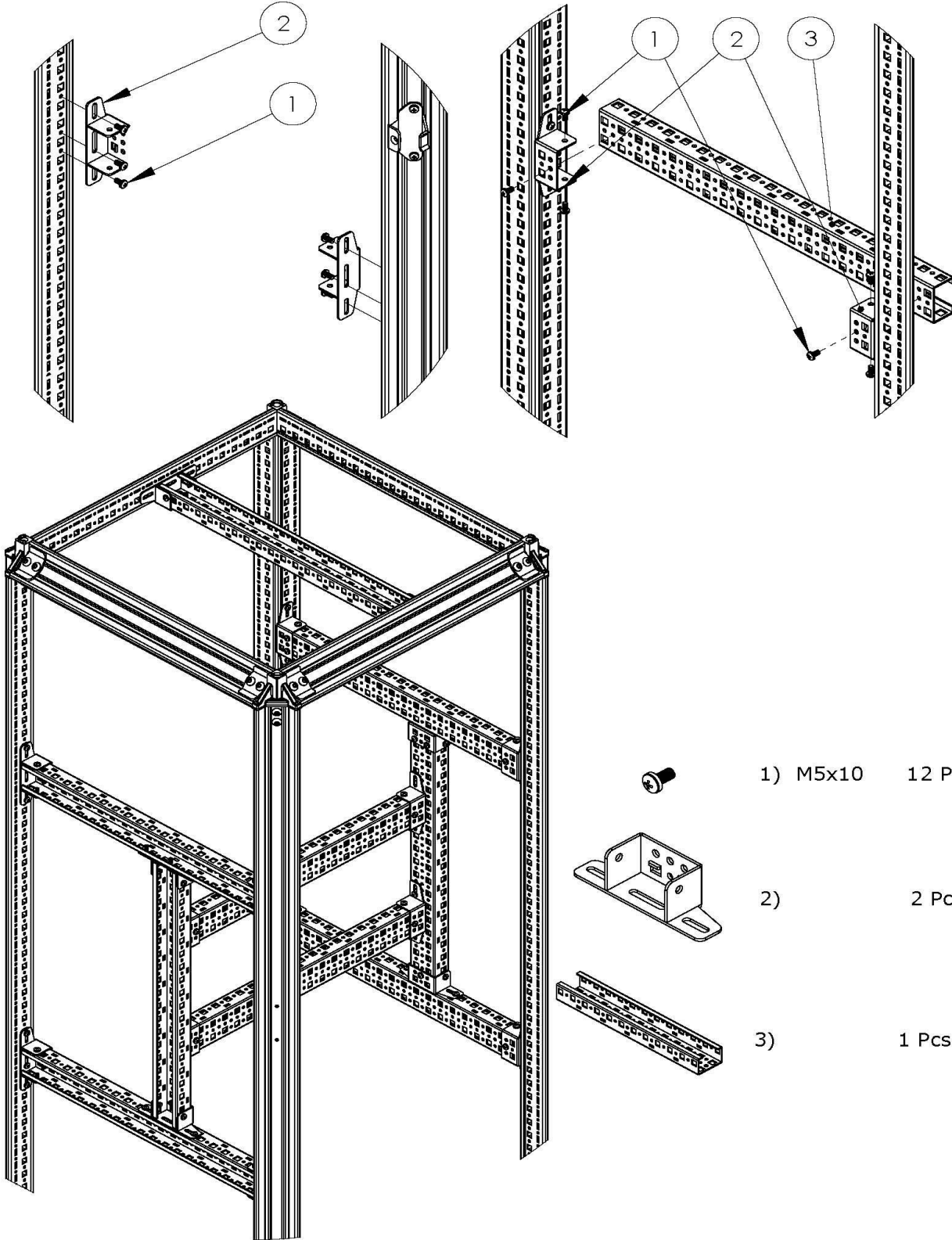
DOKÜMAN NO	KYT-058
REV. NO	0
SAYFA	68/42

**PLUG-IN RAIL BRACKET**  
**GEÇMELİ ATKI TUTUCU**



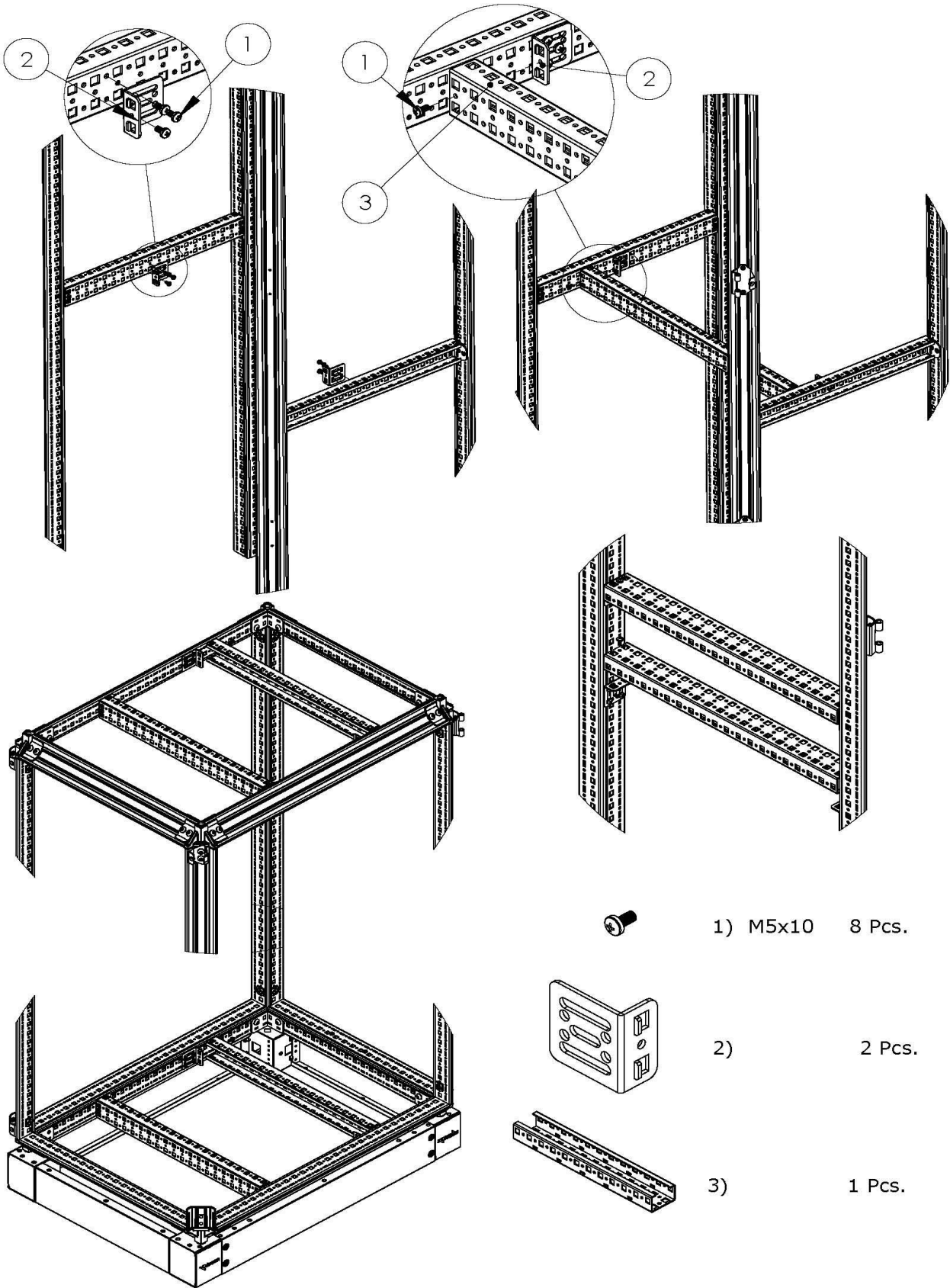


DOKÜMAN NO	KYT-058
REV. NO	0
SAYFA	68/43

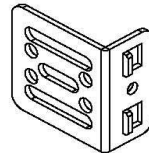
ADJUSTABLE RAIL BRACKET  
AYARLI ATKI TUTUCU

DOKÜMAN NO	KYT-058
REV. NO	0
SAYFA	68/44

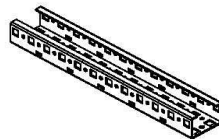
**ADJUSTABLE RAIL BRACKET (TYPE L)**  
AYARLI ATKI TUTUCU (L TİP)



1) M5x10 8 Pcs.



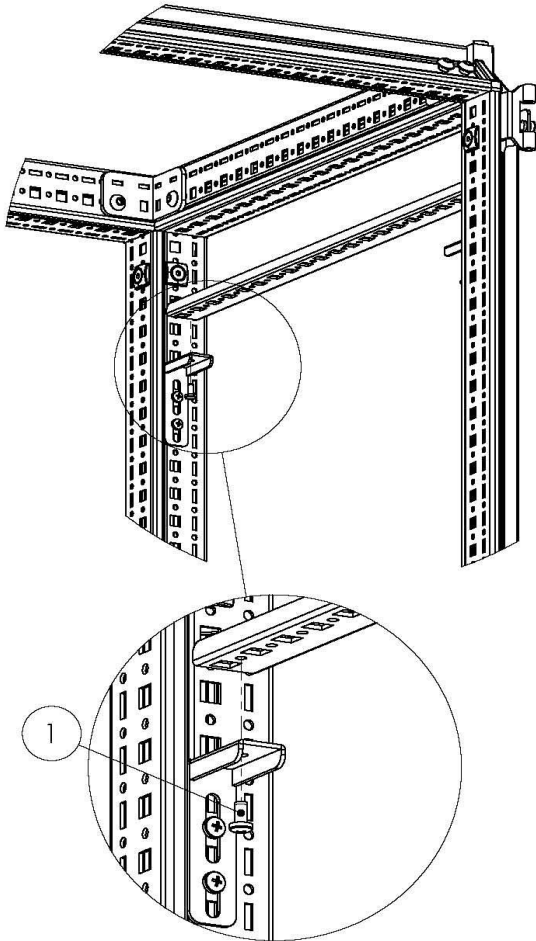
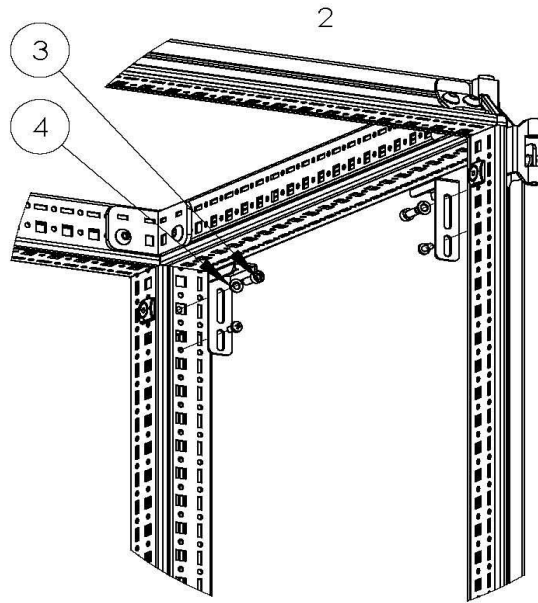
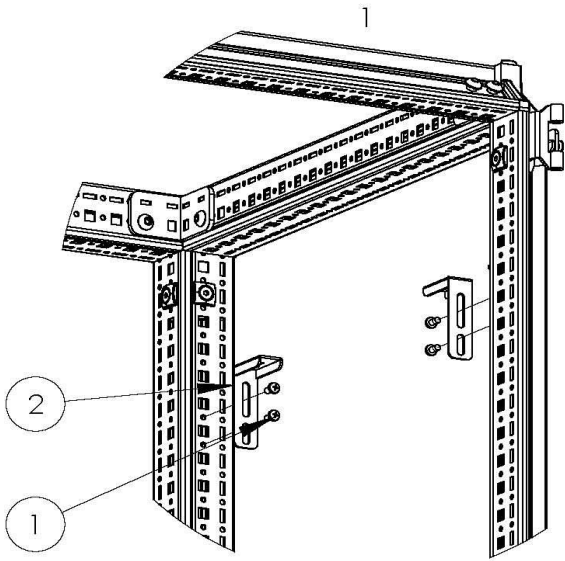
2) 2 Pcs.



3) 1 Pcs.

DOKÜMAN NO	KYT-058
REV. NO	0
SAYFA	68/45

**AUXILIARY RAIL BRACKET**  
**YARDIMCI ATKI TUTUCU**



**1**

1) M5x10 6 Pcs.

2) 2 Pcs.

**2**

1) M5x10 4 Pcs.

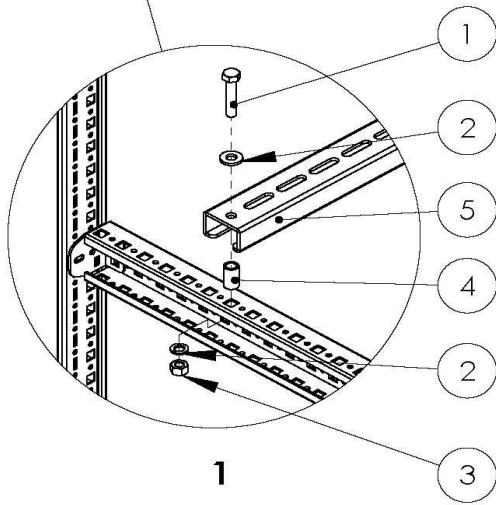
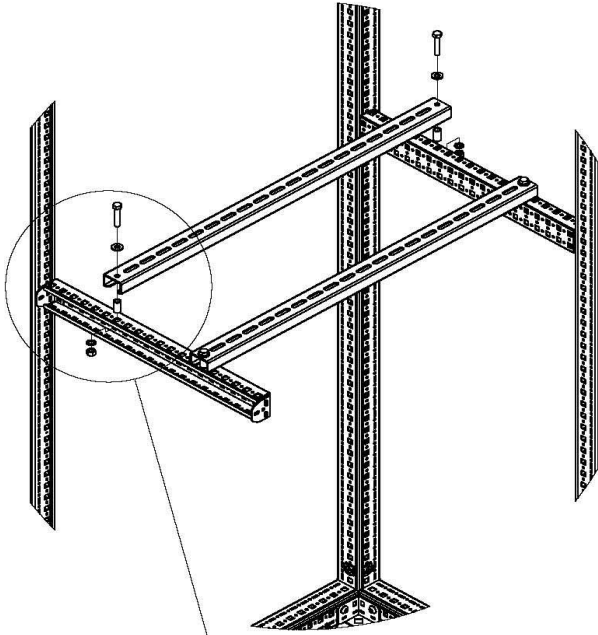
2) 2 Pcs.

3) M6x16 2 Pcs.

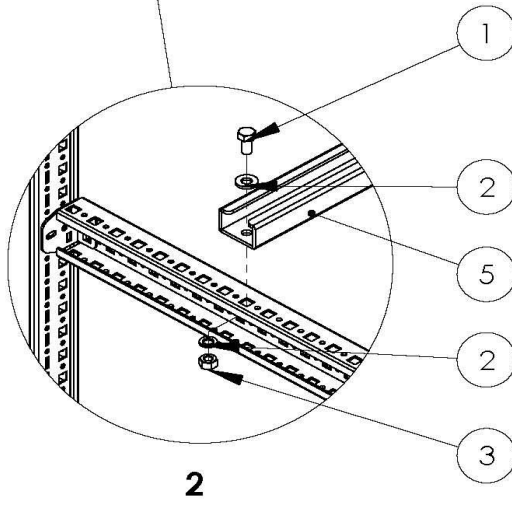
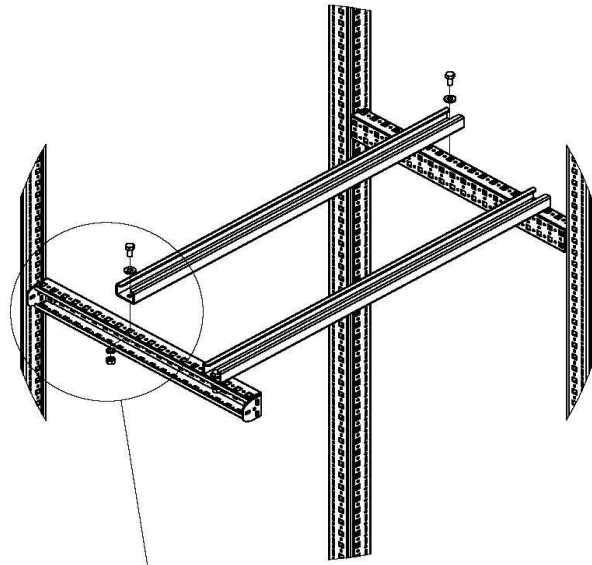
4) M6 2 Pcs.

DOKÜMAN NO	KYT-058
REV. NO	0
SAYFA	68/46

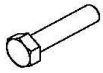
**HEAVY EQUIPMENT PROFILE**  
**AĞIR EKİPMAN PROFİLİ**



1



2



1) M8x40 2 Pcs.



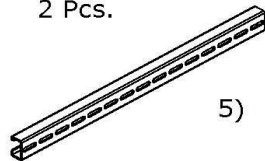
2) M8 4 Pcs.



3) M8 2 Pcs.



4) 2 Pcs.



5)



1) M8x40 2 Pcs.



2) M8 4 Pcs.



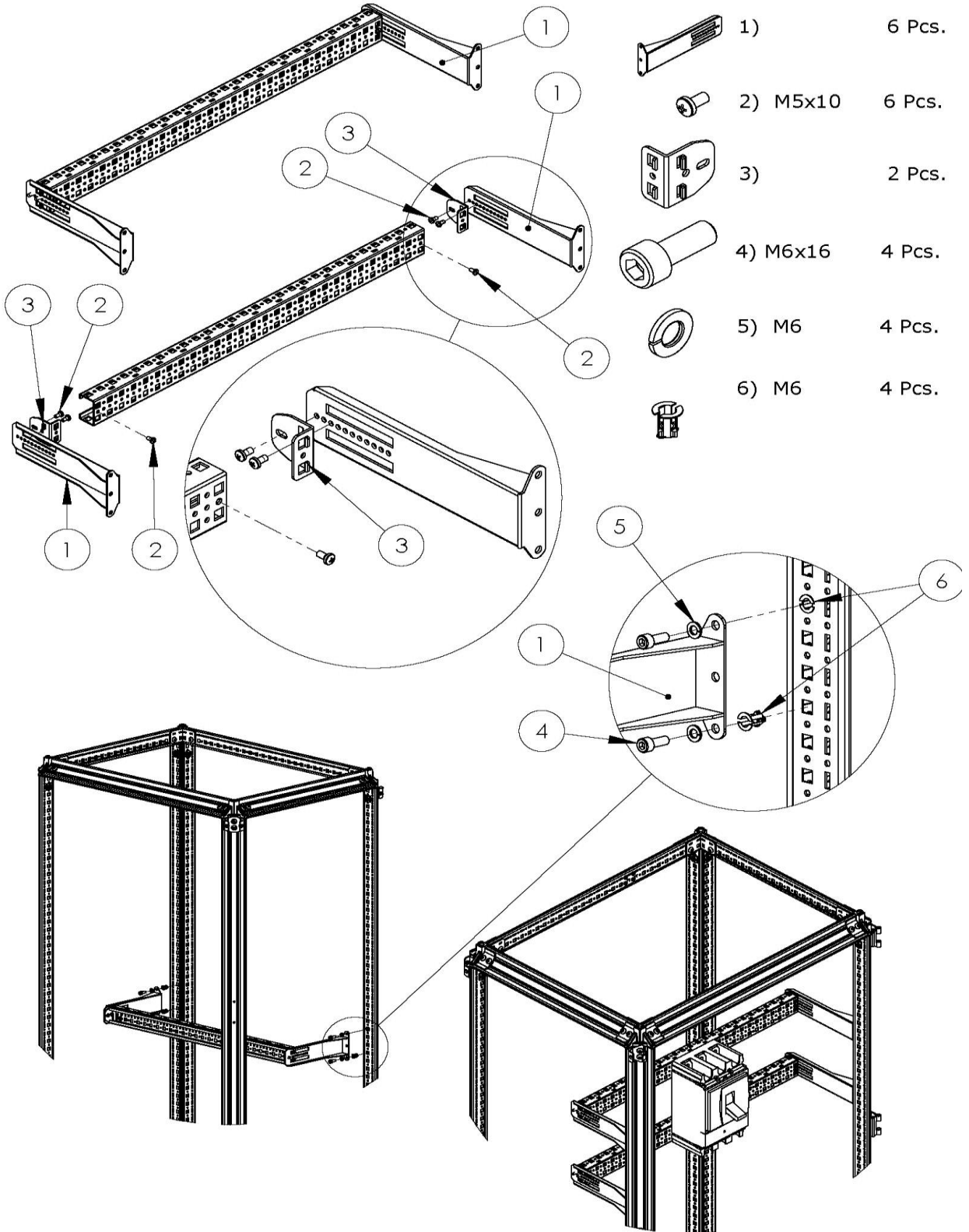
3) M8 2 Pcs.

1 Pcs.



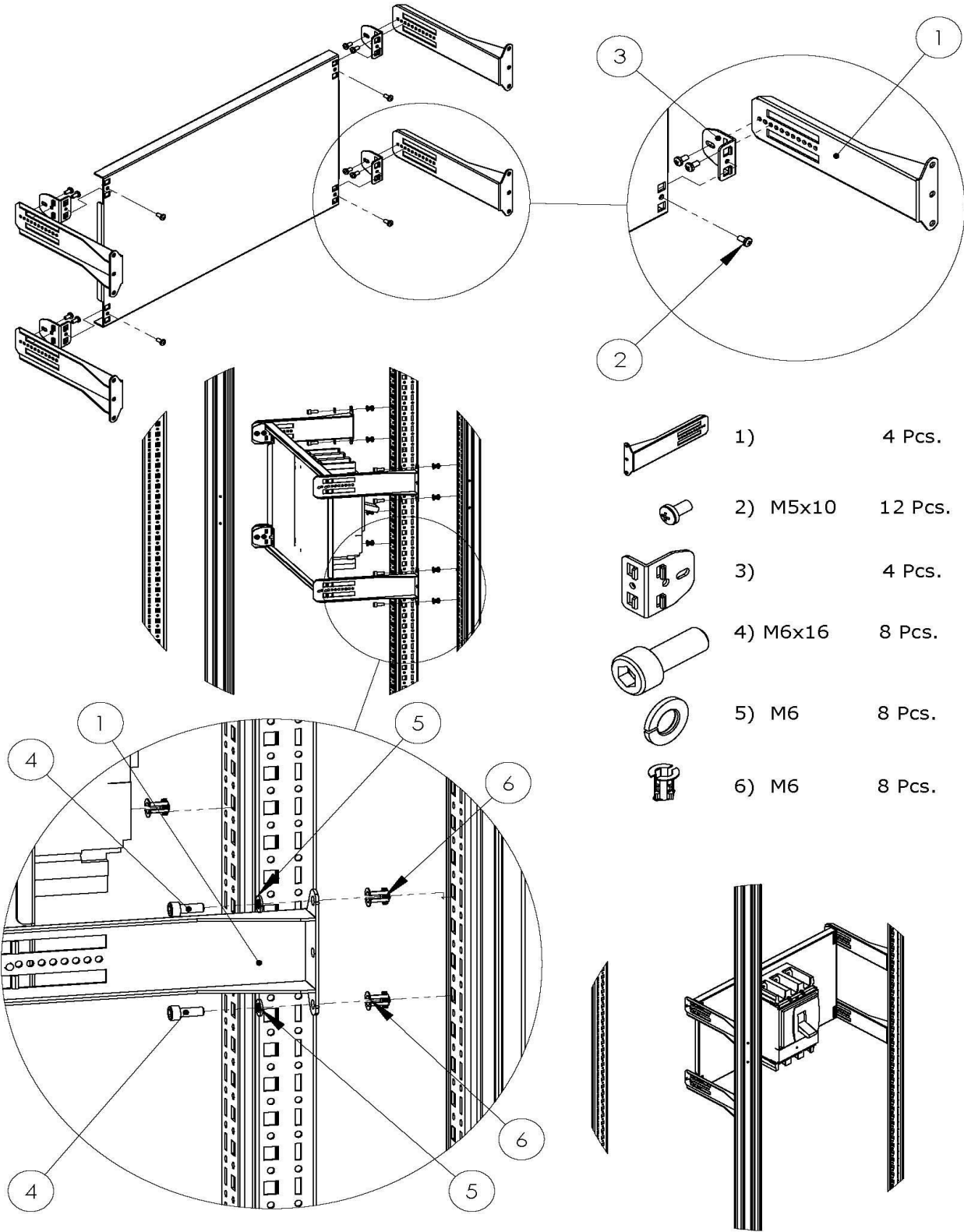
DOKÜMAN NO	KYT-058
REV. NO	0
SAYFA	68/47

**25A - 600A ŞALTER KİTİ**  
**25A - 630A MCCB KIT**



DOKÜMAN NO	KYT-058
REV. NO	0
SAYFA	68/48

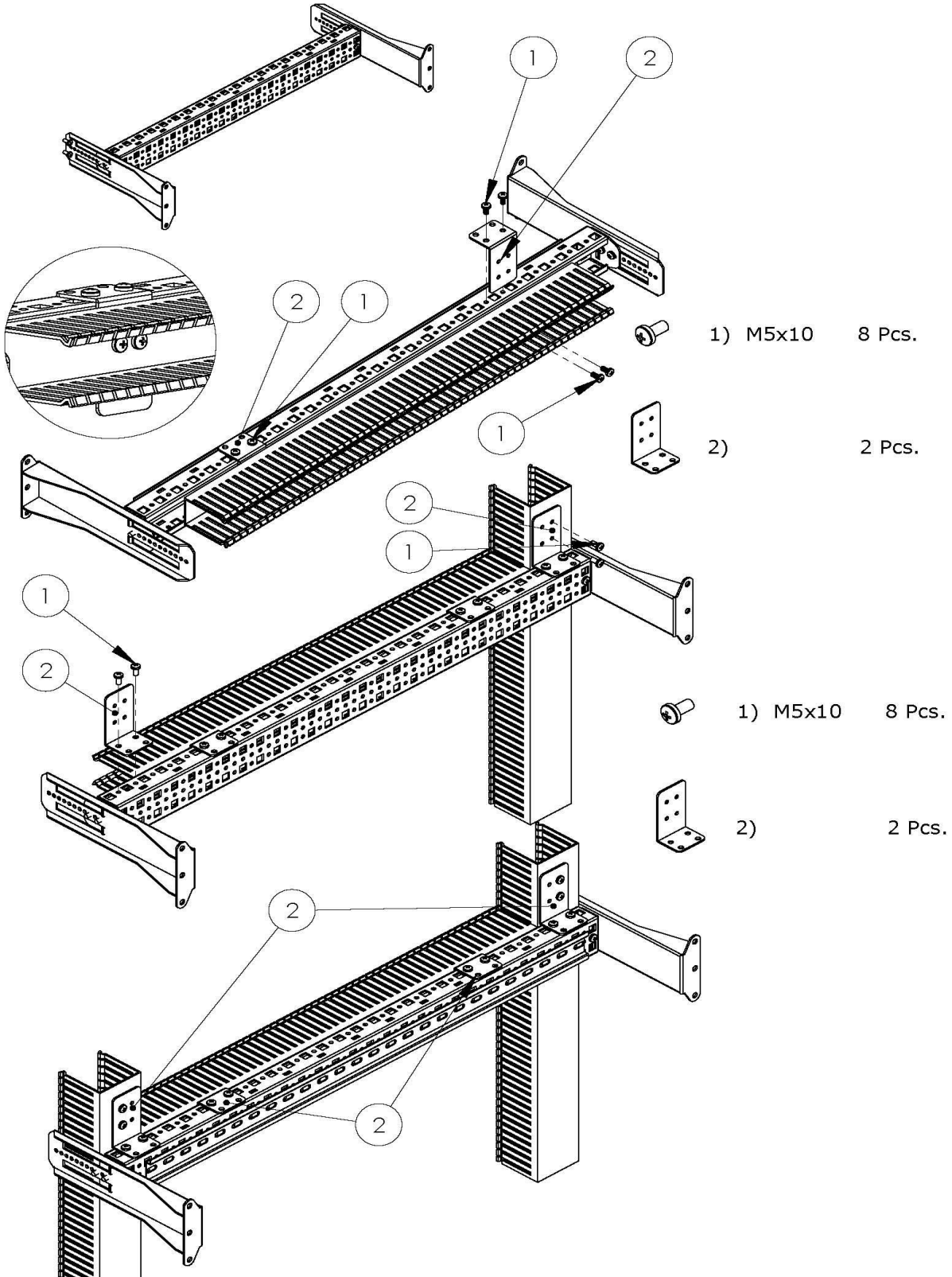
**25A - 630A ŞALTER KİTİ**  
**25A - 630A MCCB KIT**





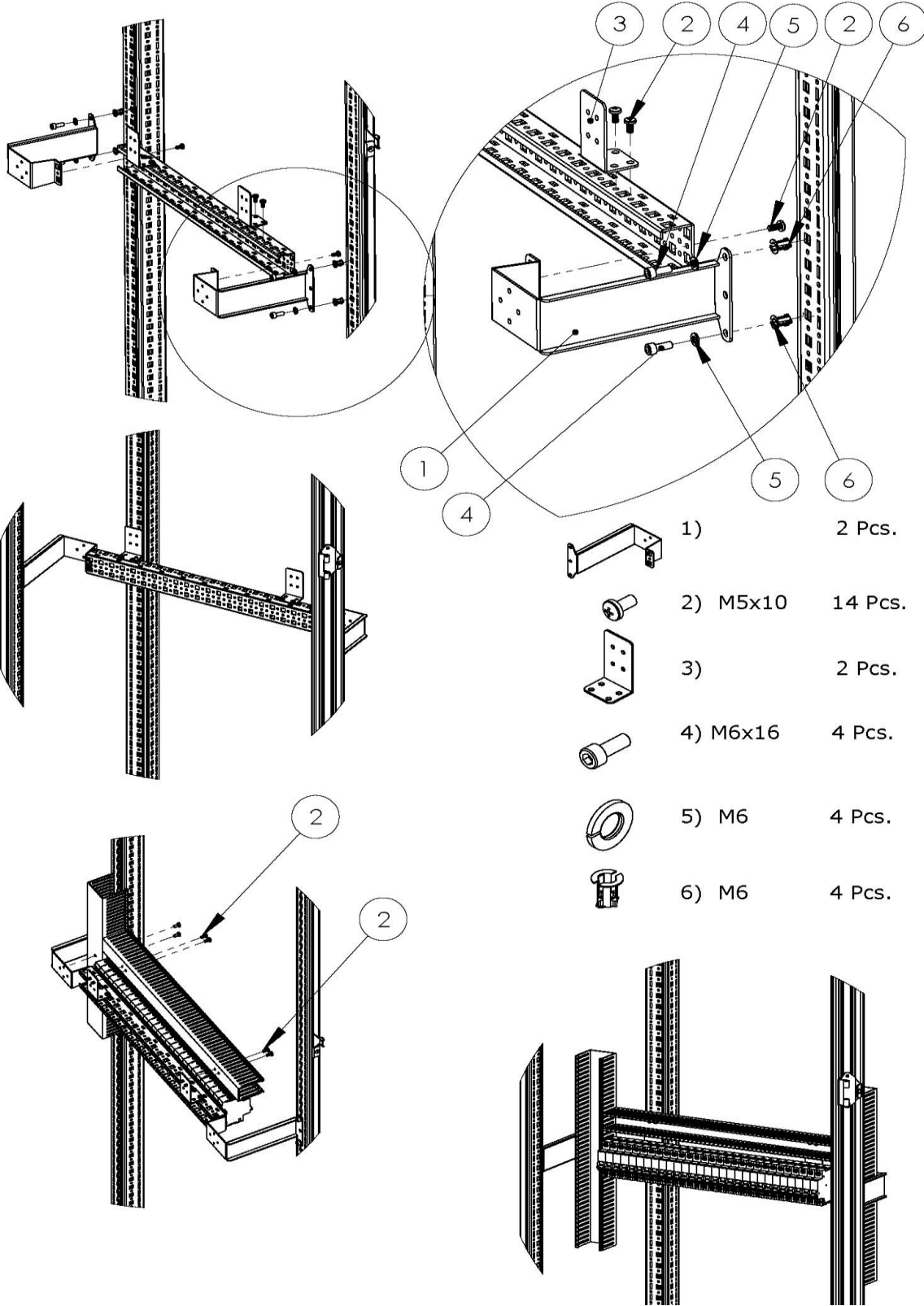
**SİĞORTA (OTOMAT) VE KLEMENS KİTİ (ARKA MONTAJLI KABLO KANALI)**  
MCB AND TERMINAL KIT (BACK-MOUNTED CABLE DUCT)

DOKÜMAN NO	KYT-058
REV. NO	0
SAYFA	68/49



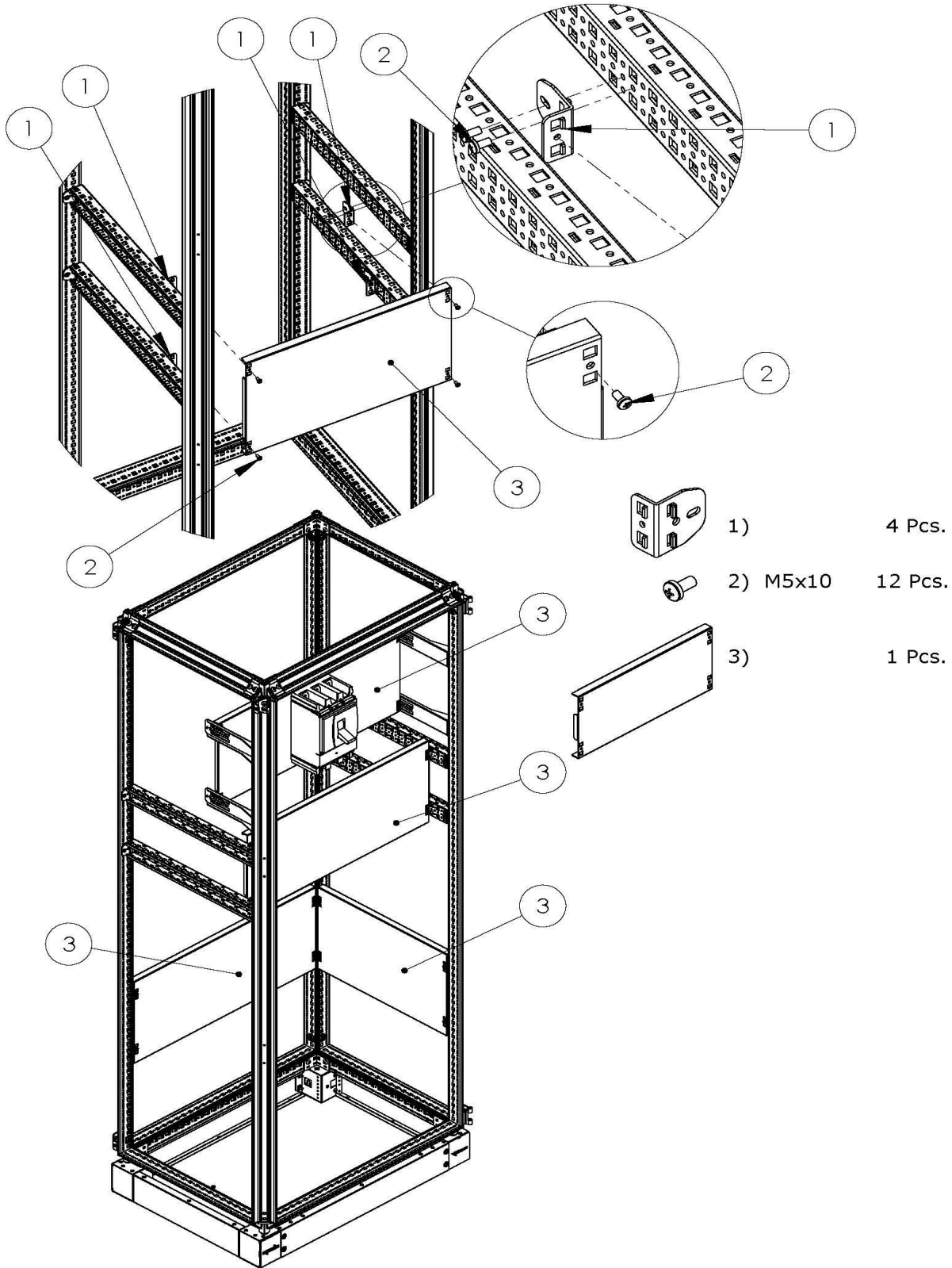
**SİGORTA (OTOMAT) KİTİ (ÖN MONTAJLI KABLO KANALI)**  
**MCB KIT (FRONT-MOUNTED CABLE DUCT)**

DOKÜMAN NO	KYT-058
REV. NO	0
SAYFA	68/50



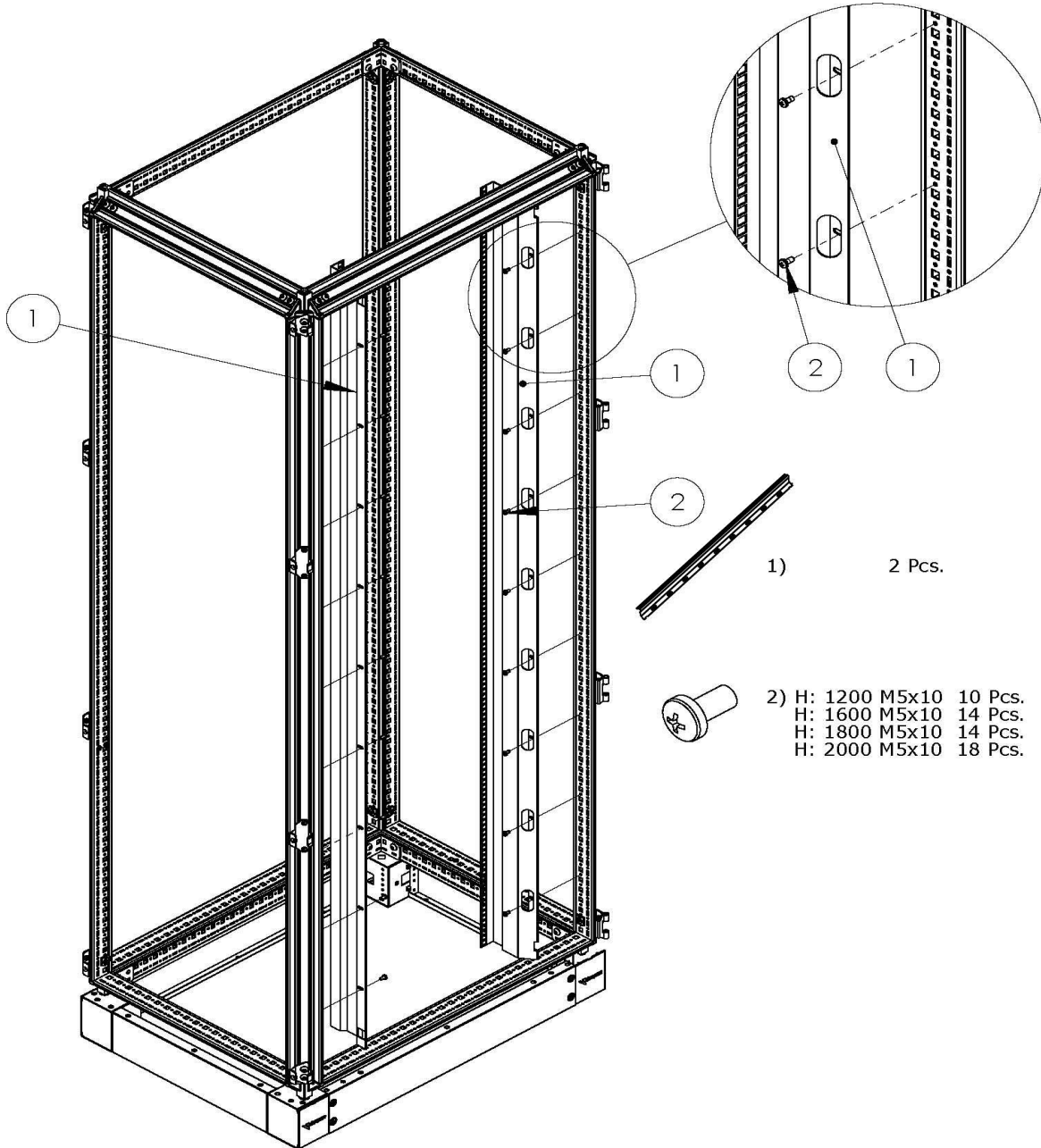
DOKÜMAN NO	KYT-058
REV. NO	0
SAYFA	68/51

**PARÇA MONTAJ PLAKASI**  
**PARTIAL MOUNTING PLATE**



İÇ KAPAK SİSTEMİ  
COVER PLATE SYSTEM

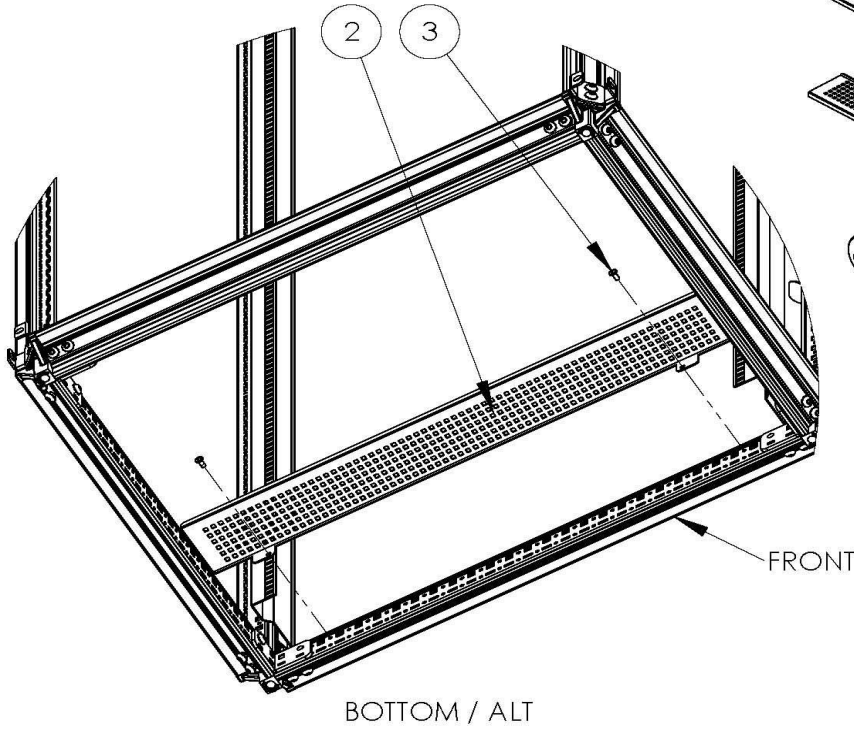
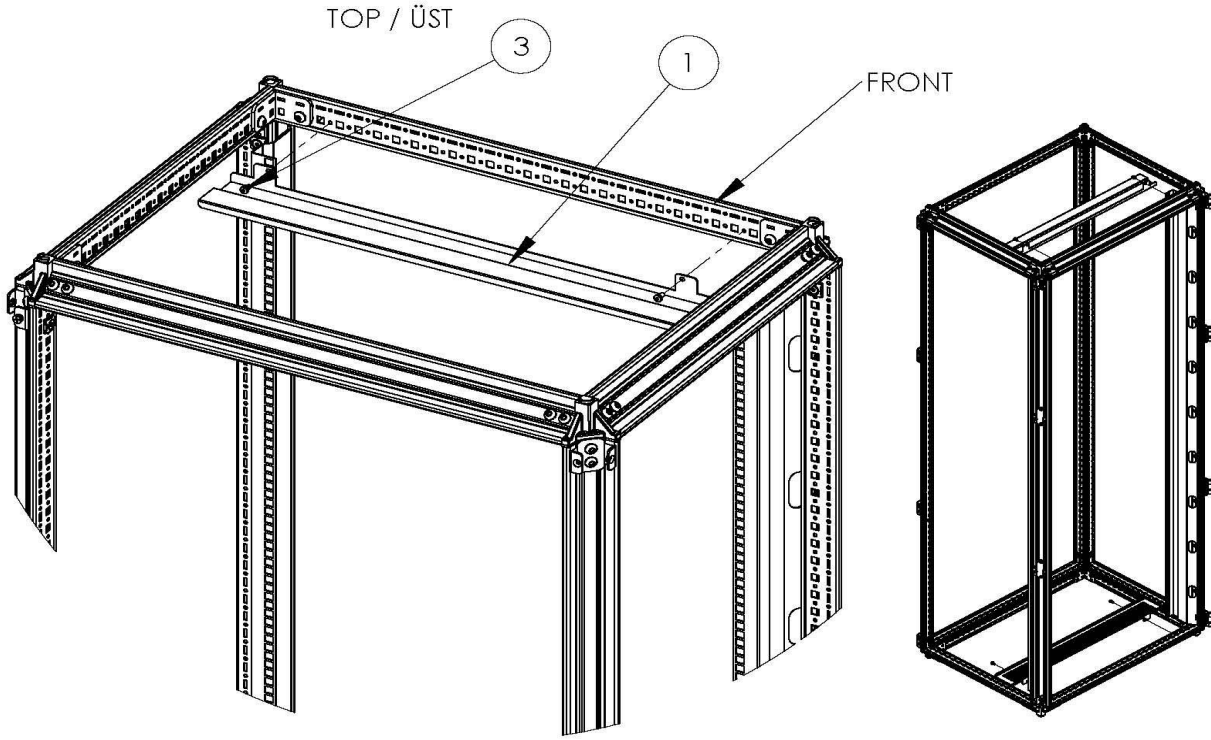
DOKÜMAN NO	KYT-058
REV. NO	0
SAYFA	68/52

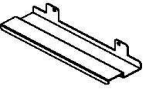
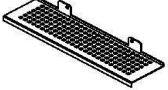
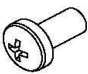




DOKÜMAN NO	KYT-058
REV. NO	0
SAYFA	68/53

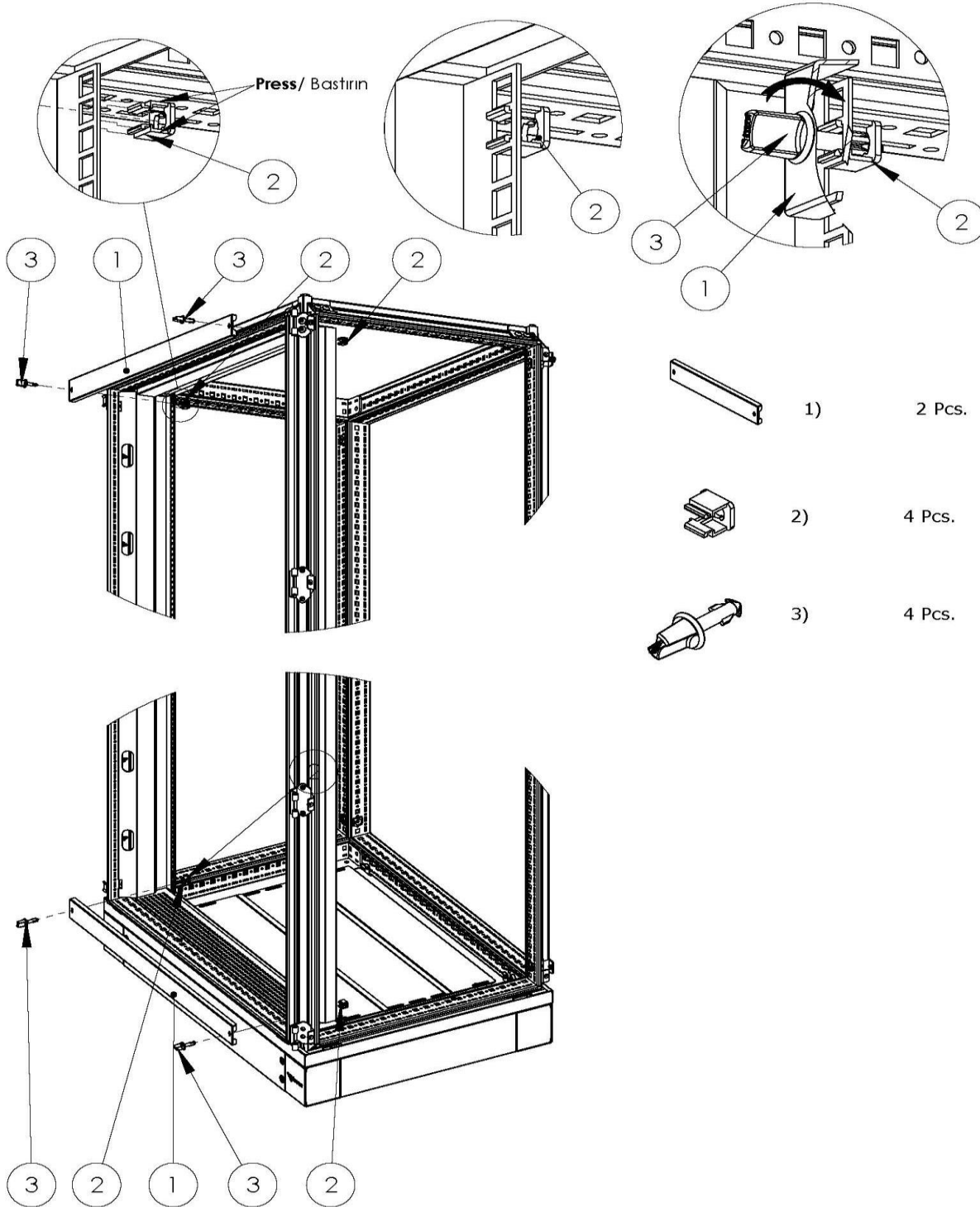
**İÇ KAPAK SİSTEMİ**  
COVER PLATE SYSTEM



-  1) 1 Pcs.
-  2) 1 Pcs.
-  3) M5x10 4 Pcs.

DOKÜMAN NO	KYT-058
REV. NO	0
SAYFA	68/54

**İÇ KAPAK SİSTEMİ**  
**COVER PLATE SYSTEM**

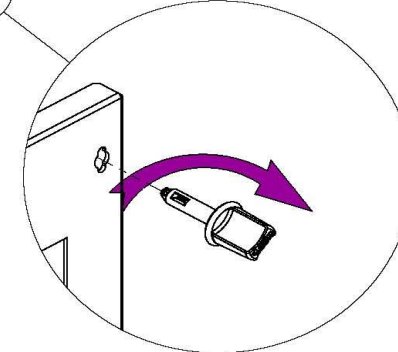
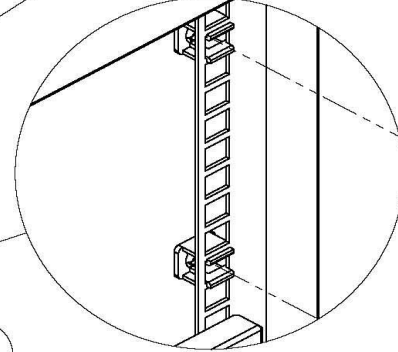
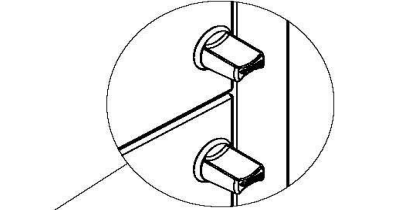
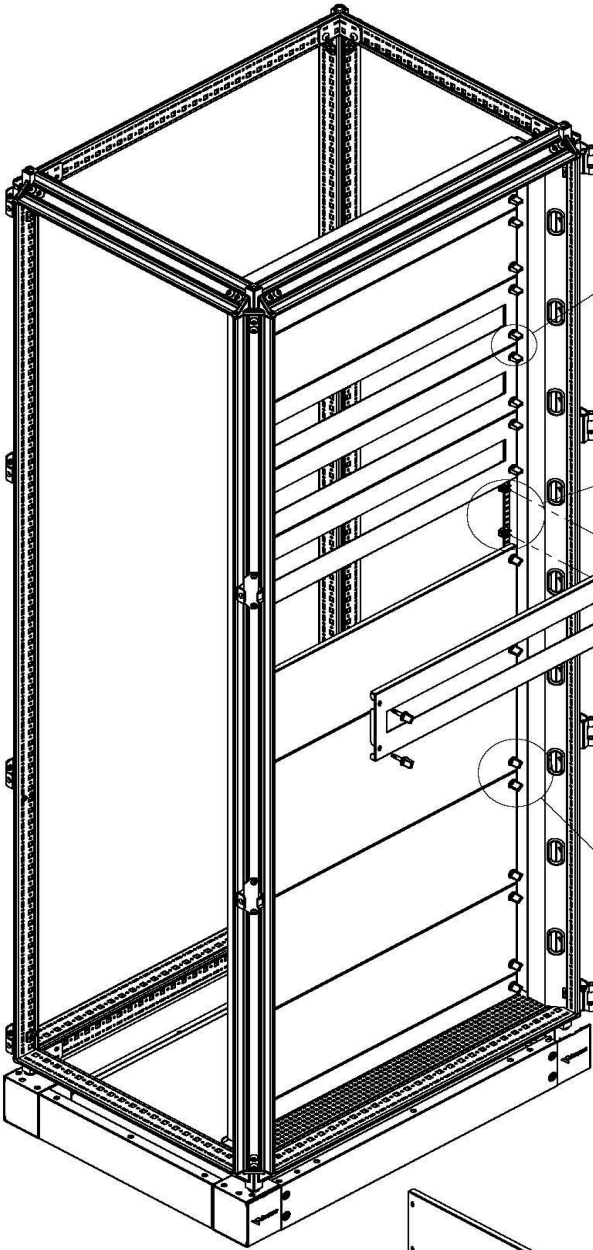




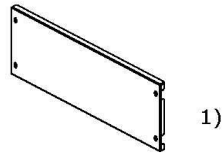
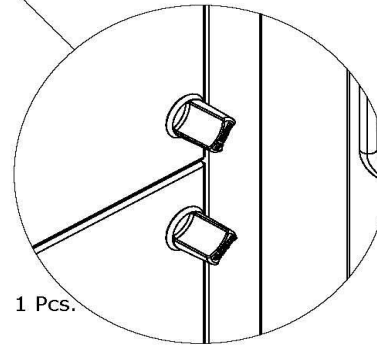
DOKÜMAN NO	KYT-058
REV. NO	0
SAYFA	68/55

**İÇ KAPAK SİSTEMİ**  
**COVER PLATE SYSTEM**

LOCK POSITION / KİLİTLİ POSİZYON

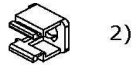


UNLOCK POSITION / AÇIK POSİZYON



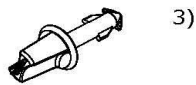
1)

1 Pcs.



2)

4 Pcs.

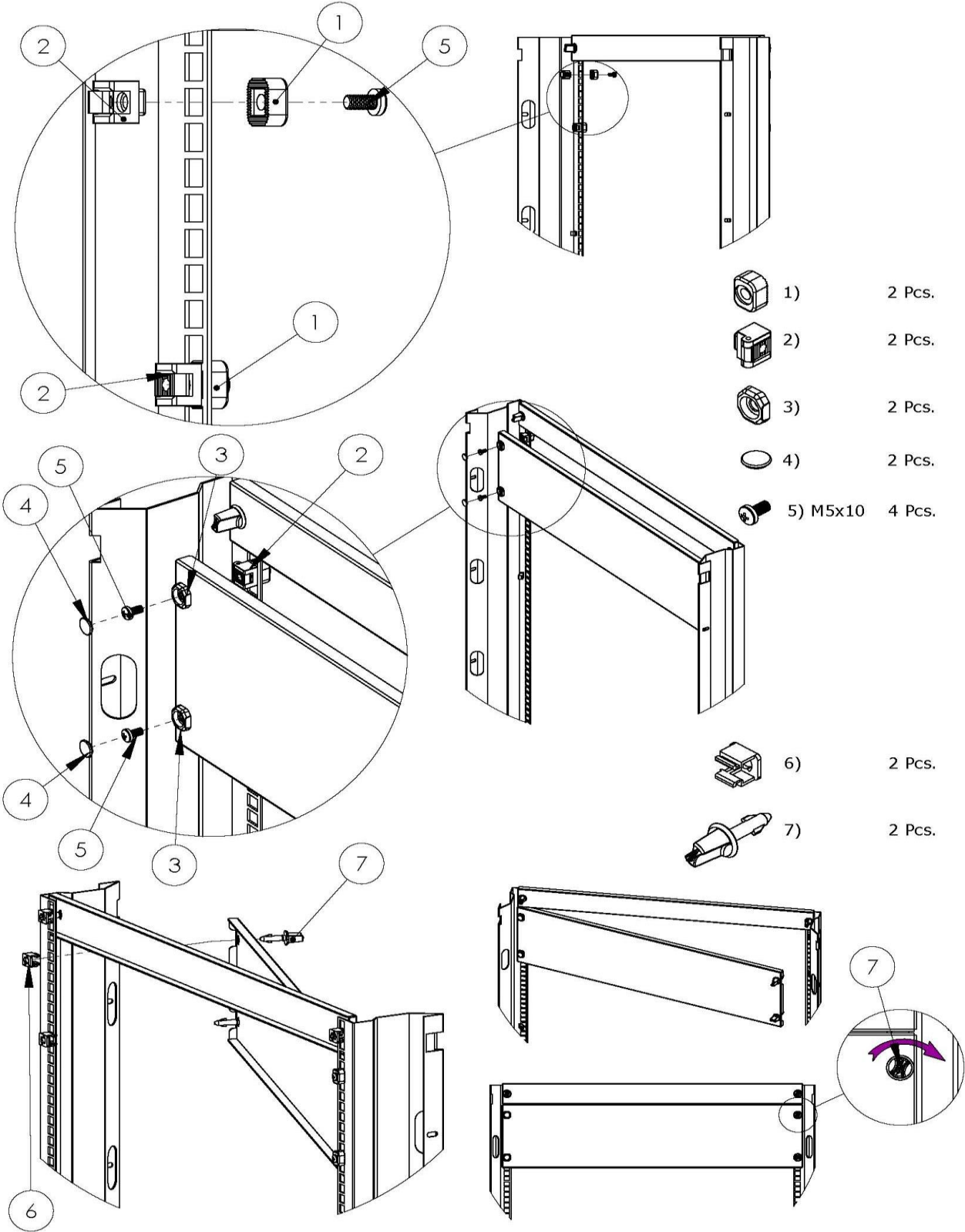


3)

4 Pcs.

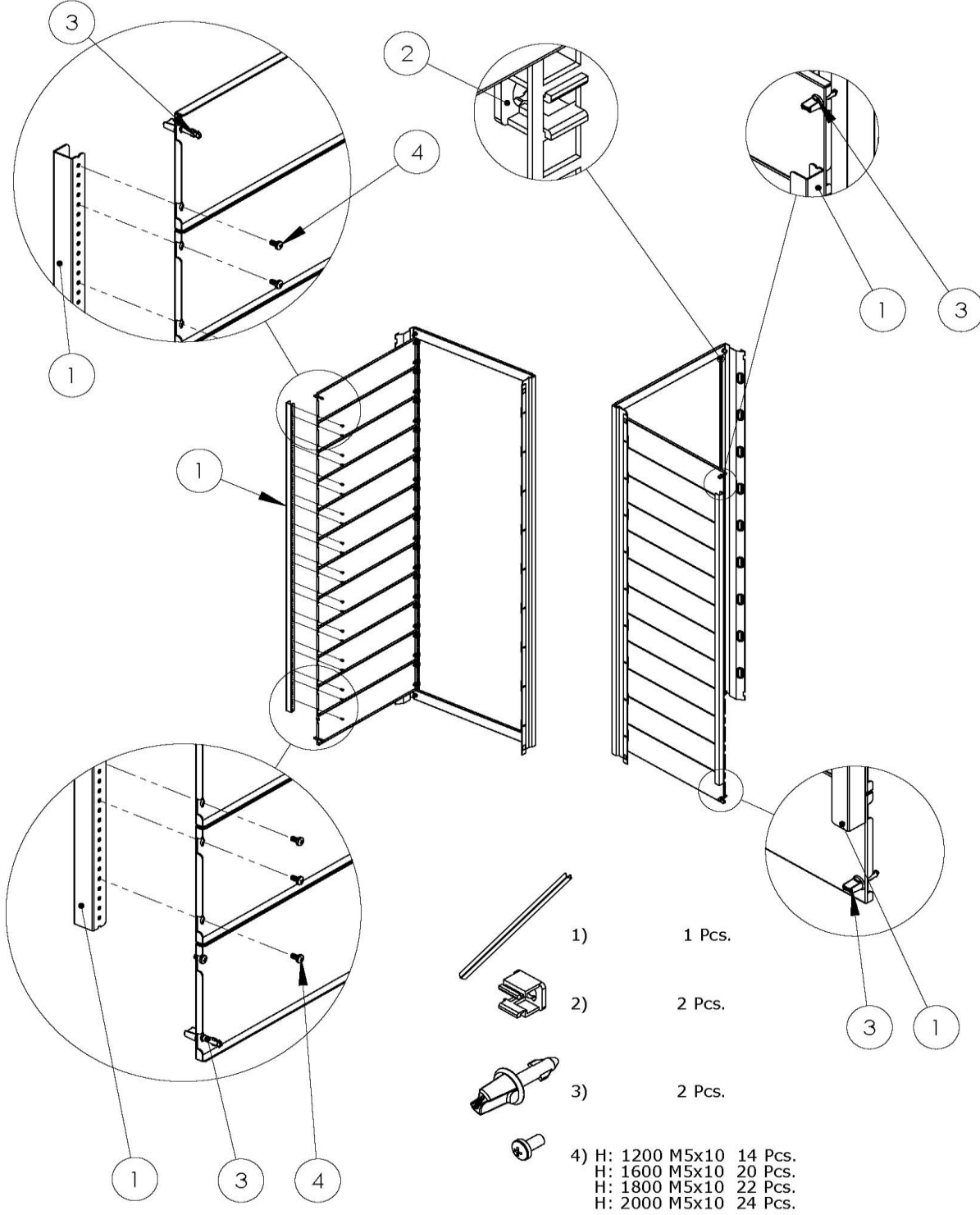
DOKÜMAN NO	KYT-058
REV. NO	0
SAYFA	68/56

**İÇ KAPAK SİSTEMİ**  
COVER PLATE SYSTEM



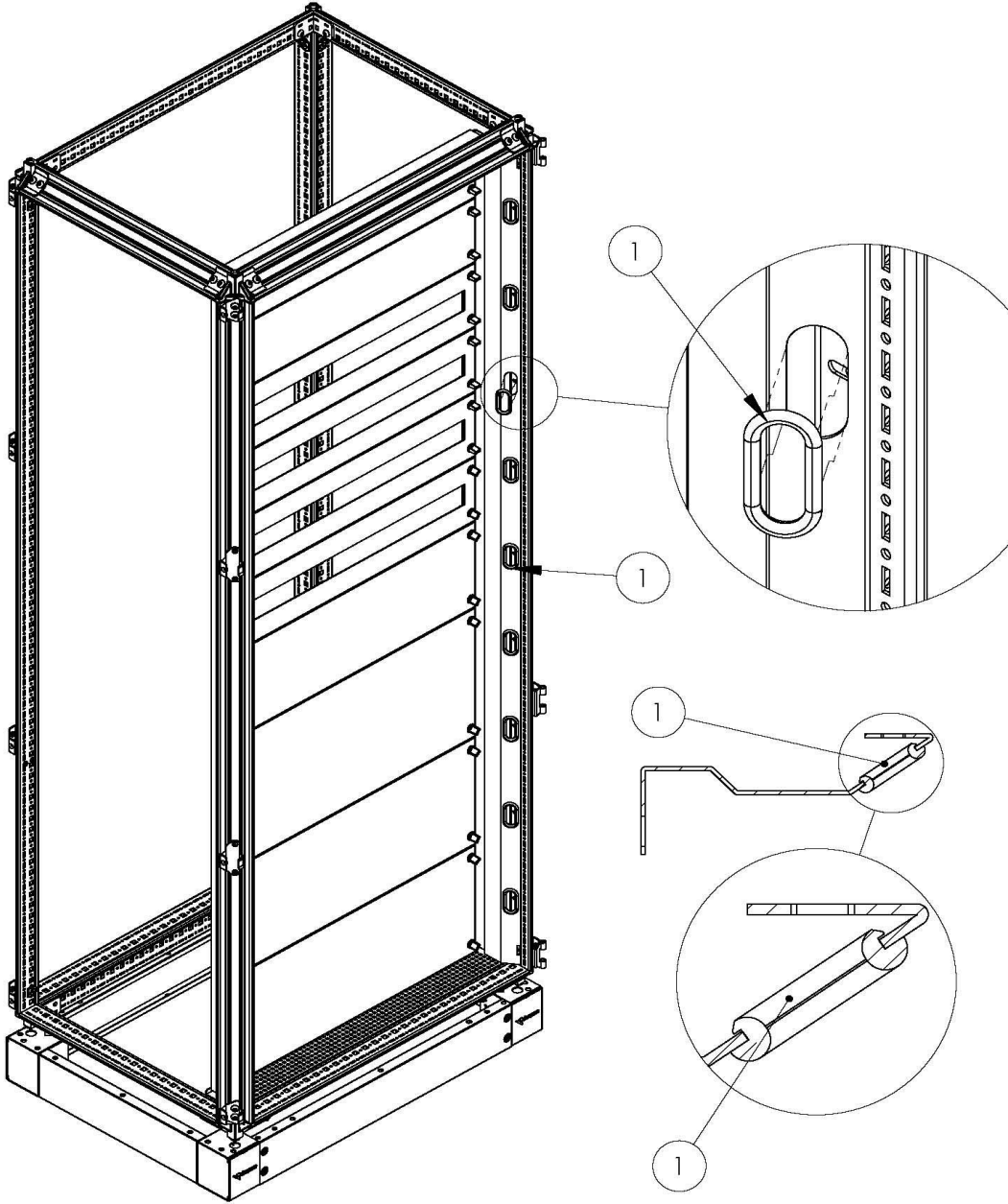
İÇ KAPAK SİSTEMİ  
COVER PLATE SYSTEM

DOKÜMAN NO	KYT-058
REV. NO	0
SAYFA	68/57



**İÇ KAPAK SİSTEMİ**  
COVER PLATE SYSTEM

DOKÜMAN NO	KYT-058
REV. NO	0
SAYFA	68/58

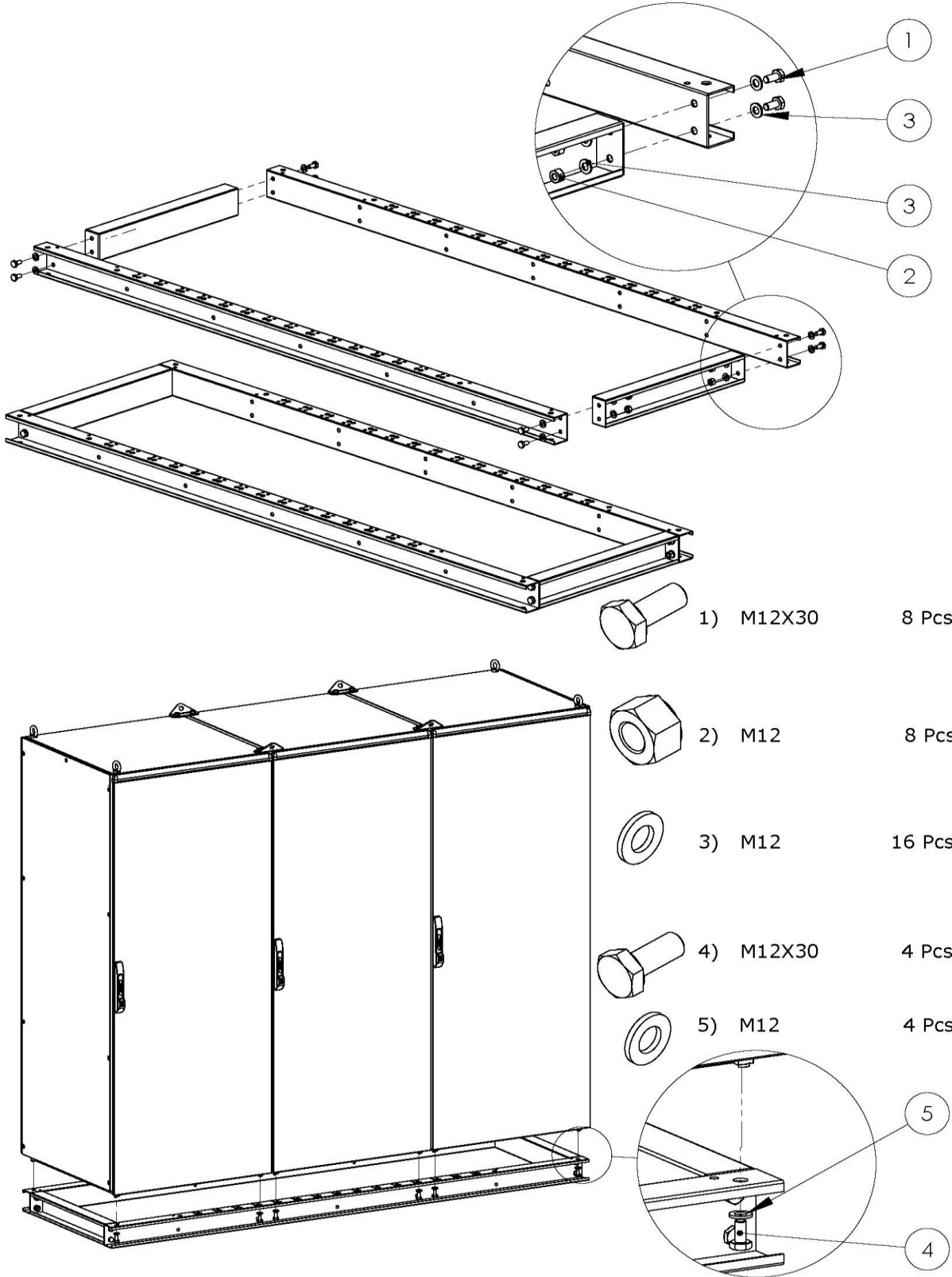


1) Standart

4 Pcs.

DOKÜMAN NO	KYT-058
REV. NO	0
SAYFA	68/59


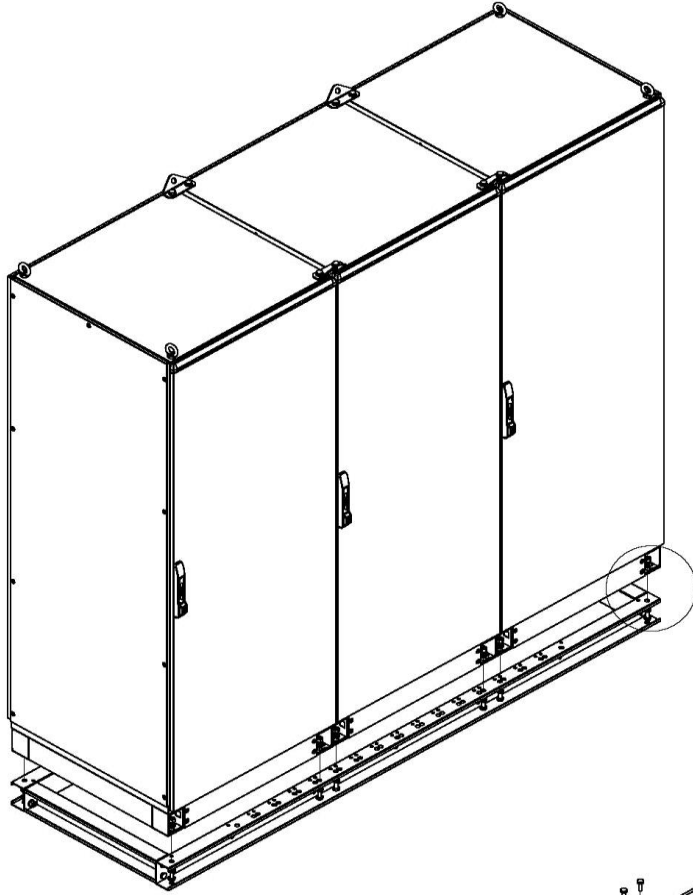

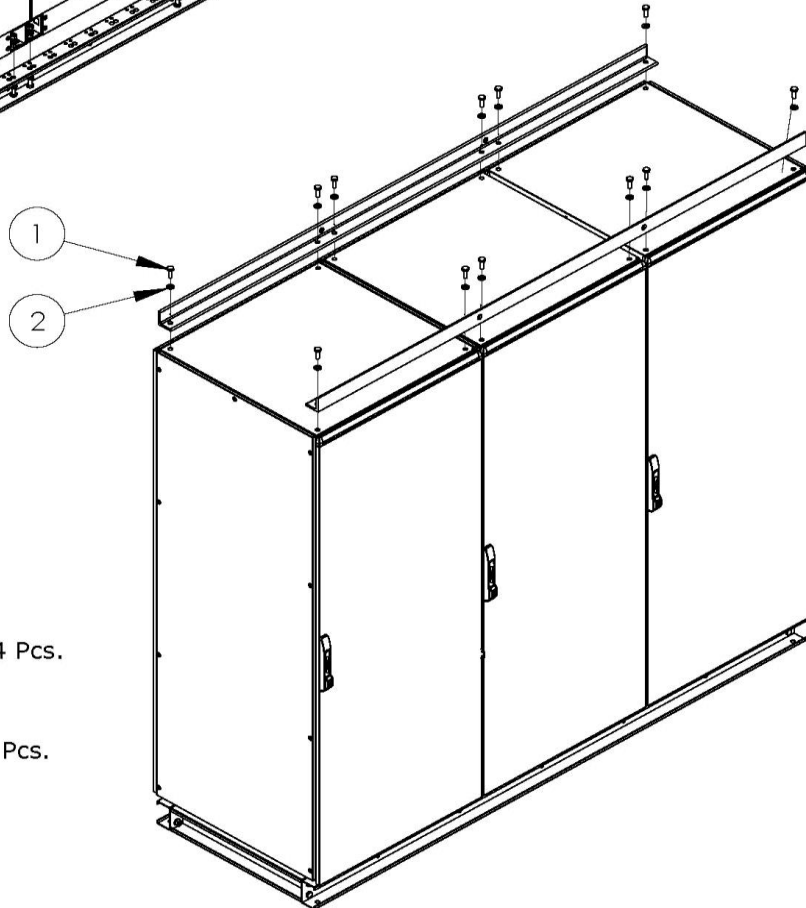
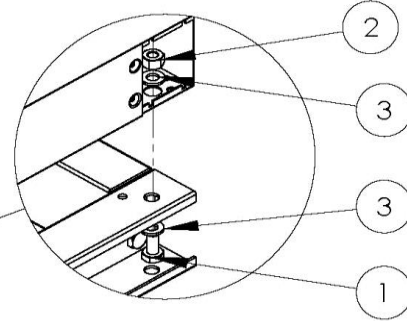
**SABİT BAZA**  
FIXED PLINTH





**SABİT BAZA / ÜST KÖŞEBENT BAĞLANTI**  
FIXED PLINTH / TOP ANGLE IRON COMBINATION

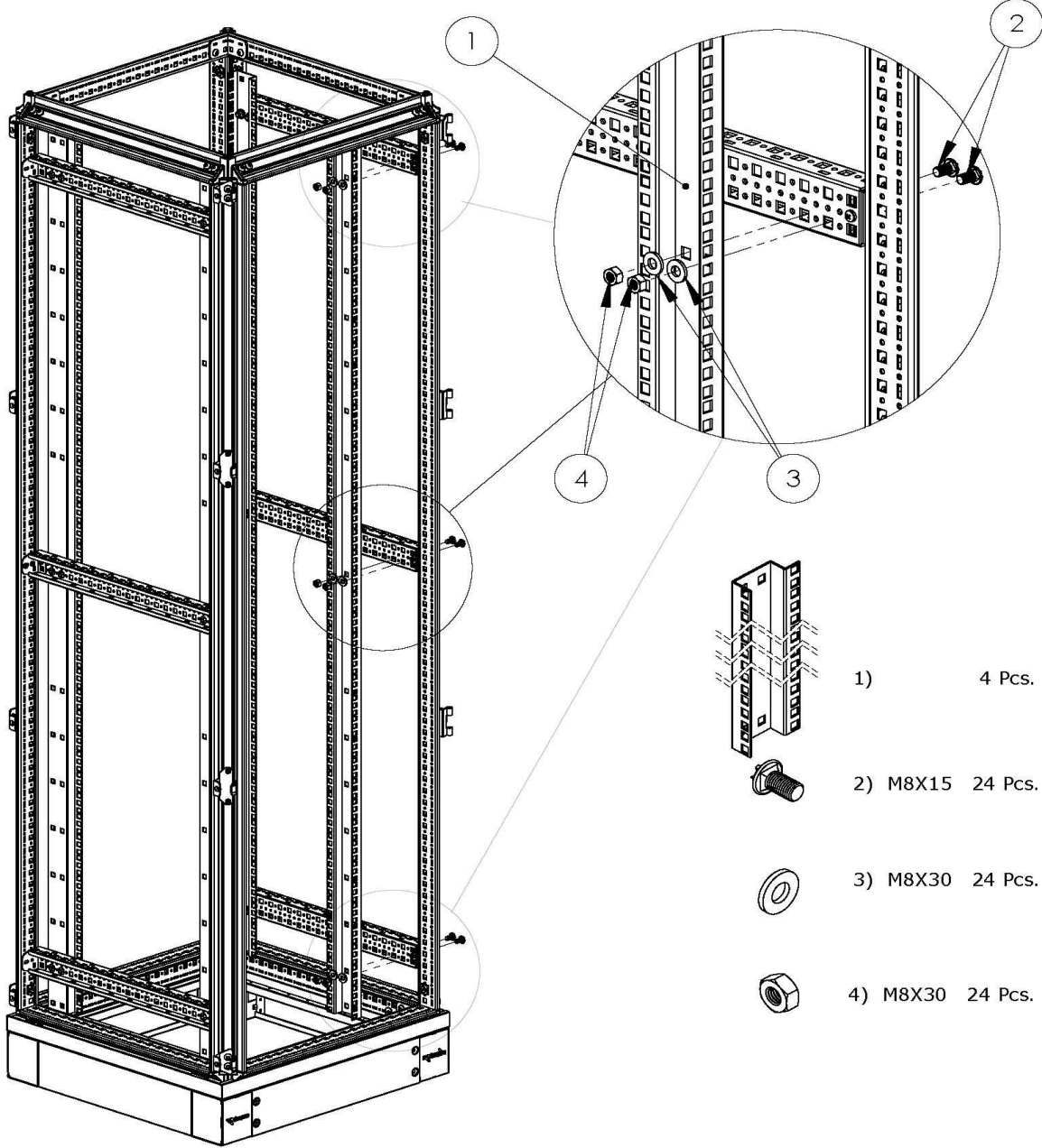
DOKÜMAN NO	KYT-058
REV. NO	0
SAYFA	68/60

 1) M12X30 4 Pcs. 2) M12 4 Pcs. 3) M12 8 Pcs. 1) M12X30 4 Pcs. 3) M12 4 Pcs.

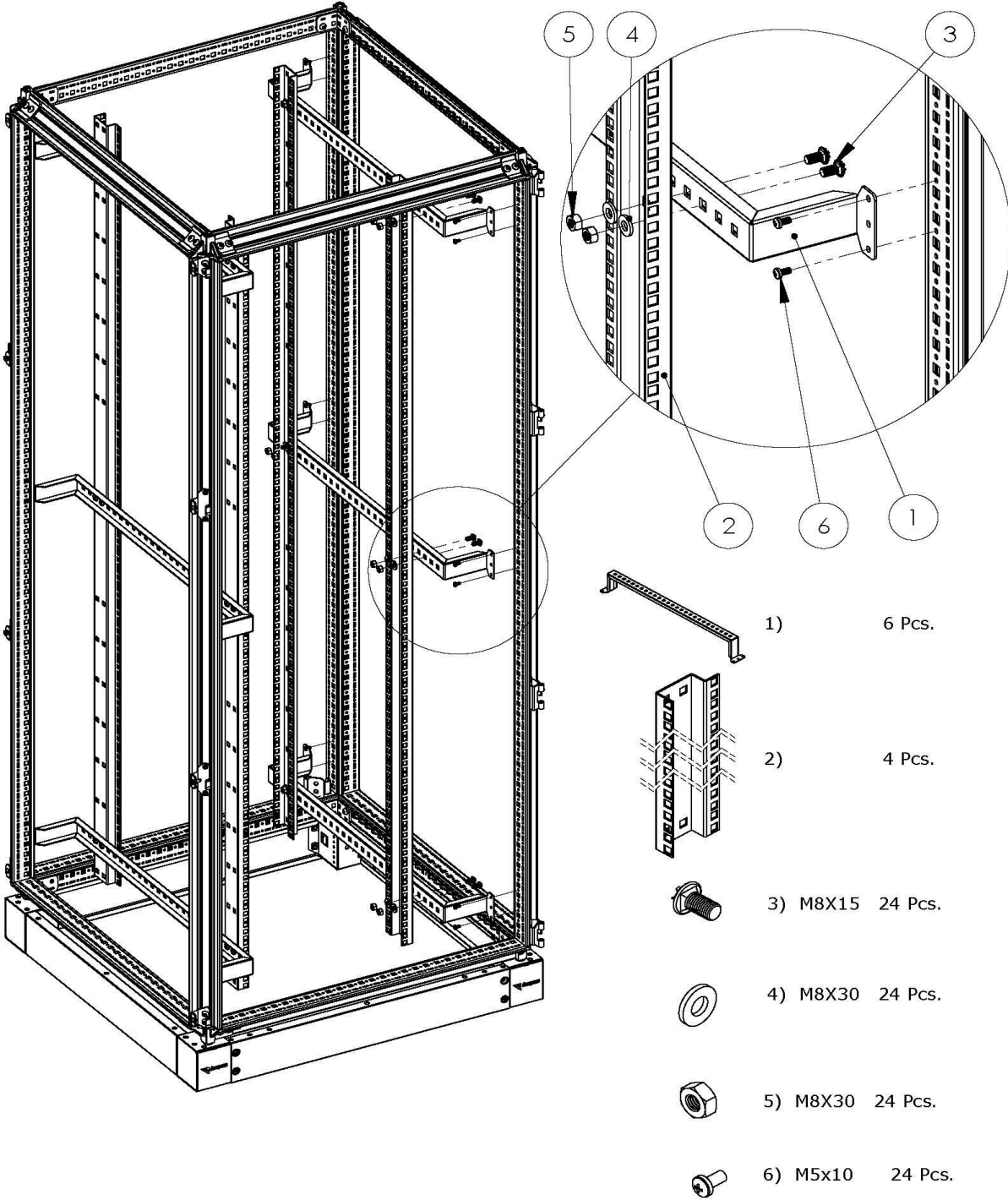


DOKÜMAN NO	KYT-058
REV. NO	0
SAYFA	68/61

19" BAĞLANTI PROFİLLERİ  
19" COMBINATION PROFILES

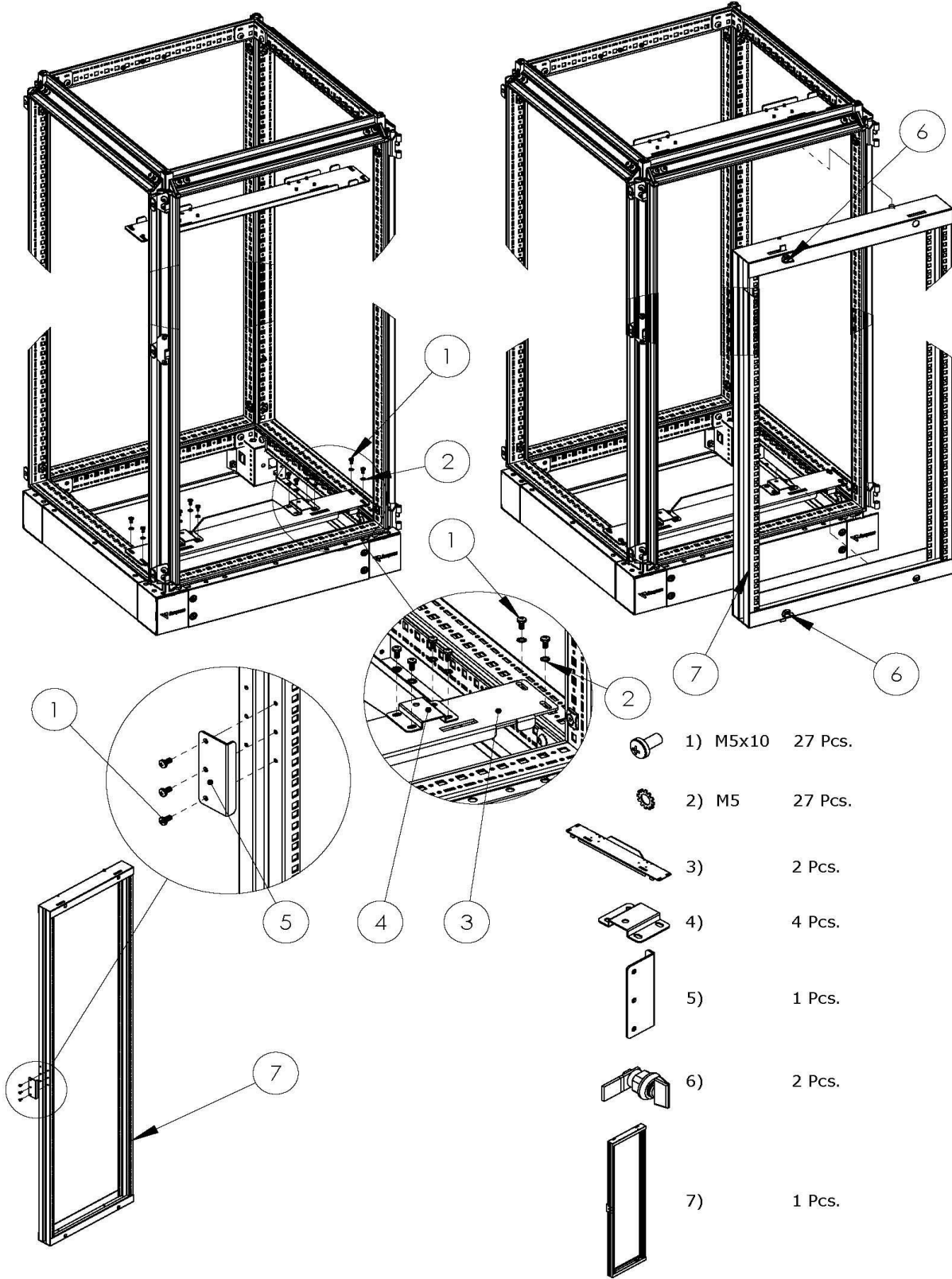


DOKÜMAN NO	KYT-058
REV. NO	0
SAYFA	68/62

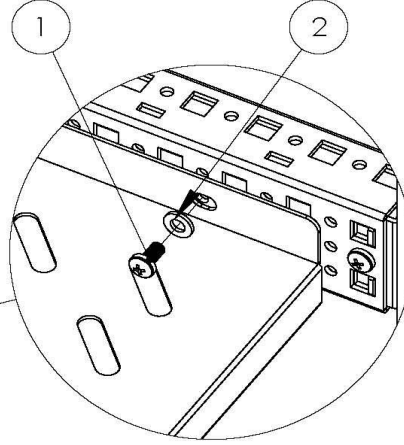
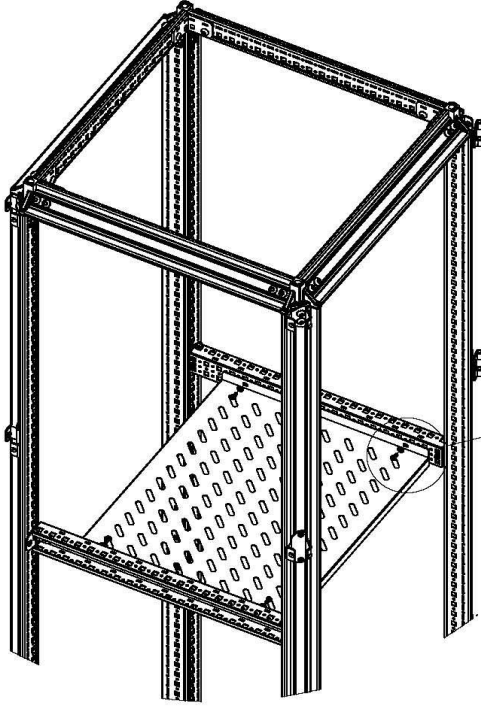
**19" BAĞLANTI PROFİLLERİ**  
19" COMBINATION PROFILES

DOKÜMAN NO	KYT-058
REV. NO	0
SAYFA	68/63

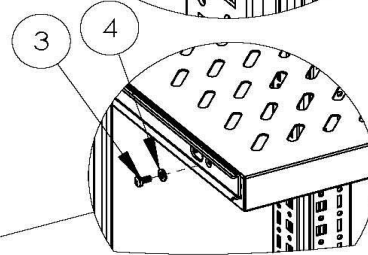
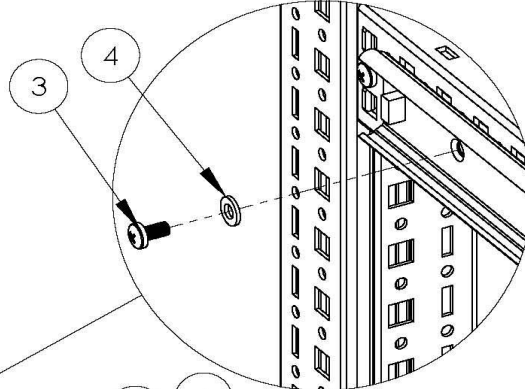
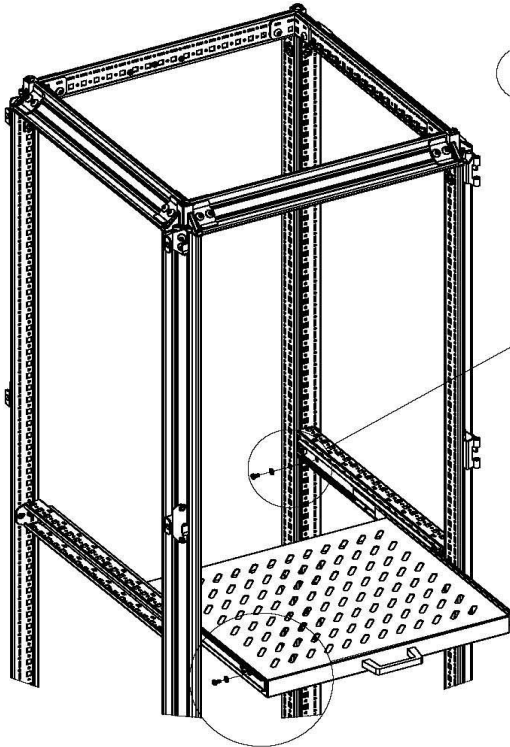
**19" SWING FRAME**  
**19" SWING FRAME**



DOKÜMAN NO	KYT-058
REV. NO	0
SAYFA	68/64

**SABİT ve HAREKETLİ RAF**  
FIXED and MOVABLE SHELF

- 1) M5x10 4 Pcs.  
2) M5 4 Pcs.

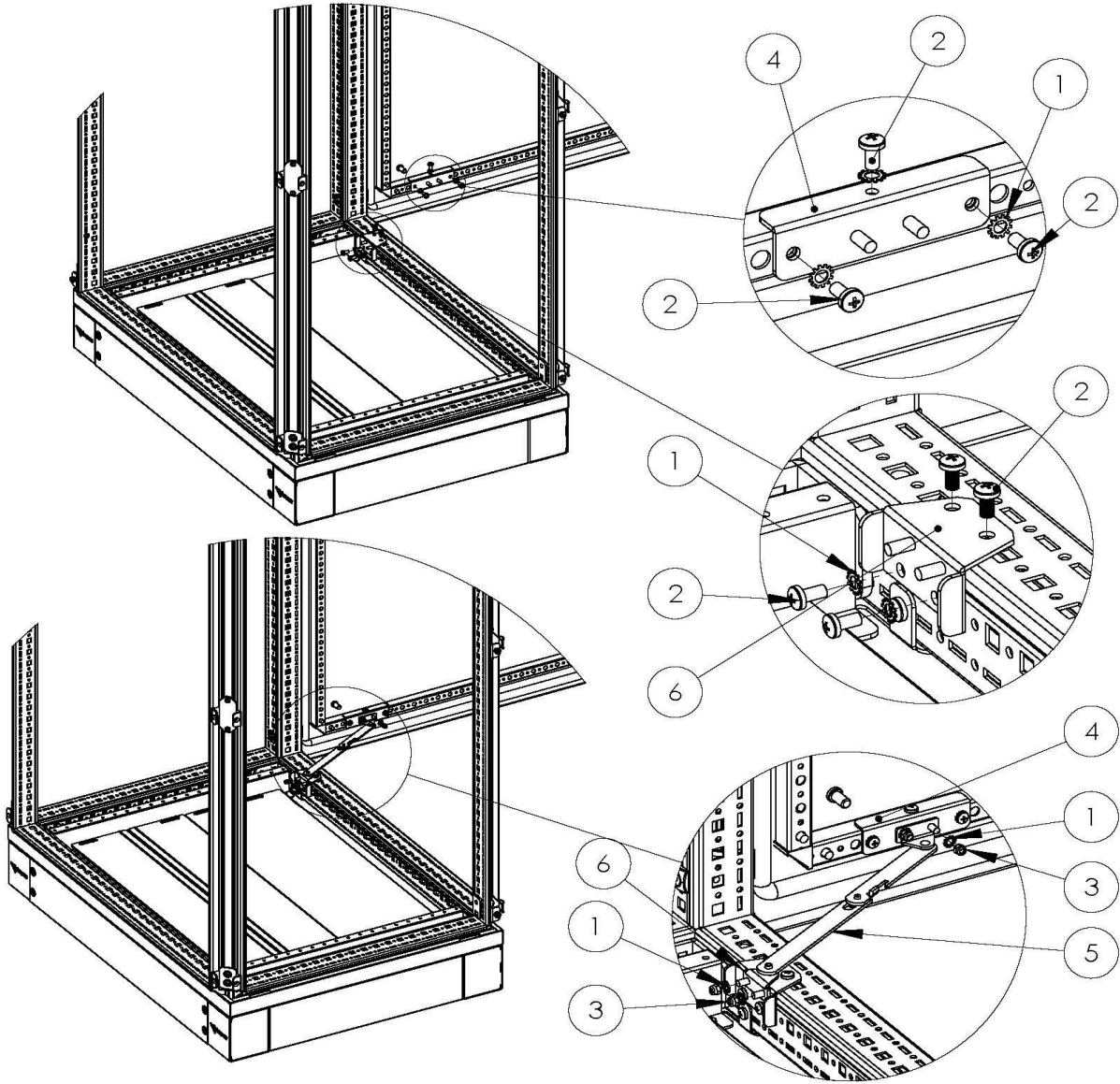



- 3) M5x10 8 Pcs.  
4) M5 8 Pcs.





DOKÜMAN NO	KYT-058
REV. NO	0
SAYFA	68/65

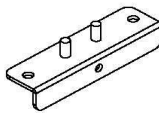
**KAPI DURDURUCU**  
**DOOR STOPPER**

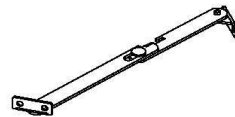


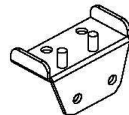
 1) 9 Pcs.

 2) M5x10 7 Pcs.

 3) M5 4 Pcs.

 4) 1 Pcs.

 5) 1 Pcs.

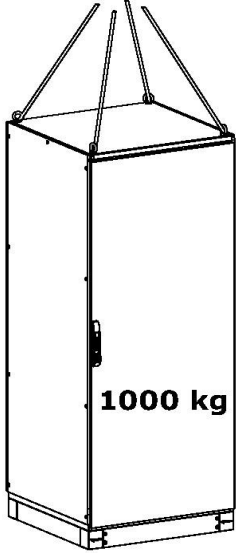
 6) 1 Pcs.



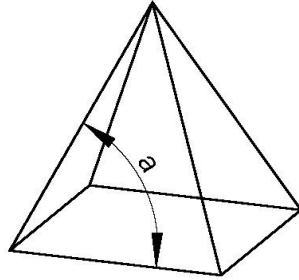
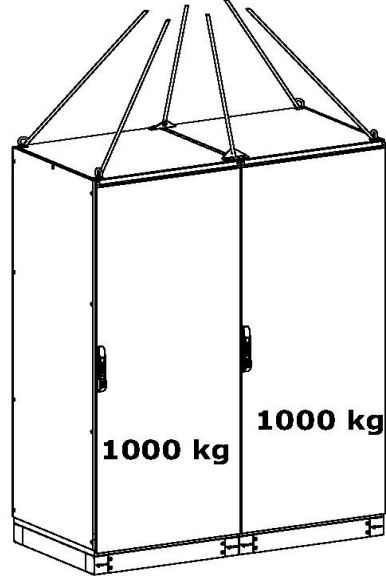
**TAŞIMA TALİMATI. (Neo MB & Neo Moduler)**  
LIFTING INSTRUCTION

DOKÜMAN NO	KYT-058
REV. NO	0
SAYFA	68/66

**1000 kg**

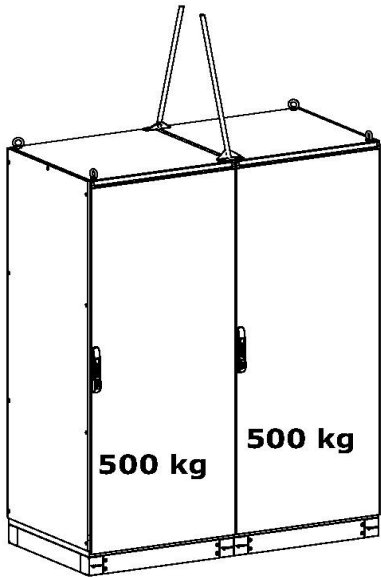


**2000 kg**

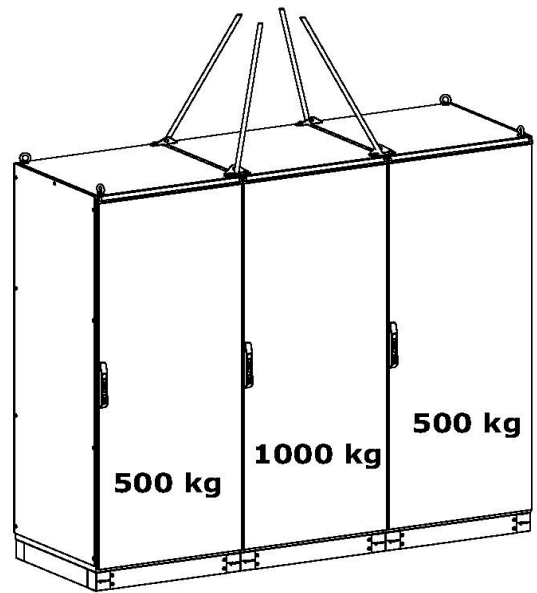


IDEAL  $\alpha \geq 90^\circ$   
MIN  $\alpha \geq 75^\circ$

**1000 kg**

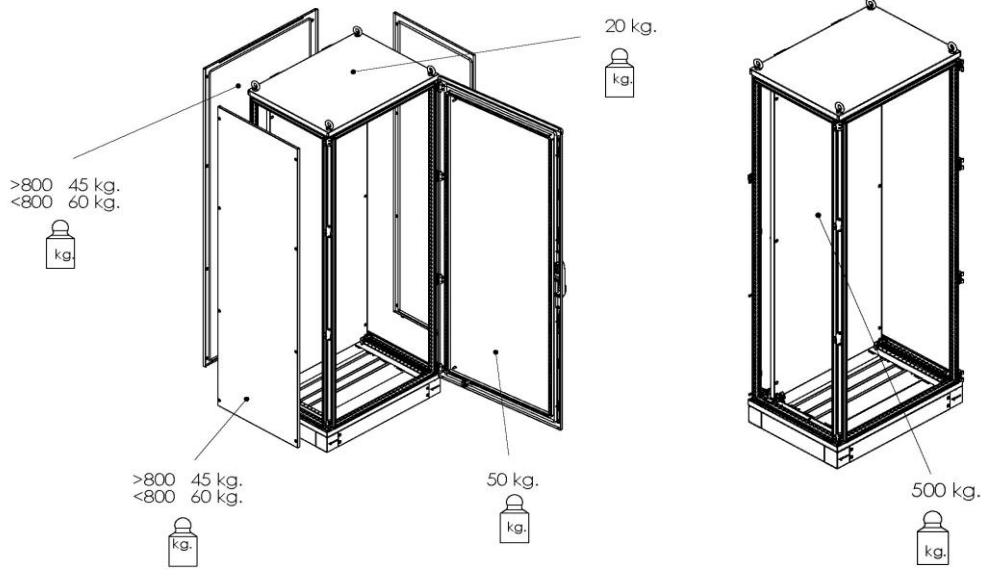
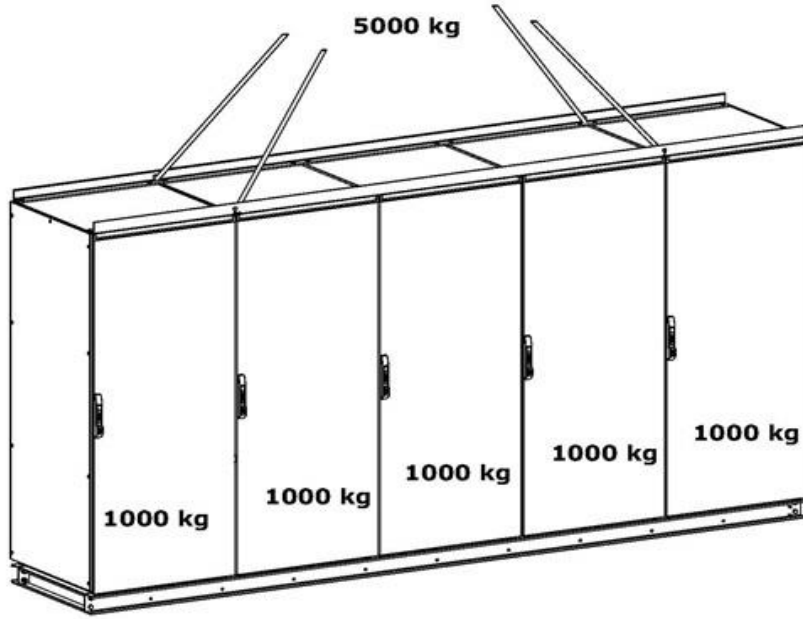


**2000 kg**



**YÜKLEME TALİMATI TALİMATI. (Neo MB & Neo Moduler)**  
LOADING INSTRUCTION

DOKÜMAN NO	KYT-058
REV. NO	0
SAYFA	68/67



\* Kesilebilir atkı sistemi kullanılarak 500 kg. ek yük montaj edilebilir.

\* By using plug-in rail brackets and scissile rails inside the enclosure extra 500 kg. can be loaded.

DOKÜMAN NO	KYT- 058
REV. NO	0
SAYFA	68/68

## KT SERİSİ KLEMENS KUTULARI KT SERIE TERMINAL BOXES



## PC SERİSİ BİLGİSAYAR KABİNİ PC SERIE PC CABINET



## DM SERİSİ DUVAR TİP PANOLAR DM SERIE WALL MOUNTED ENCLOSURES



## HC SERİ DIŐ ORTAM KABİNLERİ HC SERIE OUTDOOR CABINETS



## ARES SERİSİ DUVAR TİP PANOLAR ARES SERIE WALL MOUNTED ENCLOSURES



## RC SERIE NETWORK KABİNLER RC SERIE NETWORK CABINETS



## KMT, KMP SERİSİ KUMANDA MASALARI KMT, KMP SERIES CONTROL DESKS



## PASLANMAZ PANOLAR STAINLESS STEEL ENCLOSURES



## TEKPAN TEKNİK ELEKTRİK KUMANDA PANO SANAYİ ve TURİZM LTD. ŐTİ

FABRİKA : Ankara asfaltı 14.Km. İstiklal mah. 17.Sk. No:8 Ulucak-Kemalpaőa / İZMİR TURKEY

Tel: +90 232 877 18 77 Fax: +90 232 877 13 48

info@tekpan.com.tr - export@tekpan.com.tr

[www.tekpan.com.tr](http://www.tekpan.com.tr)