

- ▼ Distance between the busbar supports can be adjusted with 25mm steps.
- ▼ Easy mounting.
- ▼ Cost-effective solution.
- ▼ Operating range between -40°C and +130°C.
- ▼ Halogen-free.
- ▼ Fire protection in line UL 94 VO standard.

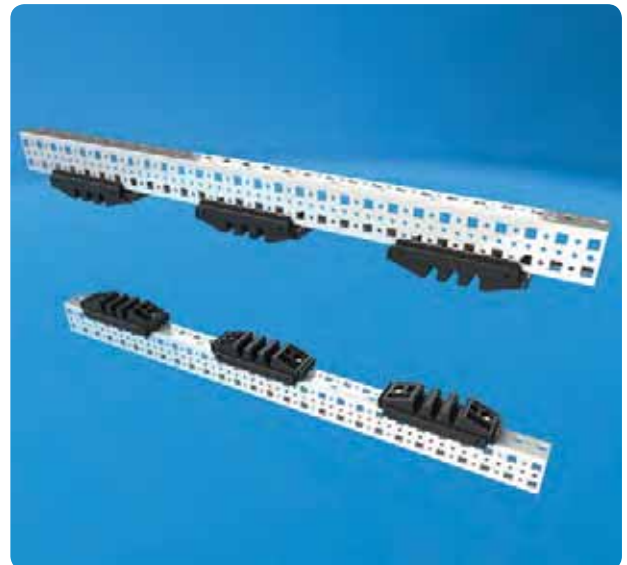
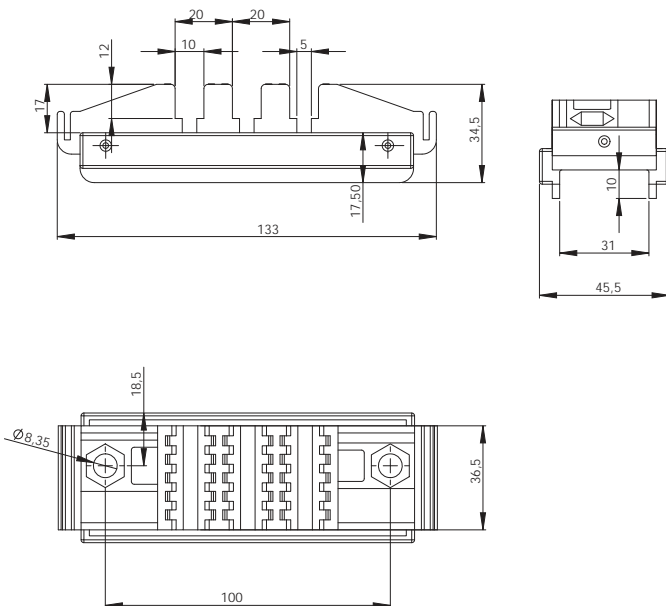
- ▼ Applicable to 5-10mm busbar cross-sections.
- ▼ Applicable to 30-120mm busbar sizes.
- ▼ Used in applications between 400A-4500A.
- ▼ 3 pcs flat copper application.

**Material** : Fibre-reinforced polyamid.

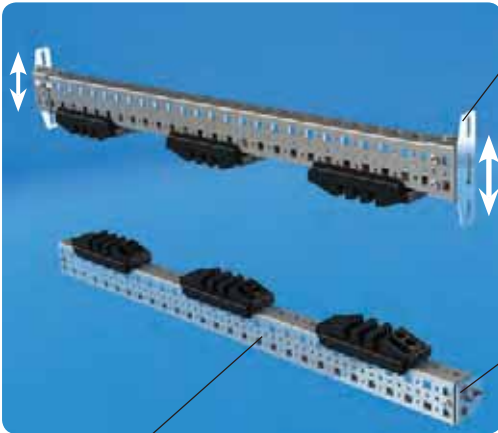
**Supply includes** : 2 pcs busbar support and combination screws.

**References No** : Plug in type : **600.001** (1 set: 2 pcs)  
Open type : **600.101** (1 set: 2 pcs)

- ▼ Please see page 141 for application modes.



1 APPLICATION

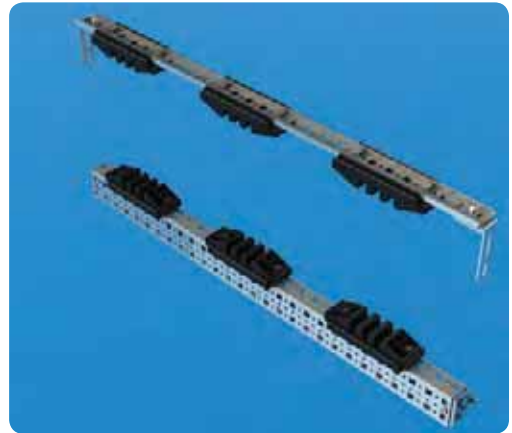


○ Adjustable Rail Bracket, Type T, page 97

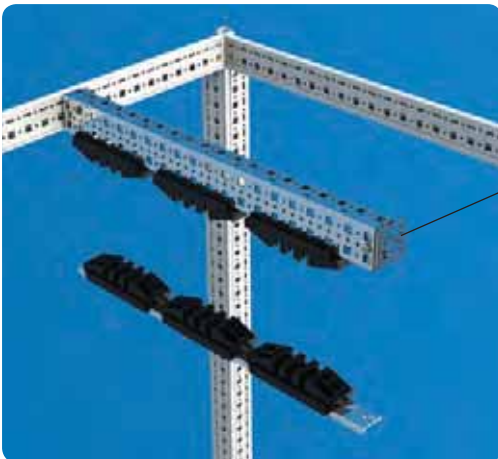
○ Plug-in Rail Bracket, page 96

○ 50x25 Scissile Rail page 94

2 APPLICATION



3 APPLICATION



○ Adjustable Rail Bracket, Type L, page 98

Adjustable Rail Bracket, ○  
Type L, page 98

4 APPLICATION

